



US00D976254S

(12) **United States Design Patent** (10) **Patent No.:** **US D976,254 S**
Akana et al. (45) **Date of Patent:** **** Jan. 24, 2023**

(54) **ELECTRONIC DEVICE**

(71) Applicant: **Apple Inc.**, Cupertino, CA (US)

(72) Inventors: **Jody Akana**, San Francisco, CA (US); **Molly Anderson**, San Francisco, CA (US); **Bartley K. Andre**, Palo Alto, CA (US); **Shota Aoyagi**, San Francisco, CA (US); **Anthony Michael Ashcroft**, San Francisco, CA (US); **Marine C. Bataille**, San Francisco, CA (US); **Jeremy Bataillou**, San Francisco, CA (US); **Abidur Rahman Chowdhury**, San Francisco, CA (US); **Clara Geneviève Marine Courtaigne**, Palo Alto, CA (US); **Markus Diebel**, San Francisco, CA (US); **Jonathan Gomez Garcia**, San Francisco, CA (US); **M. Evans Hankey**, San Francisco, CA (US); **Julian Hoenig**, San Francisco, CA (US); **Richard P. Howarth**, San Francisco, CA (US); **Jonathan P. Ive**, San Francisco, CA (US); **Julian Jaede**, San Francisco, CA (US); **Duncan Robert Kerr**, San Francisco, CA (US); **Peter Russell-Clarke**, San Francisco, CA (US); **Benjamin Andrew Shaffer**, San Jose, CA (US); **Joe Sung-Ho Tan**, San Francisco, CA (US); **Clement Tissandier**, San Francisco, CA (US); **Eugene Antony Whang**, San Francisco, CA (US); **Rico Zörkendörfer**, San Francisco, CA (US)

(73) Assignee: **Apple Inc.**, Cupertino, CA (US)

(**) Term: **15 Years**

(21) Appl. No.: **29/756,644**

(22) Filed: **Oct. 29, 2020**

(51) **LOC (14) Cl.** **14-02**

(52) **U.S. Cl.**
USPC **D14/336; D14/374**

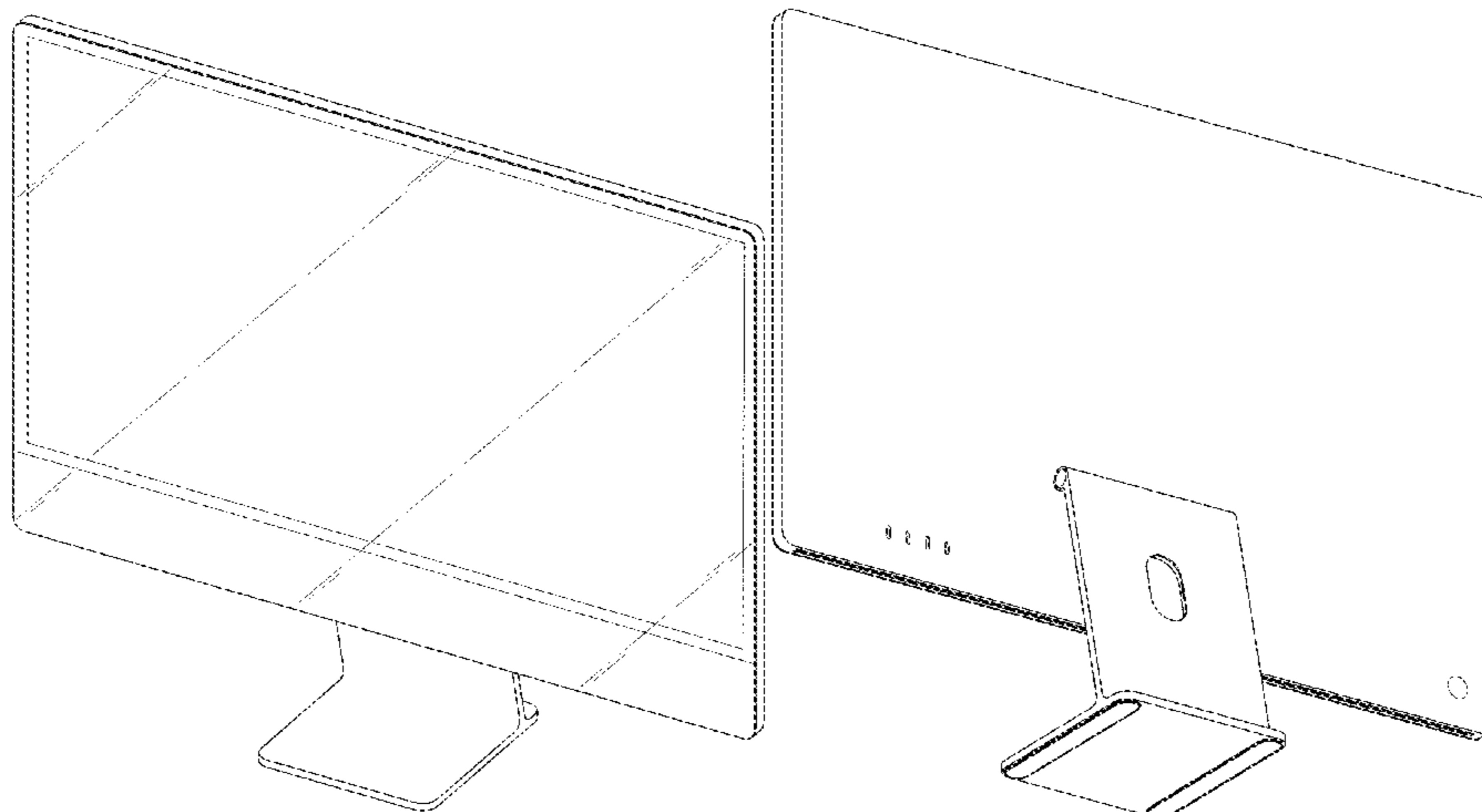
(58) **Field of Classification Search**

USPC D14/305, 306, 307, 315, 316, 322, 334, D14/335, 336, 339, 340, 356, 371, 372, D14/373, 374, 375, 376, 377, 378, 379, D14/380, 381, 382, 432, 448, 449, 450, D14/451, 452, 125, 126, 127, 129, 132, D14/133, 217, 239, 314, 337, 447
CPC G06F 1/16; G06F 1/1601; G06F 1/1603; G06F 1/1605; G06F 1/1607; G06F 1/1611; G06F 1/1616; G06F 1/1618; G06F 1/1622; G06F 1/1626; G06F 1/1641; G06F 1/1643; G06F 1/1647; G06F 1/1649; G06F 1/1654; G06F 1/1656; G06F 1/181; G06F 1/1684; G06F 1/1686; G06F 1/1692; H05K 5/00; H05K 5/03; H05K 5/0243; H05K 5/0286; H05K 5/0239; H05K 5/02; H05K 5/0204; H05K 5/0217; H05K 5/0247; H05K 5/0234; H05K 5/0213; H04N 5/64; H04N 5/645
See application file for complete search history.

(56) **References Cited**

U.S. PATENT DOCUMENTS

D434,763 S	12/2000	Jobs et al.	
D448,031 S	9/2001	Goetz	
D456,023 S	4/2002	Andre et al.	
D504,889 S	5/2005	Andre et al.	
D531,631 S	* 11/2006	Andre	D14/375
D532,011 S	11/2006	Andre et al.	
D533,150 S	12/2006	Chia	
D541,799 S	5/2007	Andre et al.	
D556,755 S	12/2007	Lee et al.	
D564,465 S	3/2008	Onoda	
D577,694 S	9/2008	Shih et al.	
D585,034 S	1/2009	Chu	
D600,696 S	9/2009	Andre et al.	
D604,733 S	11/2009	Andre et al.	
D605,193 S	12/2009	Andre et al.	
D609,705 S	2/2010	Andre et al.	
D610,138 S	* 2/2010	Andre	D14/336
D618,241 S	6/2010	Akana et al.	
D618,242 S	6/2010	Akana et al.	
D620,932 S	8/2010	Andre et al.	
D621,830 S	8/2010	Andre et al.	
D621,833 S	8/2010	Chang et al.	
D621,841 S	8/2010	Andre et al.	
D627,777 S	11/2010	Akana et al.	



US D976,254 S

Page 2

D630,210 S	1/2011	Andre et al.	JP	D1427379	11/2011
D638,013 S	5/2011	Andre et al.	JP	HJ2306971400	2/2012
D648,336 S *	11/2011	Yagi D14/374	JP	HJ2307164200	2/2012
D651,602 S	1/2012	Andre et al.	JP	HJ2402568500	8/2012
D651,607 S	1/2012	Akana et al.	JP	HJ2405037400	11/2012
D655,286 S	3/2012	Cherian	JP	D1464913	3/2013
D656,501 S	3/2012	Andre et al.	JP	D1473403	6/2013
D658,190 S	4/2012	Akana et al.	JP	D1473503	6/2013
D658,646 S	5/2012	Akana et al.	JP	D1474663	7/2013
D661,305 S	6/2012	Andre et al.	JP	HJ2601801700	6/2014
D661,311 S	6/2012	Akana et al.	JP	HC2601196300	10/2014
D665,801 S *	8/2012	Liu D14/374	JP	HJ2702003900	7/2015
D671,595 S	11/2012	O'Hara	JP	HJ2702004900	7/2015
D677,257 S	3/2013	Andre et al.	JP	HJ2704432000	11/2015
D684,572 S	6/2013	Akana et al.	JP	HJ2802749200	8/2016
D684,581 S	6/2013	Akana et al.	JP	HJ2802749600	8/2016
D691,606 S	10/2013	Andre et al.	JP	HJ2802749800	8/2016
D694,250 S	11/2013	Andre et al.	JP	HD2800405900	9/2016
D695,244 S	12/2013	Wolff et al.	JP	HD2800639500	1/2017
D698,351 S	1/2014	Jasinski et al.	JP	HJ2901997800	7/2017
D710,348 S	8/2014	Akana et al.	JP	HC2900687100	8/2017
D710,356 S	8/2014	Akana et al.	JP	HJ2902734100	8/2017
D712,397 S *	9/2014	Akana D14/374	JP	D1586571	9/2017
D719,158 S	12/2014	Akana et al.	JP	HC3100188900	5/2019
D724,040 S	3/2015	Chan	JP	HJ3100734800	5/2019
D727,898 S	4/2015	Yum et al.	JP	D1668340	9/2020
D727,899 S	4/2015	Lee et al.	JP	D1668341	9/2020
D727,900 S	4/2015	Lee et al.	JP	D1668526	9/2020
D730,308 S	5/2015	Akana et al.	JP	D1668527	9/2020
RE45,547 E	6/2015	Andre et al.	JP	RJ0204689700	10/2020
D732,496 S	6/2015	Mellingen et al.	JP	D1679046	2/2021
D737,232 S	8/2015	Choi	JP	D1679109	2/2021
D739,364 S	9/2015	Mellingen et al.	JP	RA0300643900	7/2021
RE45,816 E	12/2015	Andre et al.	WO	DM/095686	4/2017
D752,035 S	3/2016	Akana et al.	WO	DM/208405	5/2020
D752,587 S	3/2016	Gong			
D756,320 S	5/2016	Wu et al.			
D765,615 S	9/2016	Kim et al.			
D766,909 S	9/2016	Andre et al.			
D769,874 S	10/2016	Kung			
D790,543 S	6/2017	Chu			
D791,763 S	7/2017	Akana et al.			
D799,483 S	10/2017	Won et al.			
D804,476 S *	12/2017	Hallar D14/375			
D819,029 S	5/2018	Seo et al.			
D819,585 S	6/2018	Kang et al.			
D826,887 S	8/2018	Kymm et al.			
D829,711 S	10/2018	Akana et al.			
D836,110 S	12/2018	Quijano et al.			
D849,703 S	5/2019	Kim et al.			
D850,393 S	6/2019	Kim et al.			
D860,964 S	9/2019	Hou			
D862,470 S	10/2019	Kang et al.			
D878,314 S	3/2020	Seong et al.			
D888,054 S	6/2020	Tai et al.			
D888,681 S	6/2020	Kim et al.			
D892,070 S	8/2020	Kim et al.			
D893,201 S	8/2020	Jiang			
D907,643 S	1/2021	Wengreen			
D909,368 S	2/2021	Seo et al.			
D911,300 S	2/2021	Park et al.			
D912,049 S	3/2021	Zhang et al.			
D936,647 S *	11/2021	Akana D14/374			
D939,498 S *	12/2021	Akana D14/316			
D946,001 S *	3/2022	Liao D14/447			
2003/0058372 A1	3/2003	Williams et al.			
2003/0221288 A1 *	12/2003	Kim F16M 11/10			
					16/337
2009/0268108 A1	10/2009	Hamada			
2011/0080375 A1	4/2011	Chikazawa			
2012/0162949 A1 *	6/2012	Han F16M 11/2021			
					361/803

FOREIGN PATENT DOCUMENTS

CN	303969060	12/2016
JP	HD2000449600	2/2009
JP	HC2100407700	7/2009
JP	HJ2202302900	7/2010

OTHER PUBLICATIONS

Minggui et al., CN Design No. 306368049, published at Orbit, publication date 3 Sep. 3, 2021. Site visited Mar. 31, 2022. Available from internet. (Year: 2021).*

Akana et al., CN Design No. 307118914, published at Orbit, publication date Feb. 18, 2022. Site visited Mar. 31, 2022. Available from internet. (Year: 2022).*

Microsoft Surface Studio 2. Microsoft, amazon.com (online) 12 pages. Posted Oct. 2, 2018. [Retrieved Mar. 31, 2022] https://www.amazon.com/dp/B07HZMVTLLH/ref=cm_sw_em_r_mt_dp_AKCTCP40R37ZW6MDZKBJ (Year: 2018).*

Ralph, Nate, 7 Great All-in-One Desktop PCs, posting date Mar. 26, 2012. Site visited Nov. 6, 2020. URL: <https://www.pcworld.com/article/251388/7_great_all_in_one_desktop_pcs.html> (Year: 2012).

U.S. Appl. No. 29/455,071 of Jody Akana et al. titled "Electronic Device," filed May 16, 2013 (abandoned).

U.S. Appl. No. 29/660,118 of Jody Akana et al. titled "Electronic Device," filed Aug. 17, 2018 (unpublished).

* cited by examiner

Primary Examiner — Kathleen L Jones

Assistant Examiner — Cole Sanders Holman

(74) *Attorney, Agent, or Firm* — Saidman Designlaw Group, LLC

(57)

CLAIM

The ornamental design for an electronic device, as shown and described.

DESCRIPTION

FIG. 1 is a perspective view of an electronic device showing the claimed design;

FIG. 2 is another perspective view thereof;

FIG. 3 is a front view thereof;

FIG. 4 is a rear view thereof;
FIG. 5 is a left side view thereof;
FIG. 6 is a right side view thereof;
FIG. 7 is a top view thereof; and,
FIG. 8 is a bottom view thereof.

The evenly dashed broken lines in the figures depict portions of the electronic device that form no part of the claimed design.

1 Claim, 6 Drawing Sheets

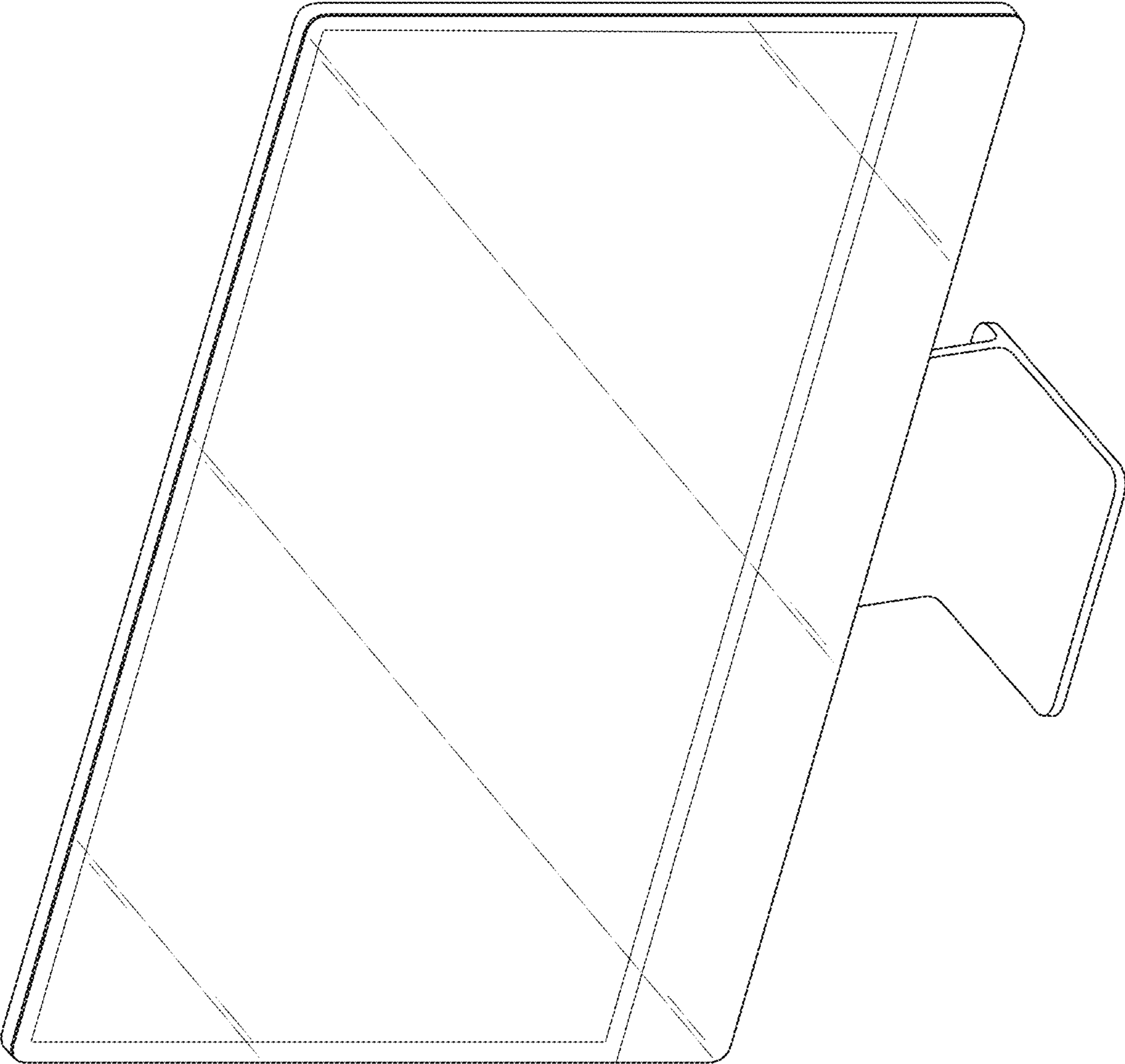


Fig. 1

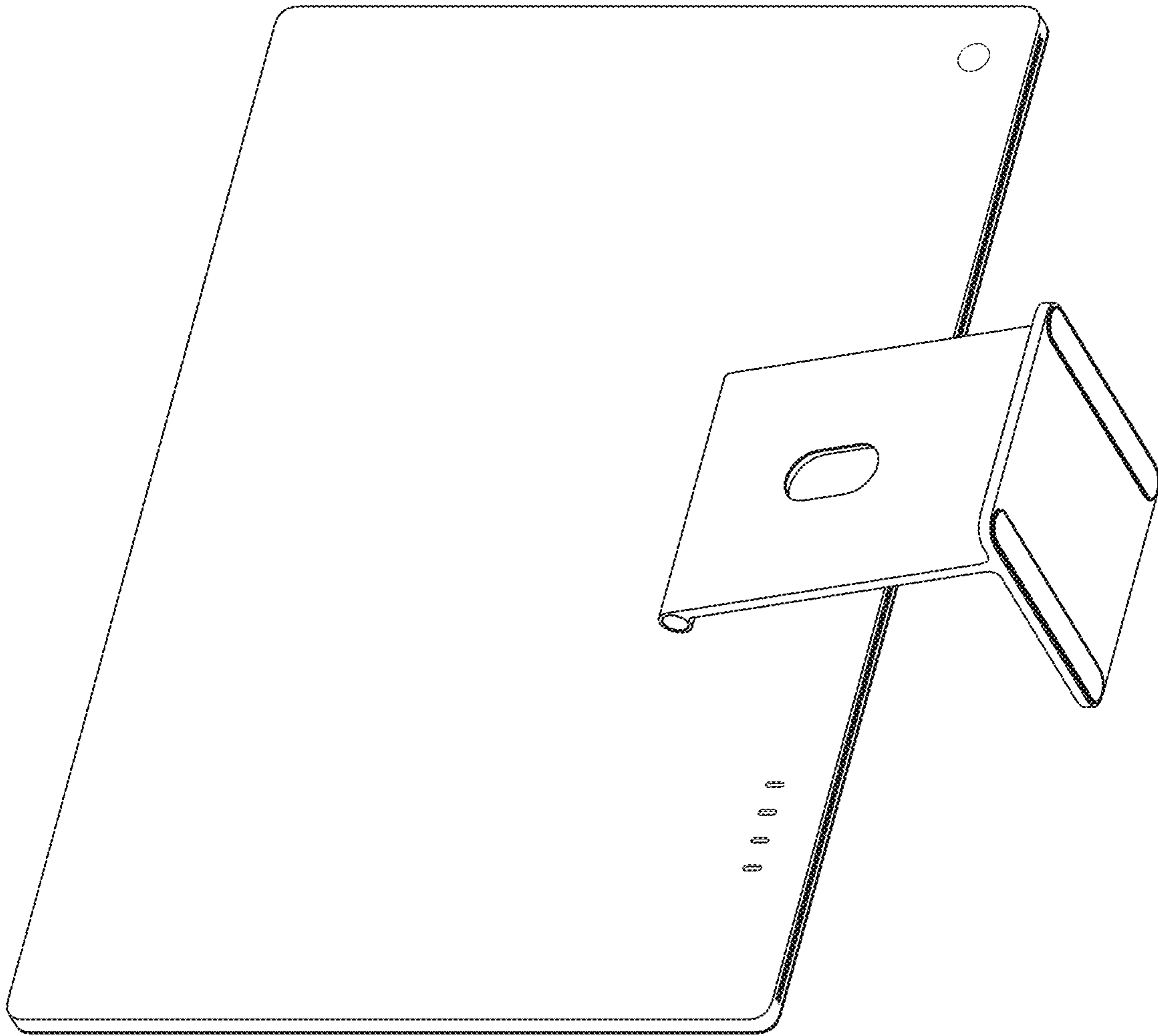


Fig. 2

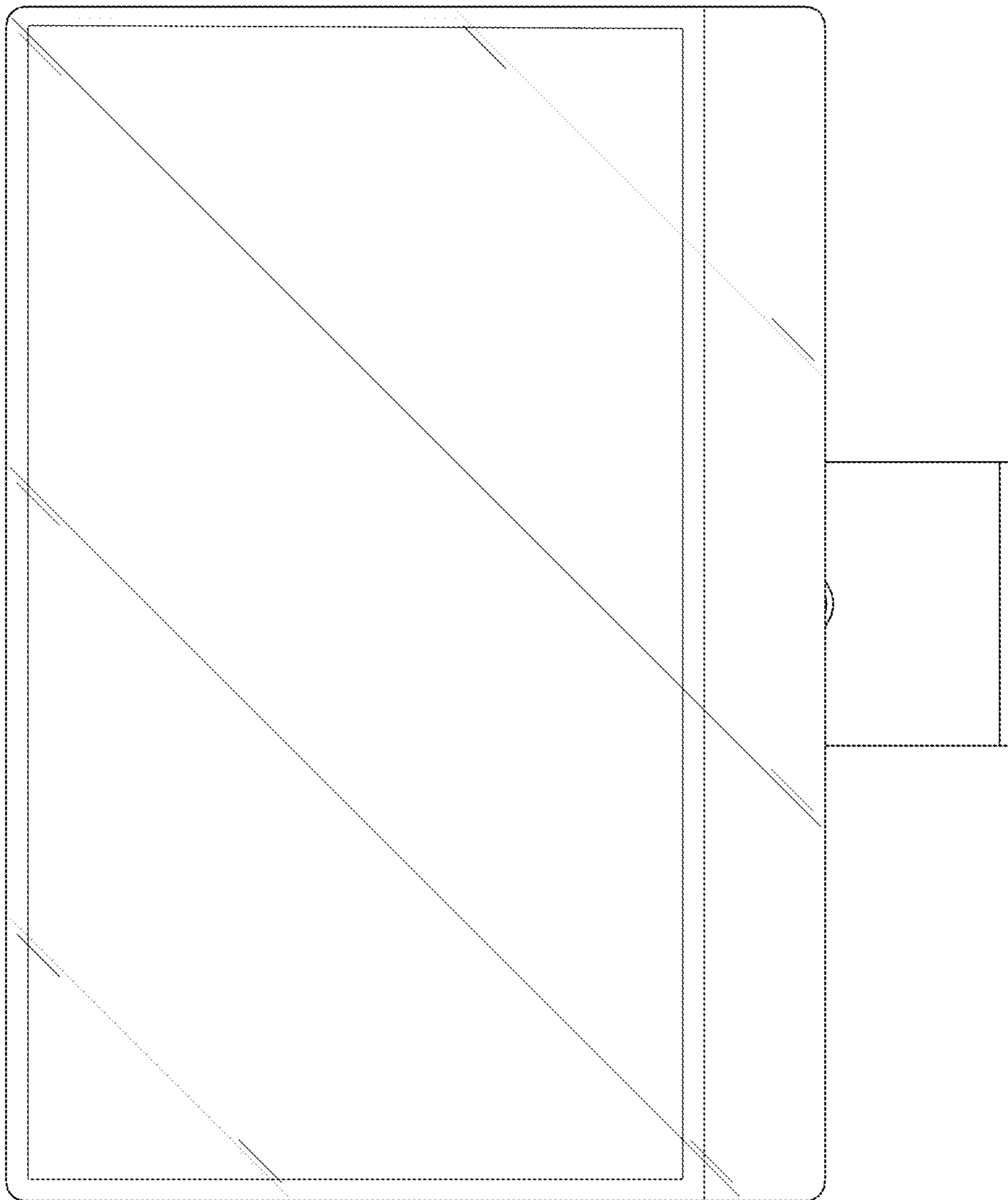


Fig. 3

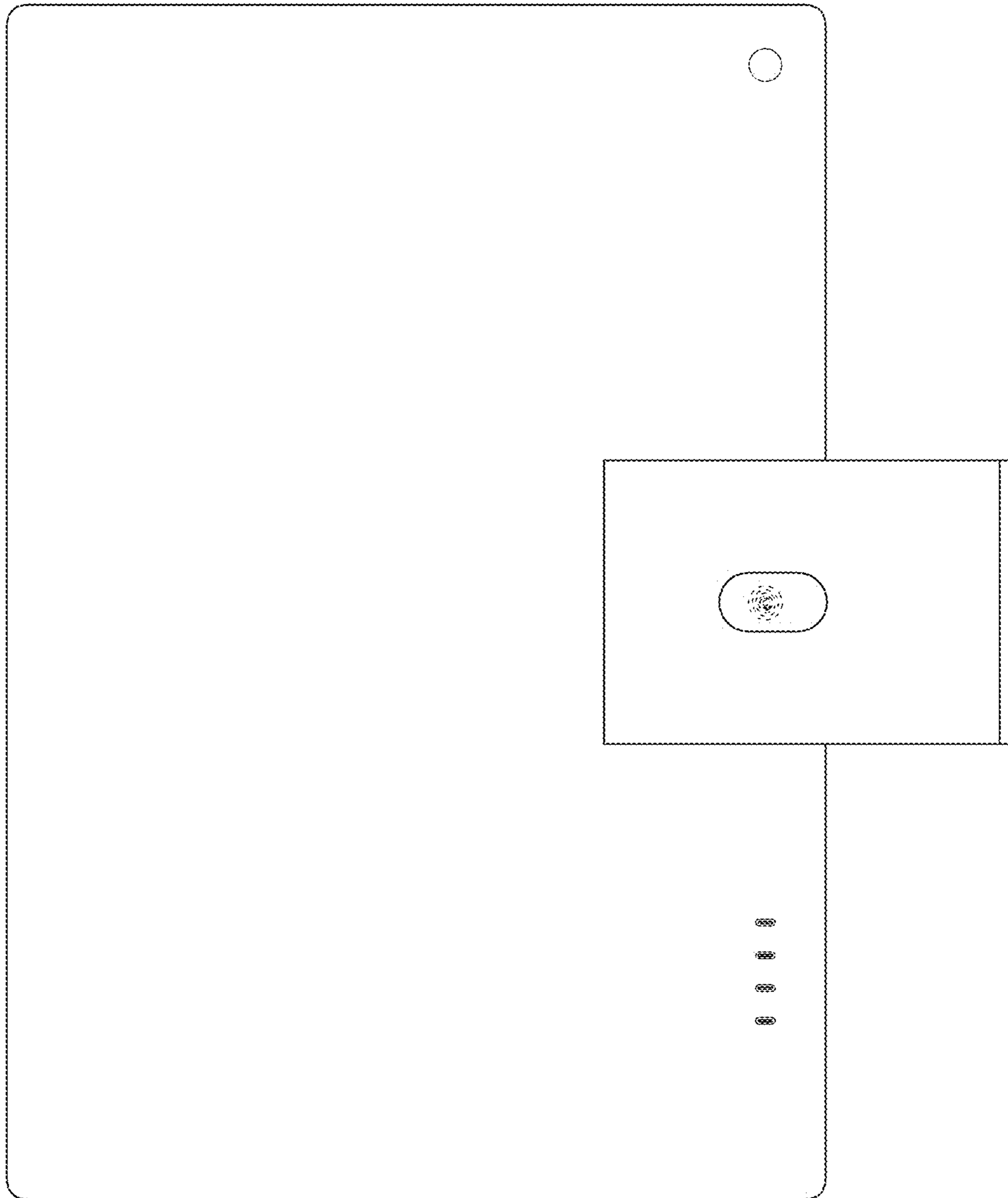


Fig. 4

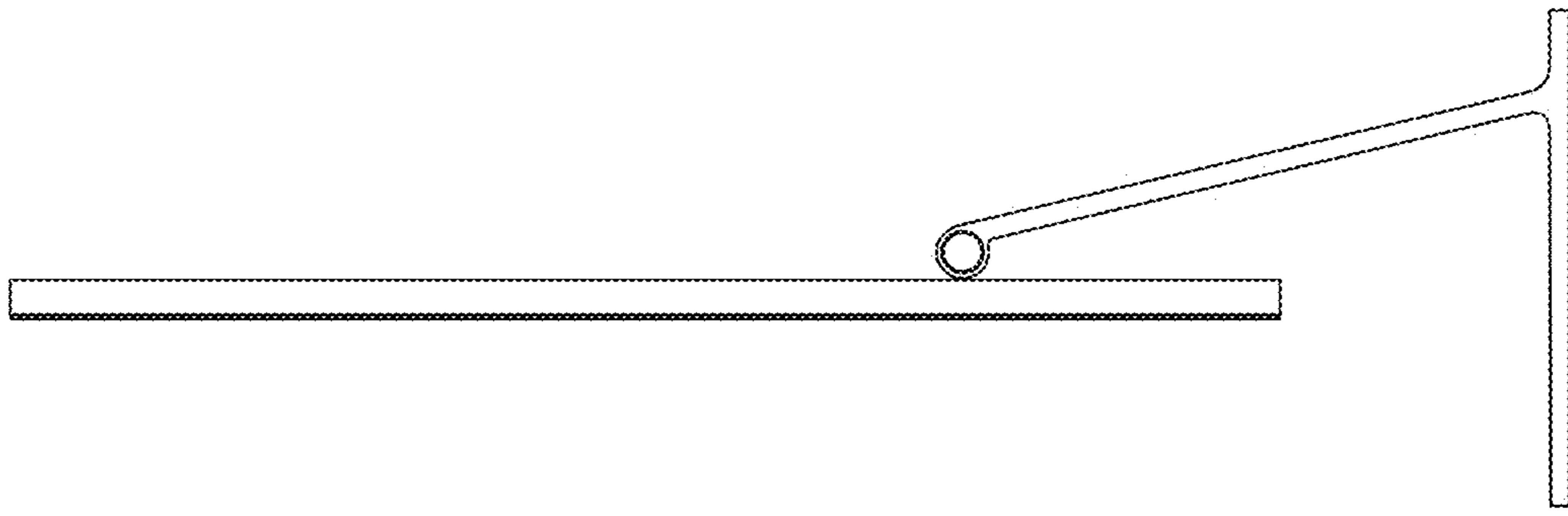


Fig. 6

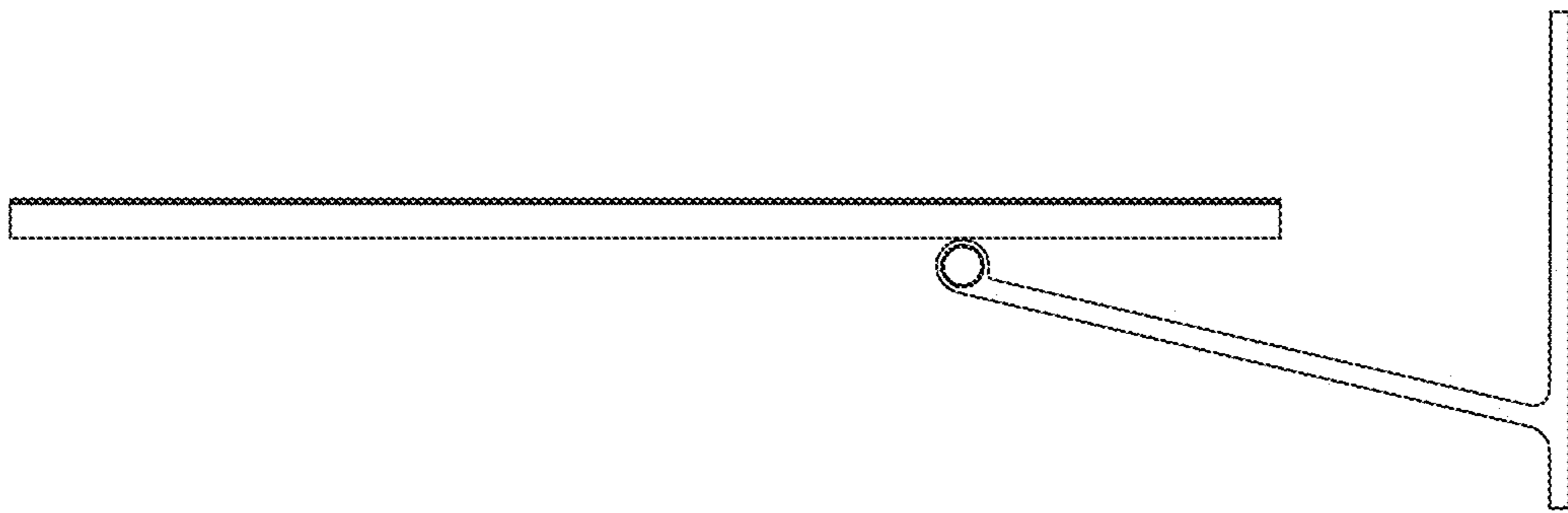


Fig. 5

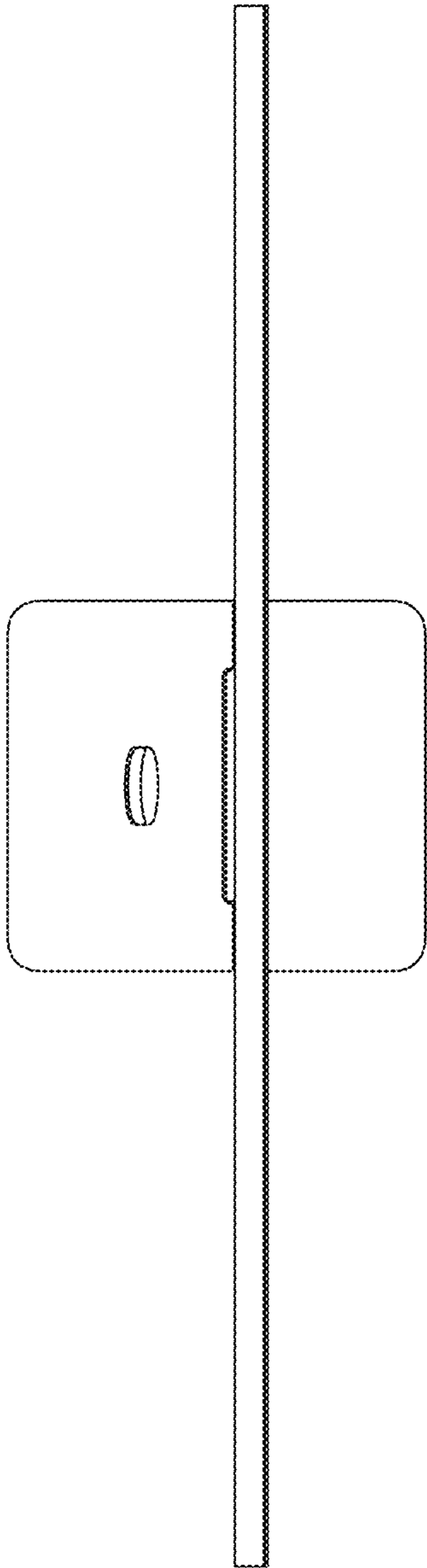


Fig. 7

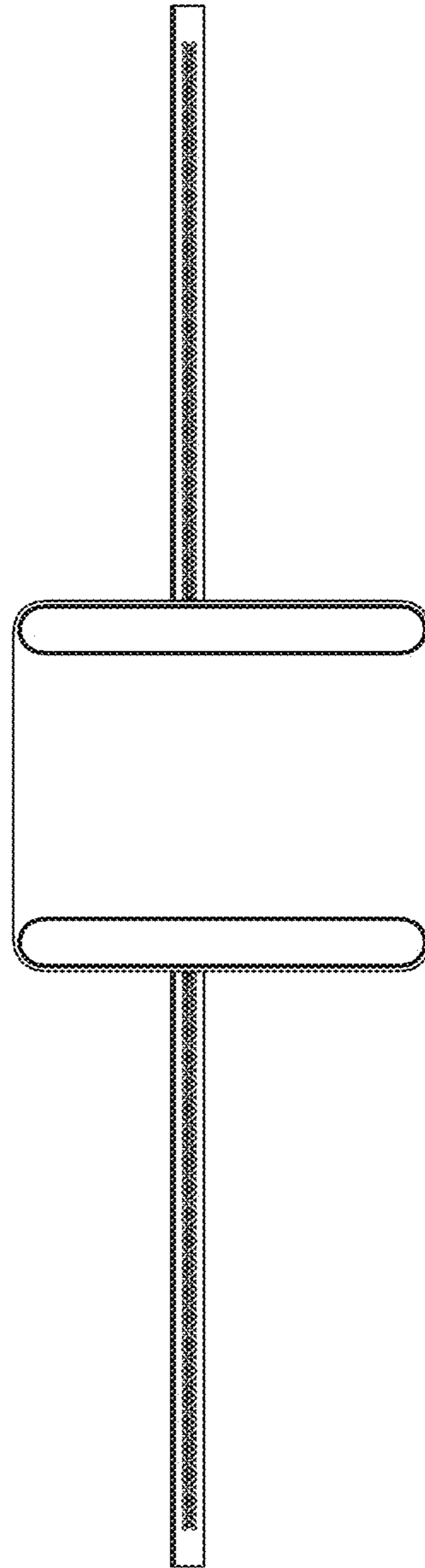


Fig. 8

UNITED STATES PATENT AND TRADEMARK OFFICE
CERTIFICATE OF CORRECTION

PATENT NO. : D976,254 S
APPLICATION NO. : 29/756644
DATED : January 24, 2023
INVENTOR(S) : Jody Akana et al.

Page 1 of 1

It is certified that error appears in the above-identified patent and that said Letters Patent is hereby corrected as shown below:

On the Title Page

References Cited

Page 2, Column 2, Line 2, Item (56), OTHER PUBLICATIONS:

-publication date 3 Sep. 3, 2021.-

Should read:

--publication date Sep. 3, 2021.--

Signed and Sealed this
Twenty-eighth Day of March, 2023
Katherine Kelly Vidal

Katherine Kelly Vidal
Director of the United States Patent and Trademark Office