



US00D976252S

(12) **United States Design Patent**
Guo

(10) **Patent No.:** **US D976,252 S**
(45) **Date of Patent:** **** Jan. 24, 2023**

(54) **MOBILE PHONE HOLDER**

(71) Applicant: **Changlai Guo**, Dezhou (CN)

(72) Inventor: **Changlai Guo**, Dezhou (CN)

(**) Term: **15 Years**

(21) Appl. No.: **29/822,225**

(22) Filed: **Jan. 6, 2022**

(30) **Foreign Application Priority Data**

Jul. 10, 2021 (CN) 202130436775.4
Jul. 10, 2021 (CN) 202130436783.9

(51) **LOC (14) Cl.** **14-03**

(52) **U.S. Cl.**
USPC **D14/253**

(58) **Field of Classification Search**
USPC D14/251–253, 447, 217, 440; D12/415
CPC H04M 1/11; H04M 1/06; H04M 1/12;
H04M 1/6075; H04M 1/724; A45F
2200/0516; A45F 2005/002
See application file for complete search history.

(56) **References Cited**

U.S. PATENT DOCUMENTS

5,383,634 A * 1/1995 Liao G10G 5/00
248/176.1
D357,828 S * 5/1995 Liao D6/682.6
5,915,661 A * 6/1999 Silverman G06F 1/163
248/456
5,957,417 A * 9/1999 Yu G10G 5/00
403/119
6,113,040 A * 9/2000 Yu F16M 11/16
248/440.1
6,412,742 B1 * 7/2002 Yu G10G 5/00
403/119
6,533,228 B1 * 3/2003 Yu G10G 5/00
84/327

D538,554 S * 3/2007 Tai D6/682
D575,293 S * 8/2008 Derry D14/447
D610,587 S * 2/2010 Bandringa D14/447
D620,941 S * 8/2010 Stacey D14/447
D636,397 S * 4/2011 Green D14/447
D638,021 S * 5/2011 Derry D14/447
7,980,737 B2 * 7/2011 Hu F16M 11/10
248/188
D646,283 S * 10/2011 Derry F16M 13/00
D14/447
D652,044 S * 1/2012 Pajerski D14/447
D658,189 S * 4/2012 Zhao D14/447
D659,147 S * 5/2012 Hu D14/447
D669,482 S * 10/2012 Hu D14/447
D672,754 S * 12/2012 Inada D14/224

(Continued)

FOREIGN PATENT DOCUMENTS

CN 202130436775.4 * 7/2021
CN 202130436783.9 * 7/2021

Primary Examiner — Janice Hallmark

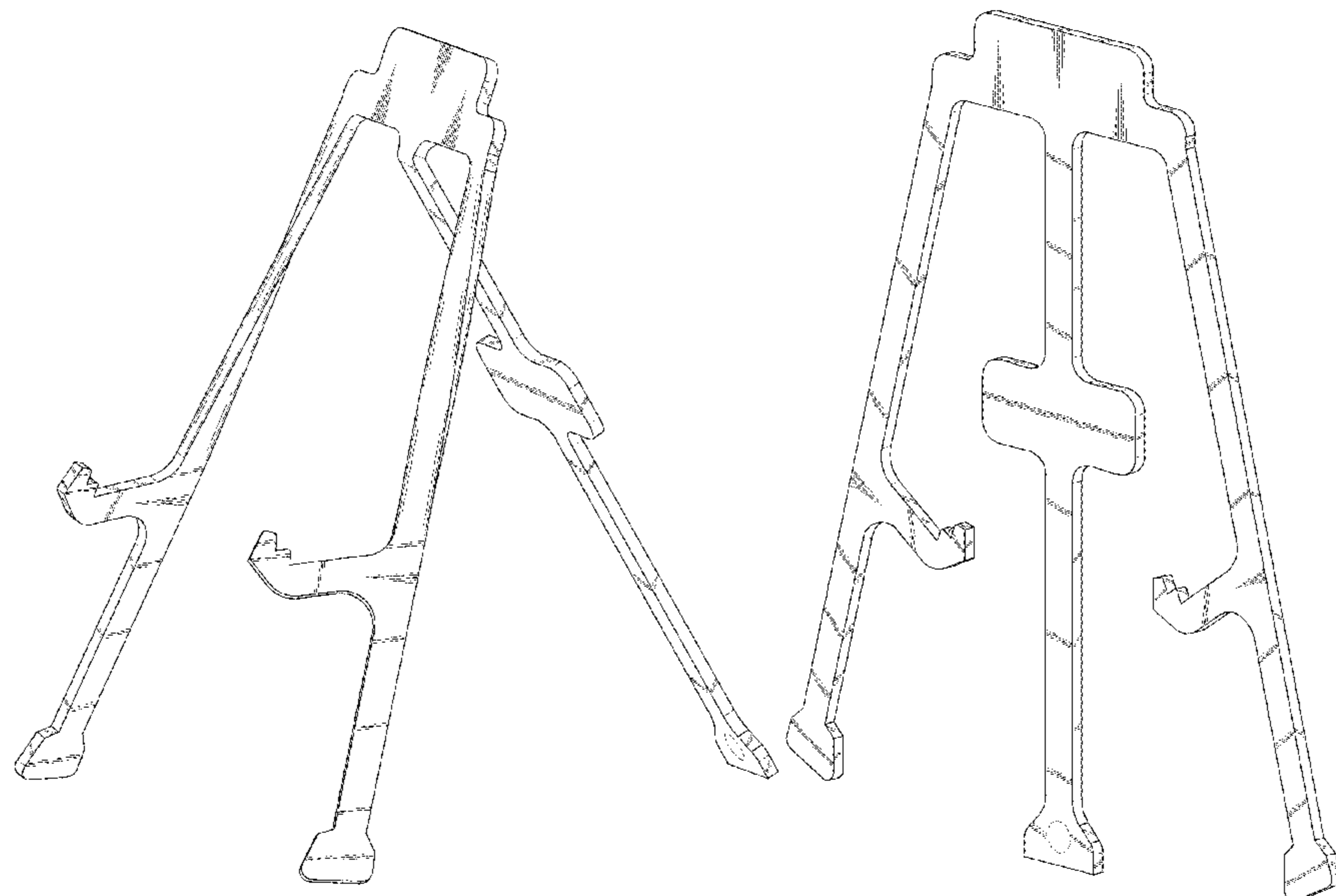
(57) **CLAIM**

The ornamental design for a mobile phone holder, as shown and described.

DESCRIPTION

FIG. 1 is a front, top perspective view of a mobile phone holder showing my new design;
FIG. 2 is a rear, top perspective view thereof;
FIG. 3 is a front elevation view thereof;
FIG. 4 is a rear elevation view thereof;
FIG. 5 is a left side elevation view thereof;
FIG. 6 is a right side elevation view thereof;
FIG. 7 is a front, top perspective view of the mobile phone holder of FIG. 1 shown in a closed state of use; and,
FIG. 8 is a front elevation view thereof.
The broken lines depict portions of the mobile phone holder that form no part of the claimed design.

1 Claim, 8 Drawing Sheets



(56)

References Cited

U.S. PATENT DOCUMENTS

D672,782	S	*	12/2012	Gross	D14/447
D673,032	S	*	12/2012	Tak	D8/395
D676,037	S		2/2013	Schupsky		
D685,378	S	*	7/2013	Deng	D14/447
D689,500	S	*	9/2013	Faulk	D14/447
D694,761	S	*	12/2013	Zoll	D14/447
D741,397	S	*	10/2015	Minn	D16/244
D792,417	S	*	7/2017	Xiang	D14/447
D827,652	S	*	9/2018	Jacques	D14/447
D835,626	S		12/2018	Mir Martos		
D838,724	S	*	1/2019	Olander	F16M 11/041 D14/447
D853,403	S		7/2019	Lyu		
D864,186	S		10/2019	Du		
D898,748	S	*	10/2020	Ma	D14/447
D902,936	S	*	11/2020	Hong	D14/447
D903,688	S	*	12/2020	Hong	D14/447
D907,628	S	*	1/2021	Feng	D14/253
D930,655	S	*	9/2021	Lin	D14/447
D931,291	S		9/2021	Lye		
D934,234	S		10/2021	Deng		
D936,065	S	*	11/2021	Lan	D14/447
D941,826	S	*	1/2022	Li	D14/447
2008/0001044	A1	*	1/2008	Hsu	A47B 23/043 248/146
2014/0124631	A1	*	5/2014	Olander	A47B 23/044 248/176.1
2018/0252353	A1	*	9/2018	Hou	F16M 13/00

* cited by examiner

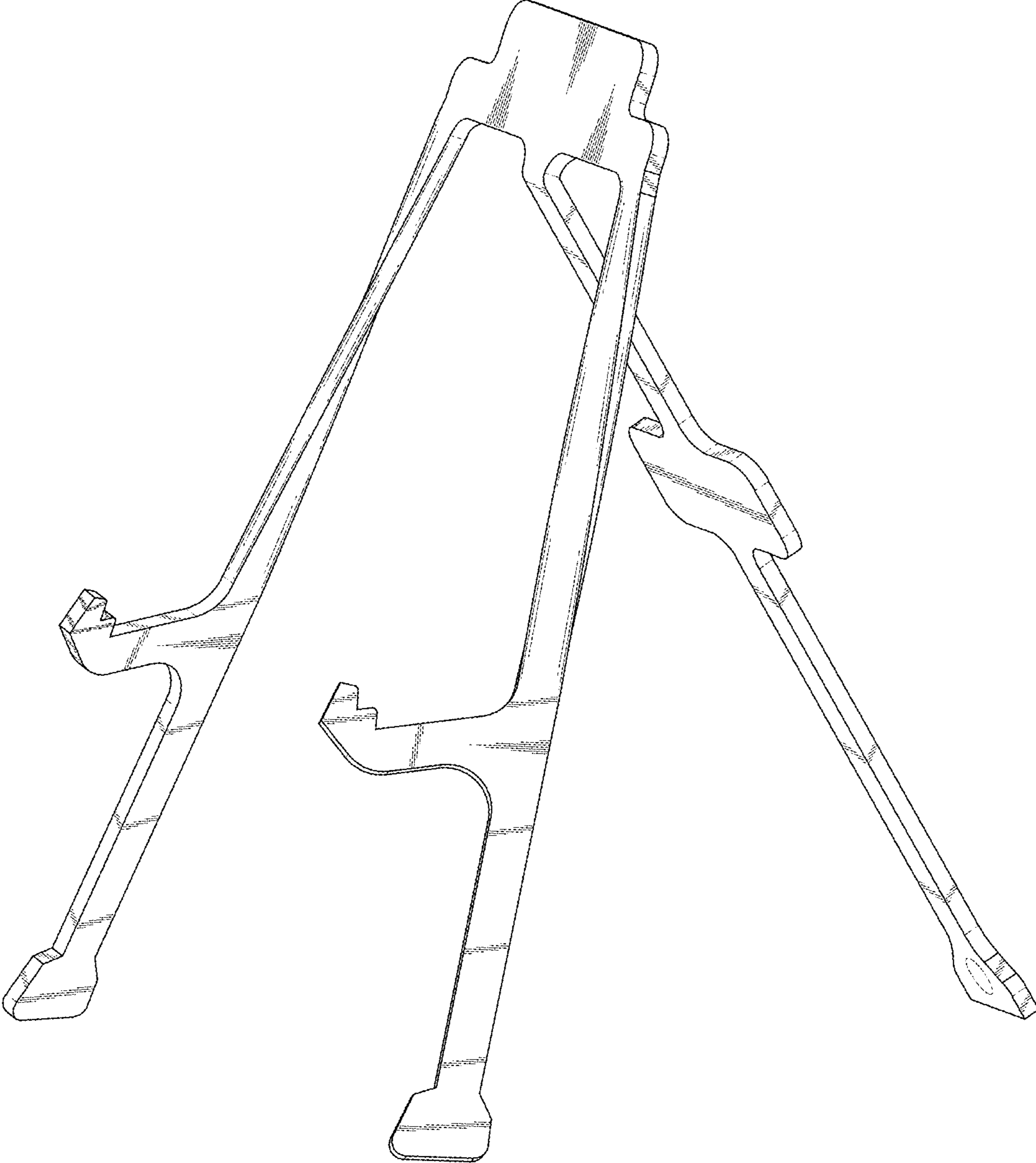


FIG. 1

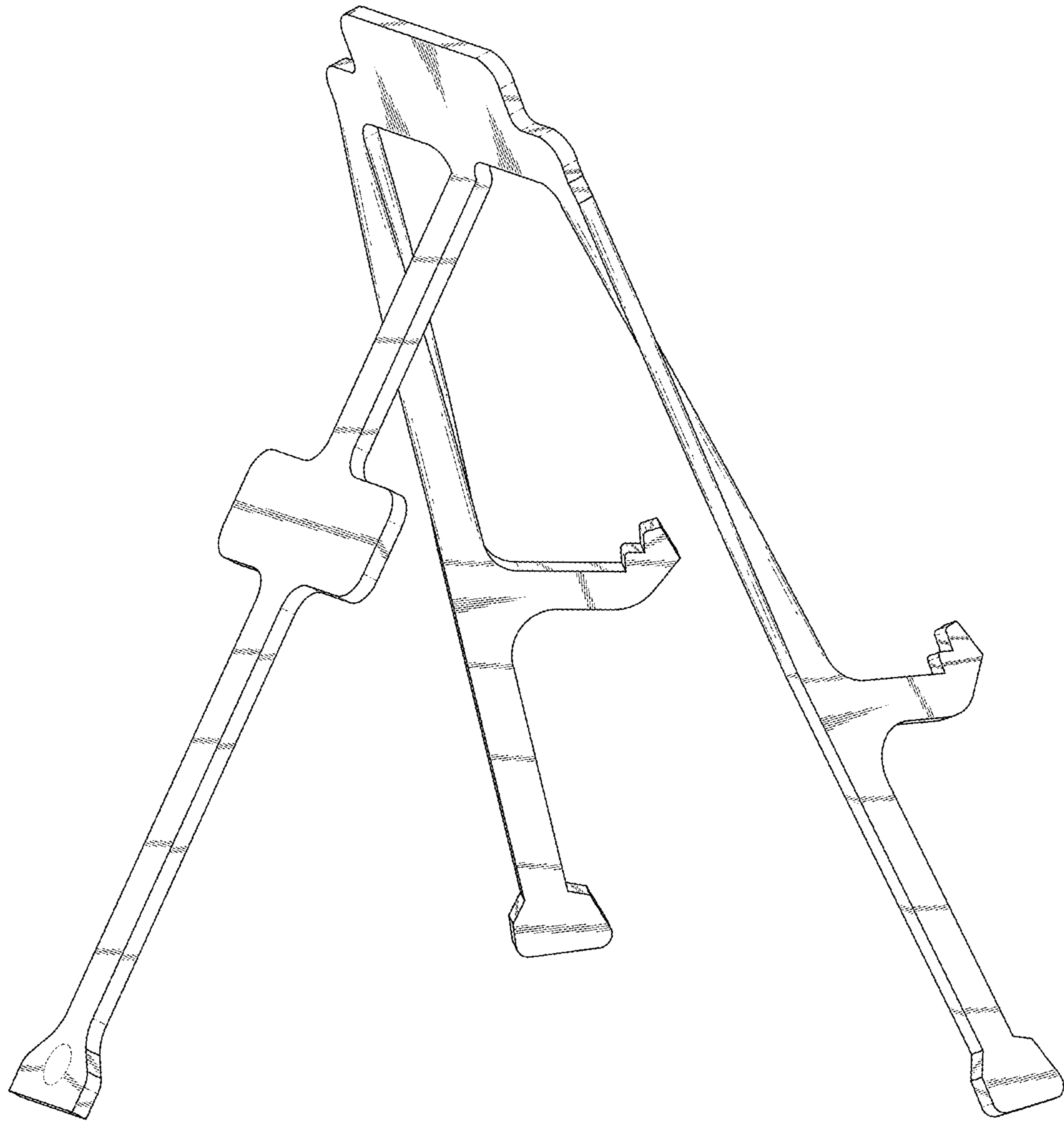


FIG. 2

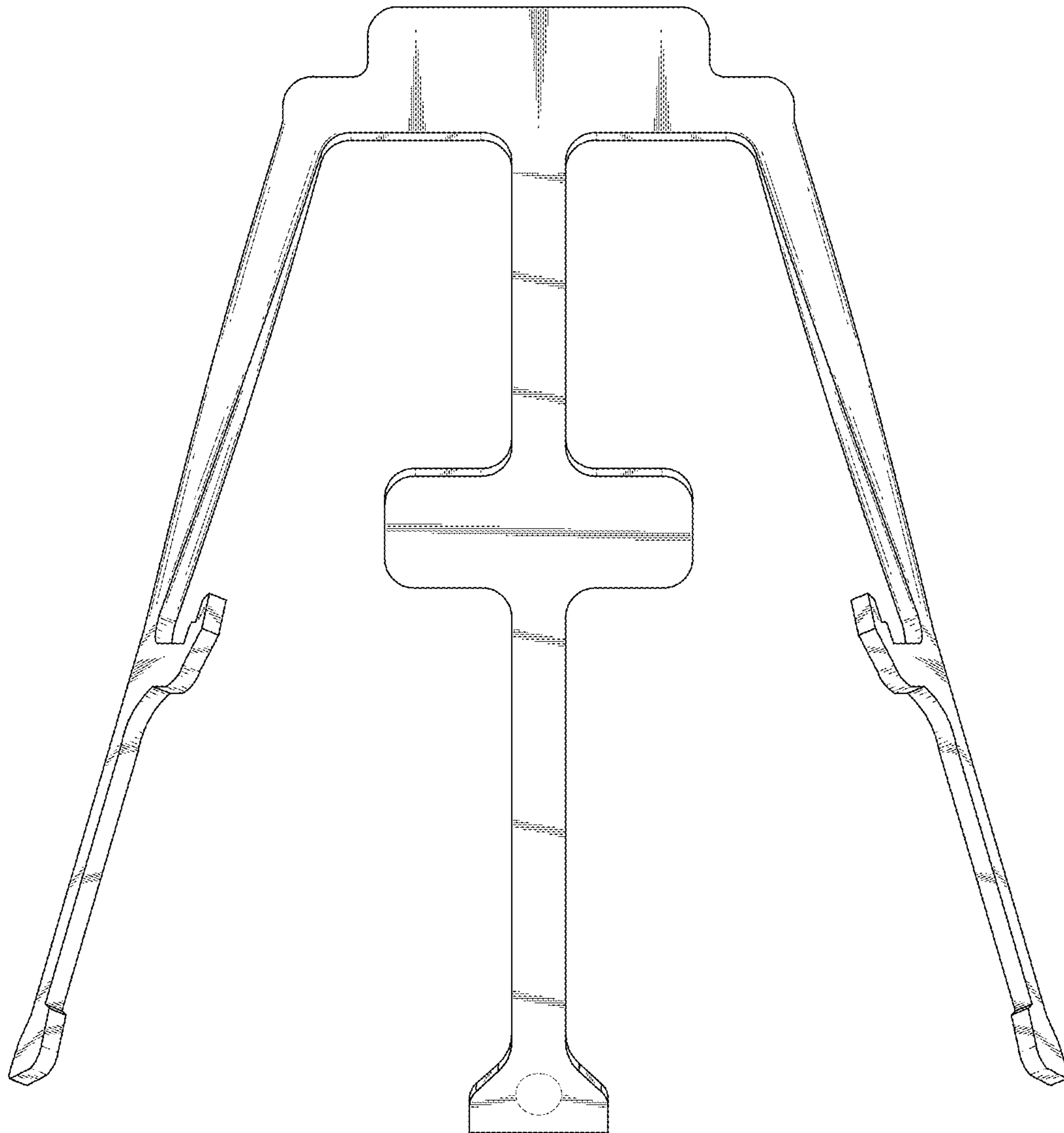


FIG. 3

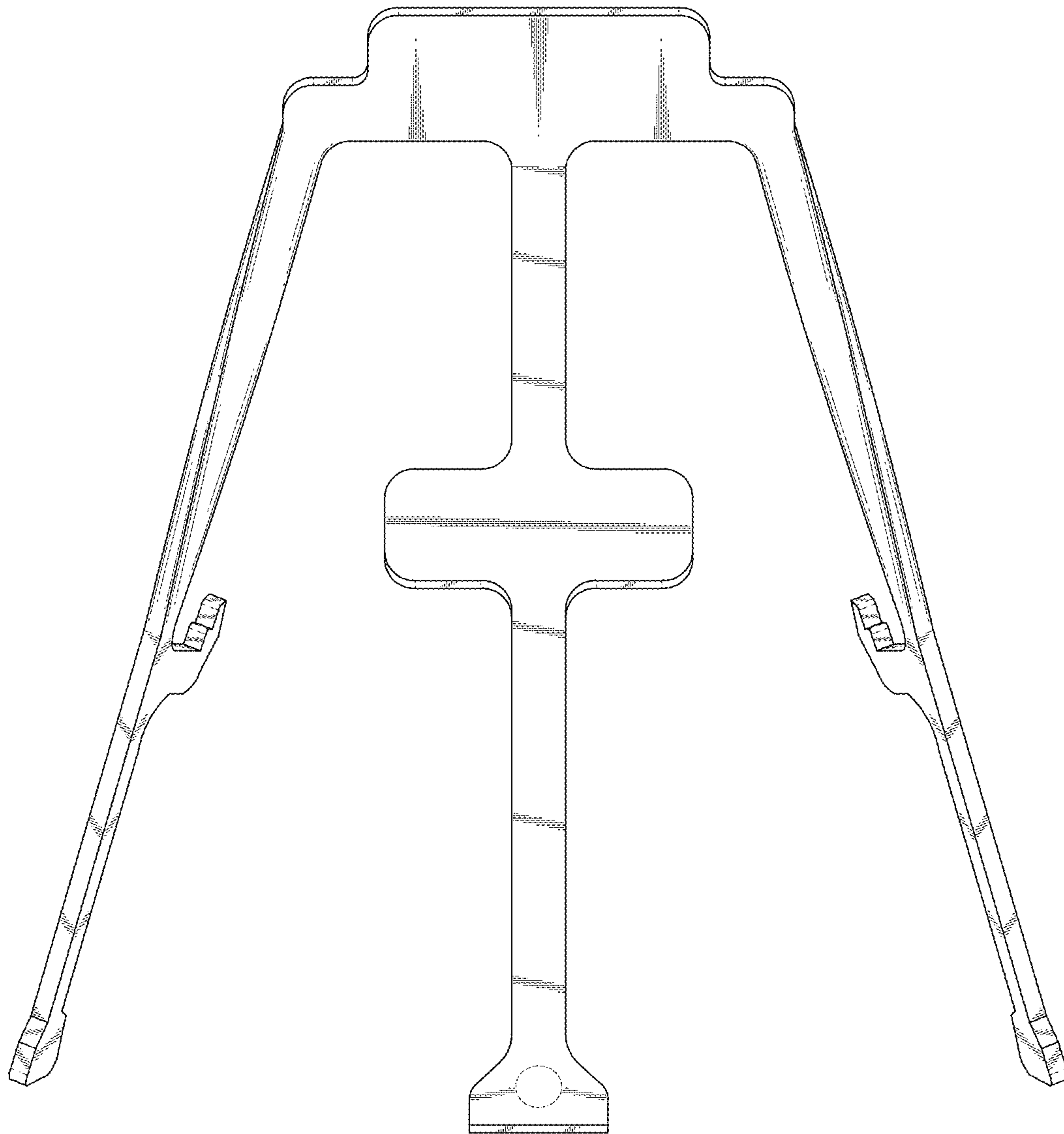


FIG. 4

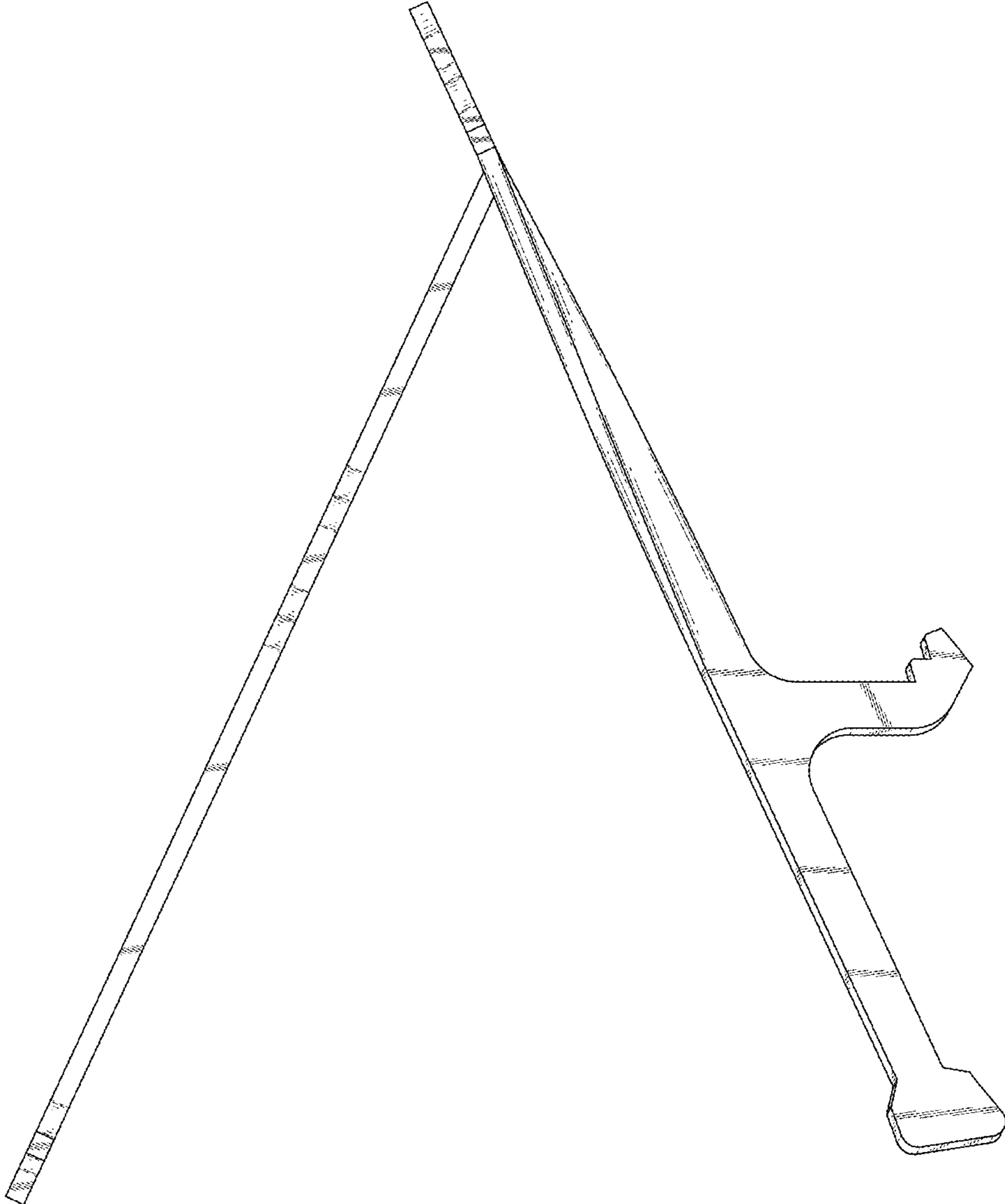


FIG. 5

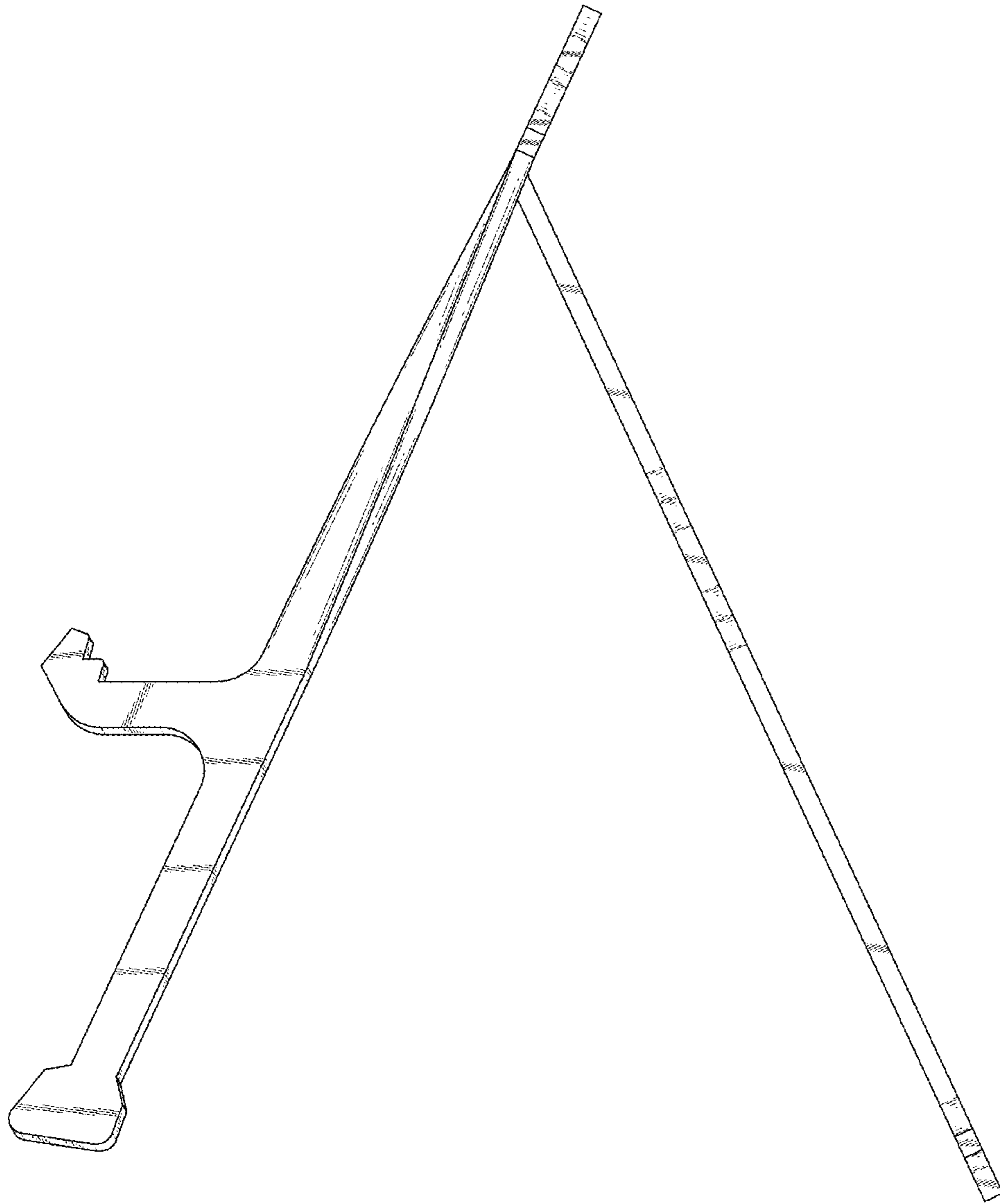


FIG. 6

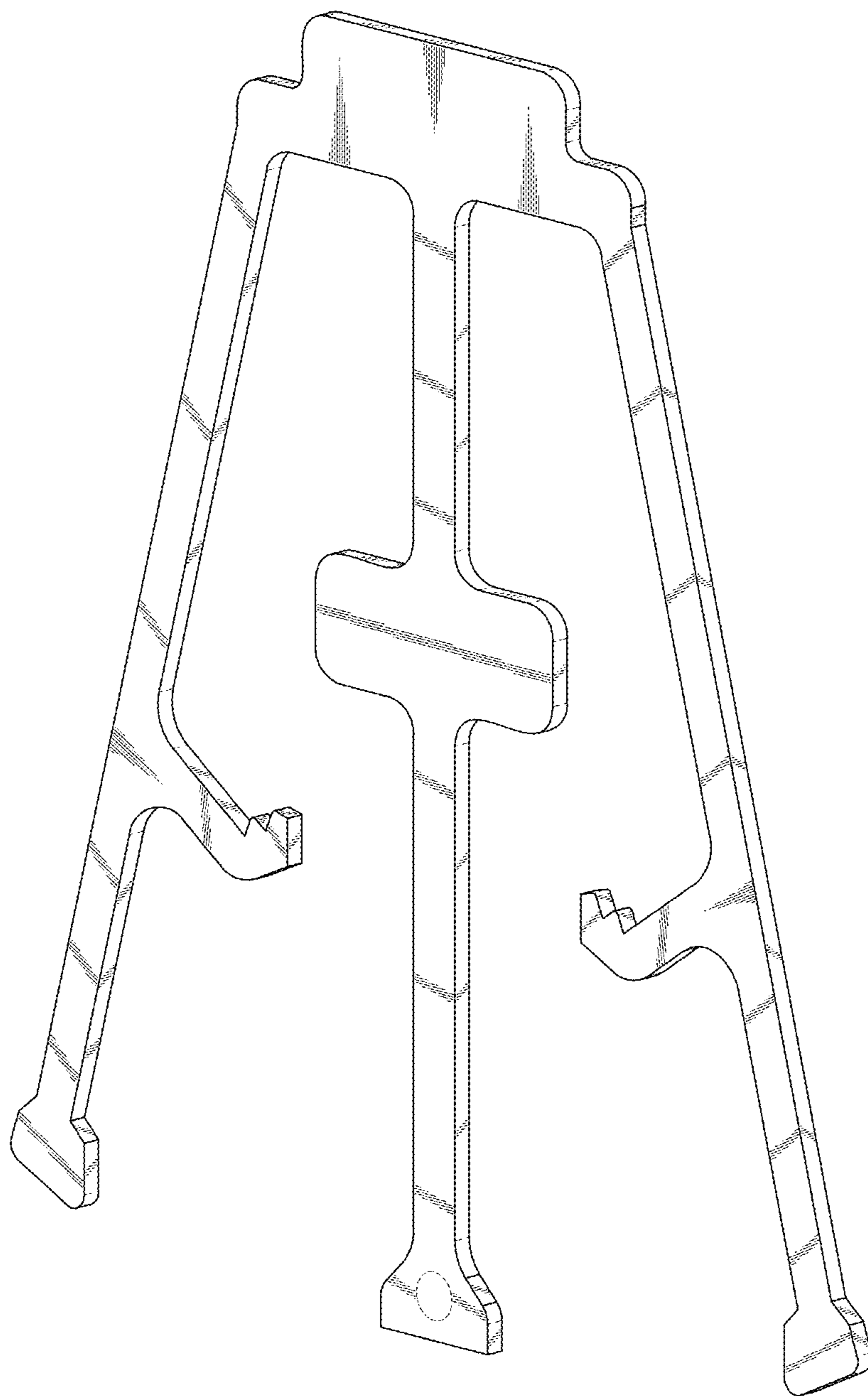


FIG. 7

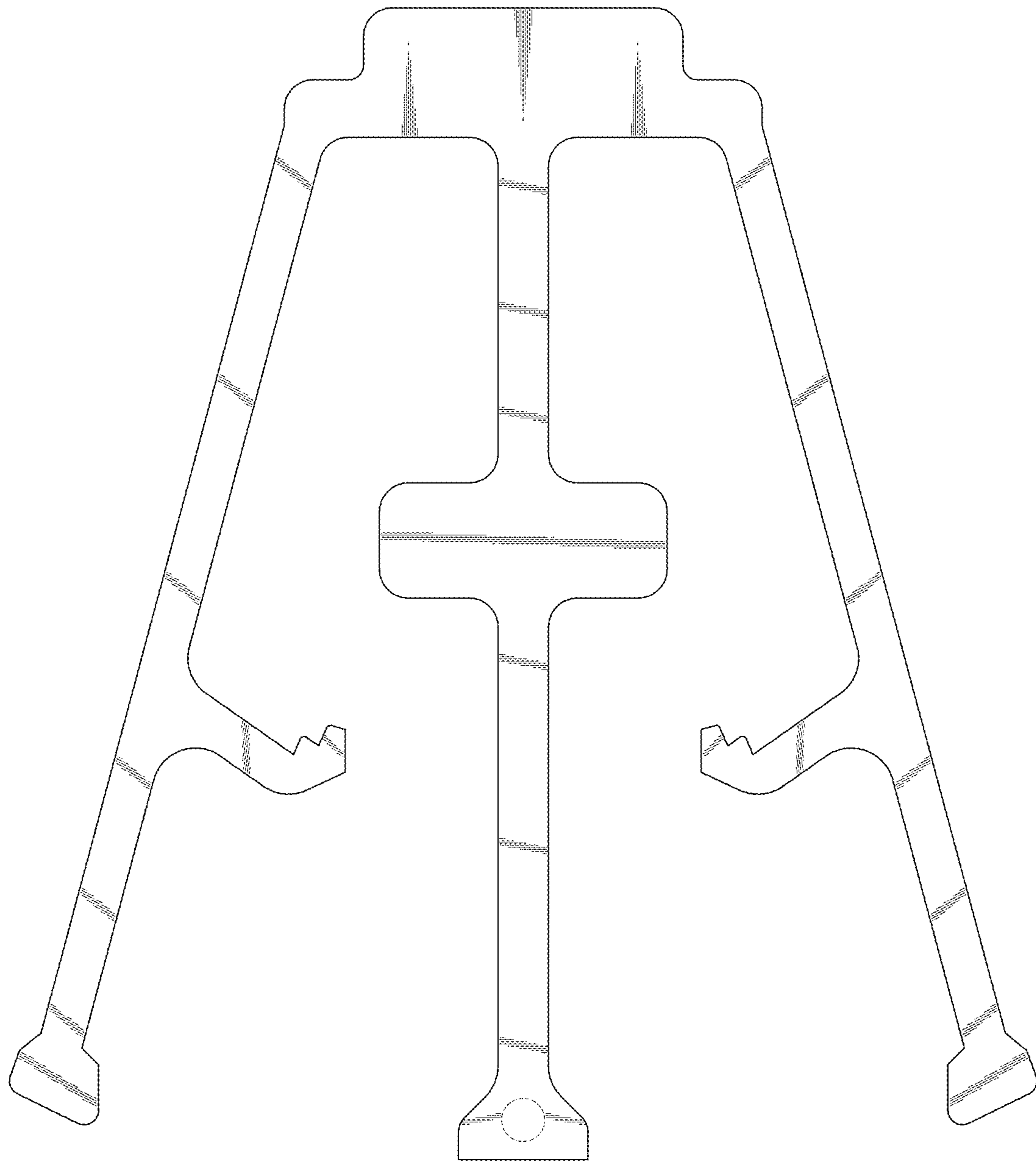


FIG. 8