



US00D976251S

(12) **United States Design Patent**
Backus

(10) **Patent No.:** **US D976,251 S**
(45) **Date of Patent:** **** Jan. 24, 2023**

- (54) **CELL PHONE GRIP**
- (71) Applicant: **Dale Backus**, Apex, NC (US)
- (72) Inventor: **Dale Backus**, Apex, NC (US)
- (73) Assignee: **OHSNAP, INC.**, Apex, NC (US)
- (**) Term: **15 Years**
- (21) Appl. No.: **29/735,002**
- (22) Filed: **May 18, 2020**
- (51) **LOC (14) Cl.** **14-99**
- (52) **U.S. Cl.**
USPC **D14/253**
- (58) **Field of Classification Search**
USPC D14/251-253, 224, 224.1, 432-434, 447,
D14/451, 452, 250, 440; D12/114, 415,
D12/426.1, 223, 406, 407; D16/242, 244,
D16/245; D3/218; D13/108
CPC B60R 11/00; B60R 11/02; B60R 11/0241;
B60R 11/0252; B60R 2011/0003; B60R
2011/0005; B60R 2011/0008; H04M
1/04; F16M 11/00; F16M 11/04; F16M
11/041; F16M 11/06; H05K 5/0204;
A45C 11/00; A45C 2200/15; A45C
2011/002; A45F 2200/0516
See application file for complete search history.

(56) **References Cited**

U.S. PATENT DOCUMENTS

D718,236	S	*	11/2014	Murray	D13/108
D811,326	S	*	2/2018	Woo	D13/108
D869,391	S	*	12/2019	Roberts	D13/108
10,774,871	B1	*	9/2020	Srour	F16C 11/12
D944,787	S	*	3/2022	Zheng	D14/253
11,330,093	B2	*	5/2022	Backus	H04M 1/04
D960,146	S	*	8/2022	Song	D14/253
2013/0170110	A1	*	7/2013	Lee	G06F 1/1626 361/679.01

2016/0076692	A1	*	3/2016	Sun	F16M 11/24 248/461
2017/0195000	A1	*	7/2017	Srour	H04R 1/1033
2017/0318697	A1	*	11/2017	Lebovitz	F16B 11/006
2020/0063915	A1	*	2/2020	Lederer	F16M 13/04

(Continued)

OTHER PUBLICATIONS

Ohsnap! Cell Phone Grip . . . [online]. Date first available Jun. 15, 2020. [Retrieved from the Internet Nov. 3, 2022.] <URL: <https://ohsnap.com/pages/about-us>>.*

(Continued)

Primary Examiner — Rebekah A Caruso

(74) *Attorney, Agent, or Firm* — David A. Jones; Nadesan Beck P.C.

(57) **CLAIM**

The ornamental design for a cell phone grip, as shown and described.

DESCRIPTION

FIG. 1 is a perspective view of the cell phone grip, showing the new design;

FIG. 2 is a top plan view of the cell phone grip thereof;

FIG. 3 is a front elevational view of the cell phone grip thereof;

FIG. 4 is a right side elevational view of the cell phone grip thereof; and,

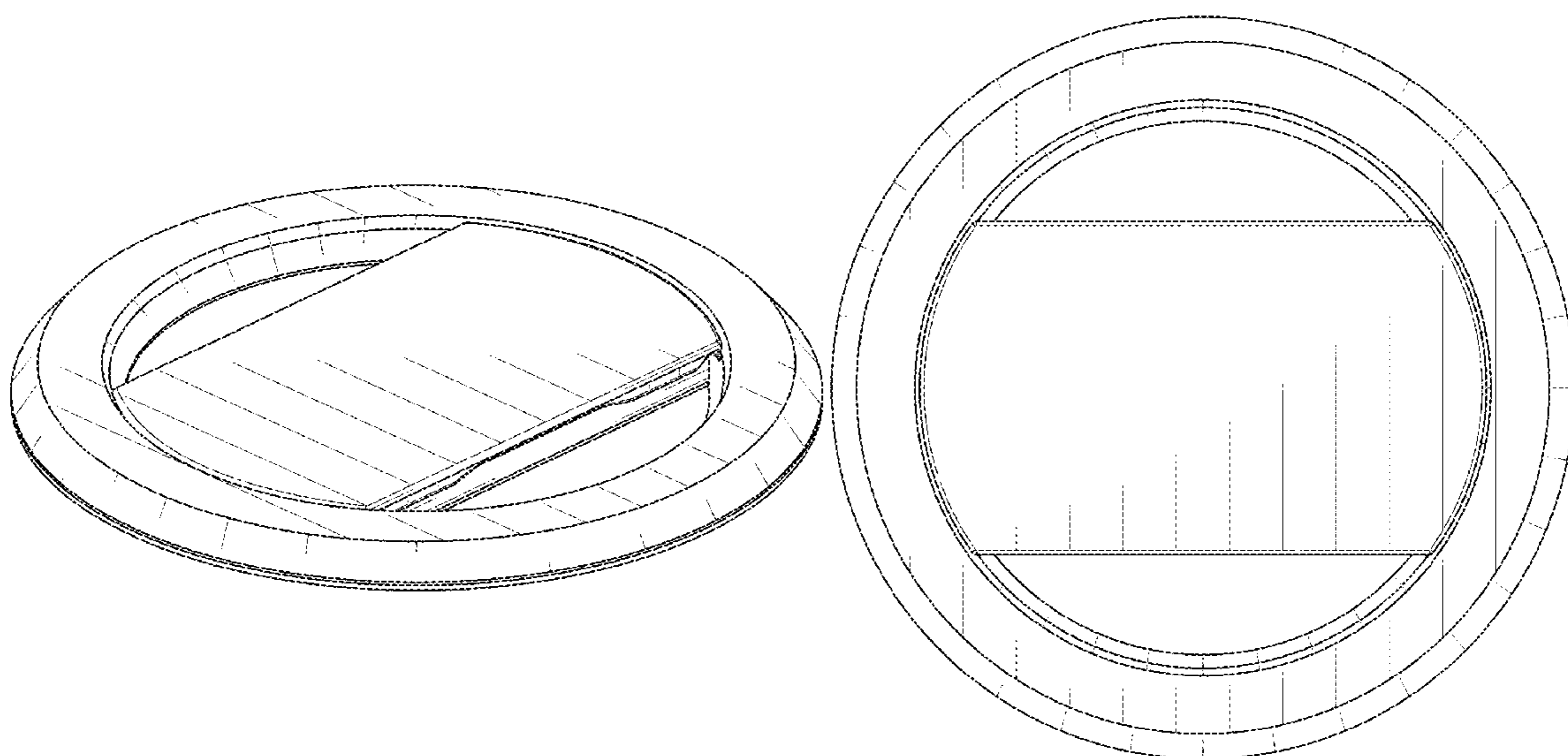
FIG. 5 is a rear elevational view of the cell phone grip thereof.

The bottom plan view of the cell phone grip is a mirror image of the top plan view of the cell phone grip shown in FIG. 2.

The left side elevational view of the cell phone grip is a mirror image of the right side elevational view of the cell phone grip shown in FIG. 4.

The broken lines in the drawings illustrate environmental subject matter and form no part of the claimed design.

1 Claim, 3 Drawing Sheets



(56)

References Cited

U.S. PATENT DOCUMENTS

2022/0255575 A1* 8/2022 Zhang F16M 11/105

OTHER PUBLICATIONS

Ohsnap: The Phone Grip that doesn't Suck Kickstarter Campaign . . . [online]. Date first available May 7, 2020. [Retrieved from the Internet Nov. 3, 2022.] <URL: <https://www.kickstarter.com/projects/ohsnapofficial/ohsnap-the-phone-grip-that-doesnt-suck> >.*

Phonemate Phone Grip [online]. No post date. [Retrieved from Internet Nov. 3, 2022.] <https://colormypods.com/products/phonemate-phone-grip-elastic-silicone-phone-grip-strap-2021-newest-cell-phone-holder-for-hand-ultra-thin-phone-strap-holder-for-hand-phone-finger-holder-phone-ring-grip-phone-loop-with-2-pack-purple>.*

* cited by examiner

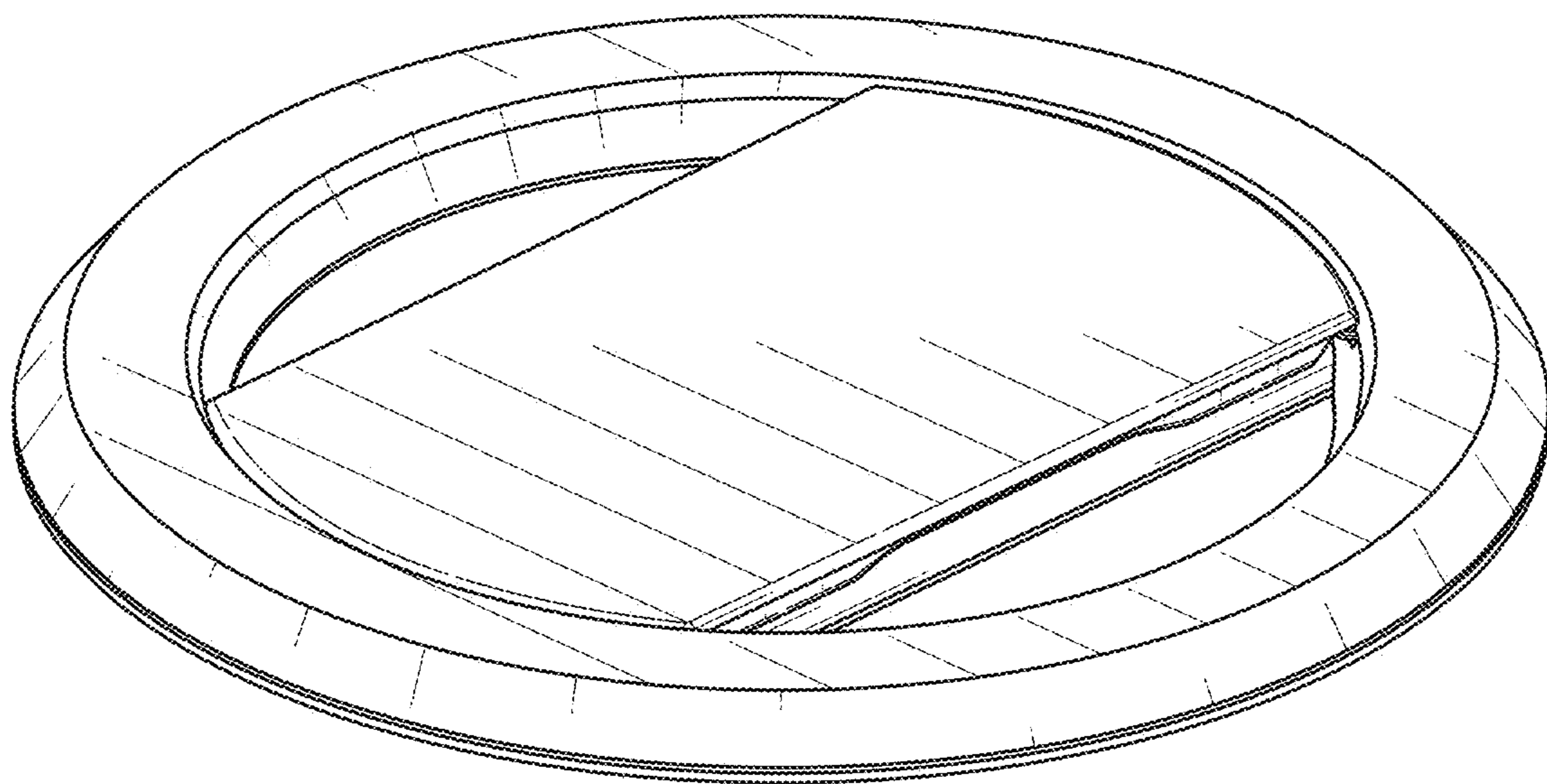


FIG. 1



FIG. 2

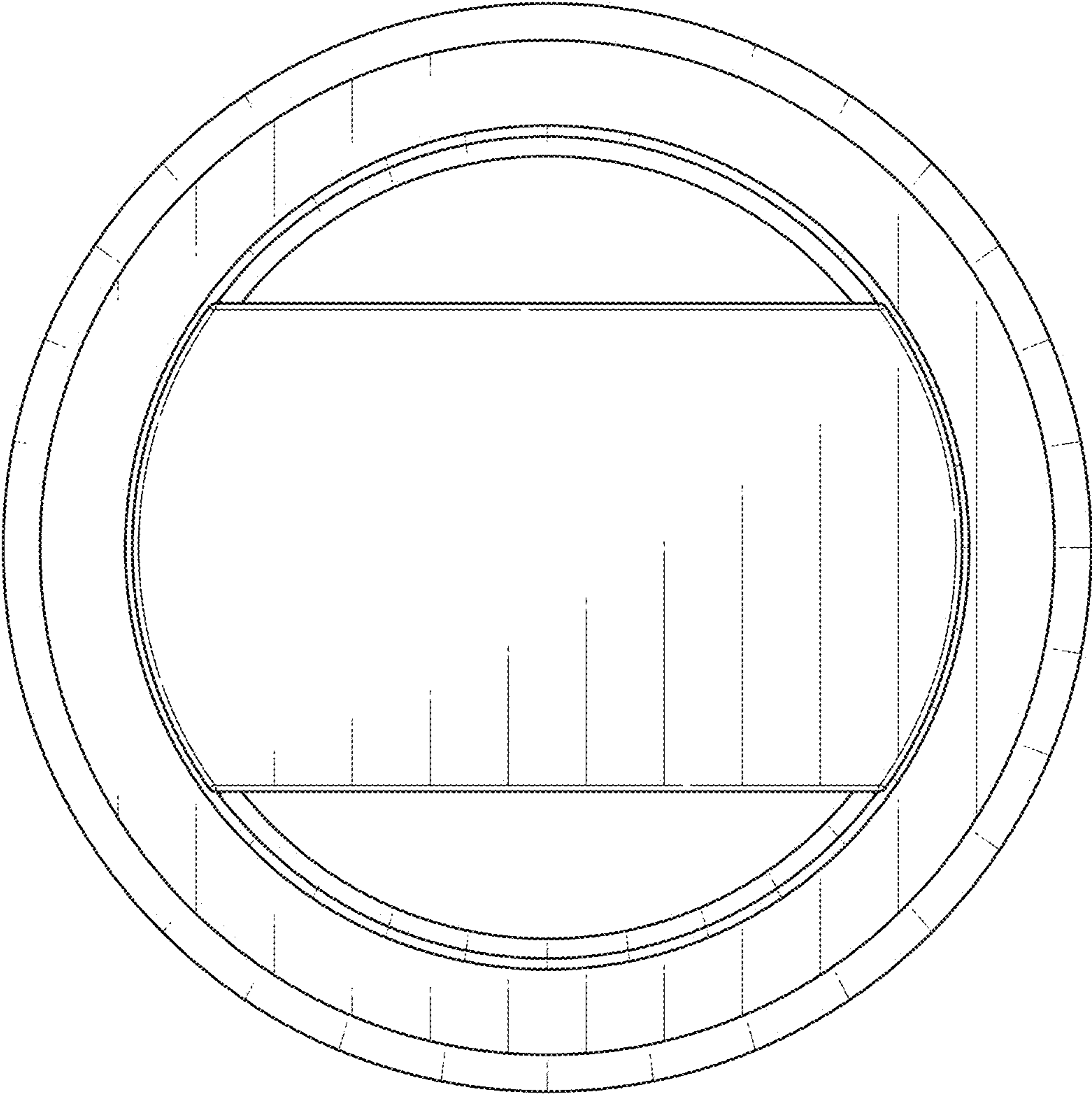


FIG. 3

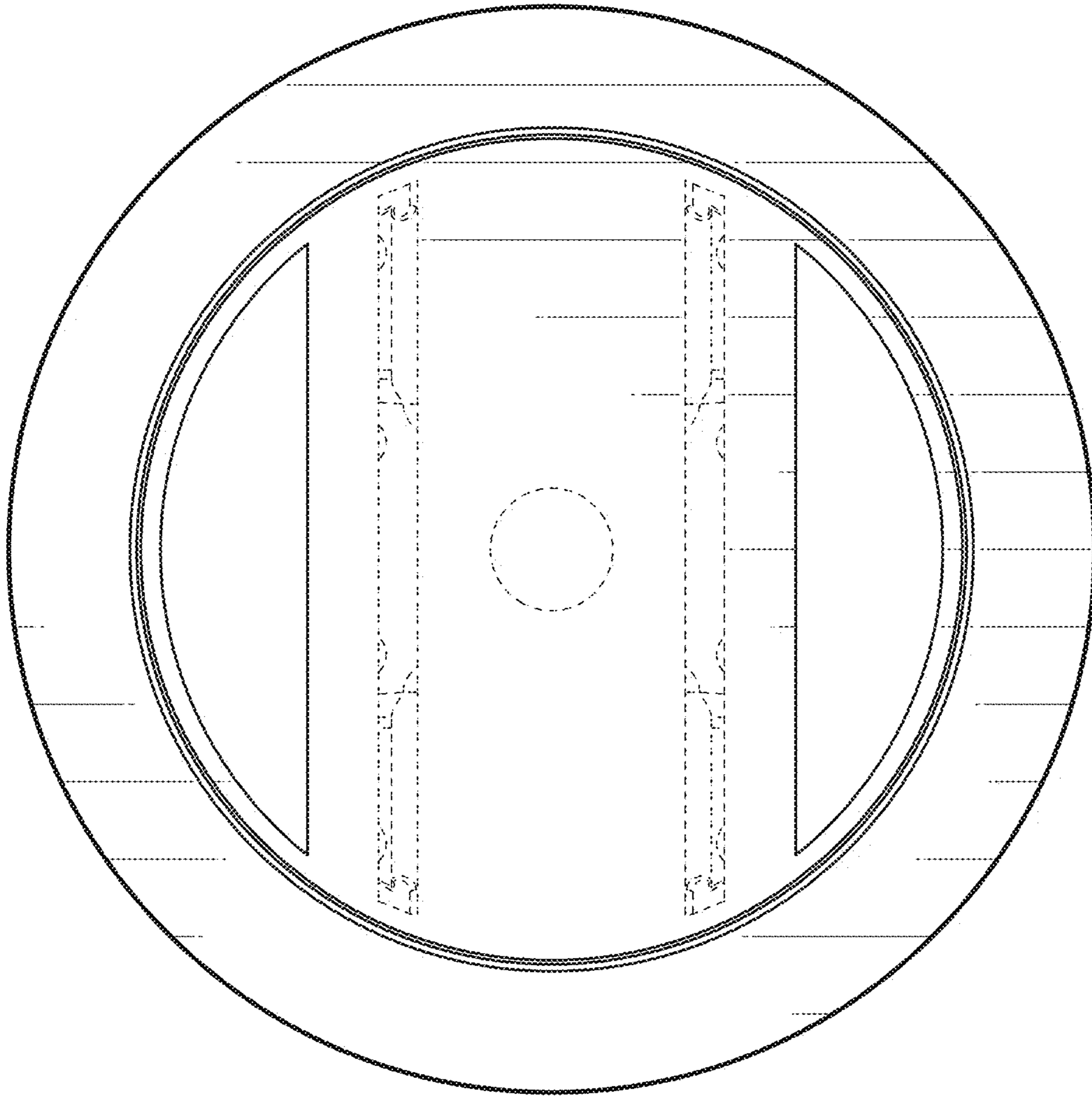


FIG. 5

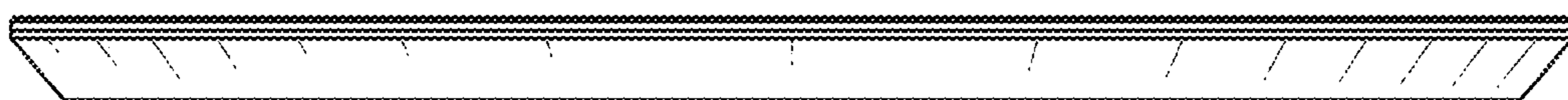


FIG. 4