



US00D976245S

(12) **United States Design Patent**
Kim et al.

(10) **Patent No.:** **US D976,245 S**
(45) **Date of Patent:** **** Jan. 24, 2023**

(54) **HOTSPOT ACCESSORY**

(71) Applicant: **INSEEGO CORP.**, San Diego, CA
(US)

(72) Inventors: **Sean Kim**, San Diego, CA (US); **Pedro Gutierrez**, San Diego, CA (US)

(73) Assignee: **INSEEGO, CORP.**, San Diego, CA
(US)

(**) Term: **15 Years**

(21) Appl. No.: **29/753,460**

(22) Filed: **Sep. 30, 2020**

(51) **LOC (14) Cl.** **14-03**

(52) **U.S. Cl.**
USPC **D14/240**; D14/358; D16/208

(58) **Field of Classification Search**
USPC D14/356, 357, 358, 217, 251–253, 432,
D14/433, 434, 435, 435.1, 240, 299, 496,
D14/140.1, 140.6, 155, 171, 172, 168,
D14/129, 447; D16/202, 208, 219
CPC G06F 1/1632; G06F 13/382; G06F 13/385;
G06F 13/387; G06F 15/1735; G06F
2212/303; G06F 2213/3808; G06F
2213/3814; H04W 88/00; H04W 88/005;
H04W 88/02; H04W 88/08; H04W
88/085; H04W 92/18; H04W 92/20;
H04N 5/2253

See application file for complete search history.

(56) **References Cited**

U.S. PATENT DOCUMENTS

D379,463 S *	5/1997	Richter	D14/253
D388,107 S *	12/1997	Huckins	D16/208
D411,542 S *	6/1999	Richter	D14/253
D431,250 S *	9/2000	Richter	D14/447
D456,024 S *	4/2002	Richter	D14/434
D490,080 S *	5/2004	Alviar	D14/433
D529,905 S *	10/2006	Richter	D14/447
D535,988 S *	1/2007	Kettula	D14/253
D540,359 S *	4/2007	Renkis	D16/208

(Continued)

Primary Examiner — Marie D. Fast Horse

(74) *Attorney, Agent, or Firm* — Sheppard, Mullin,
Richter & Hampton LLP; Hector A. Agdeppa; Daniel N.
Yannuzzi

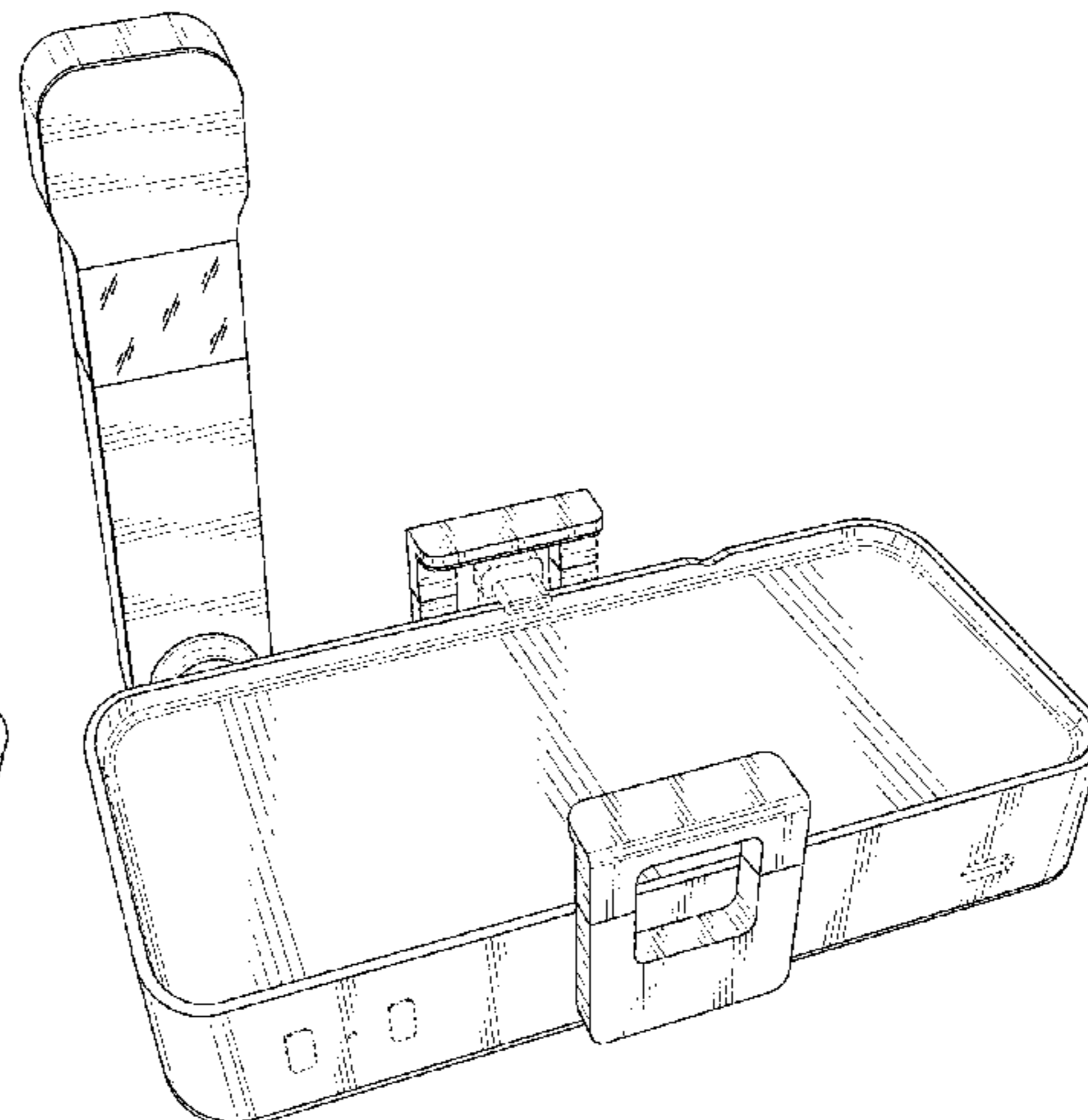
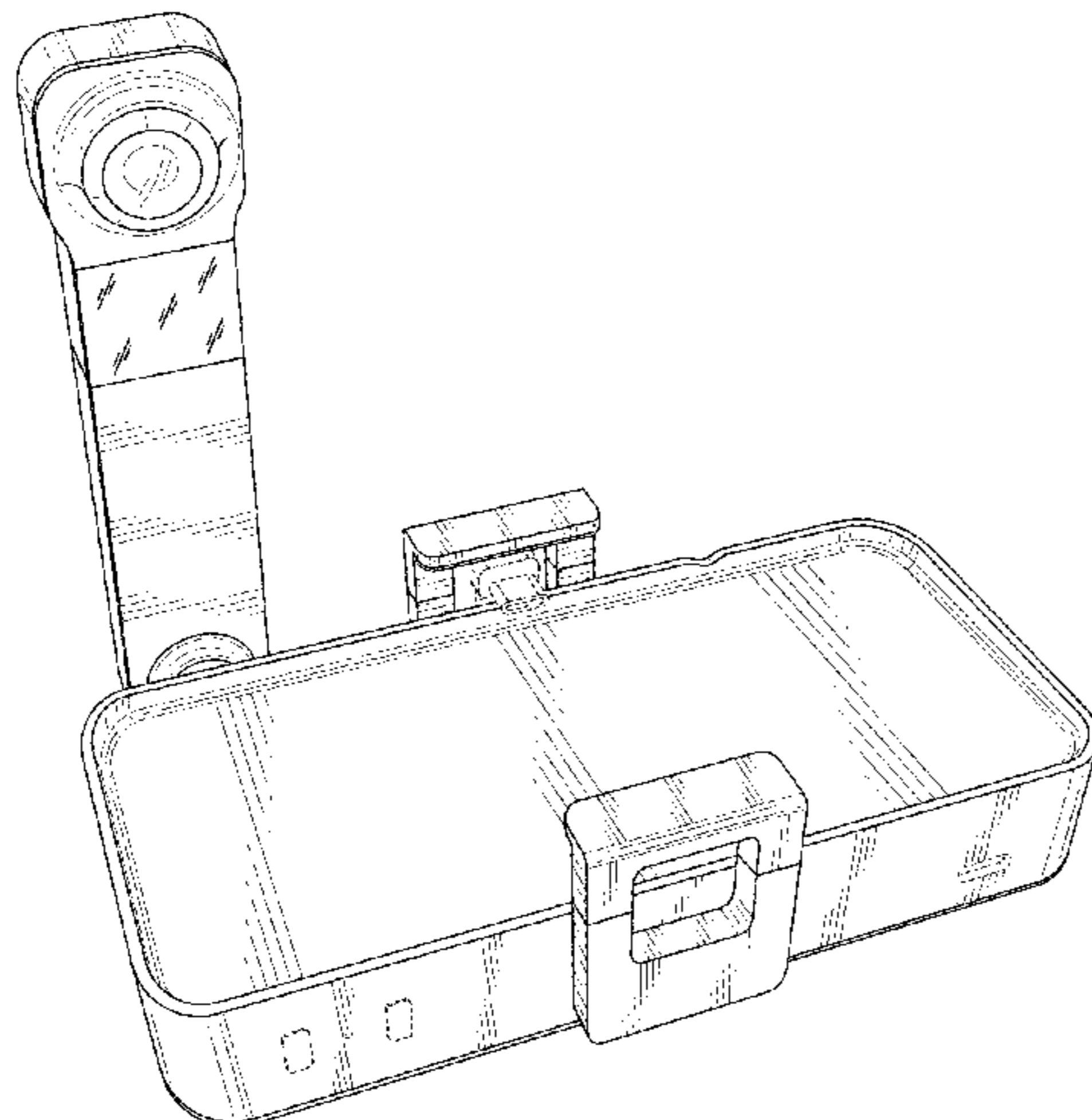
(57) **CLAIM**

We claim the ornamental design for a hotspot accessory, as shown and described.

DESCRIPTION

FIG. 1 is a top perspective view of a hotspot accessory adapter in accordance with a first embodiment of our new design, shown in a position for use;
 FIG. 2 is another top perspective view thereof, shown in and alternate position for use;
 FIG. 3 is another top perspective view thereof, shown in another alternate position for use;
 FIG. 4 is a bottom perspective view thereof;
 FIG. 5 is a top view thereof;
 FIG. 6 is a bottom view thereof;
 FIG. 7 is a first side view thereof;
 FIG. 8 is a second side view thereof;
 FIG. 9 is a third side view thereof; and
 FIG. 10 is a fourth side view thereof.
 FIG. 11 is a top perspective view of a hotspot accessory adapter in accordance with a second embodiment of our new design, shown in a position for use;
 FIG. 12 is another top perspective view thereof, shown in and alternate position for use;
 FIG. 13 is a first side view thereof, shown in the position of FIG. 1;
 FIG. 14 is a second side view thereof;
 FIG. 15 is a third side view thereof; and
 FIG. 16 is a fourth side view thereof.
 FIG. 17 is a top view thereof; and,
 FIG. 18 is a bottom view thereof.
 The dashed lines depict portions of the hotspot accessory that form no part of the claimed design.

1 Claim, 18 Drawing Sheets



(56)

References Cited

U.S. PATENT DOCUMENTS

D551,668 S * 9/2007 Newby D14/433
 D552,610 S * 10/2007 Newby D14/433
 D566,118 S * 4/2008 Brassard D14/434
 D570,844 S * 6/2008 Liu D14/433
 D606,065 S * 12/2009 Rihu D14/253
 D607,482 S * 1/2010 Inoue D16/208
 D620,514 S * 7/2010 Kim D16/208
 D626,953 S * 11/2010 Wilson D14/252
 D636,424 S * 4/2011 Lin D16/202
 D685,380 S * 7/2013 Richter D14/447
 D685,774 S * 7/2013 Kim D14/240
 D685,804 S * 7/2013 Richter D14/447
 D707,672 S * 6/2014 Lai D14/253
 D712,394 S * 9/2014 Booth D14/253
 D746,348 S * 12/2015 Park D16/203
 D749,596 S * 2/2016 Khodapanah D14/447
 D752,571 S * 3/2016 Richter D14/253
 D772,218 S * 11/2016 Alesi D14/253
 D777,675 S * 1/2017 Miller D13/144
 D785,638 S * 5/2017 Hsu D14/447
 D815,181 S * 4/2018 Ahman D16/219

D824,987 S * 8/2018 Boling D16/208
 D831,725 S * 10/2018 Meneses D16/208
 D832,253 S * 10/2018 Delibie D14/240
 D838,246 S * 1/2019 Miller D13/144
 D844,006 S * 3/2019 Molnár D14/358
 D847,800 S * 5/2019 Wengreen D14/251
 D853,400 S * 7/2019 Baldree H04W 4/02
 D861,541 S * 10/2019 Yan D12/114
 D872,014 S * 1/2020 Zhang D14/253
 D877,066 S * 3/2020 Zhang D12/415
 D878,381 S * 3/2020 Li D14/447
 D881,200 S * 4/2020 Leeds-Frank D14/447
 D884,055 S * 5/2020 Jeong D16/208
 D887,417 S * 6/2020 Yarbough D14/447
 D896,177 S * 9/2020 Zheng D13/108
 D899,429 S * 10/2020 Akana D14/439
 D901,482 S * 11/2020 Koo D14/253
 D902,897 S * 11/2020 Zhou D14/358
 D934,235 S * 10/2021 Liao D14/253
 D939,512 S * 12/2021 Akana D14/439
 D946,492 S * 3/2022 Qu D12/415
 2022/0132076 A1 * 4/2022 Picker H04N 7/183

* cited by examiner

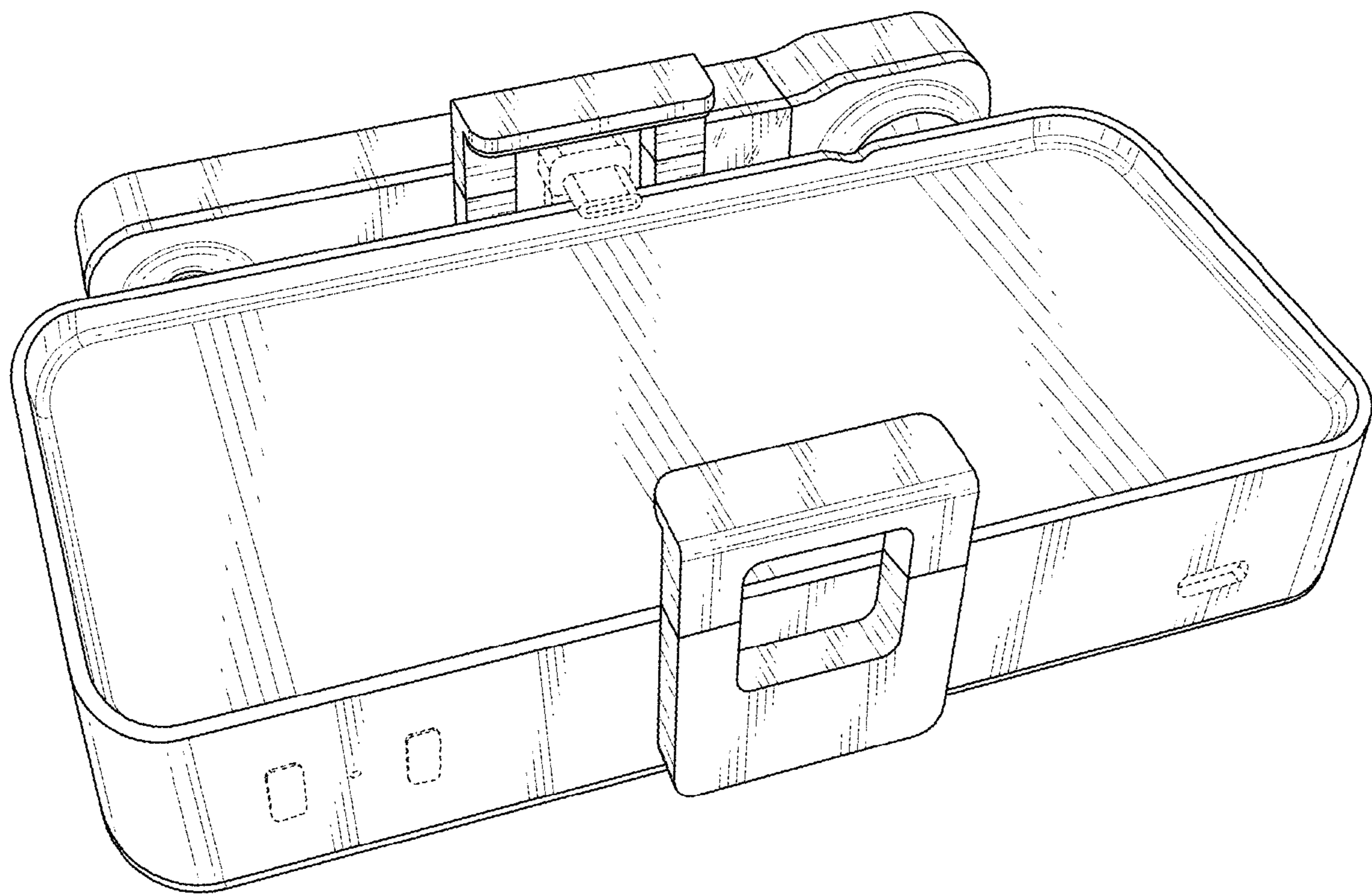


FIG. 1

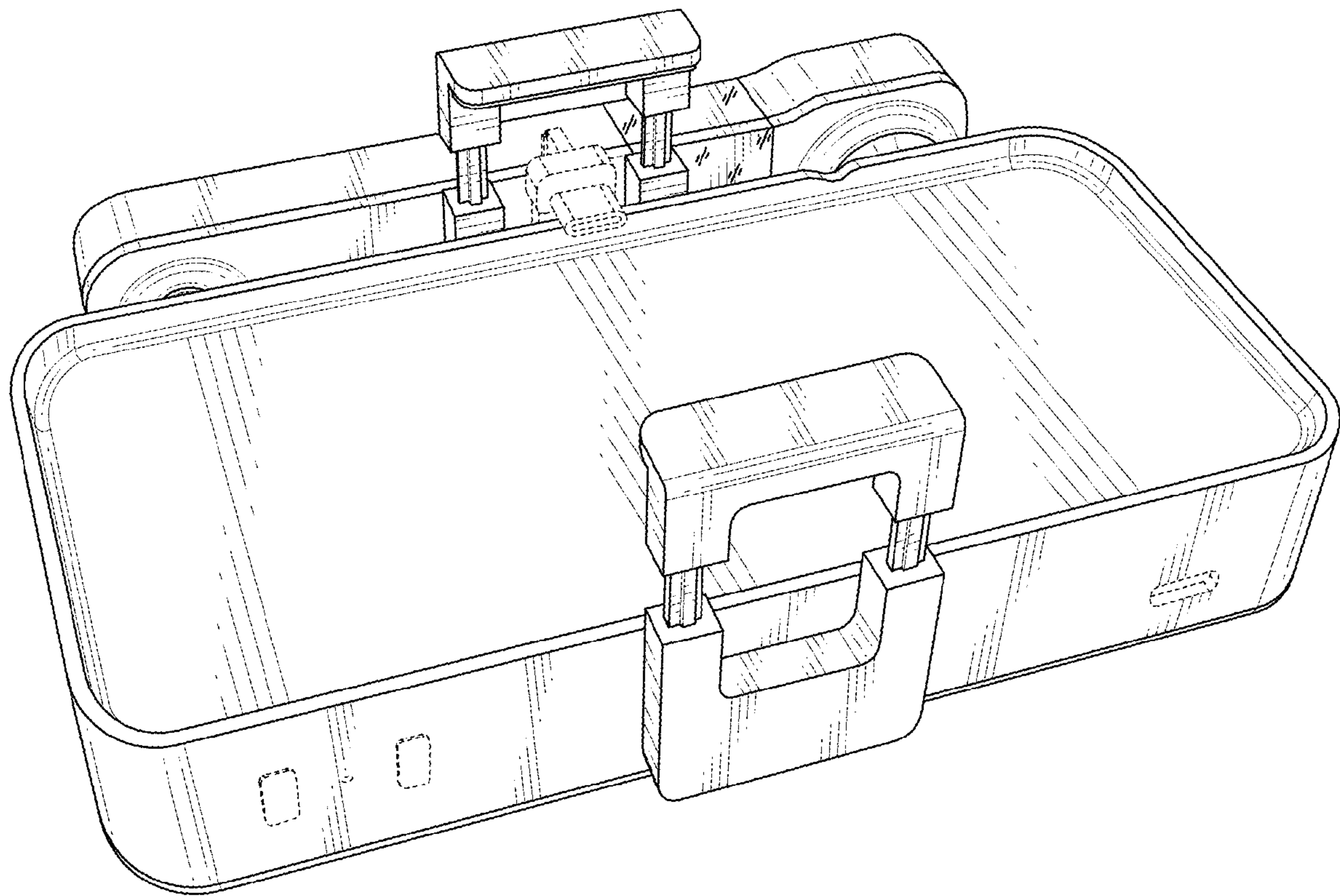


FIG. 2

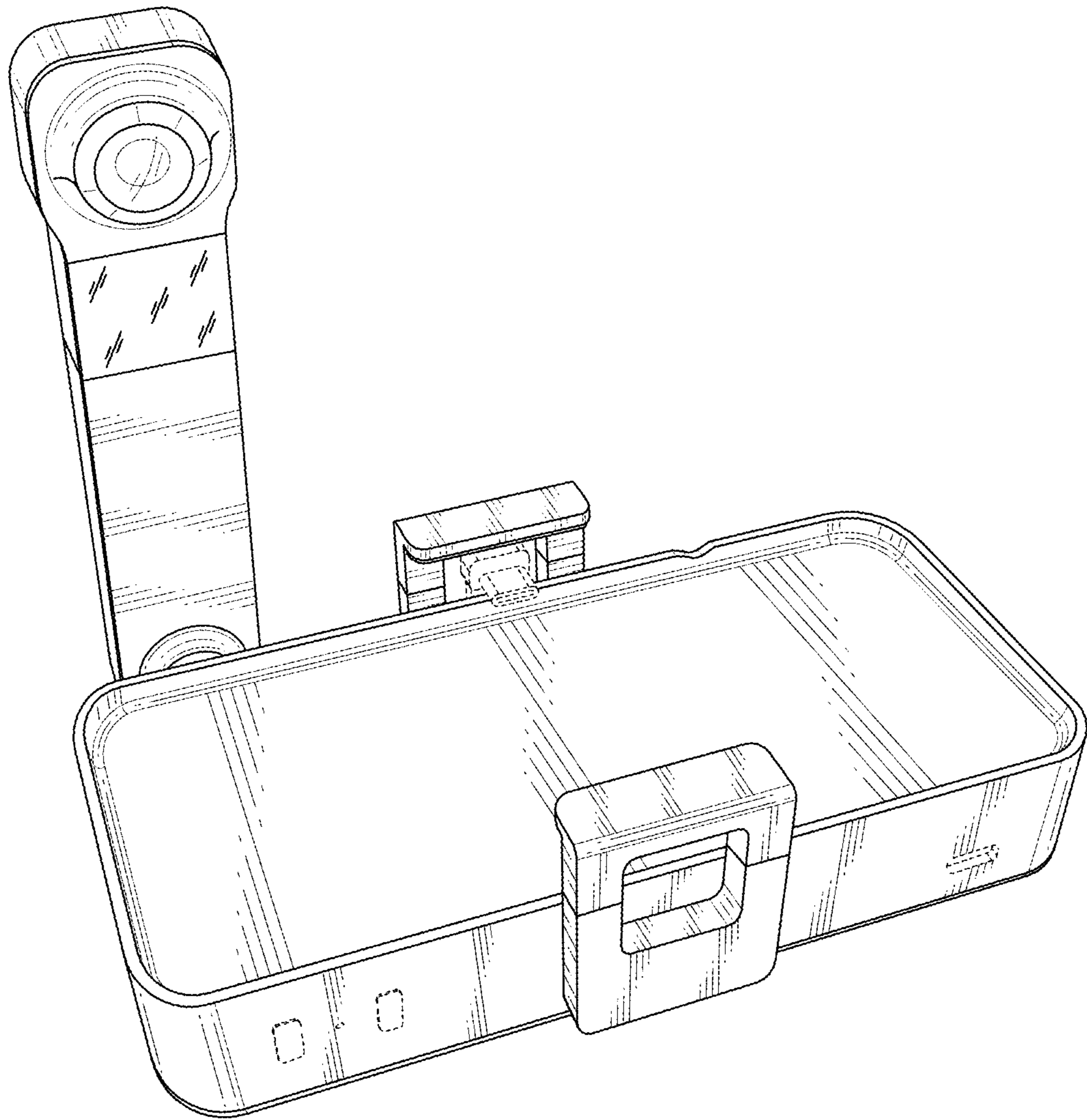


FIG. 3

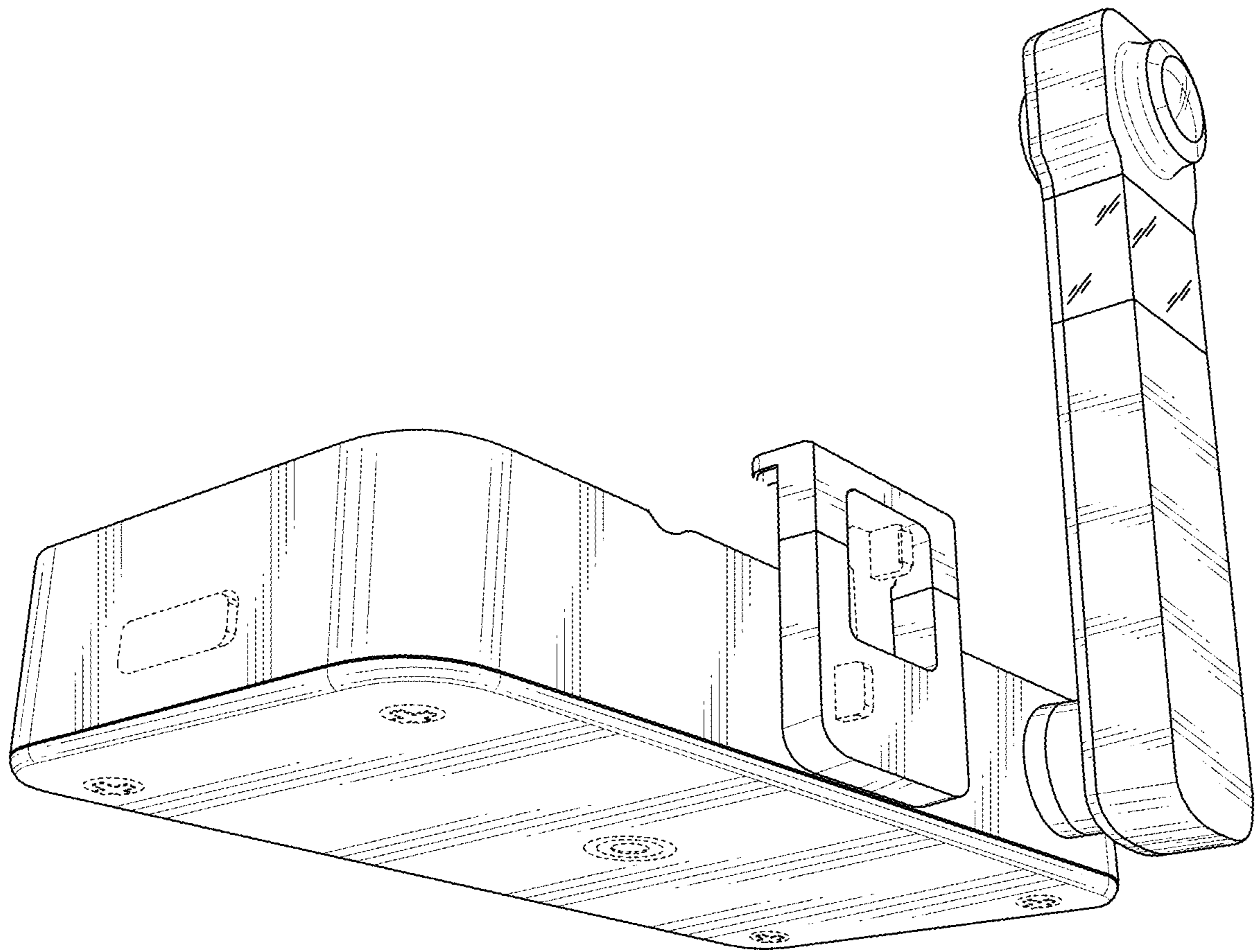


FIG. 4

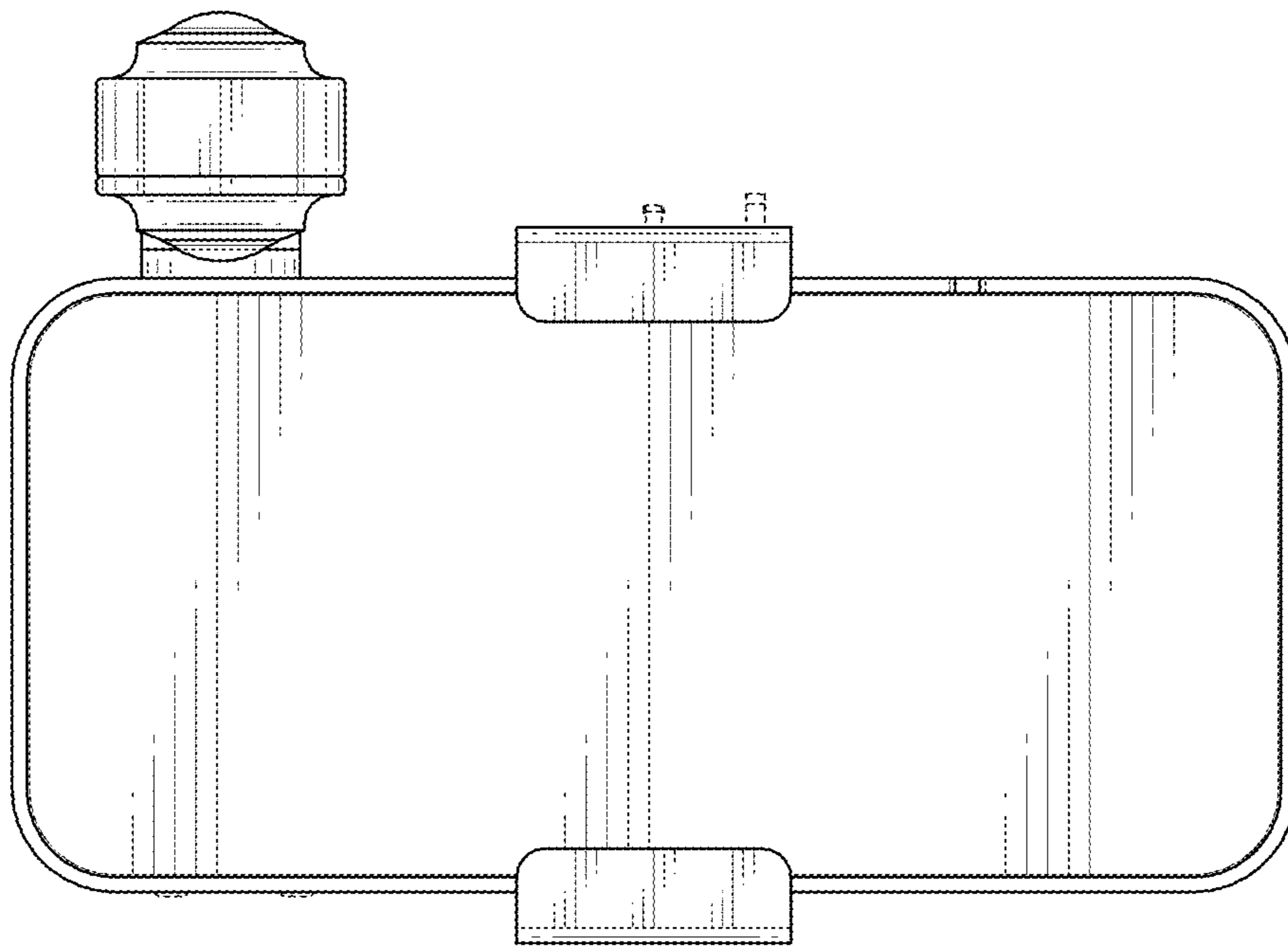


FIG. 5

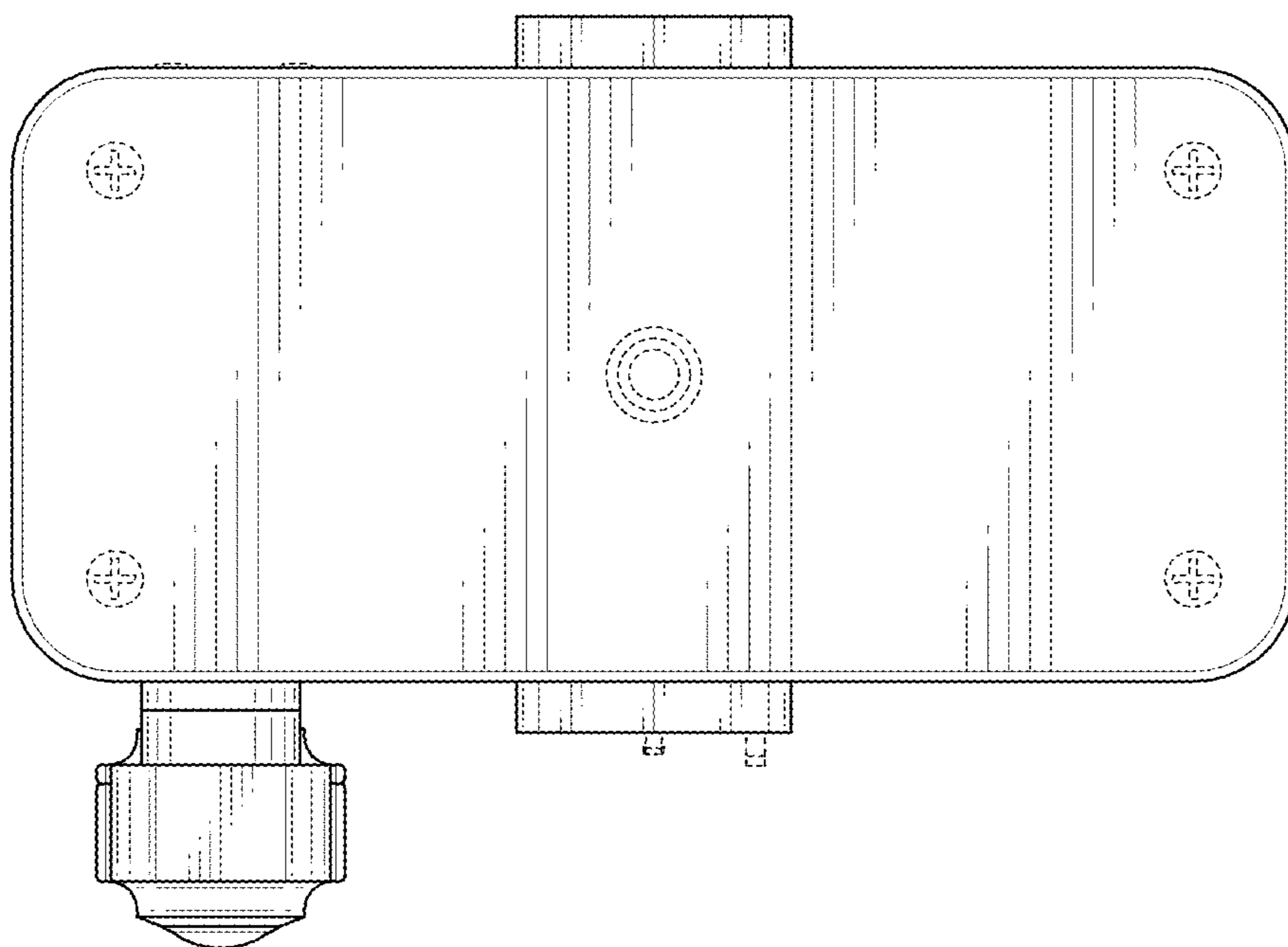


FIG. 6

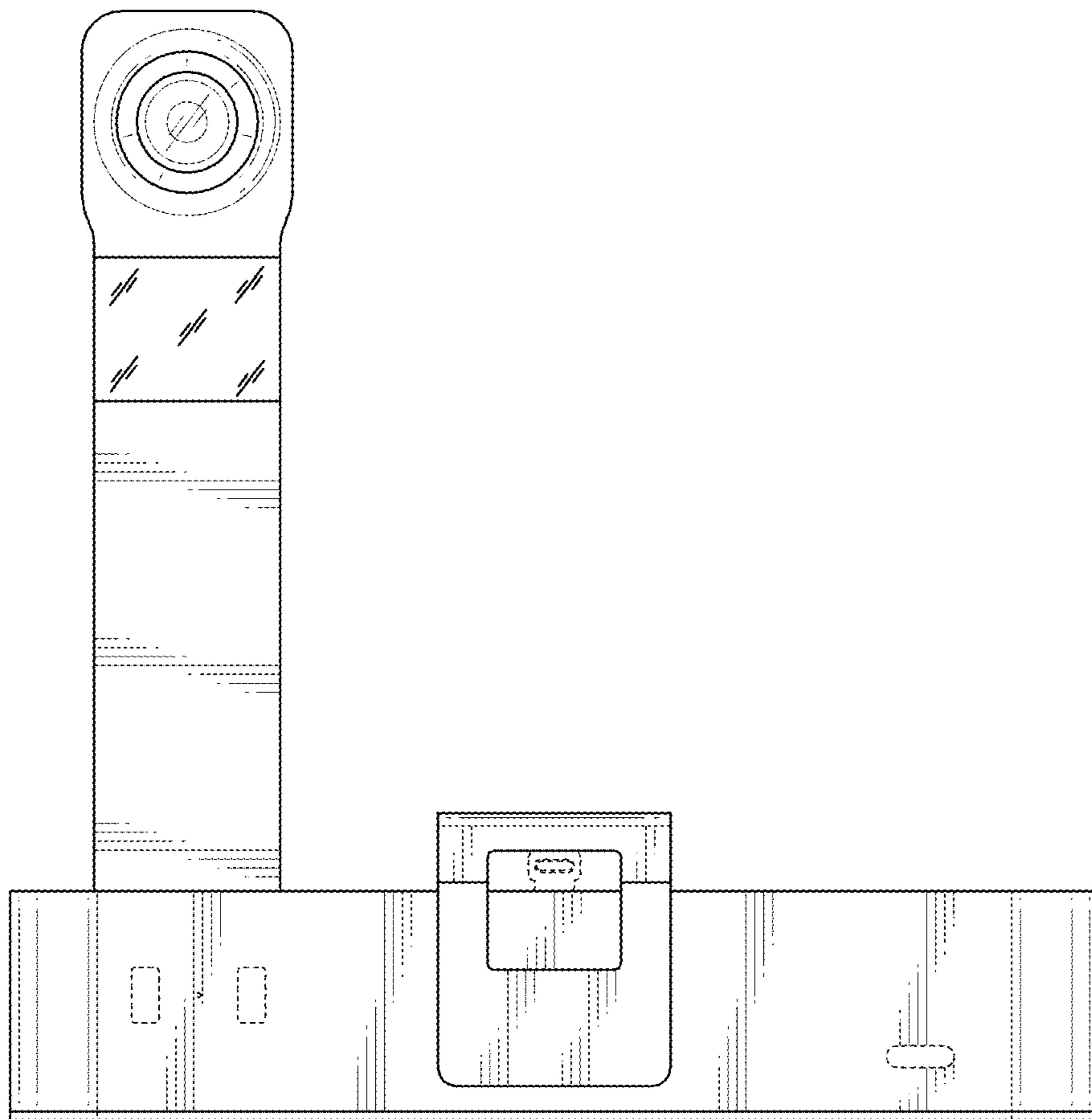


FIG. 7

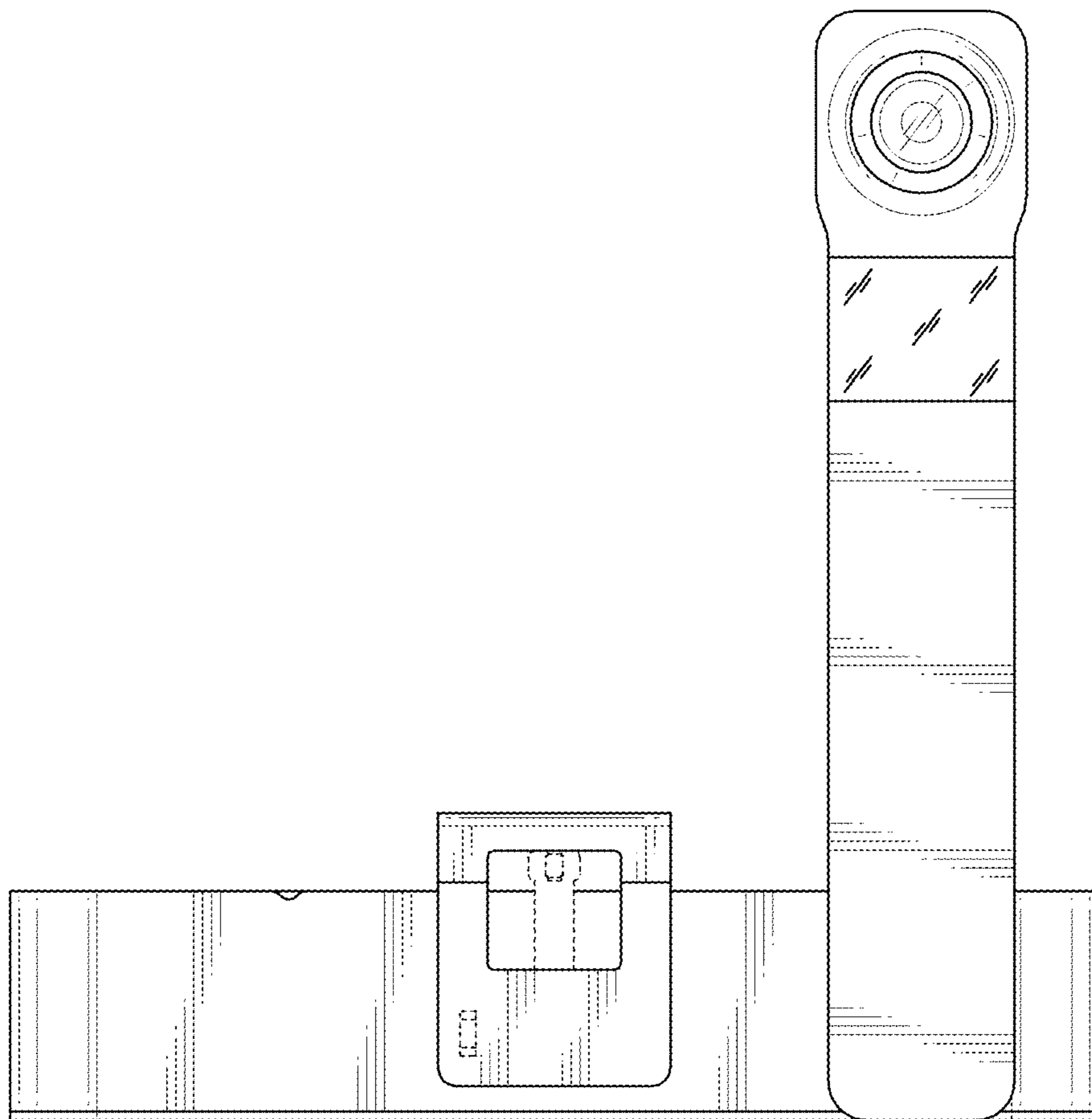


FIG. 8

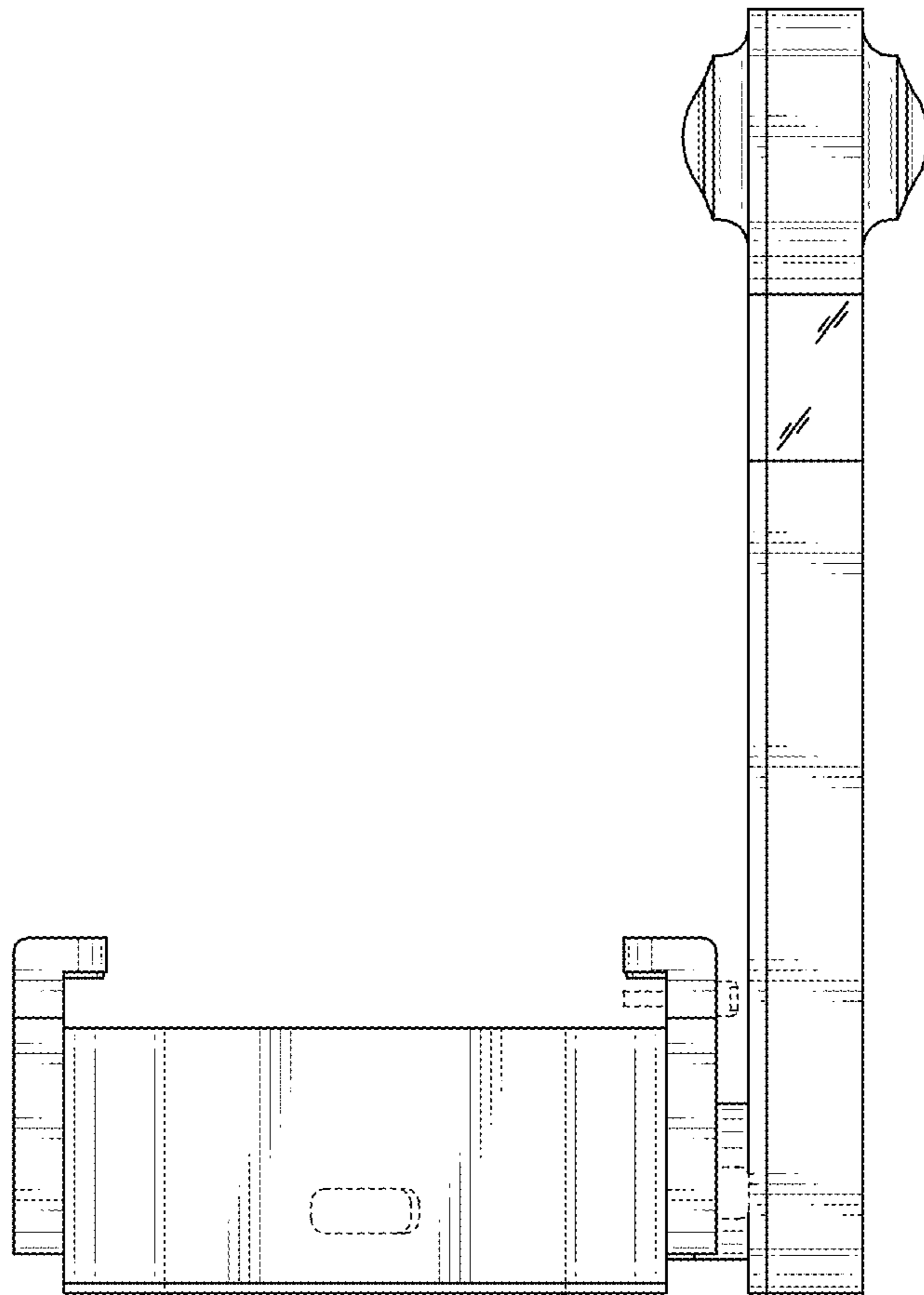


FIG. 9

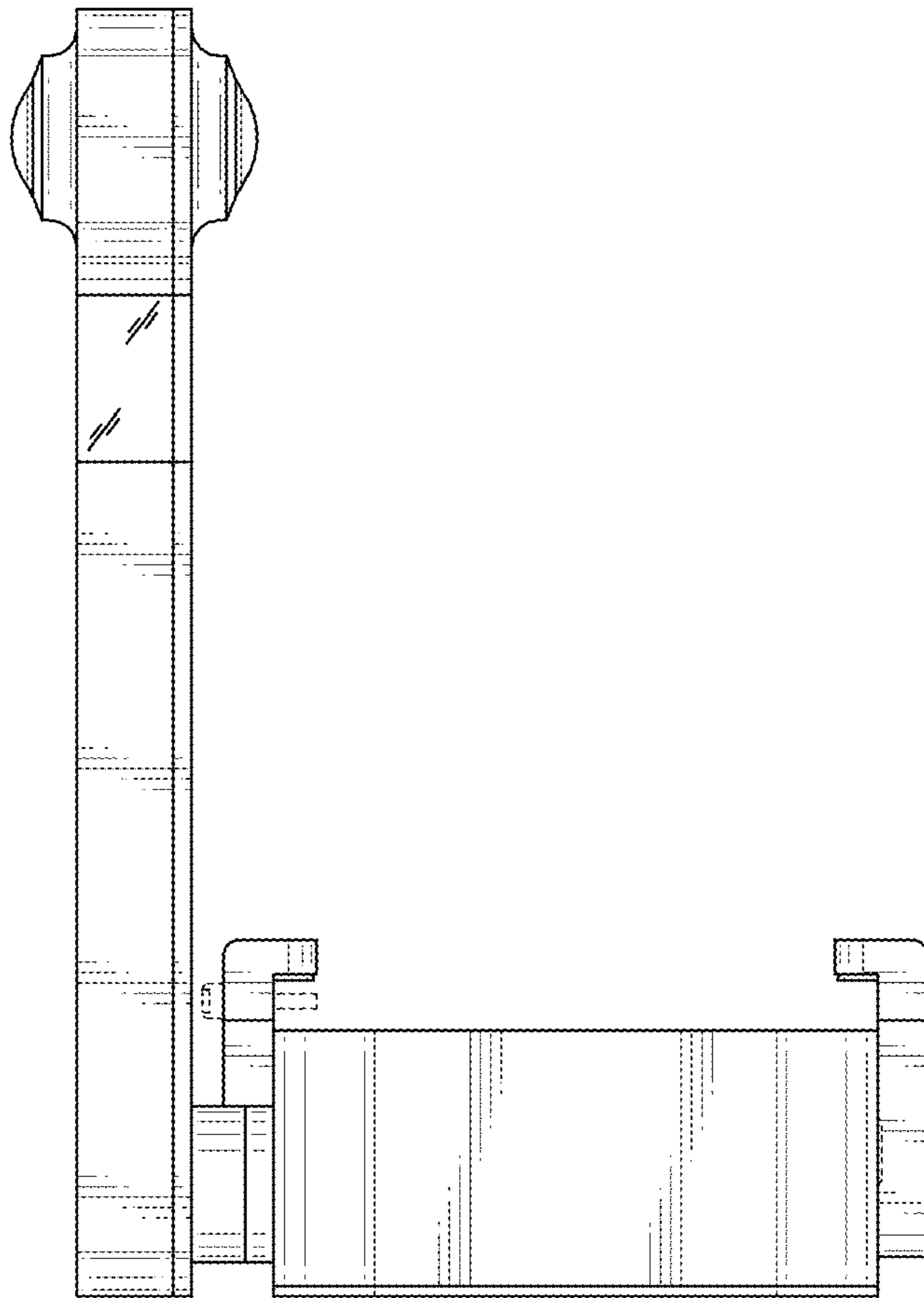


FIG. 10

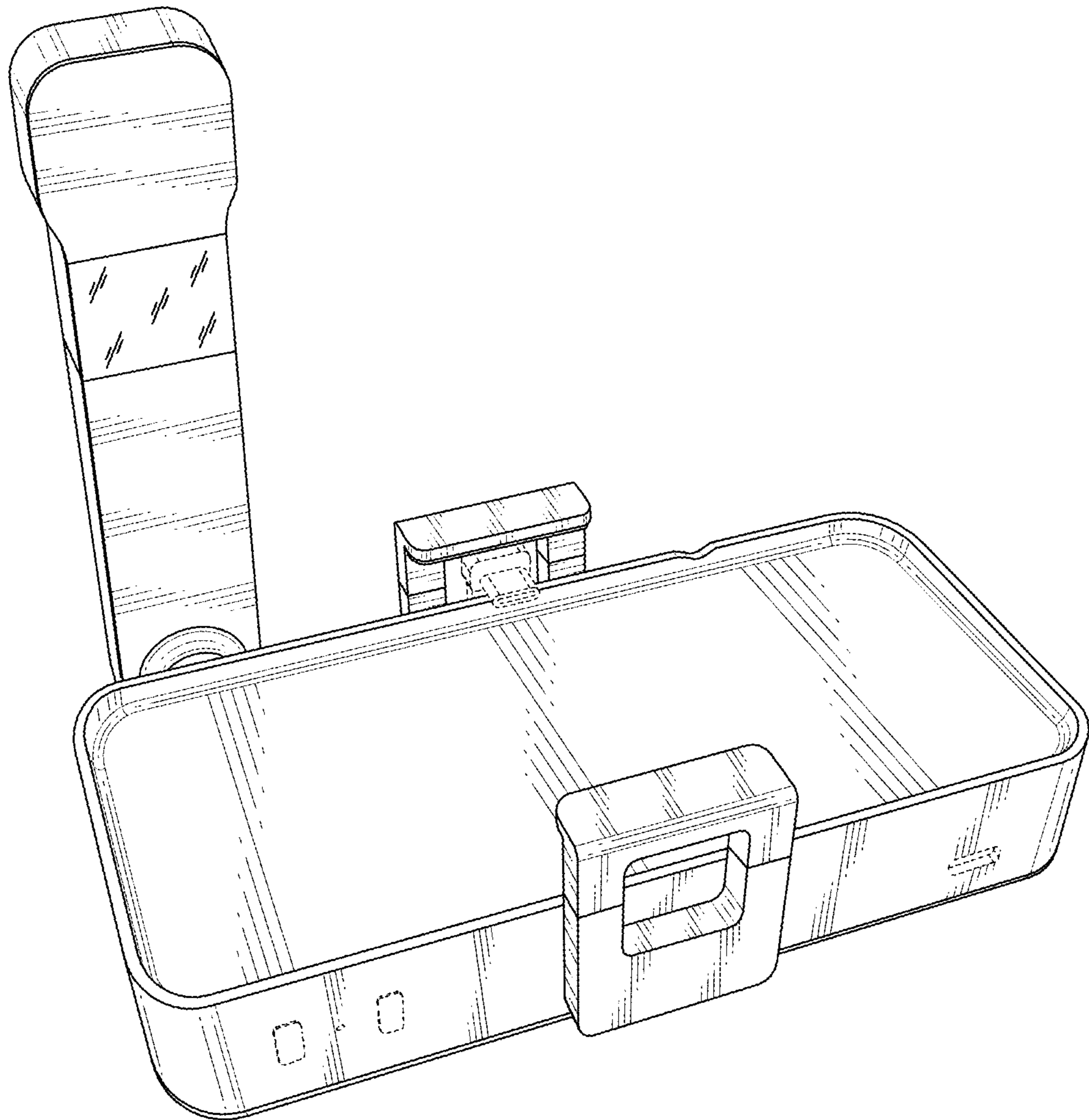


FIG. 11

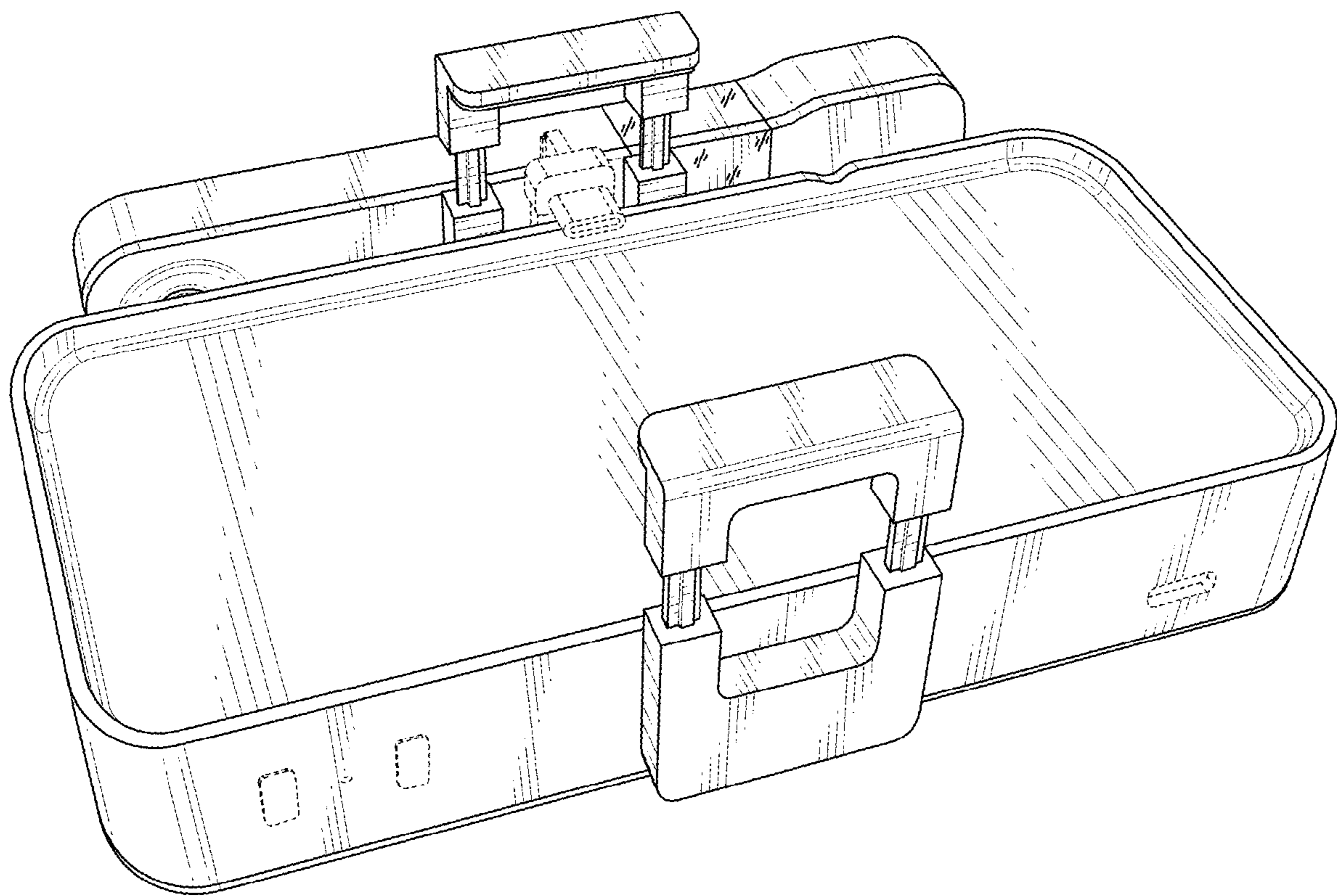


FIG. 12

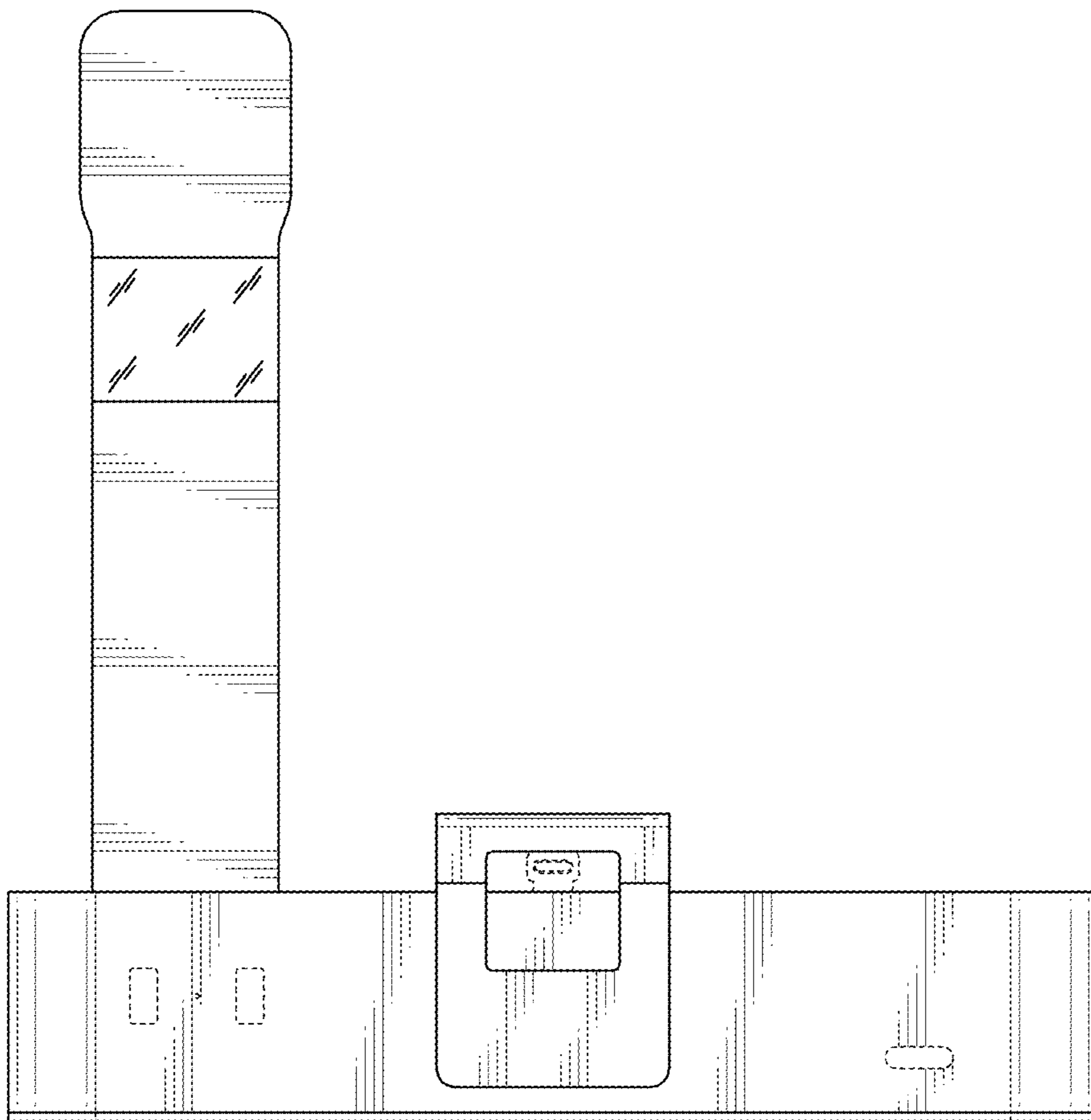


FIG. 13

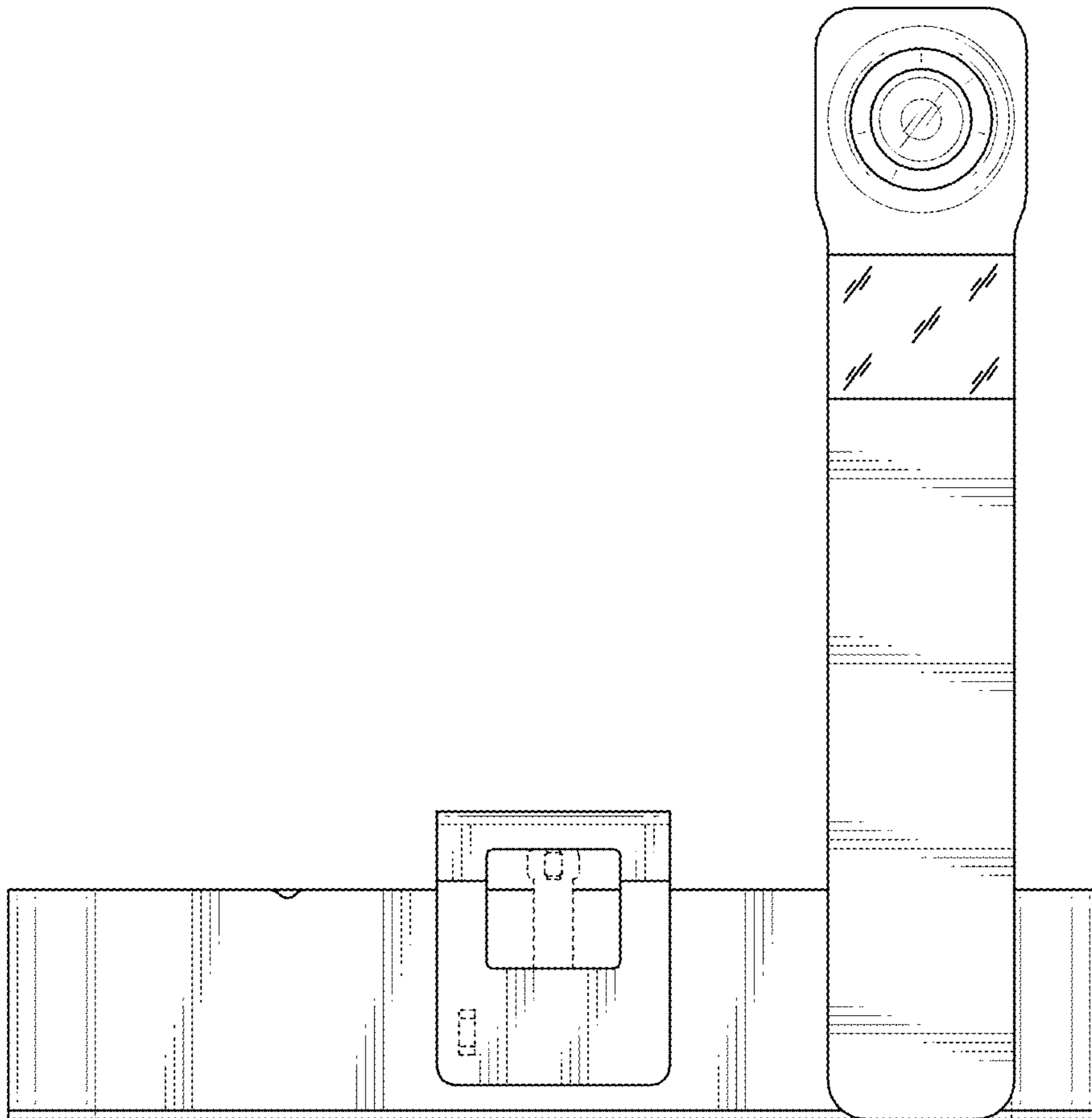


FIG. 14

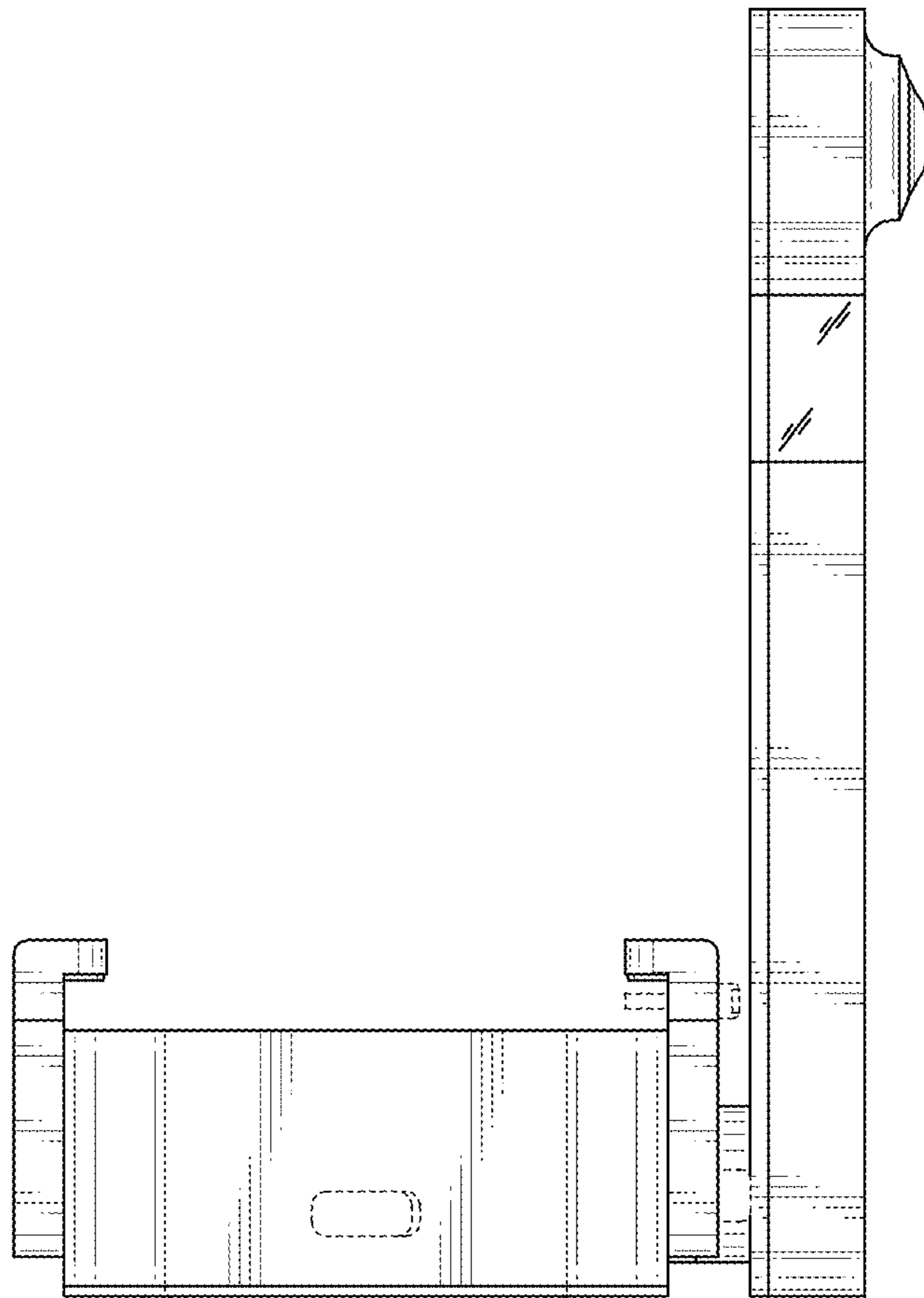


FIG. 15

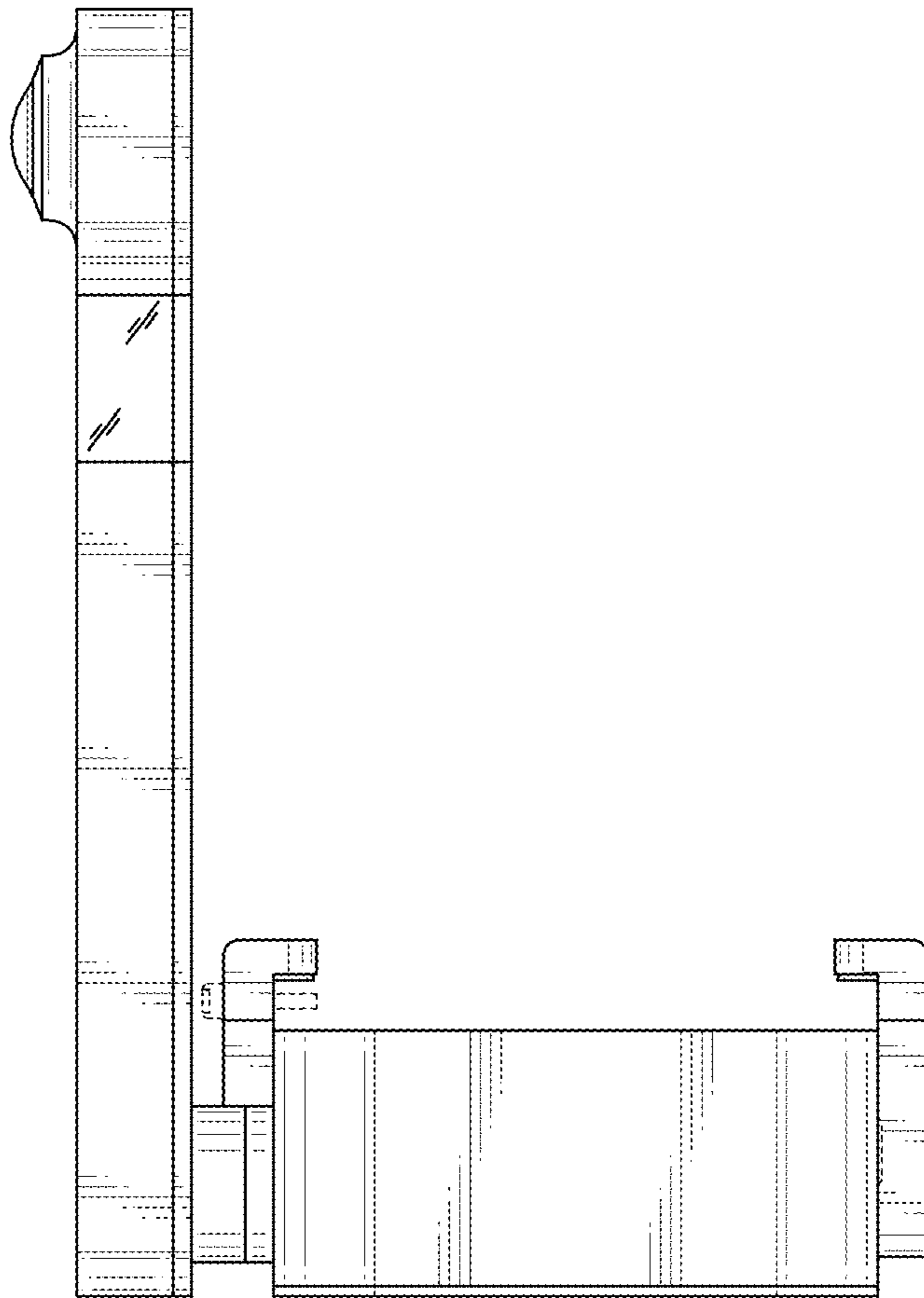


FIG. 16

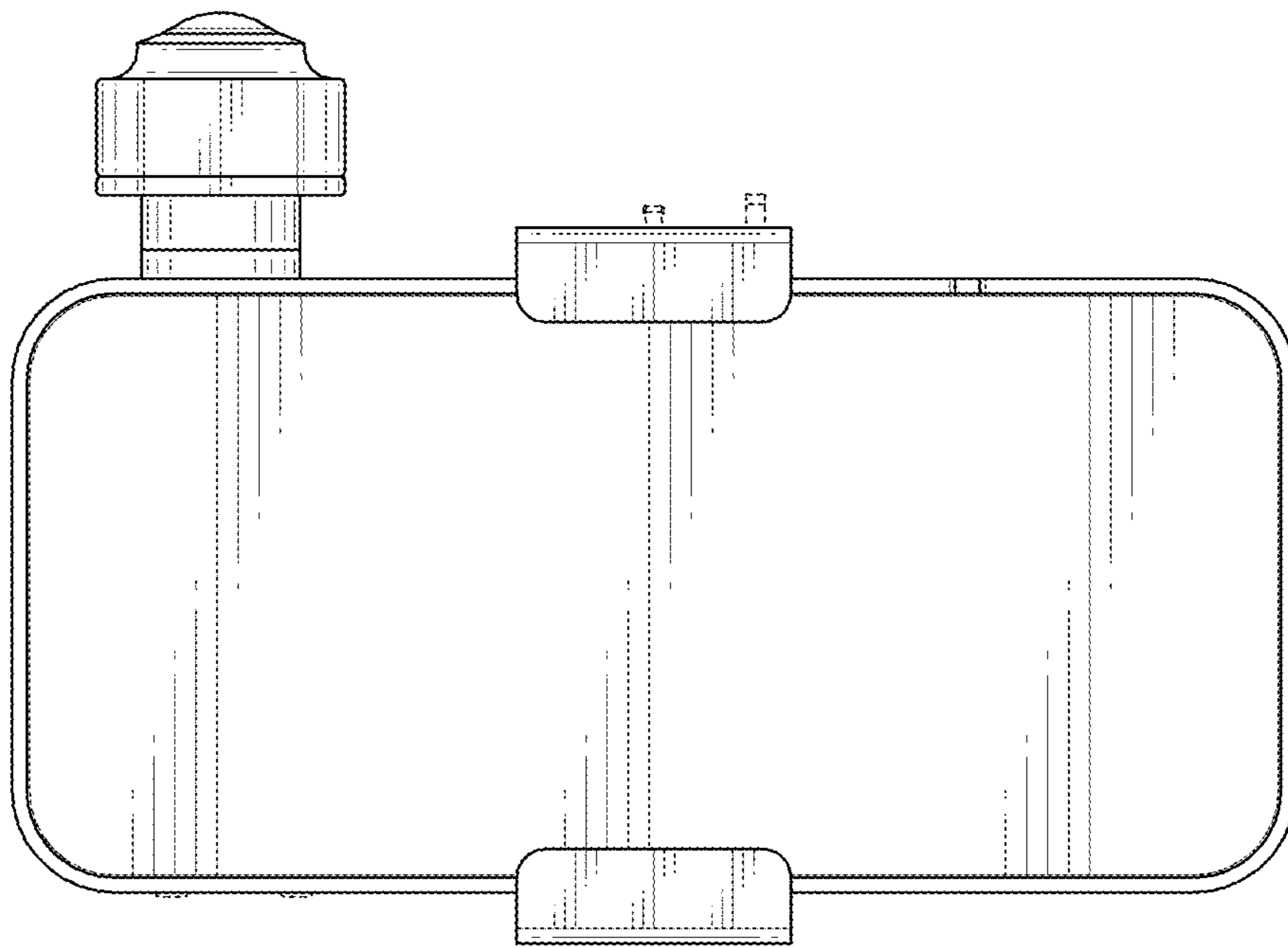


FIG. 17

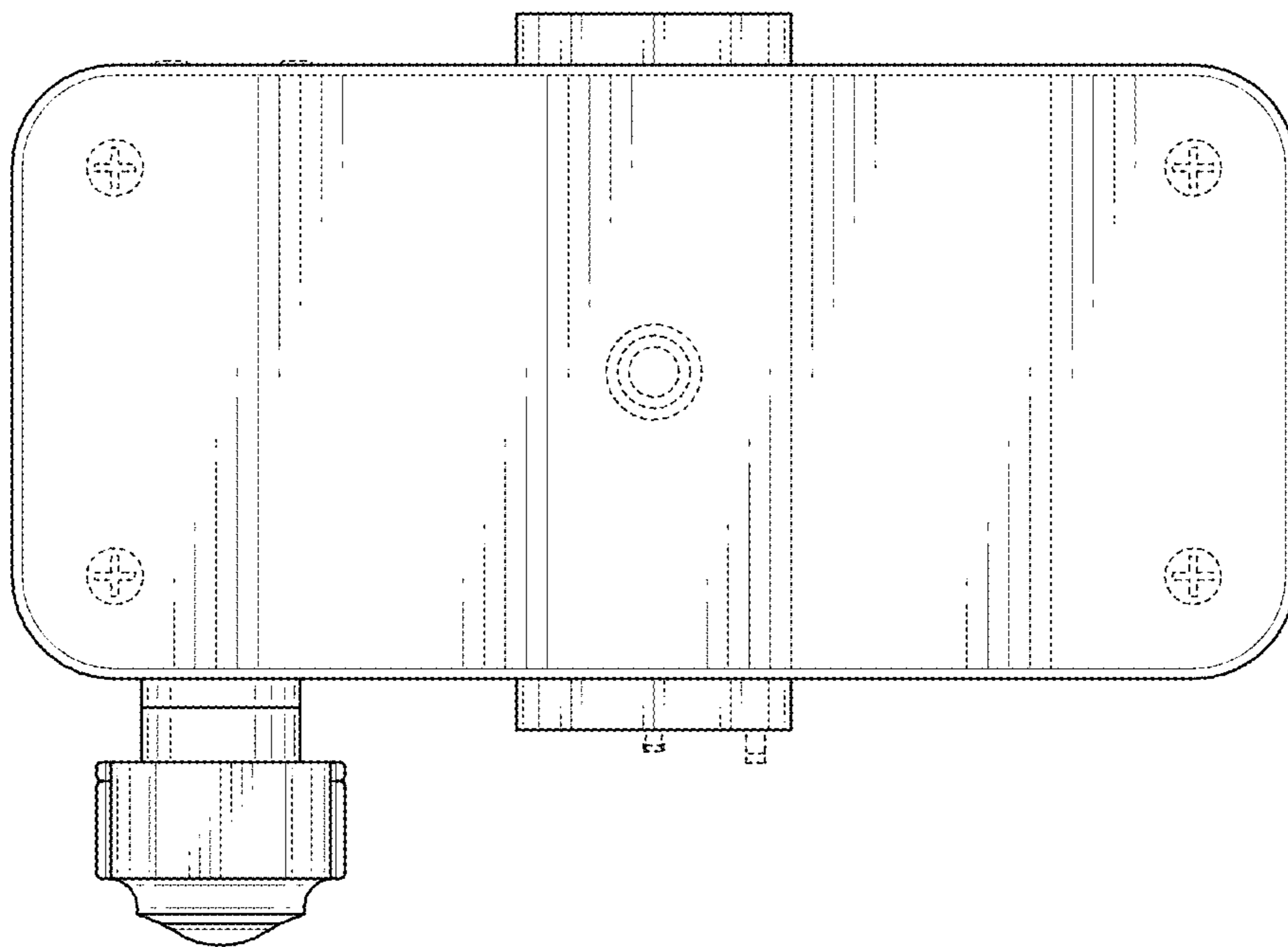


FIG. 18