



US00D976244S

(12) **United States Design Patent**
Yang et al.

(10) **Patent No.:** **US D976,244 S**
(45) **Date of Patent:** **** Jan. 24, 2023**

- (54) **ANTENNA BASE**
- (71) Applicant: **SHENZHEN ANTOP TECHNOLOGY LIMITED**,
Guangdong (CN)
- (72) Inventors: **Ruidian Yang**, Guangdong (CN);
Boliang Yang, Guangdong (CN)
- (73) Assignee: **SHENZHEN ANTOP TECHNOLOGY LIMITED**,
Guangdong (CN)
- (**) Term: **15 Years**
- (21) Appl. No.: **29/700,366**
- (22) Filed: **Aug. 1, 2019**
- (51) **LOC (14) Cl.** **14-03**
- (52) **U.S. Cl.**
USPC **D14/238**
- (58) **Field of Classification Search**
USPC D14/230–238, 299, 258
CPC H01Q 13/10; H01Q 9/285; H01Q 19/30
See application file for complete search history.

(56) **References Cited**

U.S. PATENT DOCUMENTS

- 2,251,889 A * 8/1941 Sidney H01Q 1/084
403/53
- D158,122 S * 4/1950 Pennington D11/181
- D272,537 S * 2/1984 Spycher D14/238
- D321,886 S * 11/1991 Metivier D14/230
- D357,922 S * 5/1995 Nysether D14/238
- D399,847 S * 10/1998 Seifert D14/230
- D441,273 S * 5/2001 O'Donnell D8/349
- 7,443,361 B2 * 10/2008 Haynes H01Q 1/085
343/878
- D612,712 S * 3/2010 Rix D16/242

- 8,215,604 B1 * 7/2012 Keicher H01Q 1/12
343/882
- D775,111 S * 12/2016 Koch D14/251
- 9,548,524 B1 * 1/2017 Wallman H01Q 1/1221
- D778,884 S * 2/2017 Taptic D14/238
- D834,006 S * 11/2018 Burke D14/238
- 11,056,762 B2 * 7/2021 Lin H01Q 3/06
- 11,184,046 B2 * 11/2021 Yang H01Q 1/38
- 2010/0066633 A1 * 3/2010 Singer H01Q 1/1264
343/882

* cited by examiner

Primary Examiner — Keli L Hill

Assistant Examiner — Harold E Blackwell, II

(74) *Attorney, Agent, or Firm* — Muncy, Geissler, Olds & Lowe, P.C.

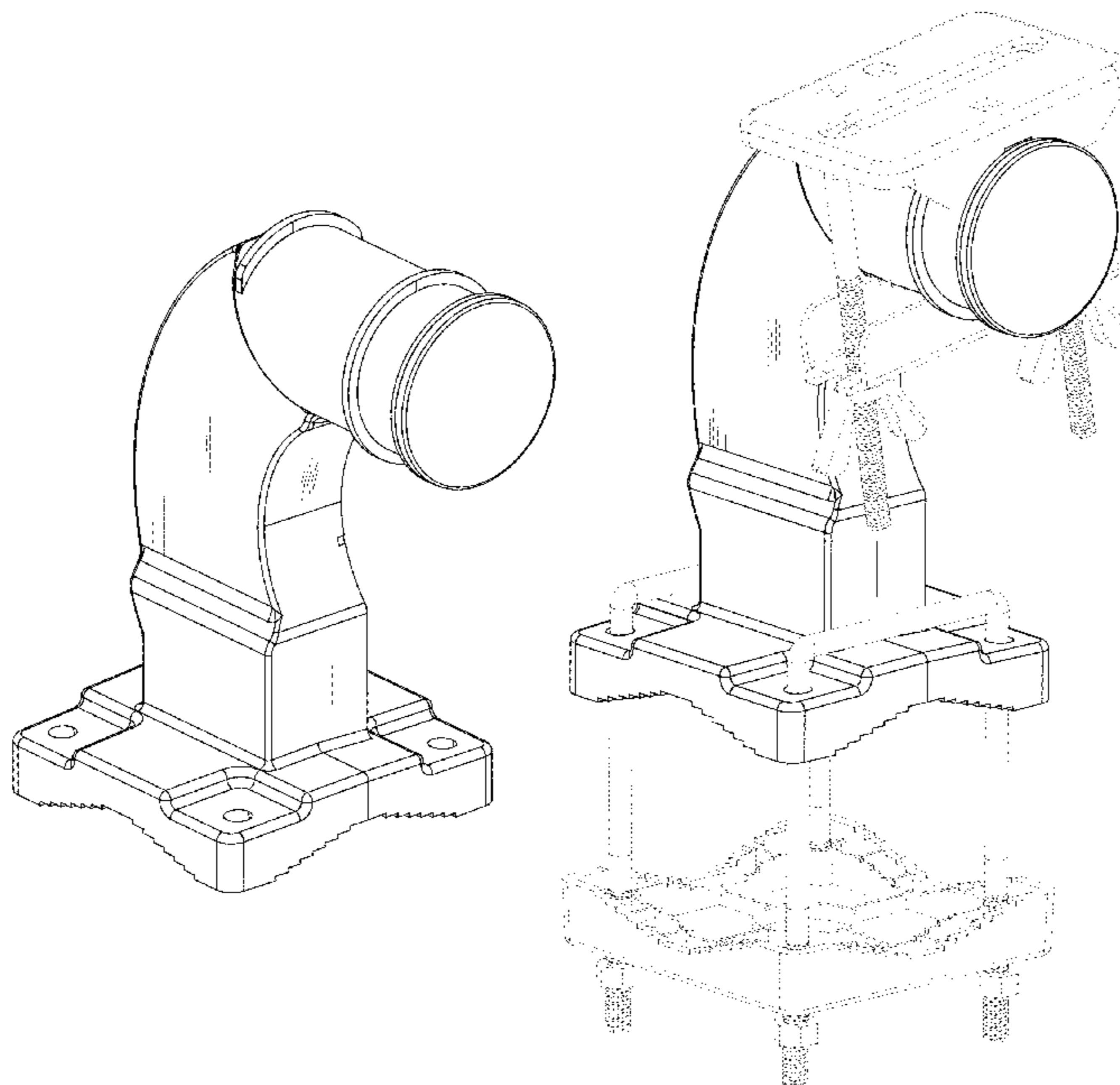
(57) **CLAIM**

The ornamental design for an antenna base, as shown and described.

DESCRIPTION

FIG. 1 is a front elevational view of an antenna base showing our new design;
 FIG. 2 is a rear elevational view thereof;
 FIG. 3 is a left side view thereof;
 FIG. 4 is a right side view thereof;
 FIG. 5 is a top plan view thereof;
 FIG. 6 is a bottom plan view thereof;
 FIG. 7 is a perspective view thereof;
 FIG. 8 is another perspective view thereof;
 FIG. 9 is another perspective view thereof;
 FIG. 10 is a perspective view of the antenna base in use; and,
 FIG. 11 is another perspective view of the antenna base in use.
 The broken lines illustrate portions of the antenna base which form no part of the claimed design.

1 Claim, 11 Drawing Sheets



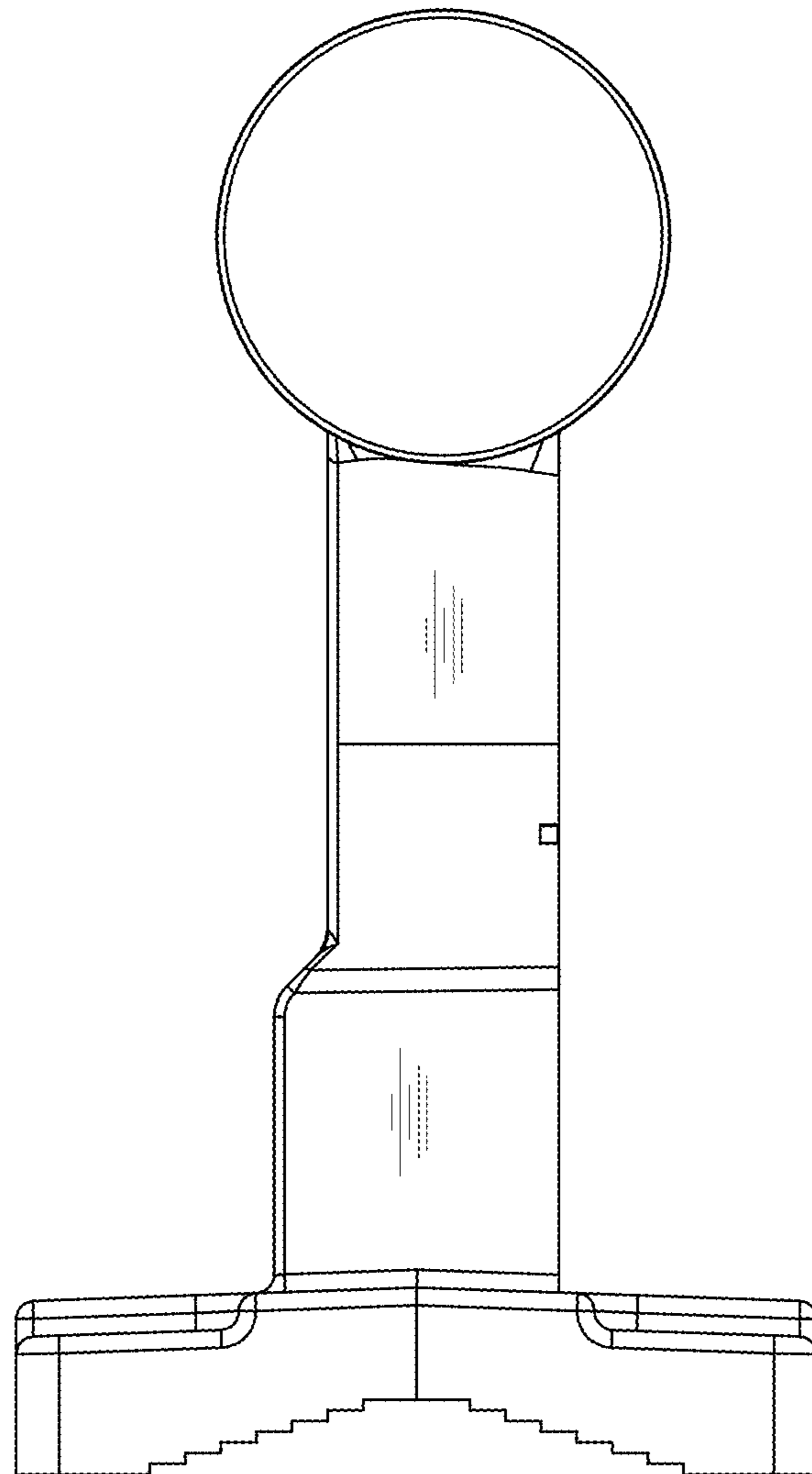


FIG. 1

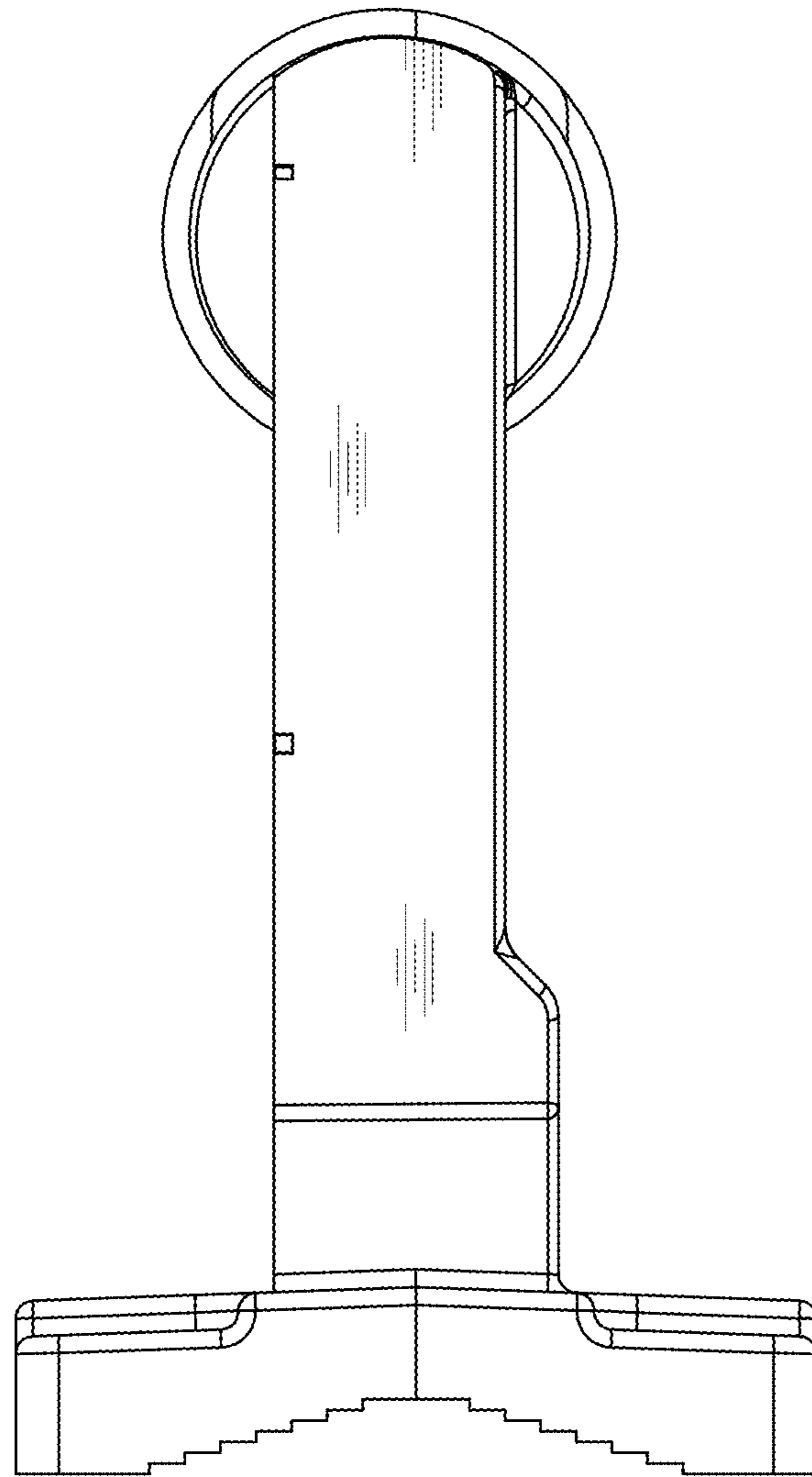


FIG. 2

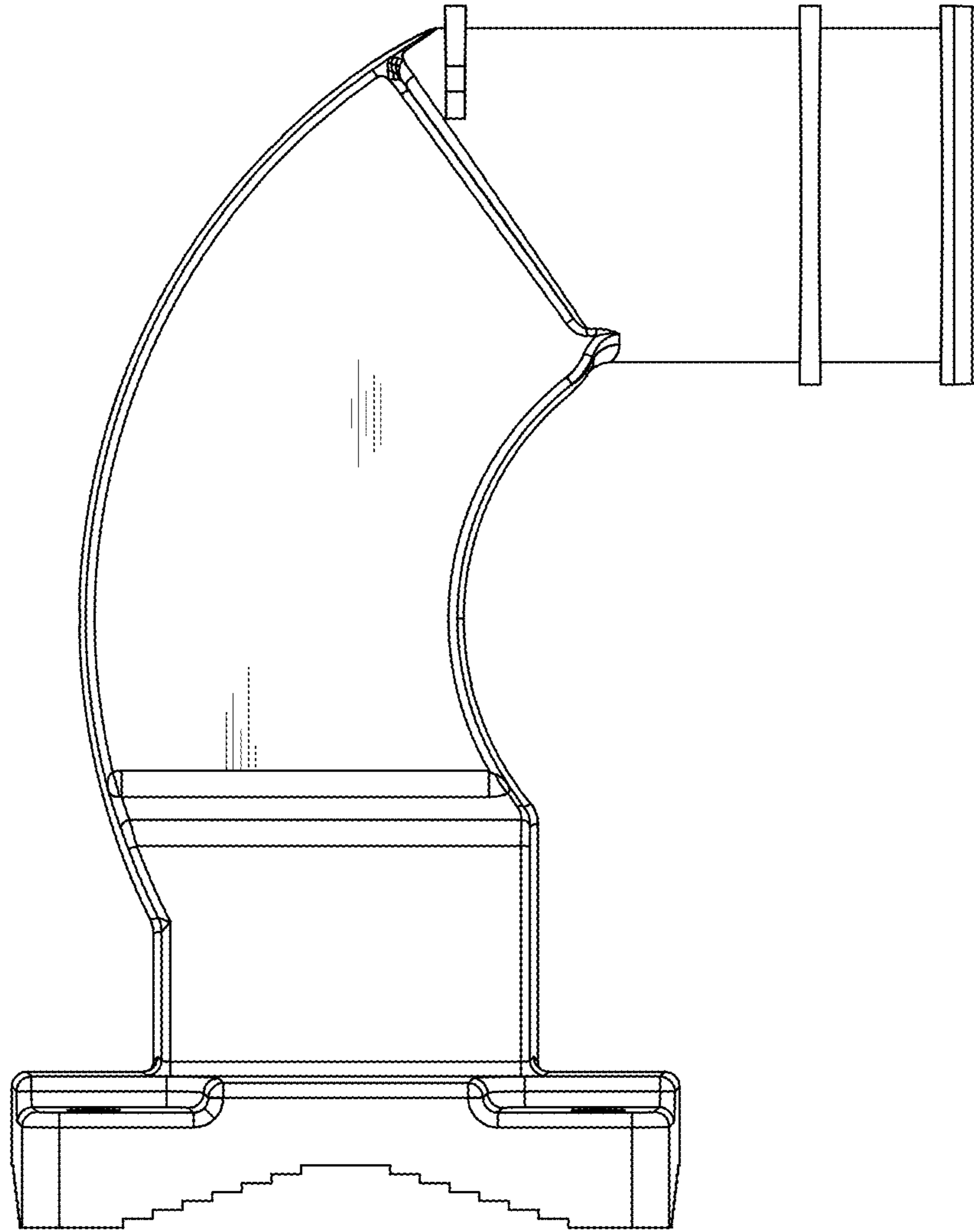


FIG. 3

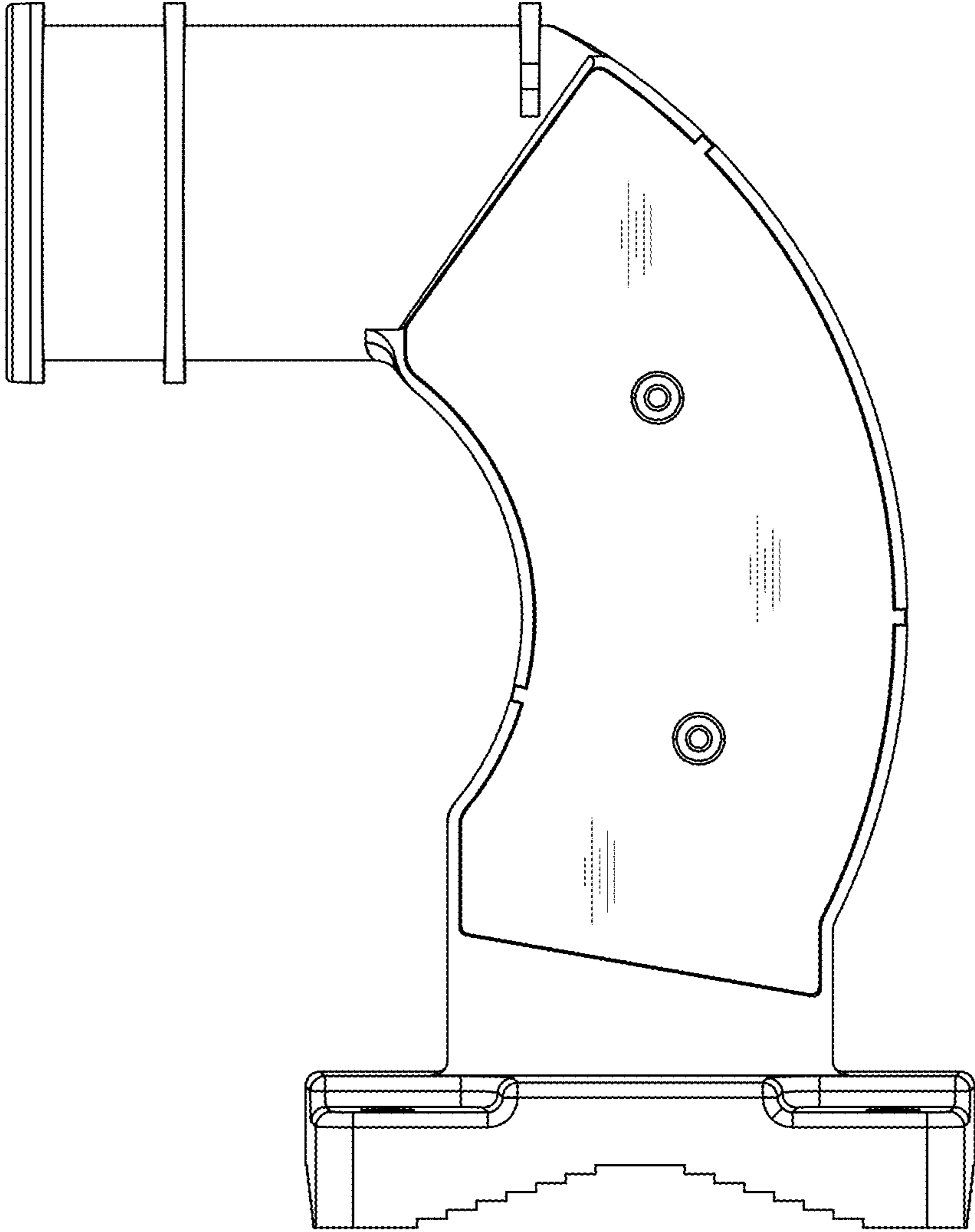


FIG. 4

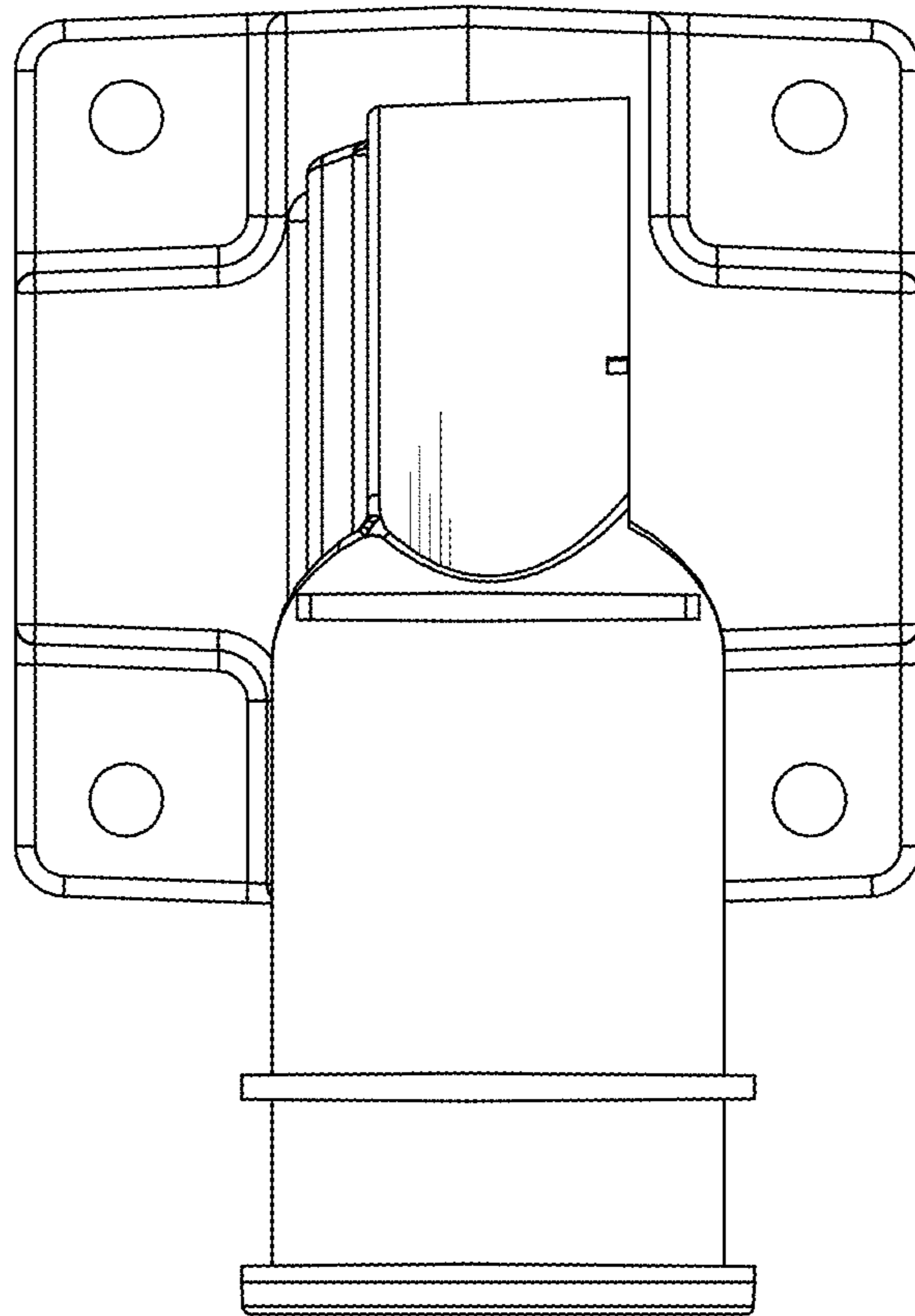


FIG. 5

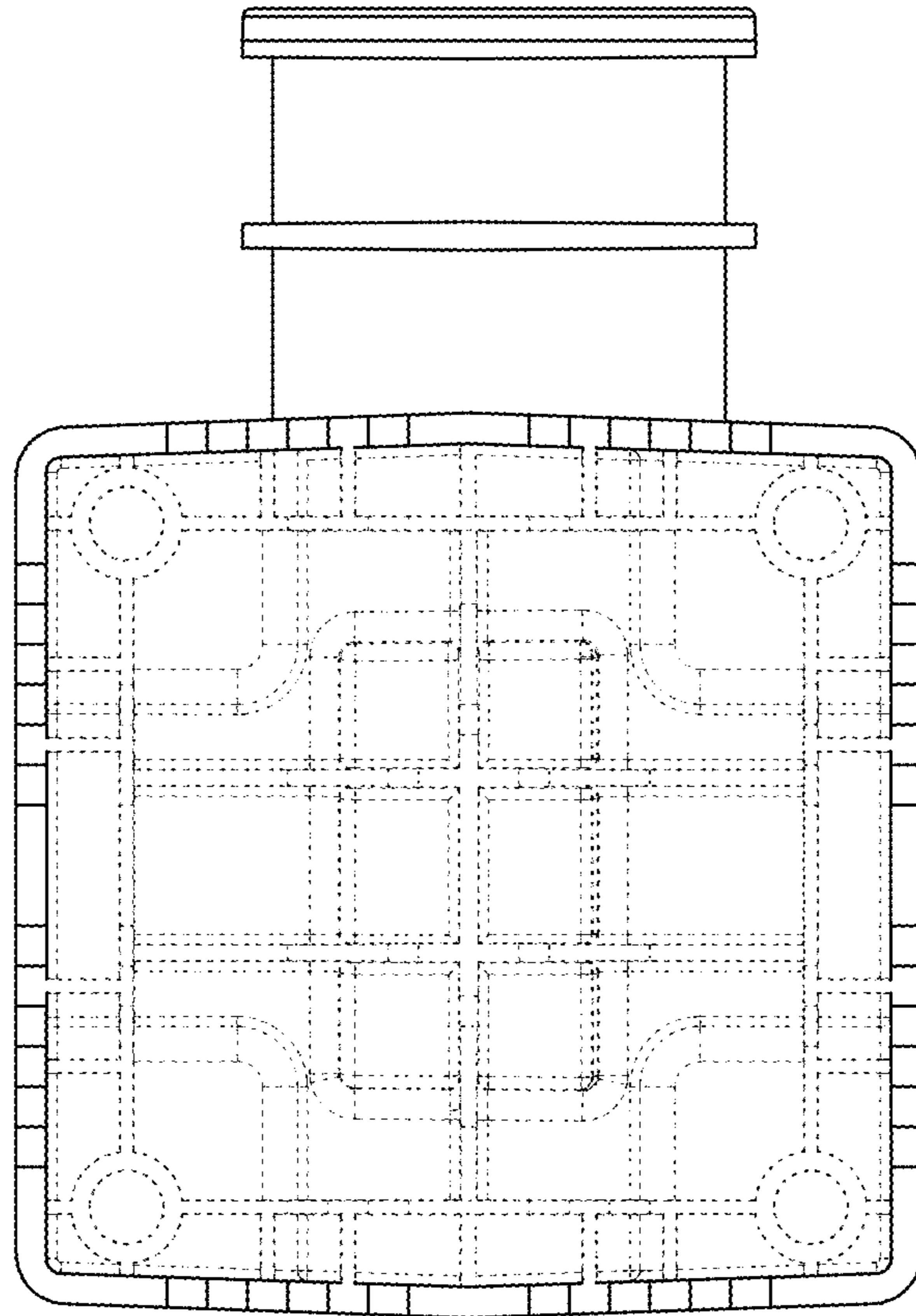


FIG. 6

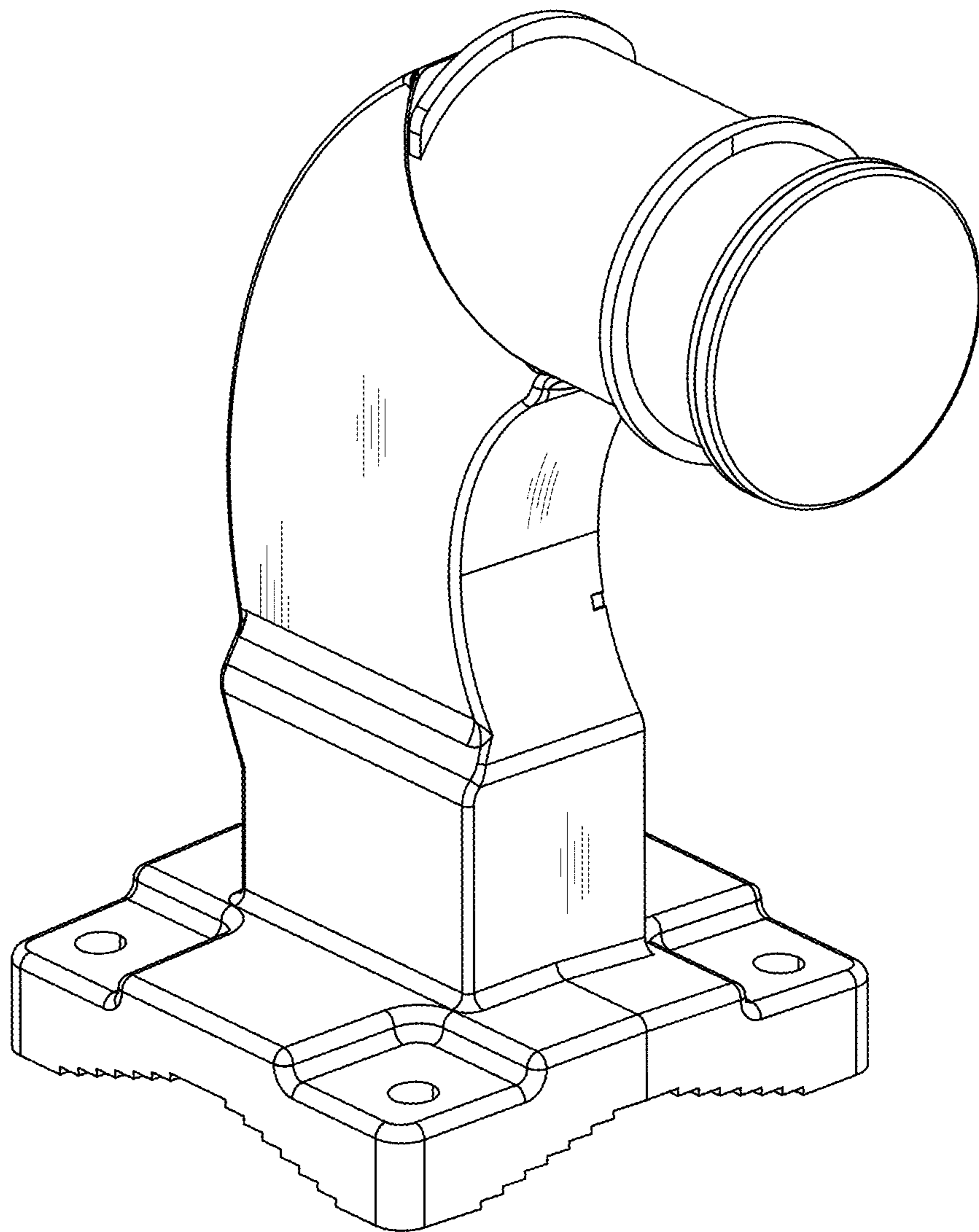


FIG. 7

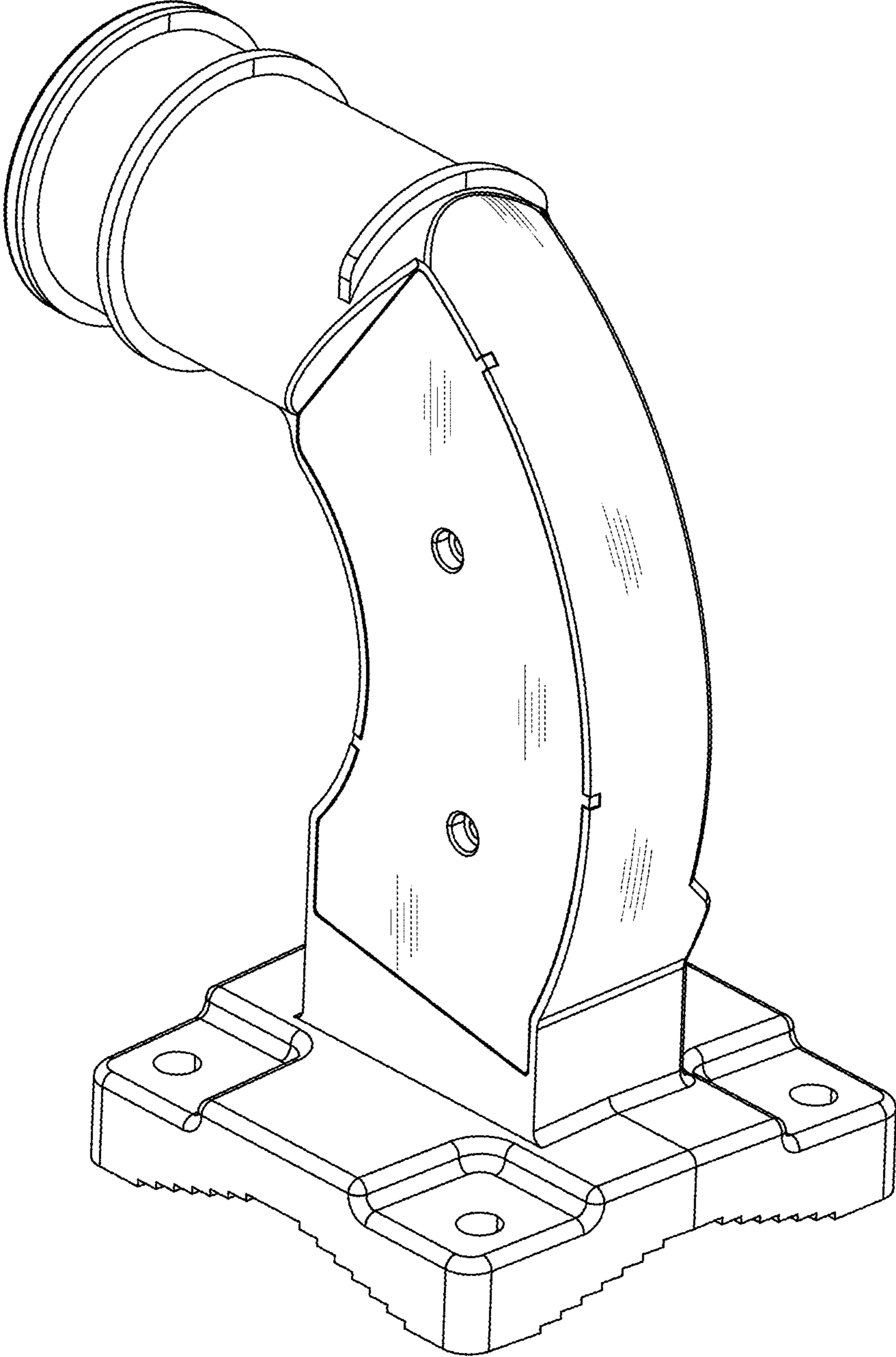


FIG. 8

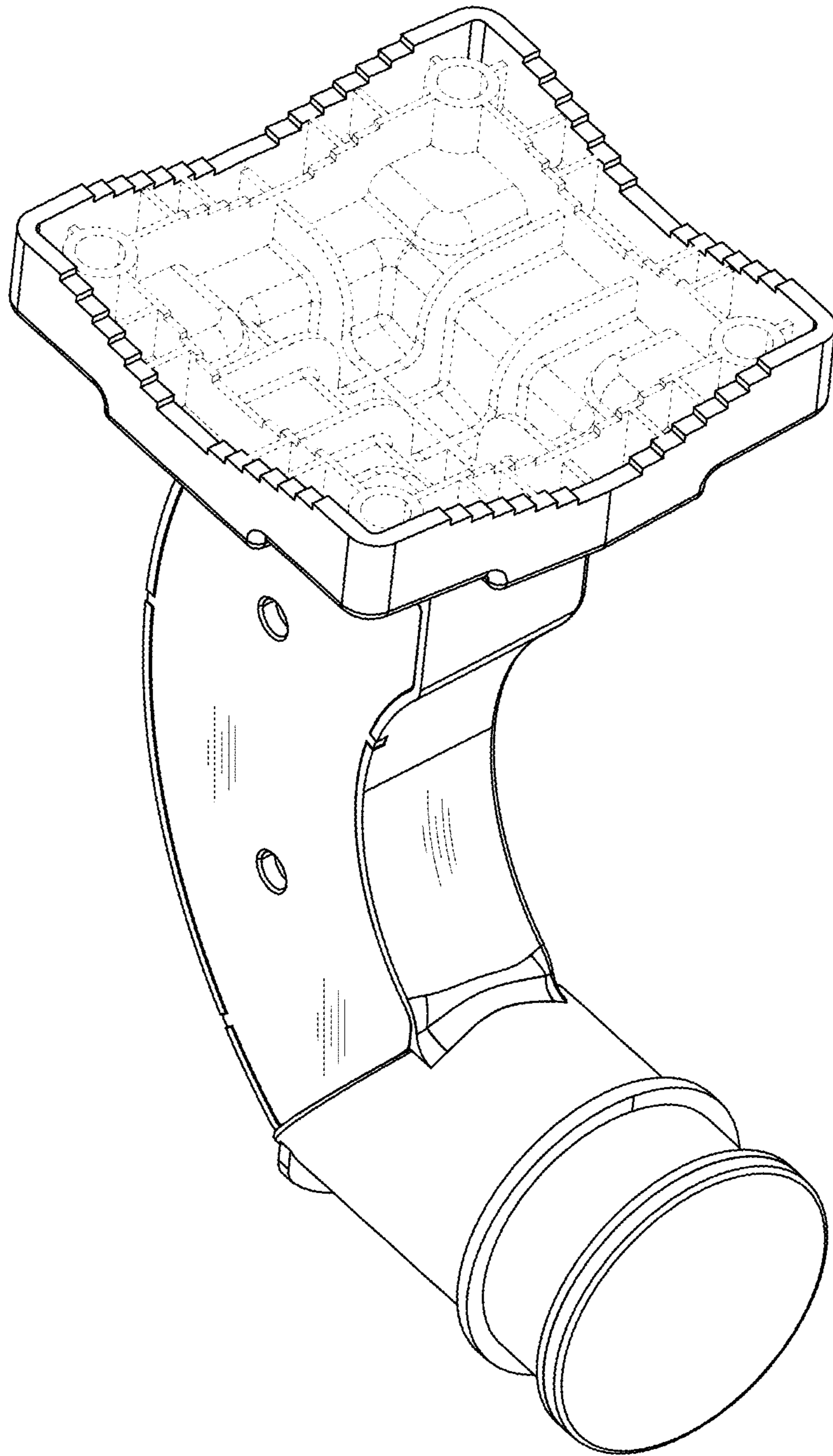


FIG. 9

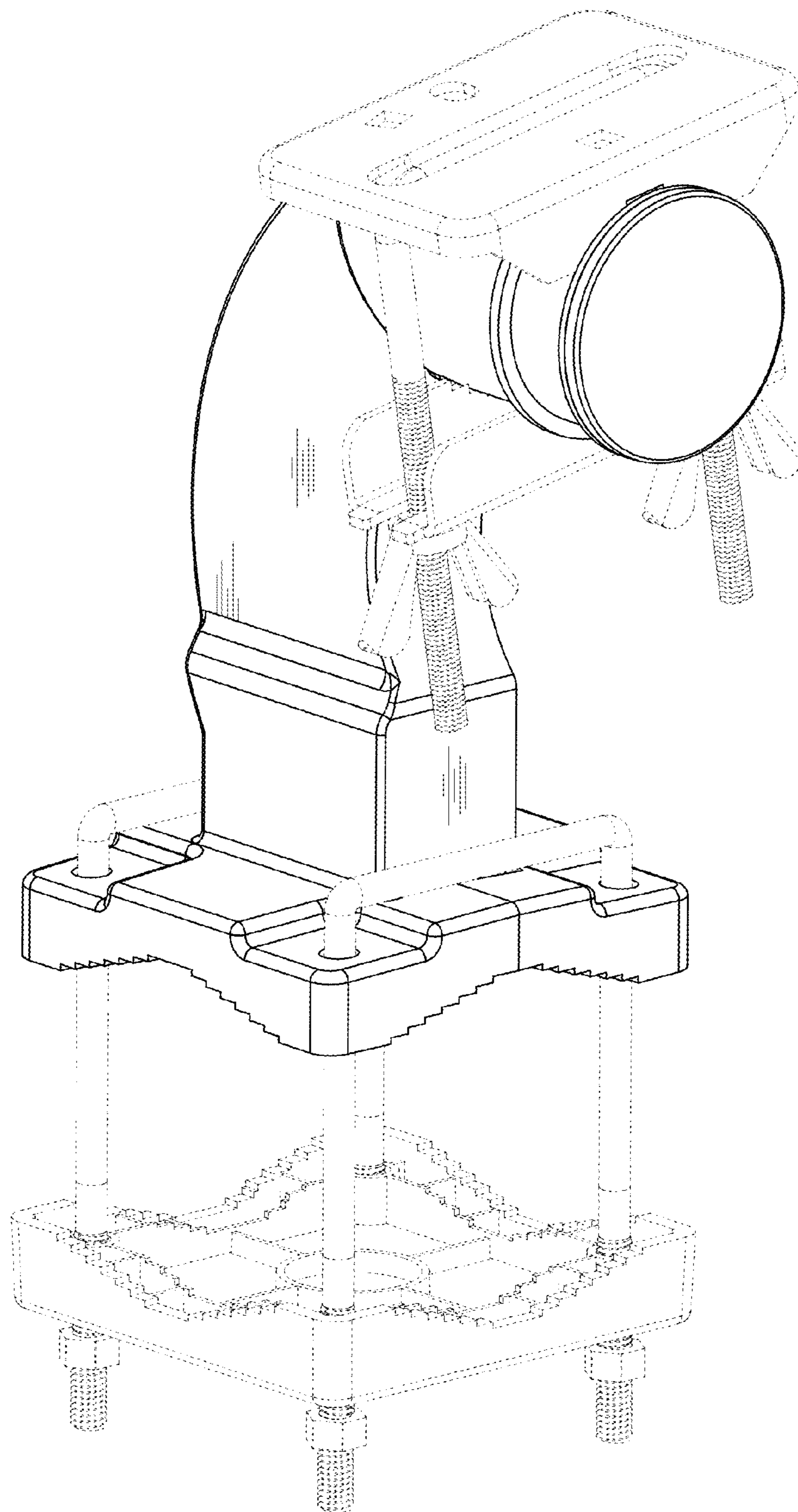


FIG. 10

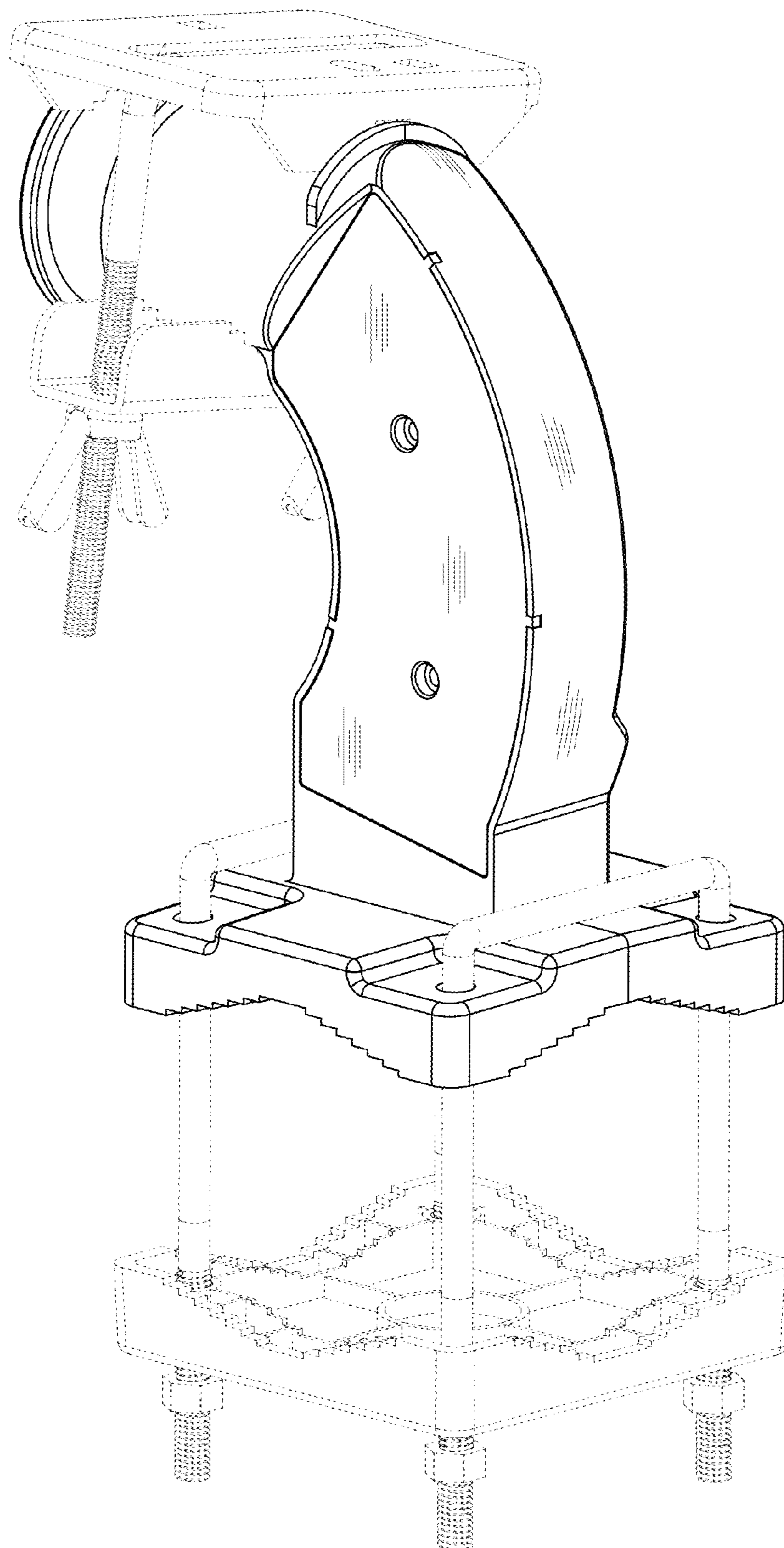


FIG. 11