



US00D976243S

(12) **United States Design Patent**  
**Gomez**

(10) **Patent No.:** **US D976,243 S**

(45) **Date of Patent:** **\*\* Jan. 24, 2023**

(54) **ANTENNA RADOME**  
(71) Applicant: **PC-TEL, Inc.**, Bloomington, IL (US)  
(72) Inventor: **Francisco X. Gomez**, West Chicago, IL (US)

D623,174 S \* 9/2010 Hakamata ..... D14/230  
8,317,151 B1 \* 11/2012 Koehler ..... H01Q 1/3275  
343/878  
D748,611 S \* 2/2016 Sato ..... D14/230  
D756,974 S \* 5/2016 Glezerman ..... D14/206  
D951,238 S \* 5/2022 Lim ..... D14/230

(73) Assignee: **PCTEL, INC.**, Bloomington, IL (US)  
(\*\*) Term: **15 Years**

FOREIGN PATENT DOCUMENTS

CN 304869369 \* 10/2018  
CN 307223596 \* 4/2022

(21) Appl. No.: **29/740,751**

(22) Filed: **Jul. 7, 2020**

(51) **LOC (14) Cl.** ..... **14-03**

(52) **U.S. Cl.**  
USPC ..... **D14/230**

(58) **Field of Classification Search**  
USPC ..... D8/359, 354–355; D14/230–237, 354,  
D14/299, 358; D16/242  
CPC ..... H01Q 1/1207; H01Q 1/52; H01Q 1/281;  
H01Q 1/1242; H01Q 1/125; H01Q 21/06;  
H01Q 19/12; H01Q 1/38; H01L 23/02;  
H01L 33/486; H05K 5/00  
See application file for complete search history.

OTHER PUBLICATIONS

RFMAX, “Brick Antenna, RBDM-G\$\$-17SSS-W . . .”, available at arcantenna.com, date published Dec. 2017, site visited Aug. 10, 2022, available at <https://bit.ly/3JLDFIt> (Year: 2017).\*

\* cited by examiner

*Primary Examiner* — Daniel J Domino  
*Assistant Examiner* — Samina Vieth  
(74) *Attorney, Agent, or Firm* — Husch Blackwell LLP

(57) **CLAIM**

The ornamental design for an antenna radome, as shown and described.

(56) **References Cited**

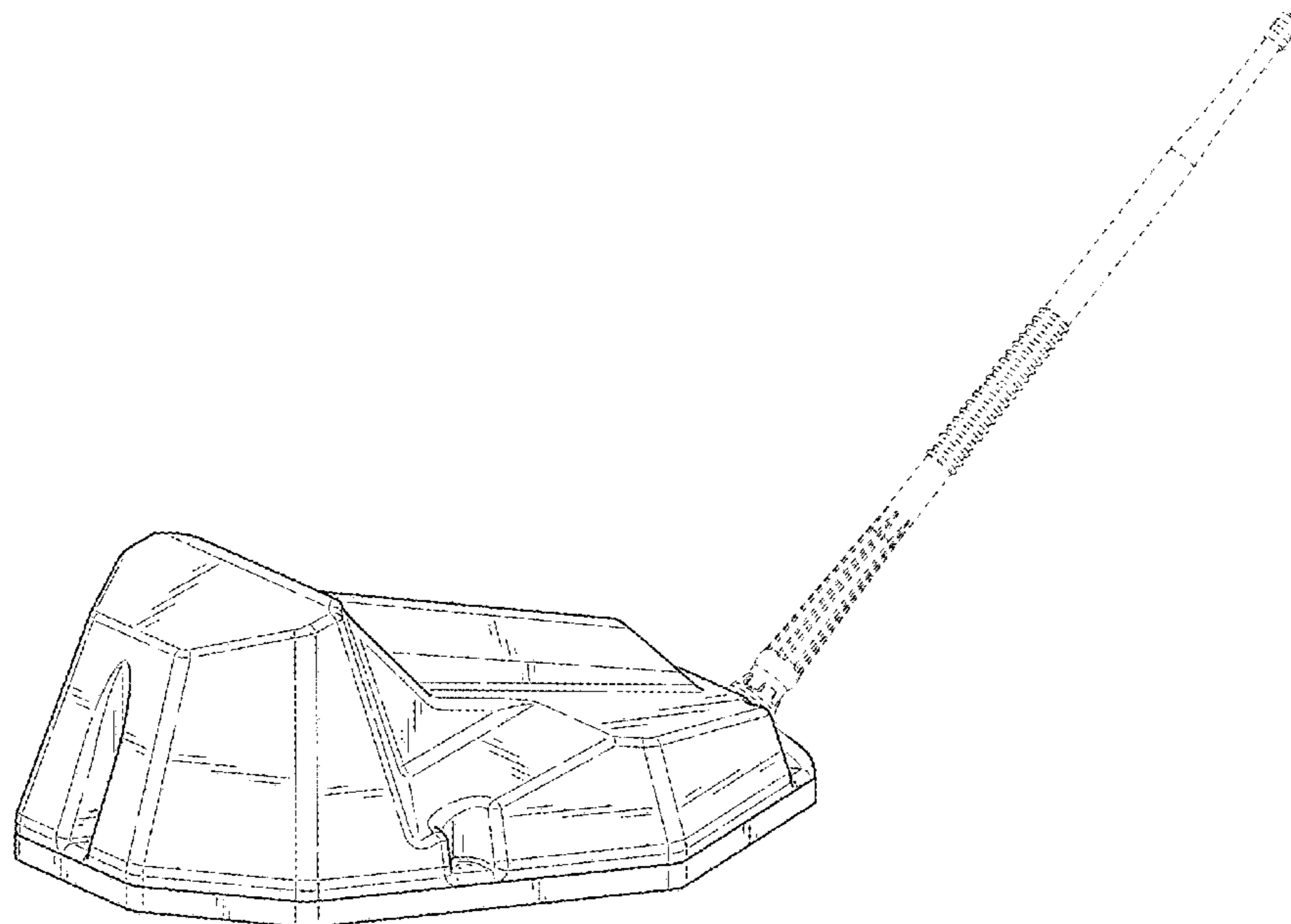
U.S. PATENT DOCUMENTS

D121,603 S \* 7/1940 Thomas ..... D14/230  
D376,367 S \* 12/1996 Mailandt ..... D14/230  
D401,245 S \* 11/1998 Benn ..... D14/238  
5,884,195 A \* 3/1999 Gomez ..... H04M 1/0262  
455/551  
D418,840 S \* 1/2000 Cota ..... D12/333  
D443,263 S \* 6/2001 Strand ..... D14/230  
D470,481 S \* 2/2003 Ikeda ..... D14/230  
D519,991 S \* 5/2006 Chapman ..... D14/230  
D551,220 S \* 9/2007 Noro ..... D14/230  
D581,403 S \* 11/2008 Zwingmann ..... D14/230  
D581,908 S \* 12/2008 Jeong ..... D14/230

**DESCRIPTION**

FIG. 1 is a perspective view of the antenna radome.  
FIG. 2 is a front elevational view thereof.  
FIG. 3 is a rear elevational view thereof.  
FIG. 4 is a left side elevational view thereof, the right side elevation view being a mirror image of the left side elevation view; and,  
FIG. 5 is a top plan view thereof.  
The bottom view forms no part of the claimed design. The broken lines showing portions of the article form no part of the claimed design.

**1 Claim, 5 Drawing Sheets**



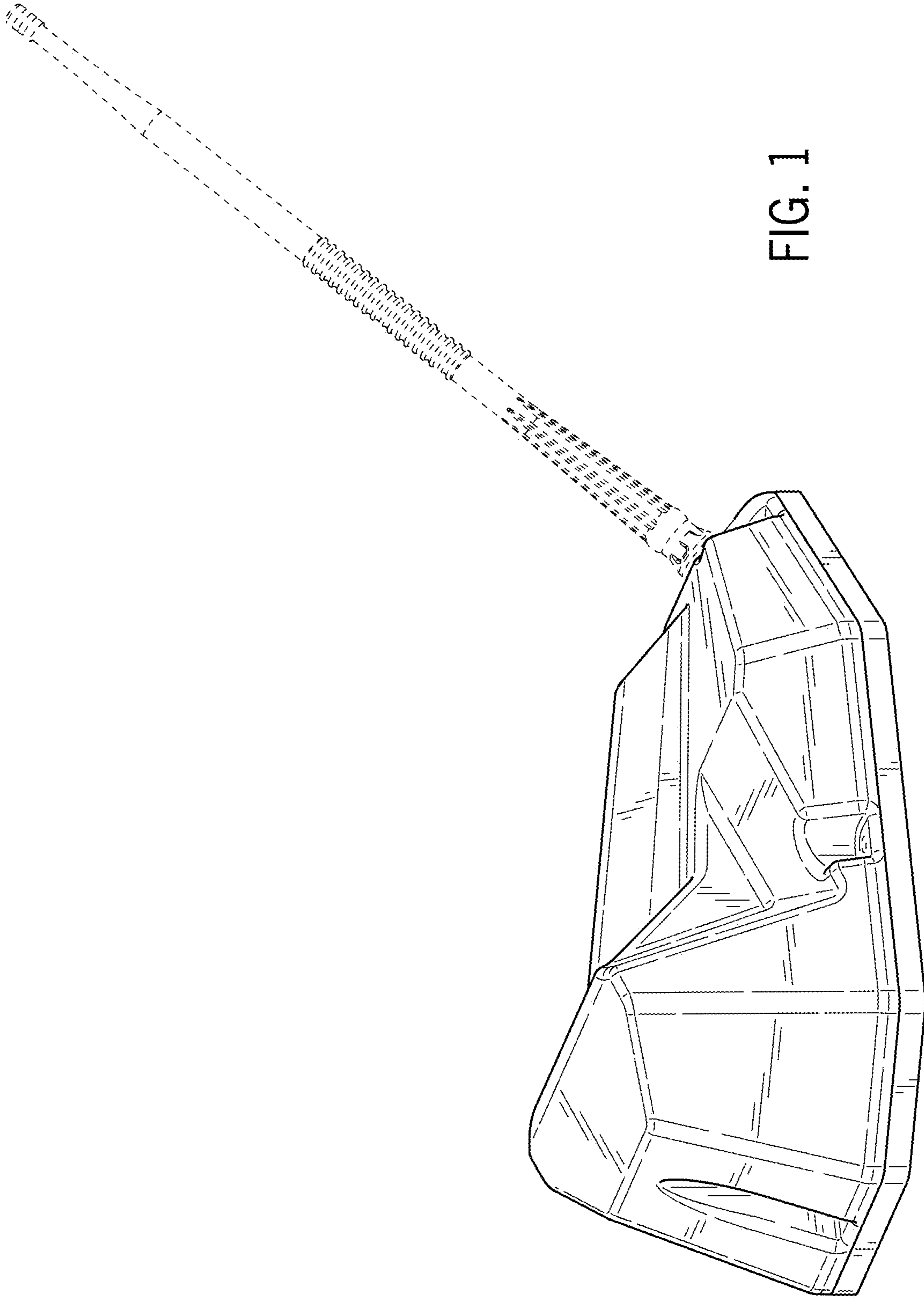


FIG. 1

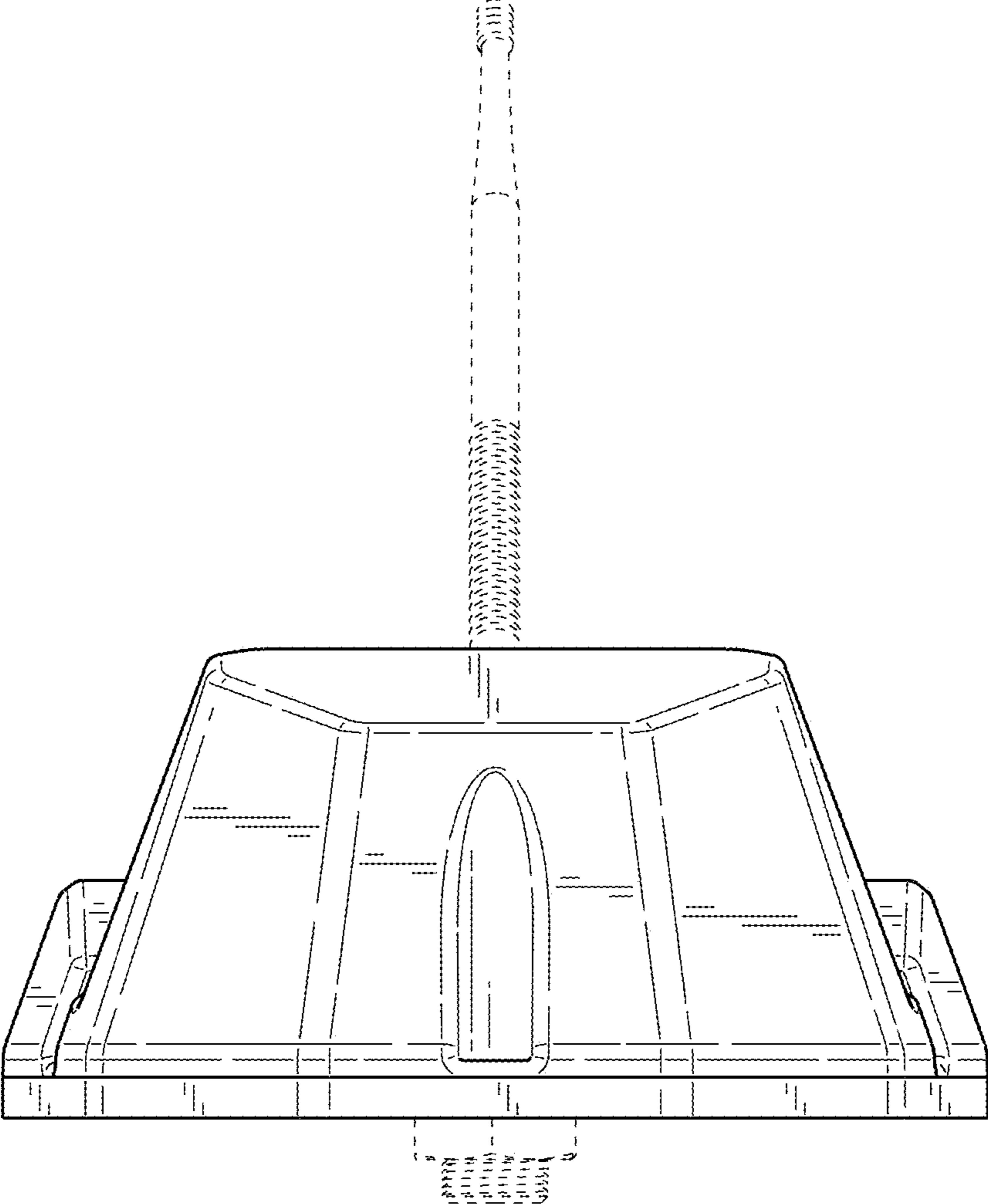


FIG. 2

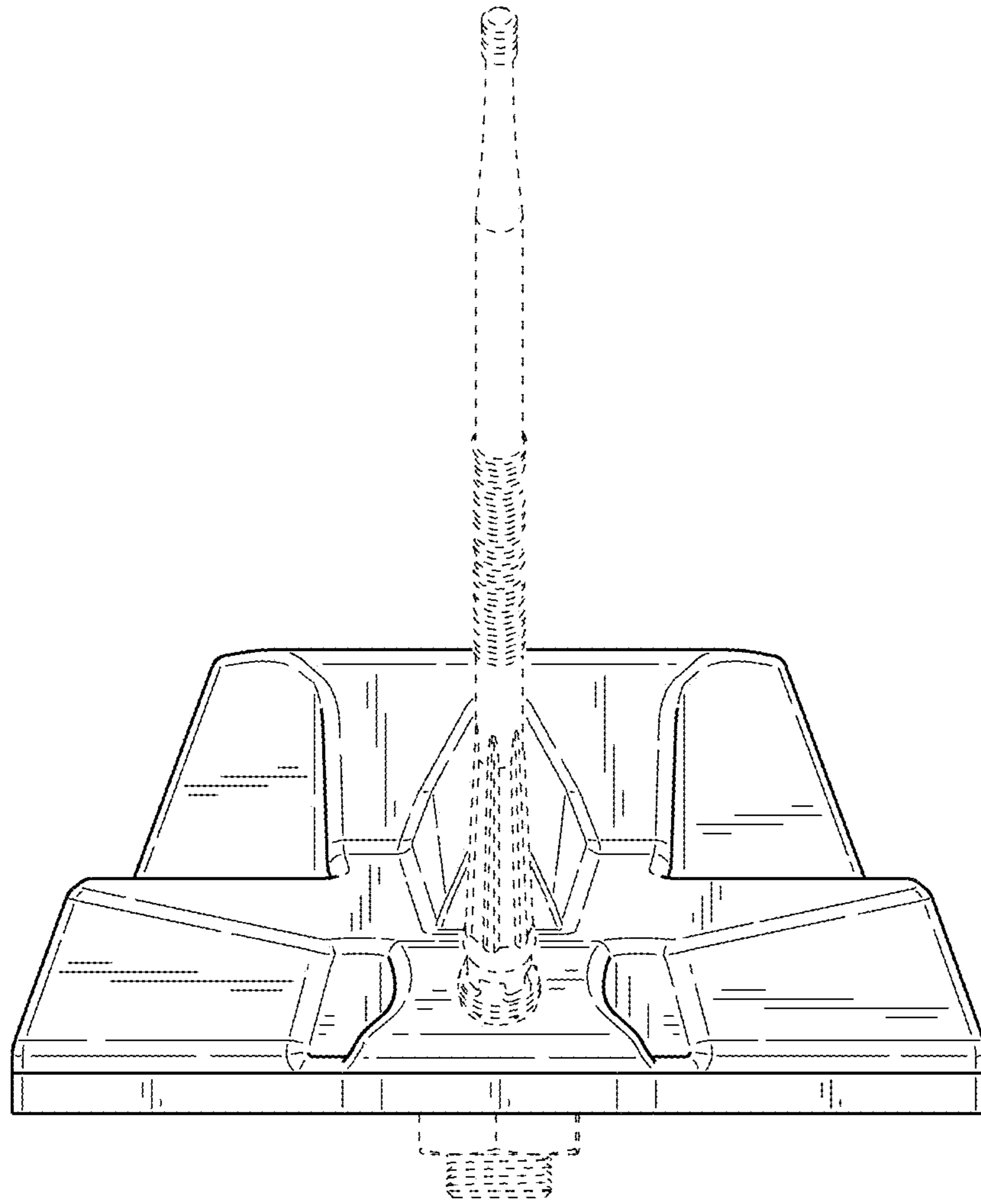


FIG. 3

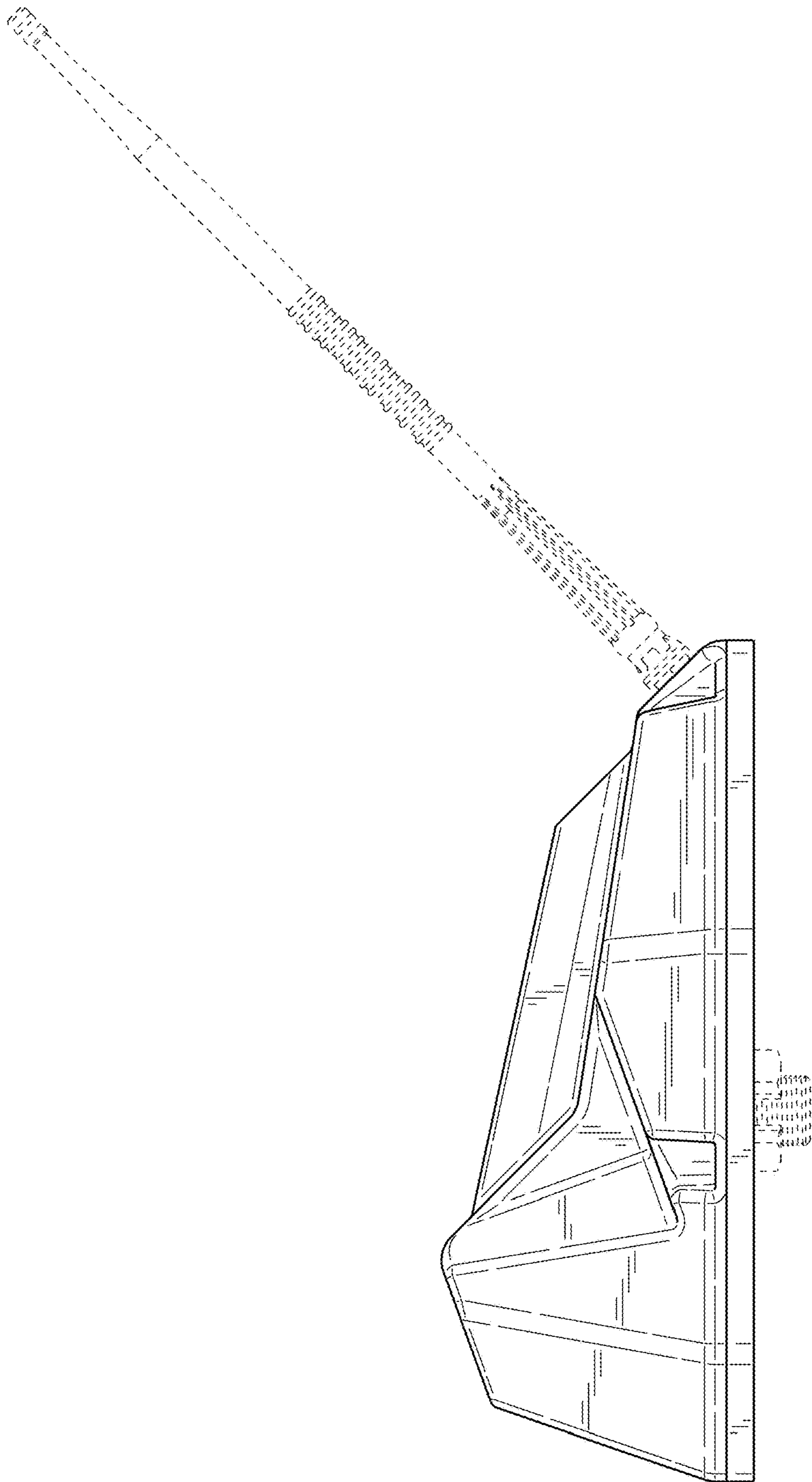


FIG. 4

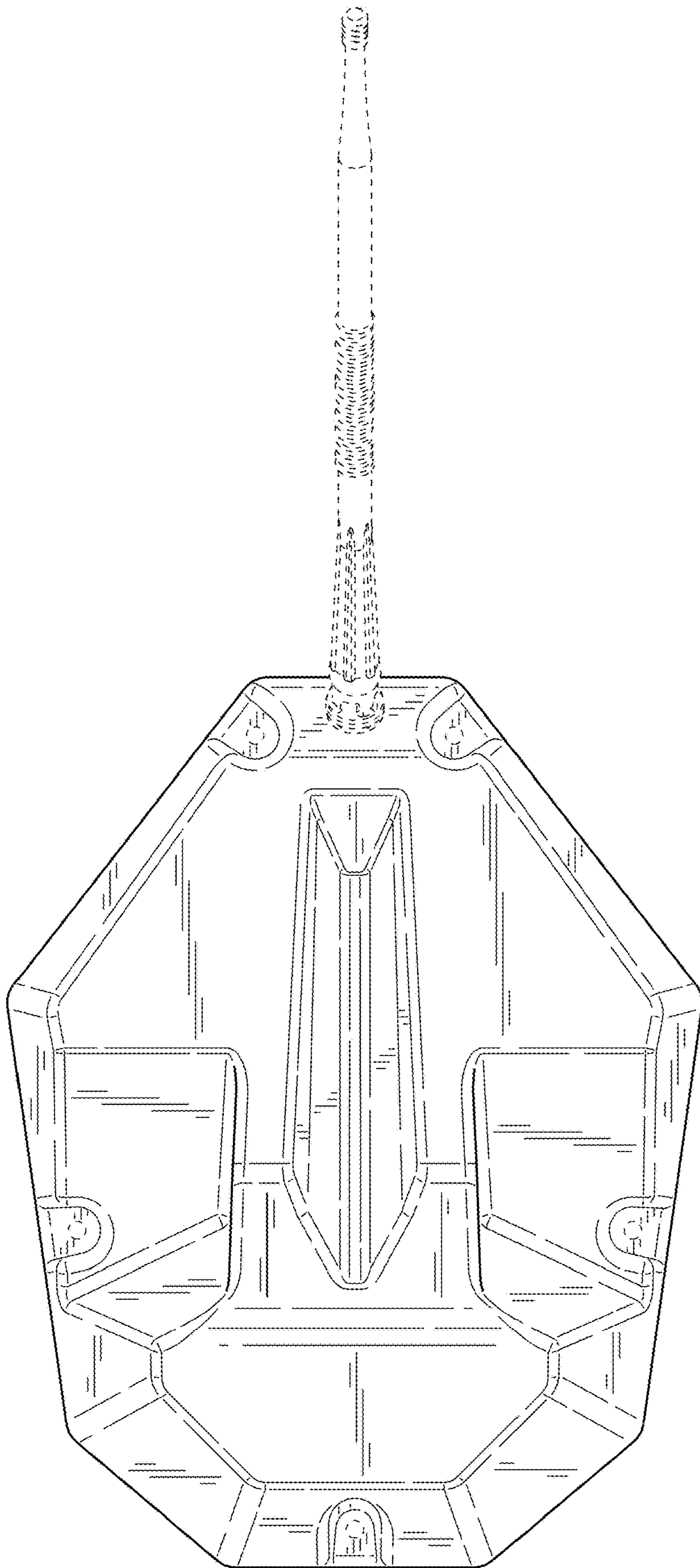


FIG. 5