

US00D976241S

(12) **United States Design Patent**
Yang

(10) **Patent No.:** **US D976,241 S**
(45) **Date of Patent:** **** Jan. 24, 2023**

(54) **HOLDER FOR MICROPHONE**

Primary Examiner — Messina L Smith
Assistant Examiner — Aram Kwon

(71) Applicants: **Guangzhou Rantion Technology Co., Ltd.**, Guangzhou (CN); **Donner Technology LLC**, Charlotte, NC (US)

(72) Inventor: **Jiren Yang**, Guangzhou (CN)

(**) Term: **15 Years**

(21) Appl. No.: **29/798,071**

(22) Filed: **Jul. 6, 2021**

(51) **LOC (14) Cl.** **14-01**

(52) **U.S. Cl.**
USPC **D14/229**

(58) **Field of Classification Search**
USPC D14/155–159, 160–173, 187–188,
D14/189–198, 203.1–203.8, 204–216,
D14/217–222, 223, 224–229, 239,
D14/251–253, 257–258, 335–337,
D14/371–382, 432, 439–441, 447–452,
(Continued)

(56) **References Cited**

U.S. PATENT DOCUMENTS

D135,479 S * 4/1943 Hopkins D26/65
D174,508 S * 4/1955 Mehr D26/65
D275,037 S * 8/1984 Saferstein D16/135
(Continued)

FOREIGN PATENT DOCUMENTS

CN 306934153 * 11/2021
EM 008604516-0001 * 7/2021

OTHER PUBLICATIONS

Donner Boom Arm, date first available: Nov. 27, 2021, [retrieved Aug. 11, 2022], Retrieved from Internet, URL: <https://www.amazon.com/dp/B09MNCSPHN/ref=sspa_dk_detail_4?psc=1&pf_rd_p=3481f441-61ac-4028-9c1a-7f9ce8ec50c5&pf_rd_r=G665SX97G%E2%80%A6> (Year: 2021).*

(Continued)

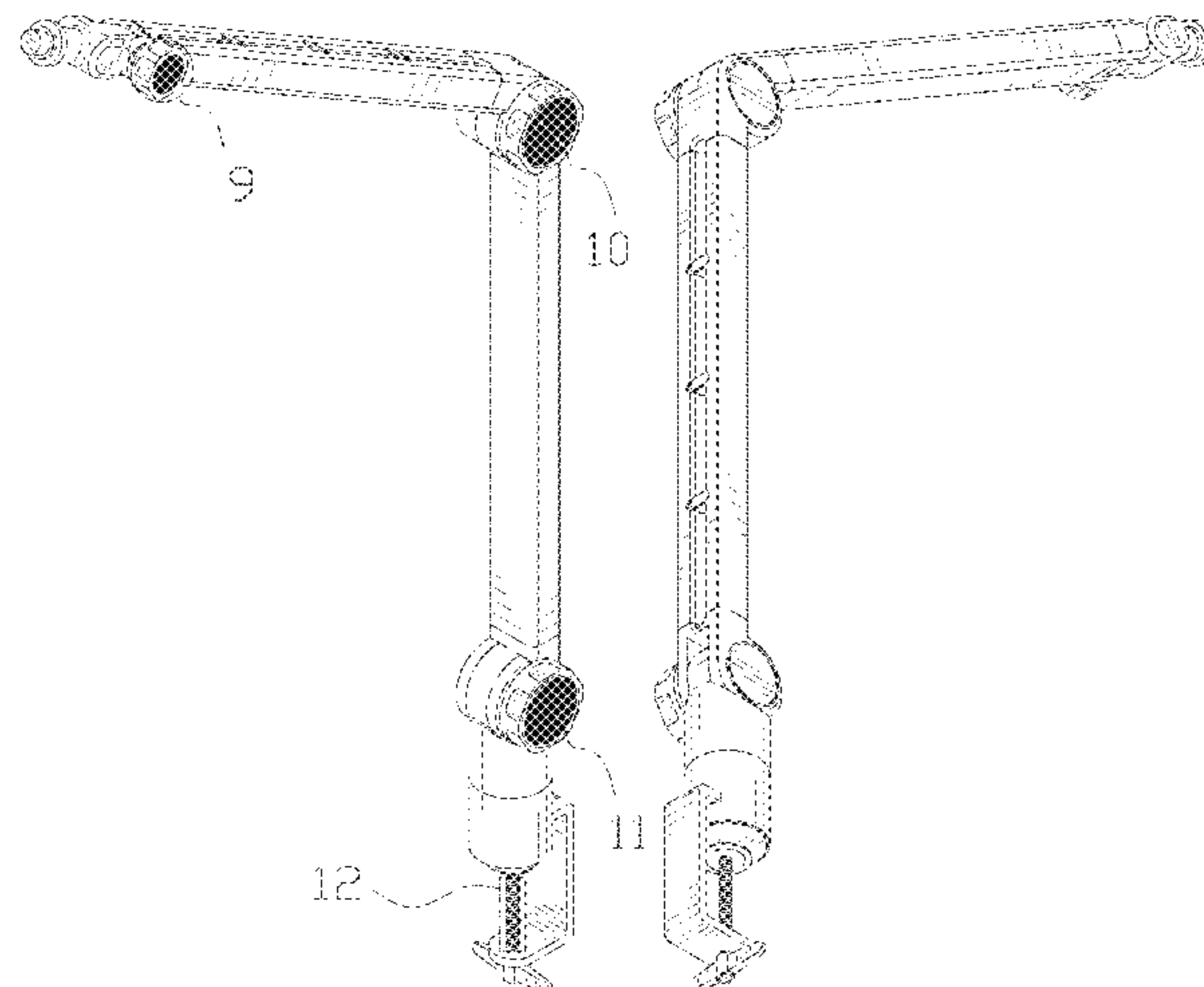
(57) **CLAIM**

The ornamental design for a holder for microphone, as shown and described.

DESCRIPTION

FIG. 1 is a front and top perspective view of a holder for microphone, showing my new design;
FIG. 2 is a rear and bottom perspective view thereof;
FIG. 3 is a front elevation view thereof;
FIG. 4 is a rear elevation view thereof;
FIG. 5 is a left side elevation view thereof;
FIG. 6 is a right side elevation view thereof;
FIG. 7 is a top plan view thereof;
FIG. 8 is a bottom plan view thereof;
FIG. 9 is an enlarged view of a portion of the holder for microphone labeled, '9' in FIG. 1;
FIG. 10 is an enlarged view of a portion of the holder for microphone labeled, '10' in FIG. 1.
FIG. 11 is an enlarged view of a portion of the holder for microphone labeled '11' in FIG. 1;
FIG. 12 is an enlarged view of a portion of the holder for microphone labeled '12' in FIG. 1;
FIG. 13 is an enlarged view of a portion of the holder for microphone labeled '13' in FIG. 6;
FIG. 14 is an enlarged view of a portion of the holder for microphone labeled '14' in FIG. 6; and,
FIG. 15 is an enlarged view of a portion of the holder for microphone labeled '15' in FIG. 6.
The broken lines in the figures illustrate portions of the holder for microphone that form no part of the claimed design. The dash dot dash broken lines shown in FIGS. 1, 6 and 9-15 encircling portions of the holder for microphone illustrated in enlargements form no part of the claimed design.

1 Claim, 15 Drawing Sheets



(58) **Field of Classification Search**

USPC D14/457, 496, 498–506; D6/672–673,
D6/675.1, 682; D26/60–63
CPC H04R 1/02; H04R 1/021; H04R 1/025;
H04R 1/026; H04R 1/028; H04R 1/06;
H04R 1/105; H04R 1/323; H04R 1/403;
H04R 1/2803; H04R 1/2834
See application file for complete search history.

D959,443 S * 8/2022 You D14/452
D962,903 S * 9/2022 You D14/229
D965,000 S * 9/2022 Monsalve D14/452
D965,837 S * 10/2022 Xu D26/63

(56) **References Cited**

U.S. PATENT DOCUMENTS

D319,889 S * 9/1991 Lu D16/135
D368,319 S * 3/1996 Huang D26/65
D378,859 S * 4/1997 Yumita D26/65
D458,401 S * 6/2002 Diffrient D26/60
D486,938 S * 2/2004 Waldmann D26/60
D505,219 S * 5/2005 Jacquelin D26/51
D517,713 S * 3/2006 Waldmann D26/60
D519,990 S * 5/2006 Lazor D14/229
D528,691 S * 9/2006 Waldmann D26/65
D537,323 S * 2/2007 Saez D14/452
D620,165 S * 7/2010 Huang D26/65
D622,883 S * 8/2010 Huang D26/65
D678,888 S * 3/2013 Hung D14/452
D753,860 S * 4/2016 Chen D26/65
D755,430 S * 5/2016 Waldmann D26/63
D815,326 S * 4/2018 Waldmann D26/60
D835,318 S * 12/2018 Kaluza D26/65
D878,118 S * 3/2020 Renwick D6/680.2
D916,709 S * 4/2021 Hung D14/452
D921,642 S * 6/2021 Hong D14/447
D921,950 S * 6/2021 Ye D26/60
D935,670 S * 11/2021 Zeng D26/60
D941,300 S * 1/2022 Huang D14/452
D952,613 S * 5/2022 Wu D14/227

OTHER PUBLICATIONS

For Blue Yeti Microphone Boom Arm, date first available: Jan. 19, 2022, [retrieved Aug. 11, 2022], Retrieved from Internet, URL: <https://www.amazon.com/Blue-Yeti-Microphone-Boom-YUZUHOME/dp/B09QR8HLSZ/ref=asc_df_B09QR8HLSZ/?tag=hyprod-20&linkCode=df0&hva%E2%80%A6> (Year: 2022).*

Gator Frameworks Deluxe Desk-Mounted Broadcast Microphone Boom Stand, date first available: Dec. 20, 2019, [retrieved Aug. 11, 2022], Retrieved from Internet, URL: <https://www.amazon.com/Gator-Frameworks-Desk-Mounted-Microphone-GFWBCBM3000/dp/B082YHPC3Z/ref=asc_df_B082YHPC3Z/?tag=hyprod-%E2%80%A61/11> (Year: 2019).*

Mount-It! Adjustable Microphone Boom Arm, date first available: Sep. 11, 2020, [retrieved Aug. 11, 2022], Retrieved from Internet, URL: <https://www.amazon.com/dp/B0863HPBWX/ref=sspa_dk_detail_3?psc=1&pd_rd_i=B0863HPBWX&pd_rd_w=T5K9v&content-id=amzn1.sym.3481f4%E2%80%A6> (Year: 2020).*

BCM-200 Scissor Style Broadcast Mic Stand, date not available, [retrieved Aug. 11, 2022], Retrieved from Internet, URL: <<https://www.ultimatesupport.com/products/bcm-200-scissor-style-broadcast-mic-stand>> (Year: 2022).*

Blue Microphones Compass, review date: Aug. 2, 2020, [retrieved Aug. 11, 2022], Retrieved from Internet, URL: <https://www.cdw.com/product/blue-microphones-compass-mounting-kit-for-microphone-black/6005303?gclid=EA1a1QobChMltOfOw56_-QIVPvDjBx2YCwCMEAQYCSABEgIRJvD_BwE&cm_ven=acquir%E2%80%A6> (Year: 2020).*

* cited by examiner

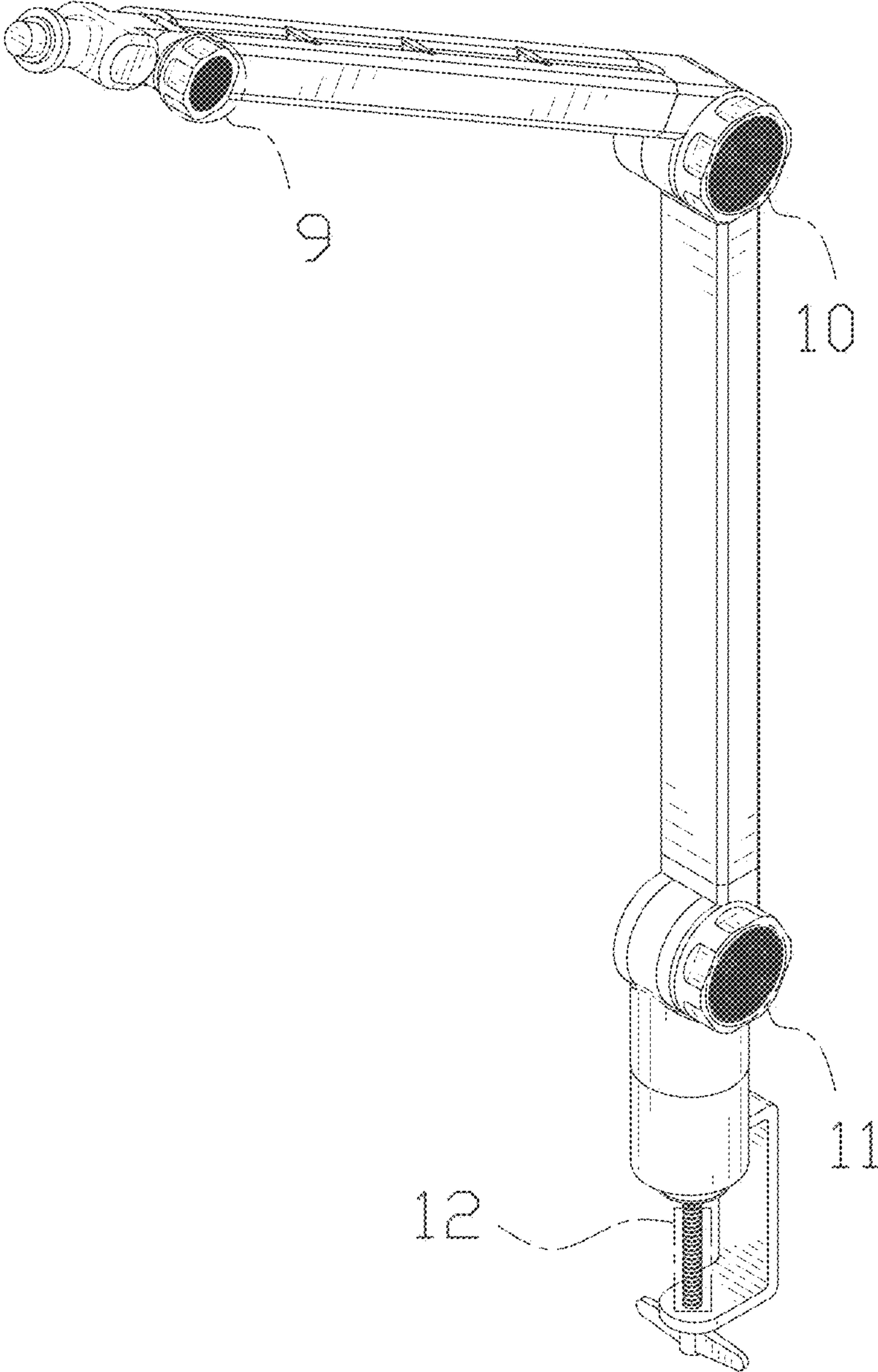


FIG. 1

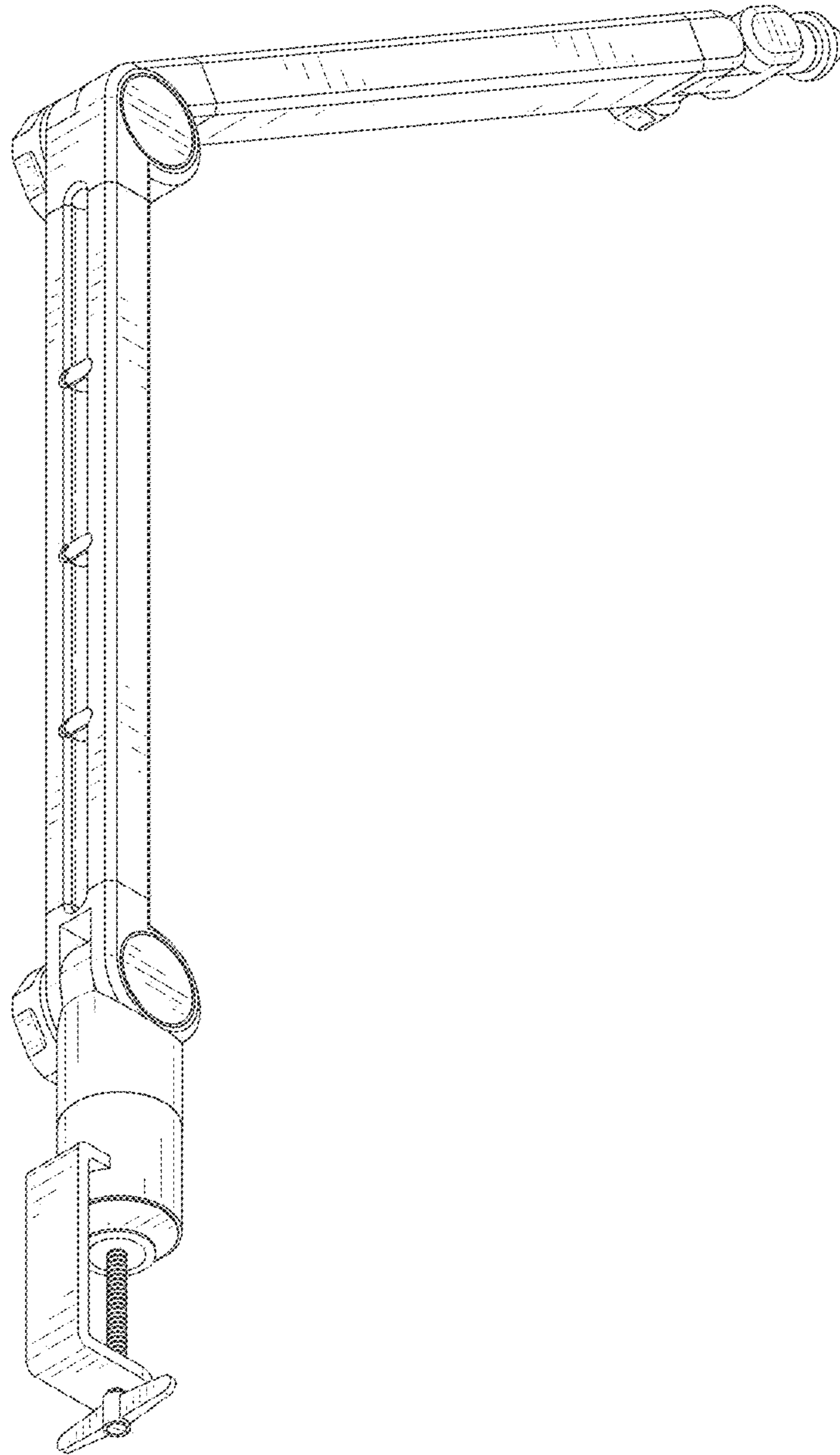


FIG. 2

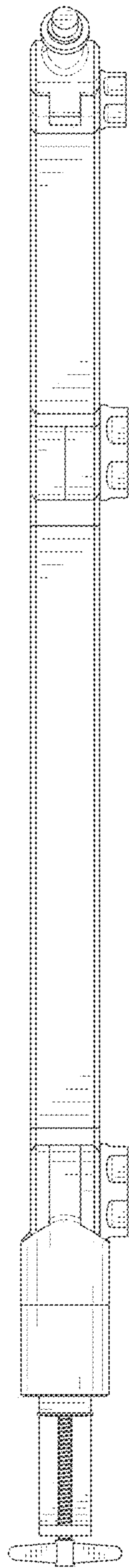


FIG. 3

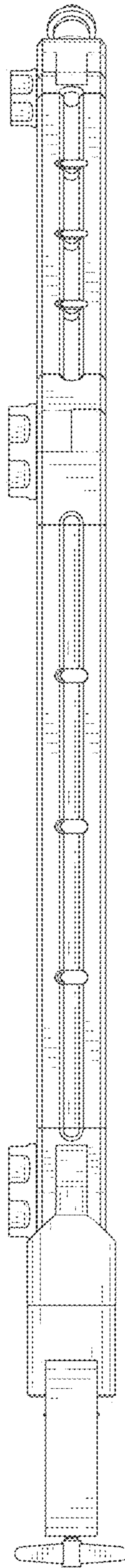


FIG. 4

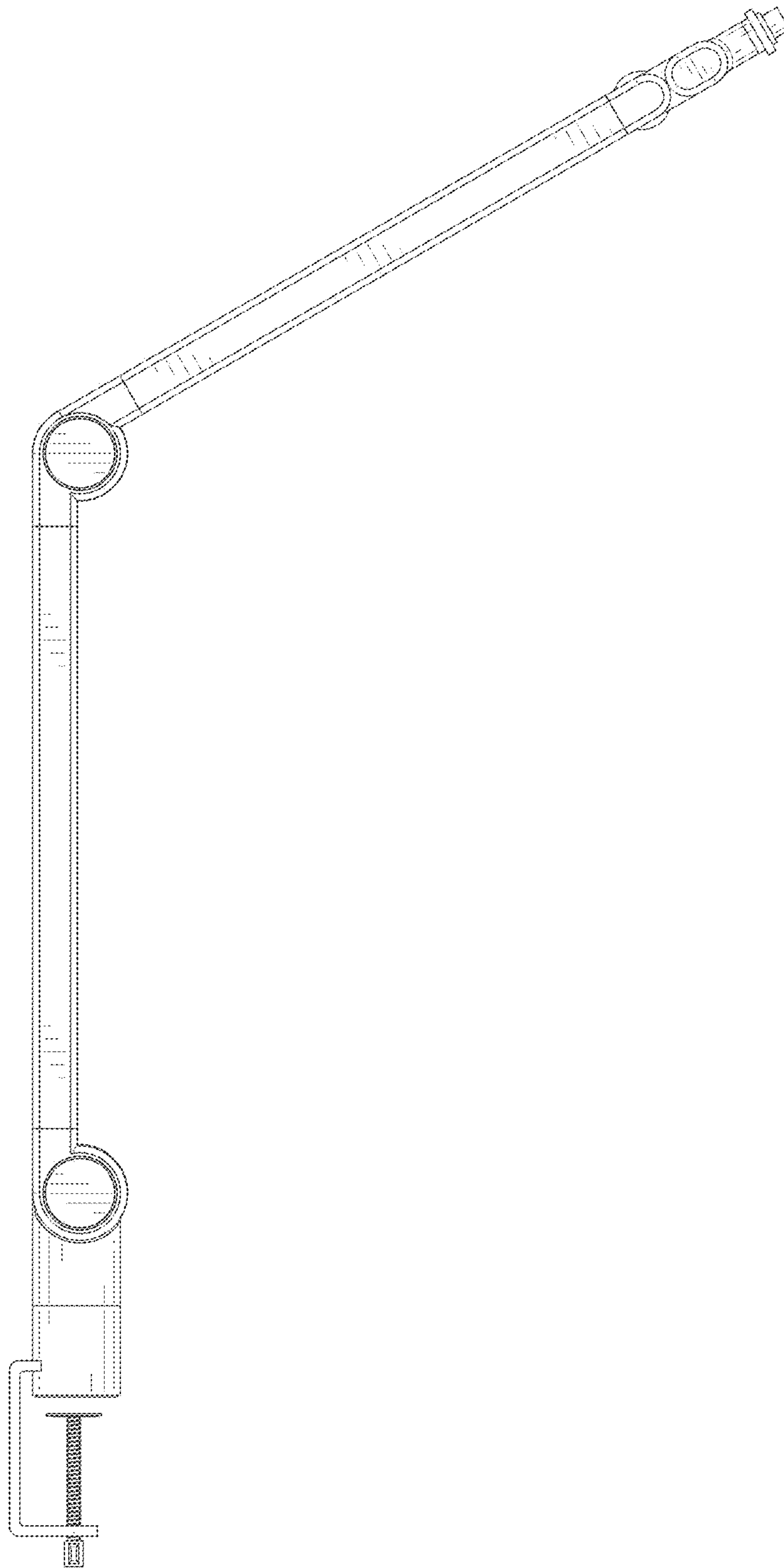


FIG. 5

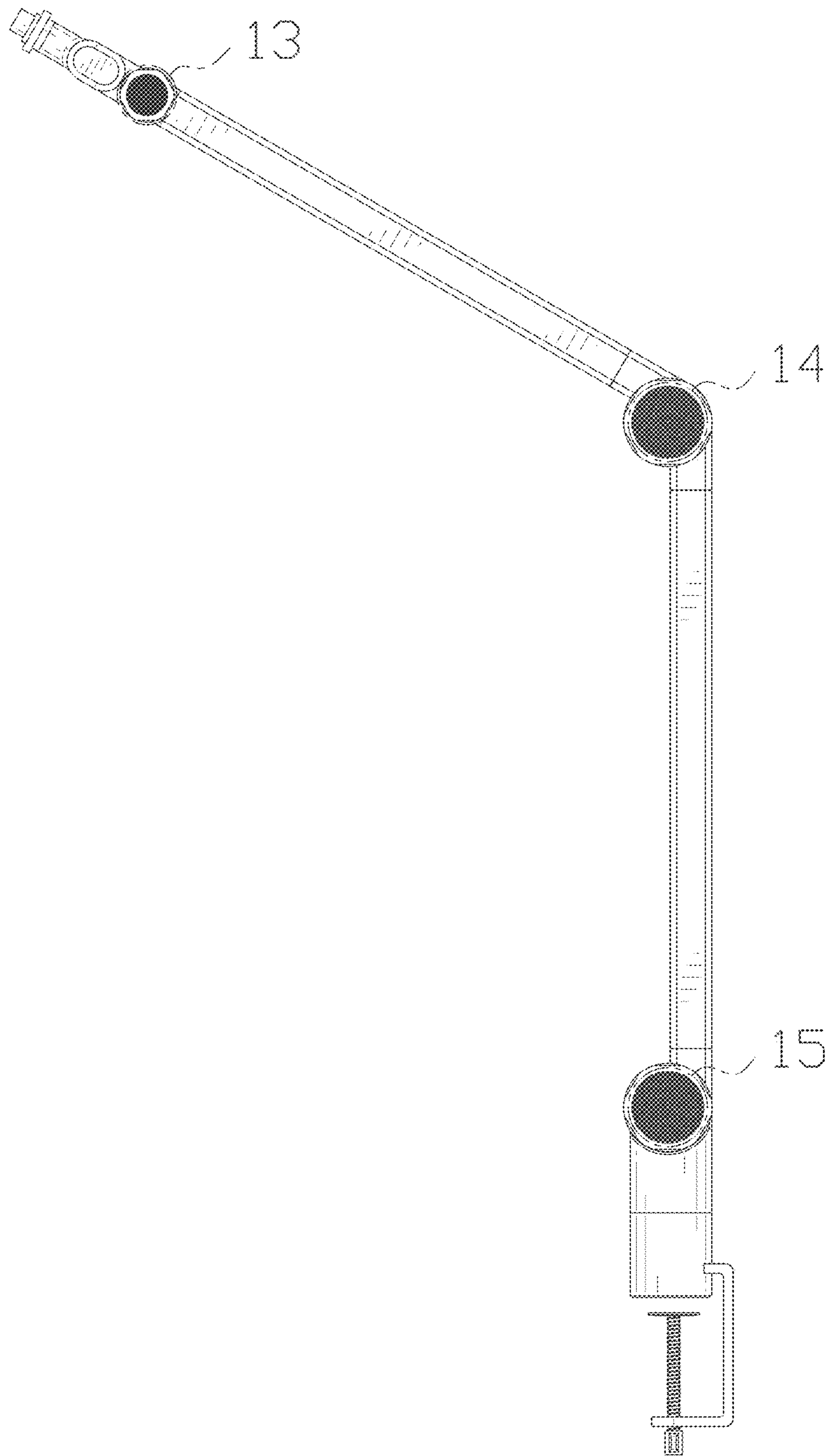


FIG. 6

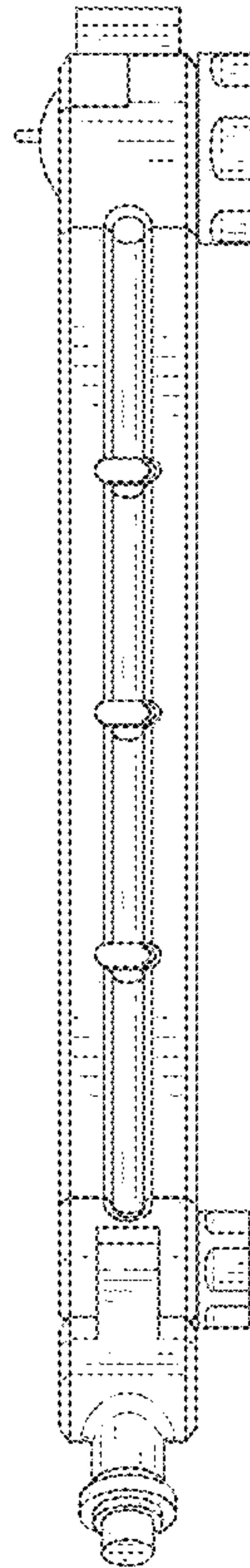


FIG. 7

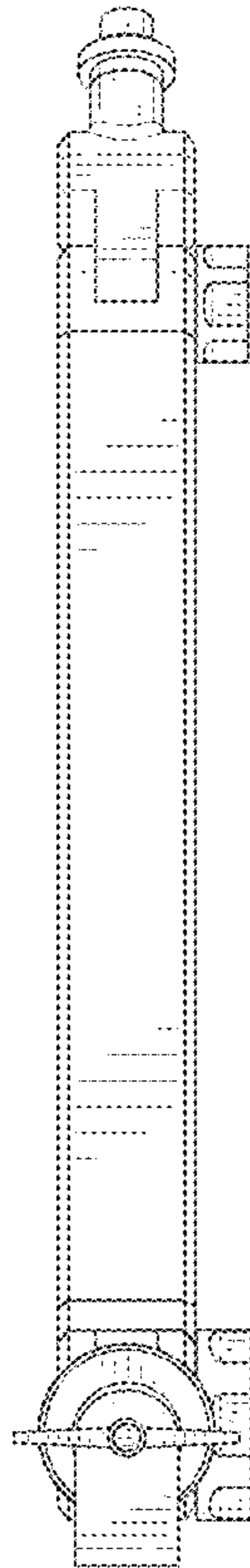


FIG. 8

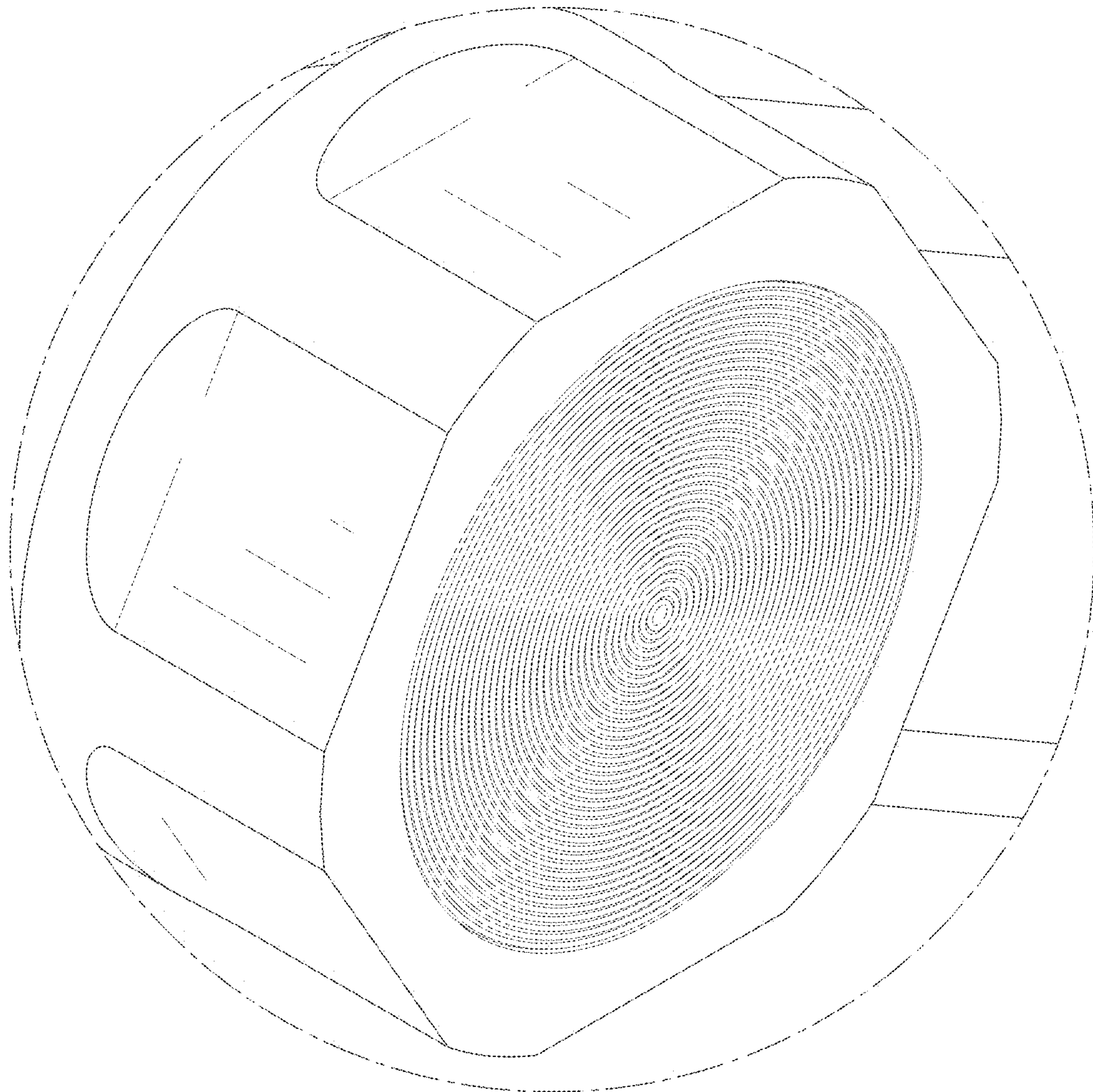


FIG. 9

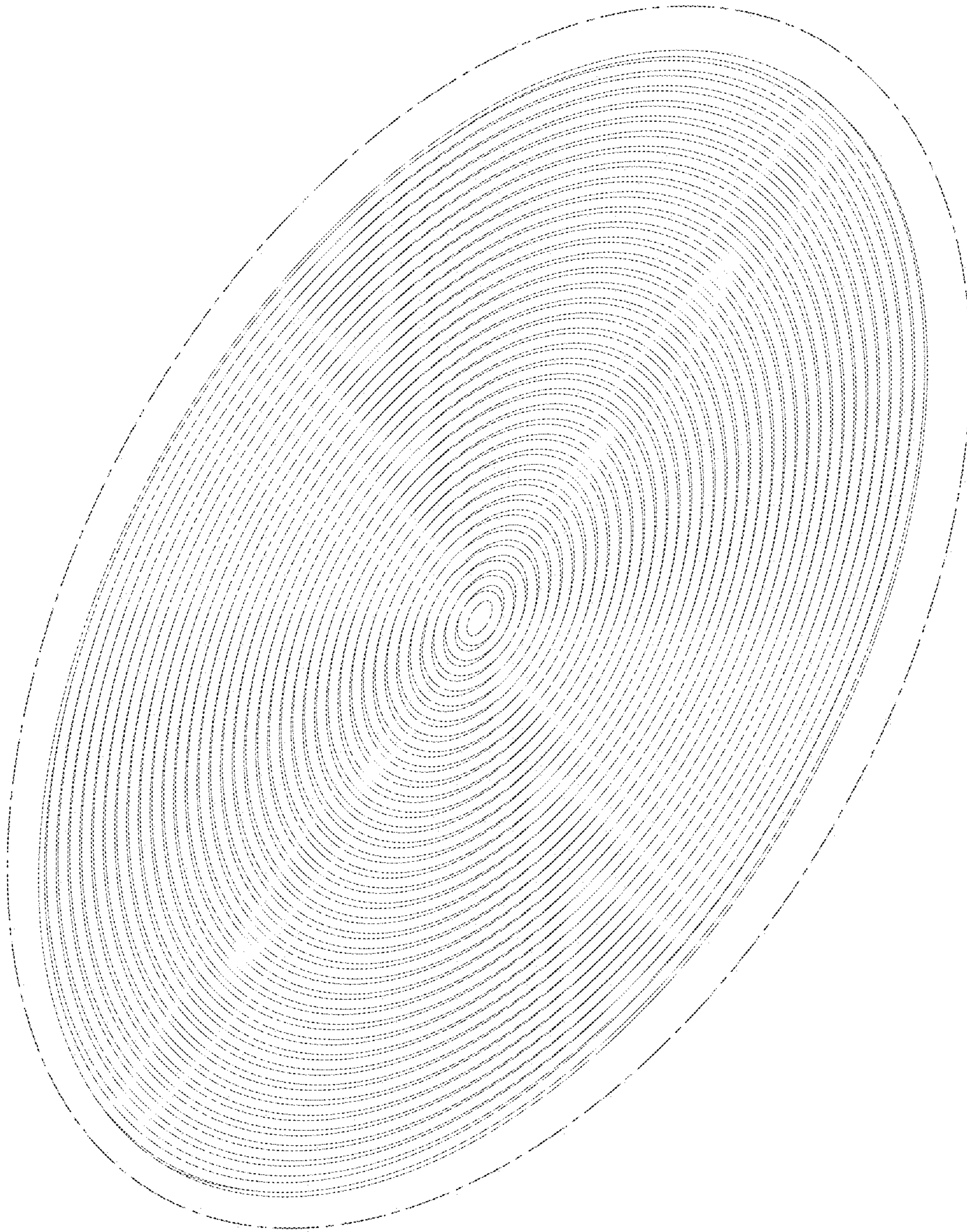


FIG. 10

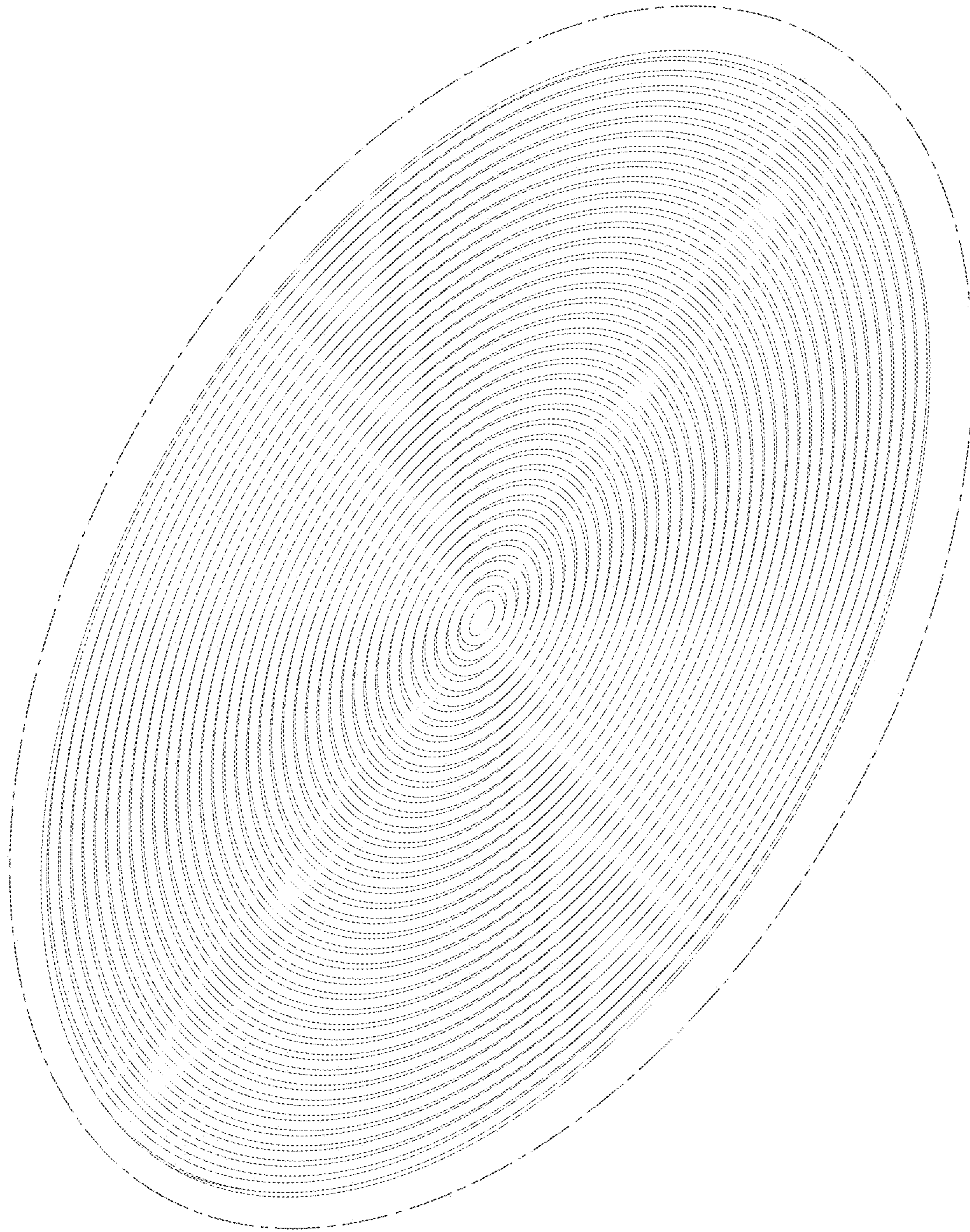


FIG. 11

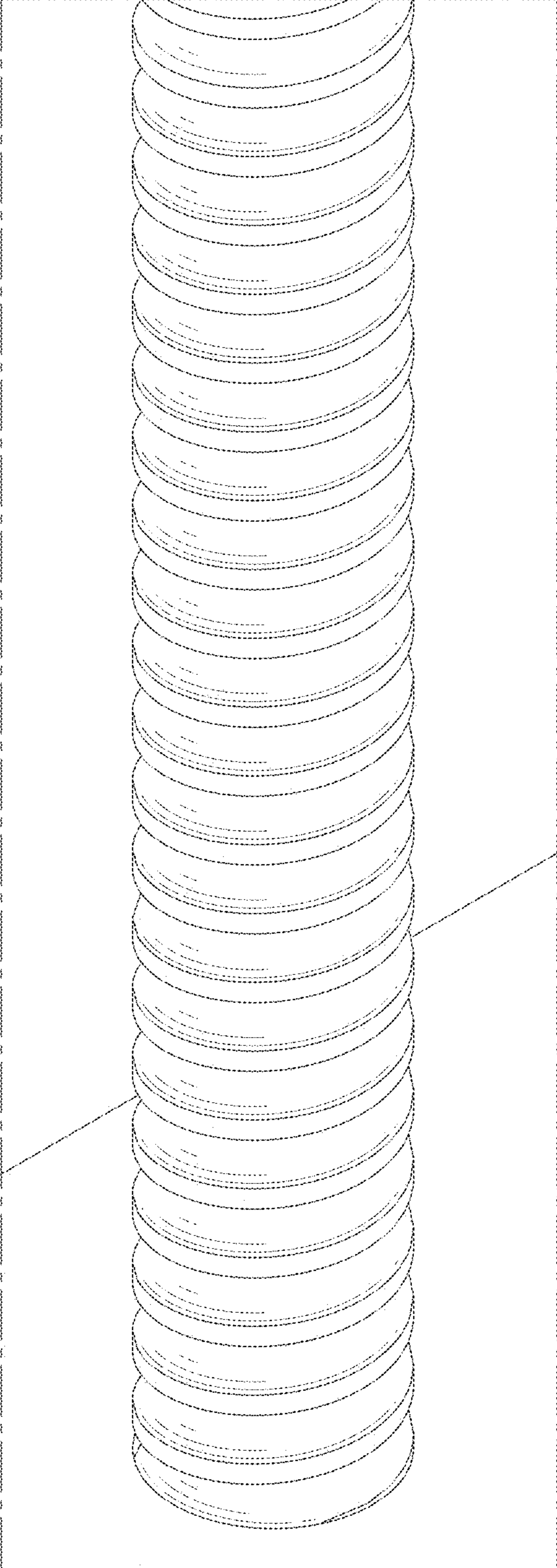


FIG. 12

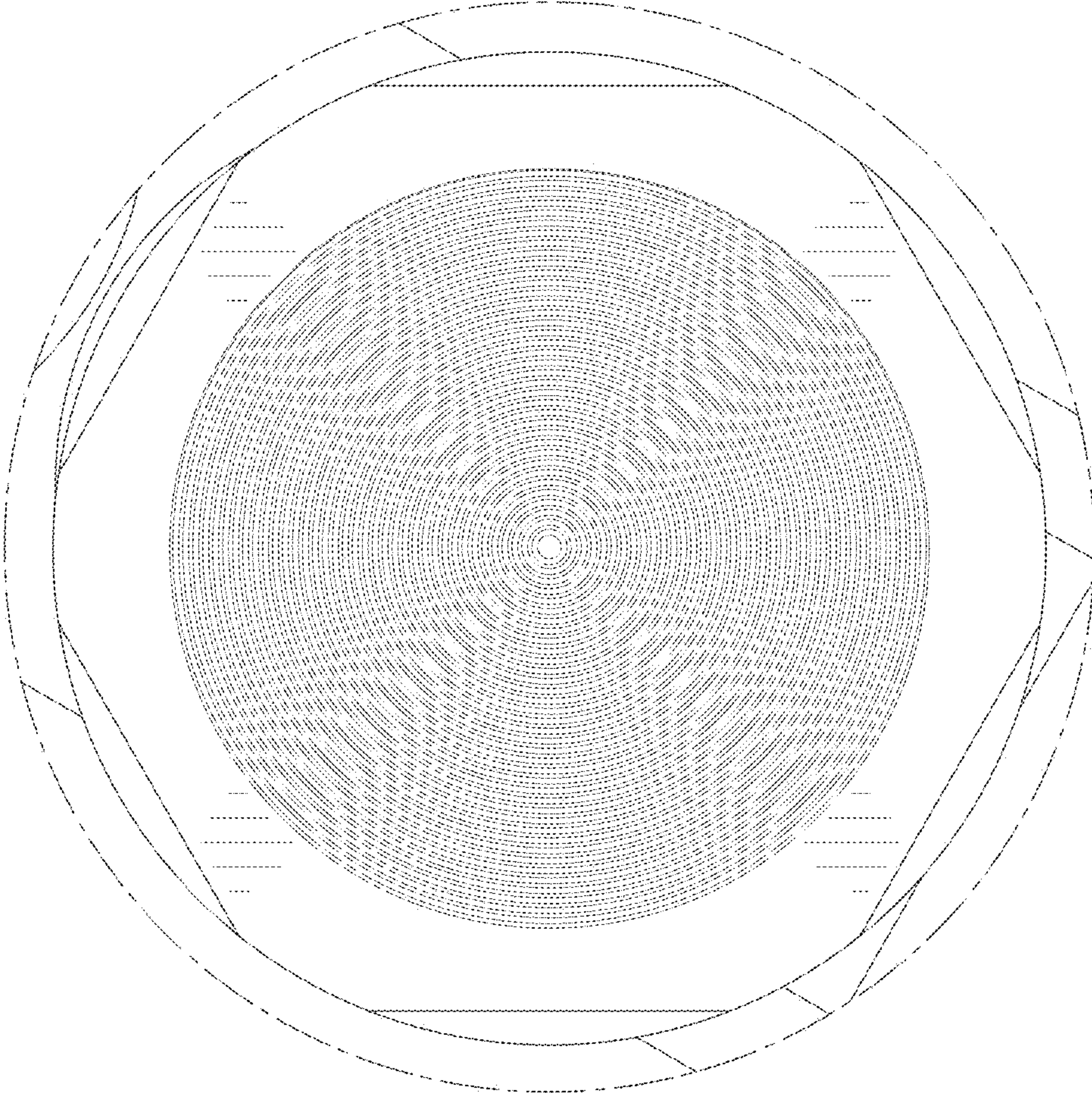


FIG. 13

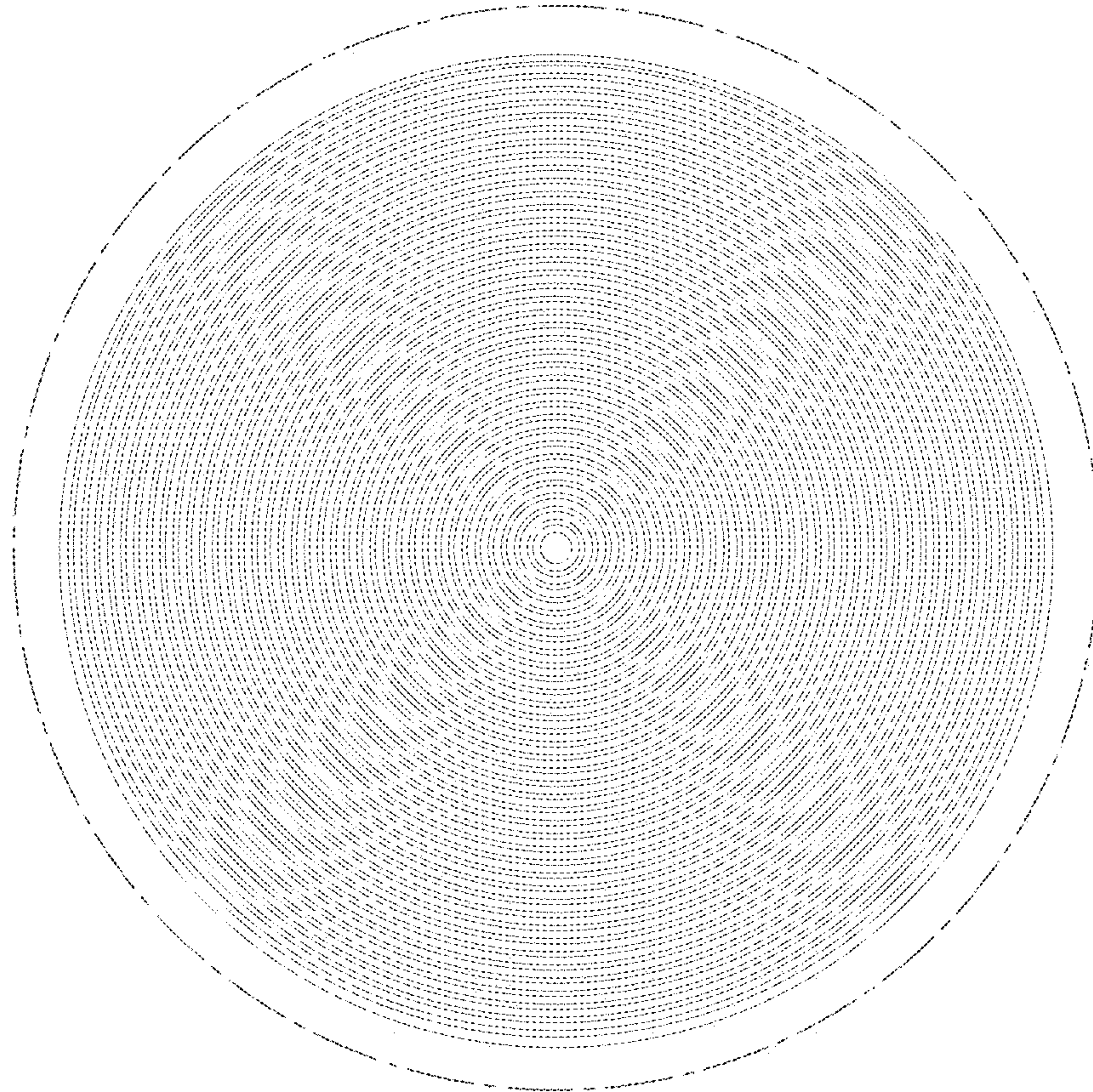


FIG. 14

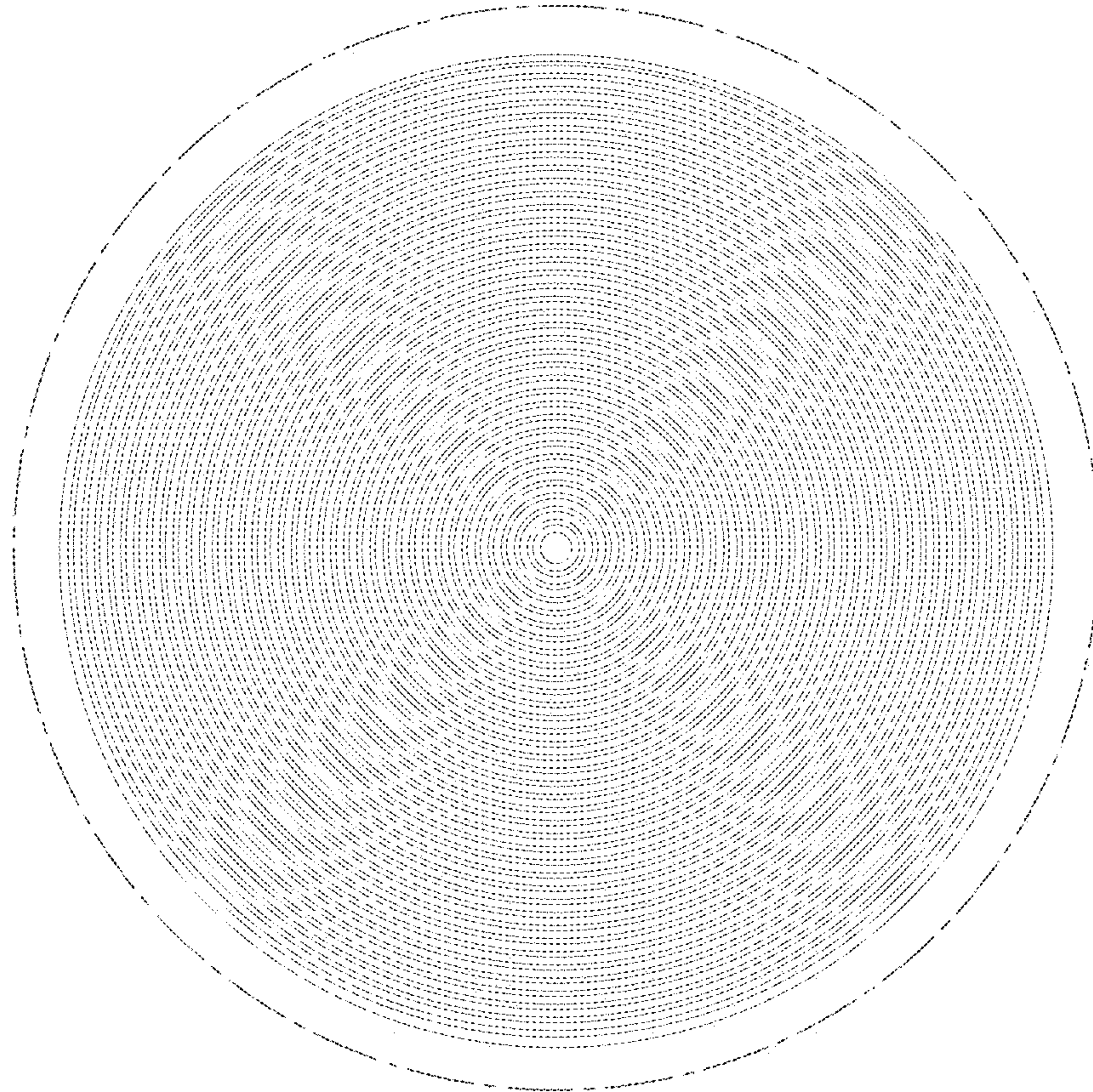


FIG. 15