



US00D976240S

(12) **United States Design Patent** (10) **Patent No.:** **US D976,240 S**
Xie (45) **Date of Patent:** **** Jan. 24, 2023**

(54) **MICROPHONE**

FOREIGN PATENT DOCUMENTS

(71) Applicant: **Shenzhen Dingchuang Smart Manufacturing Company Limited**, Guangdong (CN)

CN 306670690 * 7/2021
CN 306907331 * 10/2021
CN 307100922 * 2/2022

(72) Inventor: **Yong Xie**, Jiangxi (CN)

OTHER PUBLICATIONS

(73) Assignee: **Shenzhen Dingchuang Smart Manufacturing Company Limited**, Guangdong (CN)

Fifine Podcast Microphone, date first available: Jul. 30, 2019, [retrieved Jul. 27, 2022], Retrieved from Internet, URL: <https://www.amazon.com/dp/B07VTRNF44/ref=sspa_dk_detail_6?pf_rd_p=3481f441-61ac-4028-9c1a-7f9ce8ec50c5&pf_rd_r=VM49EH2SYGRD0B%E2%80%A6> (Year: 2019).*

(**) Term: **15 Years**

(Continued)

(21) Appl. No.: **29/784,945**

Primary Examiner — Messina L Smith

Assistant Examiner — Aram Kwon

(22) Filed: **May 21, 2021**

(74) *Attorney, Agent, or Firm* — ScienBiziP, P.C.

(51) **LOC (14) Cl.** **14-01**

(52) **U.S. Cl.**
USPC **D14/225**

(57) **CLAIM**

(58) **Field of Classification Search**
USPC D14/155–159, 160–173, 187–188, D14/189–198, 203.1–203.8, 204–216, D14/217–222, 223, 224–229, 257–258, D14/496, 498–506; D6/672–673, 675.1, D6/682
CPC H04R 1/02; H04R 1/021; H04R 1/025; H04R 1/026; H04R 1/028; H04R 1/06; H04R 1/105; H04R 1/323; H04R 1/403; H04R 1/2803; H04R 1/2834
See application file for complete search history.

The ornamental design for a microphone, as shown and described.

DESCRIPTION

(56) **References Cited**

U.S. PATENT DOCUMENTS

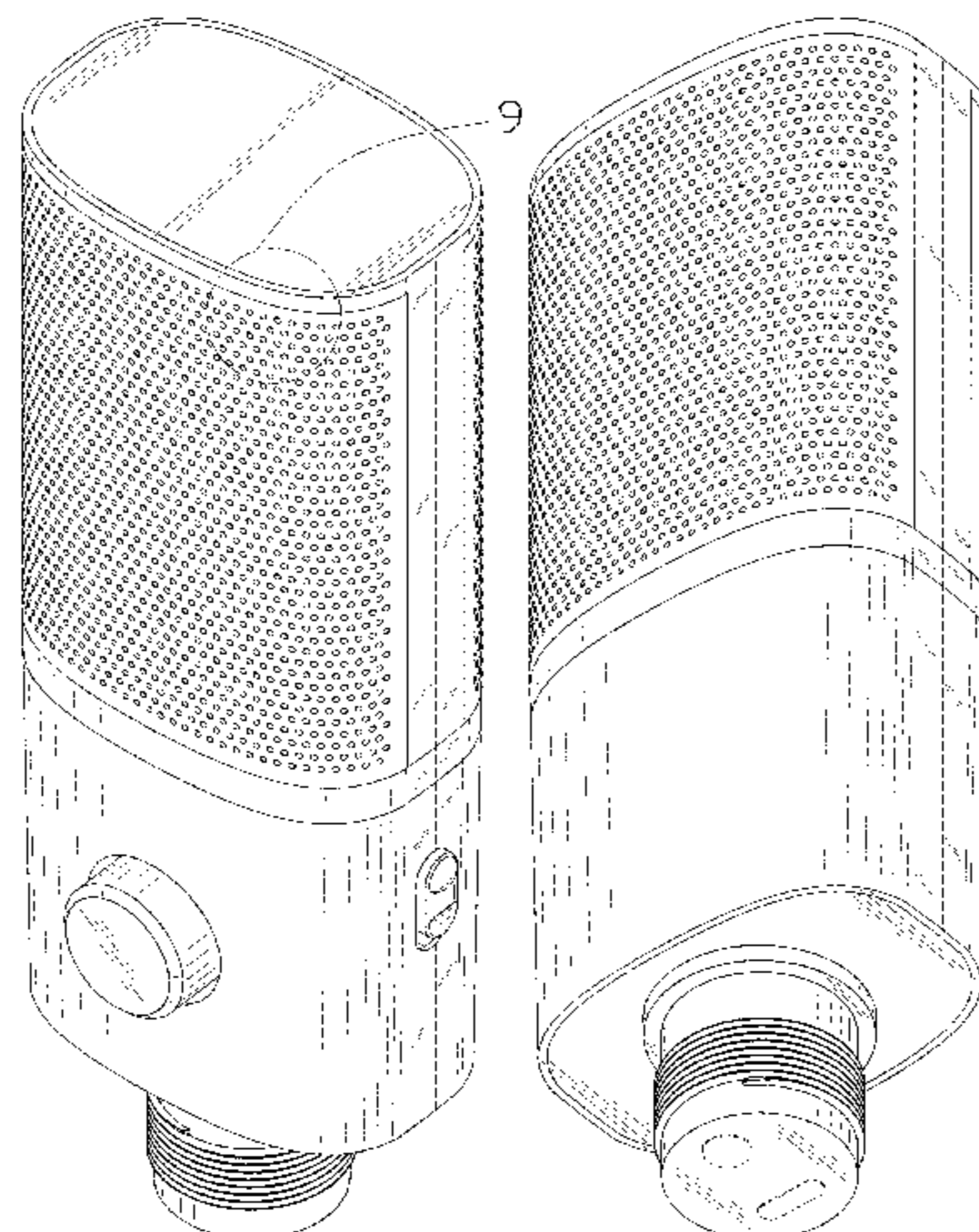
D220,108 S * 3/1971 van de Poel D14/228
D917,429 S * 4/2021 Xiang D14/228
D917,430 S * 4/2021 Mai D14/228
D917,432 S * 4/2021 Mai D14/227
D917,433 S * 4/2021 Wang D14/228

FIG. 1 is a front, right, and top perspective view of a microphone, showing my design.
FIG. 2 is a rear, left, and bottom perspective view thereof.
FIG. 3 is a front elevation view thereof.
FIG. 4 is a rear elevation view thereof.
FIG. 5 is a left side elevation view thereof.
FIG. 6 is a right side elevation view thereof.
FIG. 7 is a top plan view thereof.
FIG. 8 is a bottom plan view thereof.
FIG. 9 is an enlarged view of an encircled area of the microphone labeled 9 in FIG. 1; and,
FIG. 10 is an enlarged view of an encircled area of the microphone labeled 10 in FIG. 3.

(Continued)

The evenly dashed broken lines shown in FIGS. 2-6 and 8 illustrate portions of the microphone that form no part of the claimed design. The dash-dot broken lines shown in FIGS.

(Continued)



1, 3, and 9-10 encircling portions illustrated in enlargements form no part of the claimed design.

1 Claim, 10 Drawing Sheets

(56) **References Cited**

U.S. PATENT DOCUMENTS

D918,184 S *	5/2021	Xiang	D14/228
D918,186 S *	5/2021	Mai	D14/227
D925,505 S *	7/2021	Wang	D14/228
D925,506 S *	7/2021	Wang	D14/228
D926,734 S *	8/2021	Balac	D14/225
D951,921 S *	5/2022	Li	D14/225
2008/0152174 A1 *	6/2008	Marshall	H04R 19/04 381/172

OTHER PUBLICATIONS

USB Microphone, date first available: May 30, 2020, [retrieved Jul. 27, 2022], Retrieved from Internet, URL: <https://www.amazon.com/Microphone-Cancelling-Headphone-Condenser-Compatible/dp/B089F2SF73/ref=asc_df_B089F2SF73/?tag=hyprod-20&lin%28%80%A6> (Year: 2020).*

USB Microphone, date first available: Jun. 1, 2022, [retrieved Jul. 27, 2022], Retrieved from Internet, URL: <https://www.amazon.com/dp/B0B2WK9CBP/ref=sspa_dk_detail_4?psc=1&pd_rd_i=B0B2WK9CBP&pd_rd_w=h0pAV&content-id=amzn1.sym.3be1c5%E2%80%A6> (Year: 2022).*

Maono Microphone Review, Jul. 20, 2022, [retrieved Jul. 27, 2022], Retrieved from Internet, URL: <<https://techjury.net/reviews/maono-microphone-review/#gref>> (Year: 2022).*

* cited by examiner

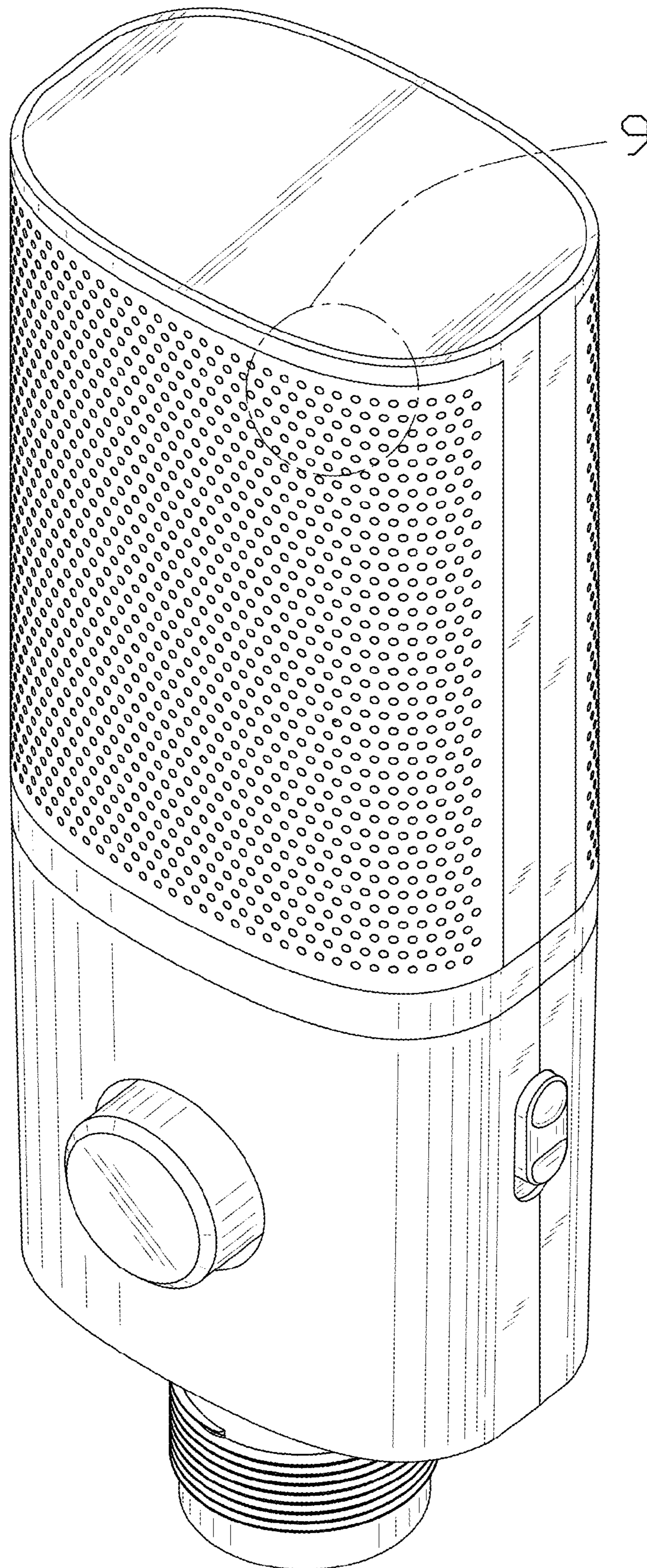


FIG. 1

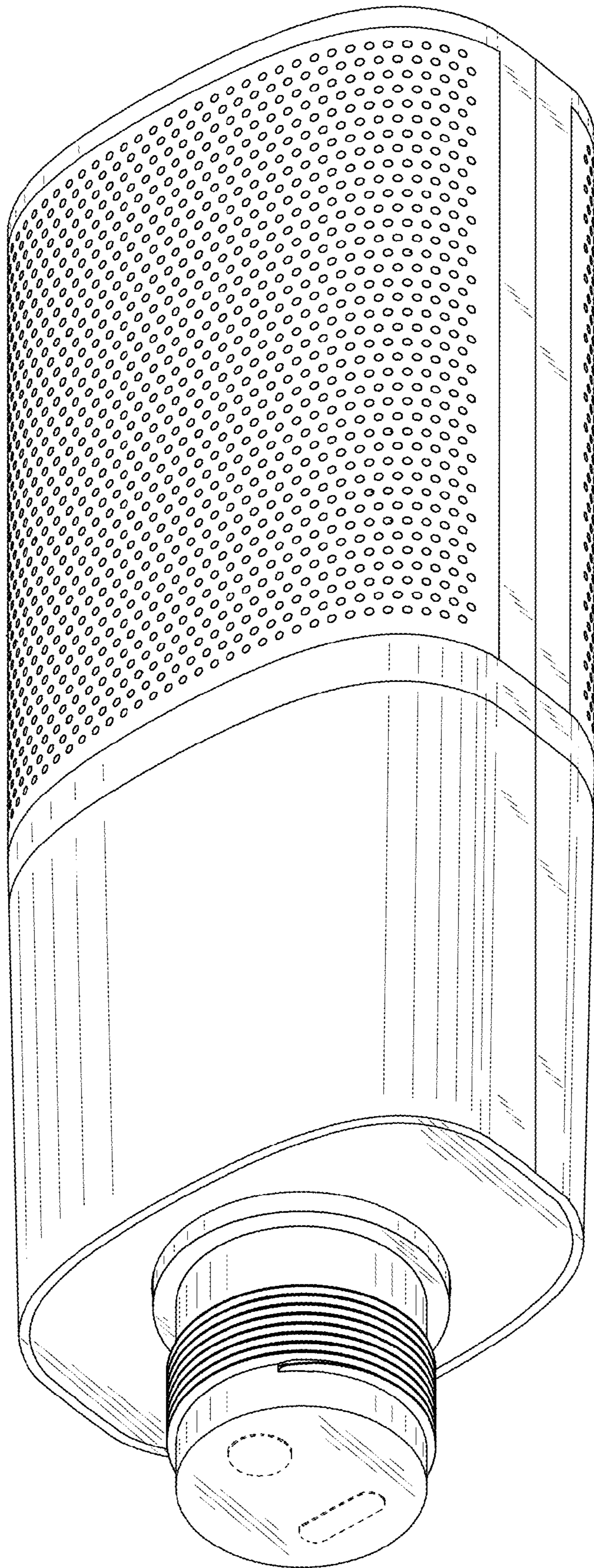


FIG. 2

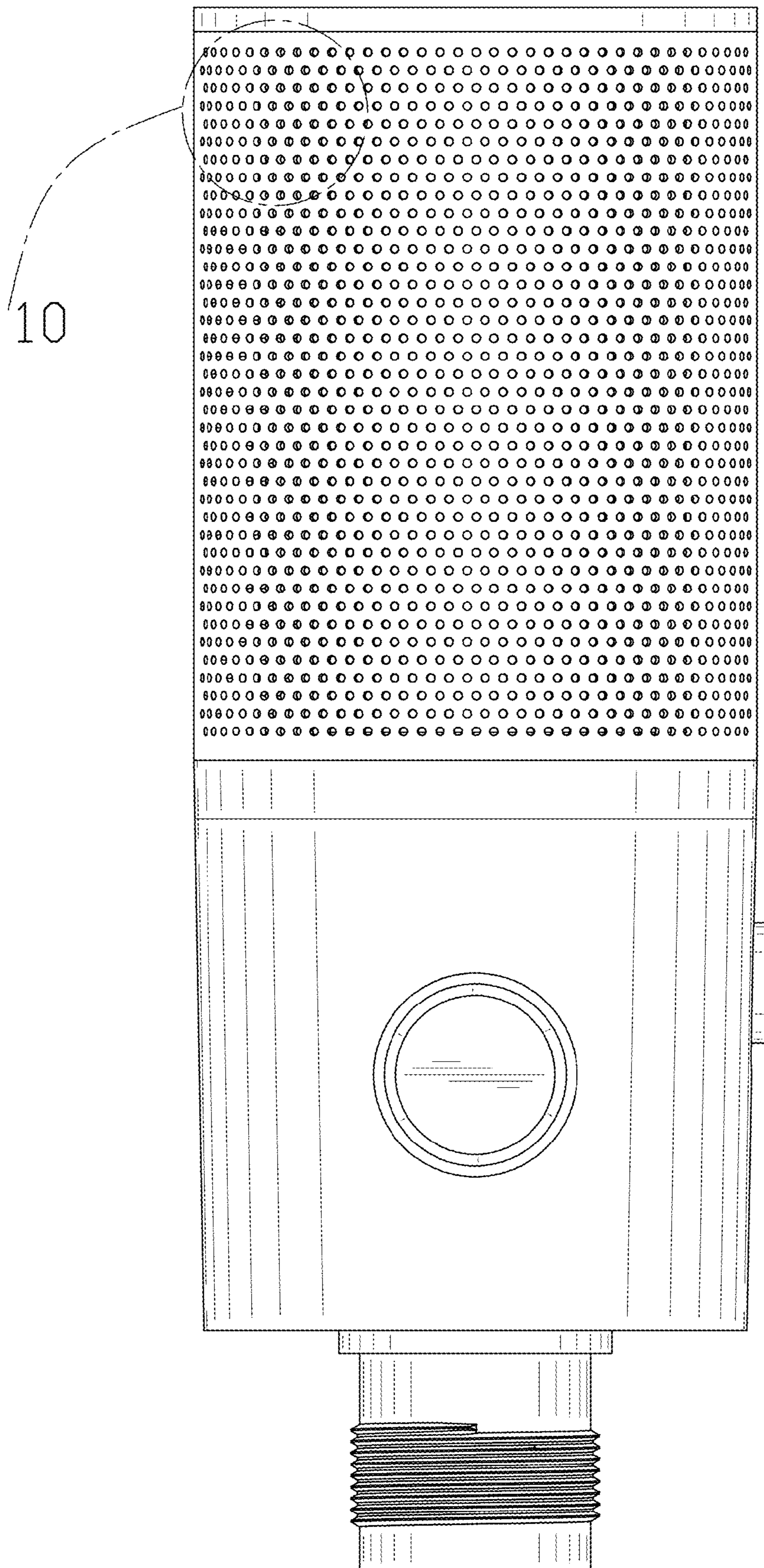


FIG. 3

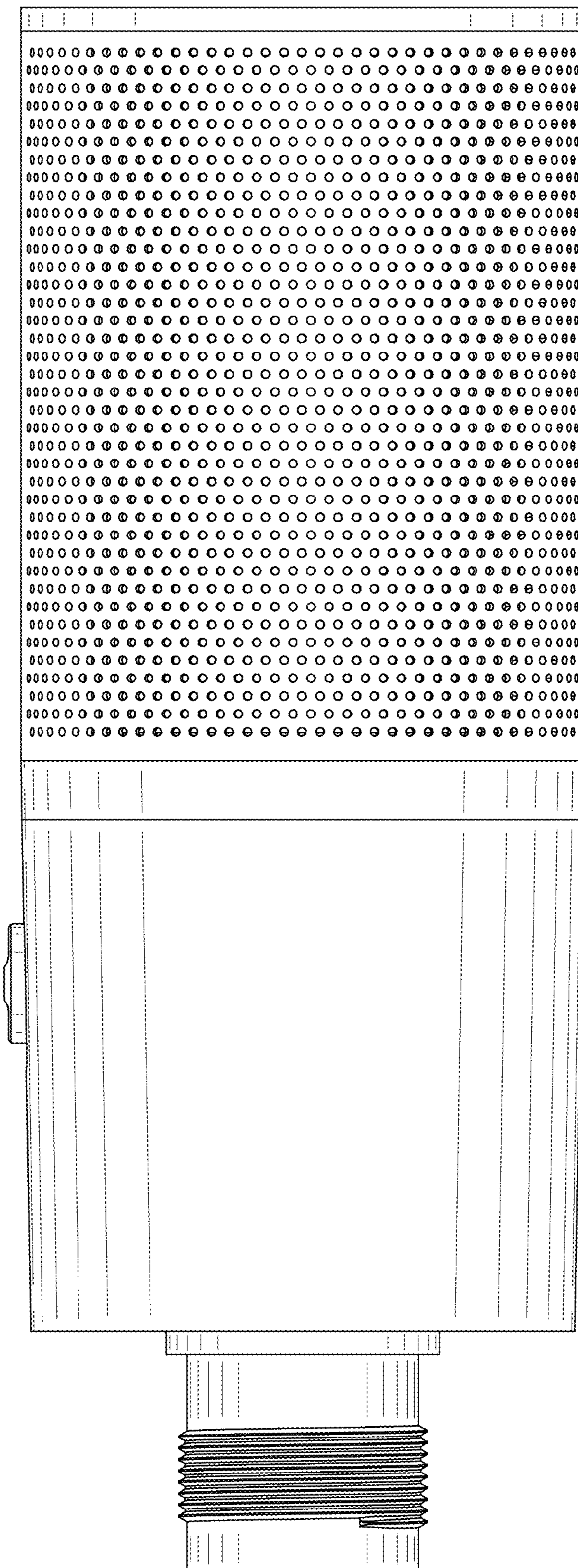


FIG. 4

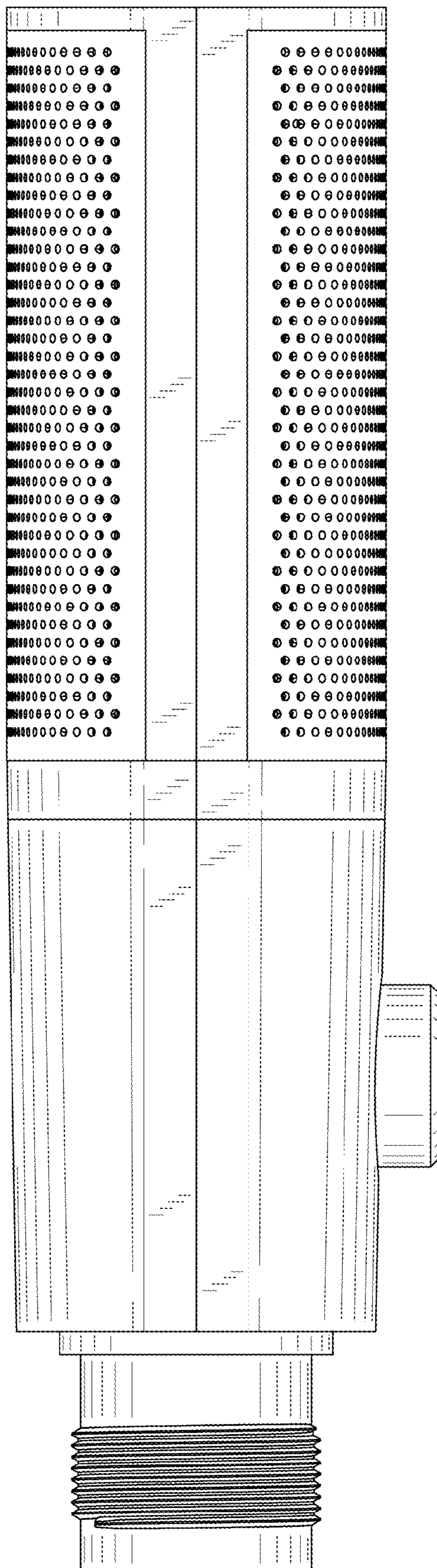


FIG. 5

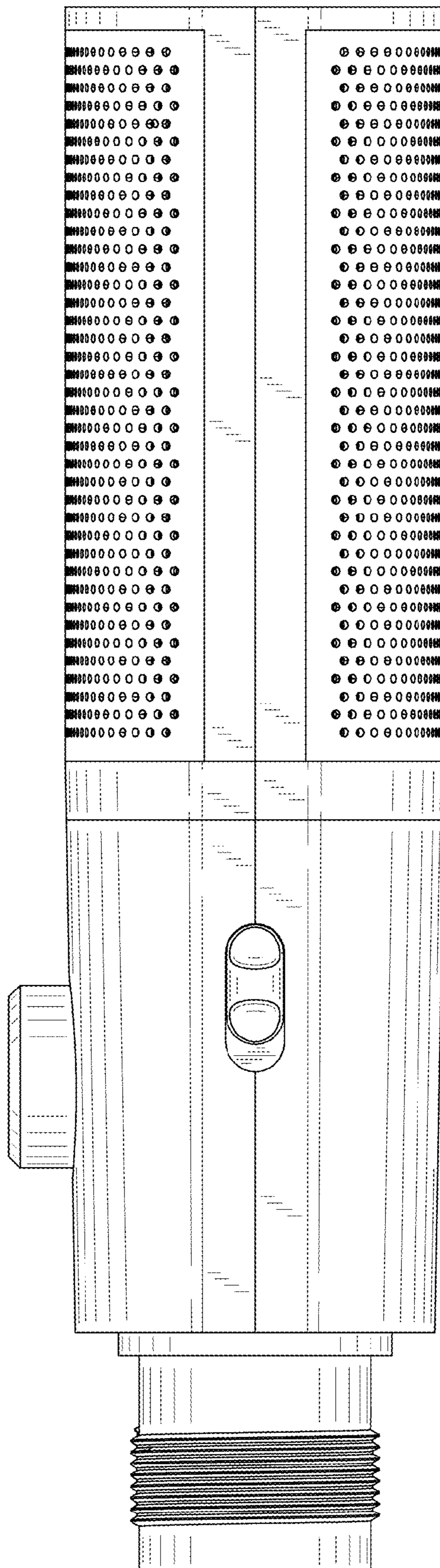


FIG. 6

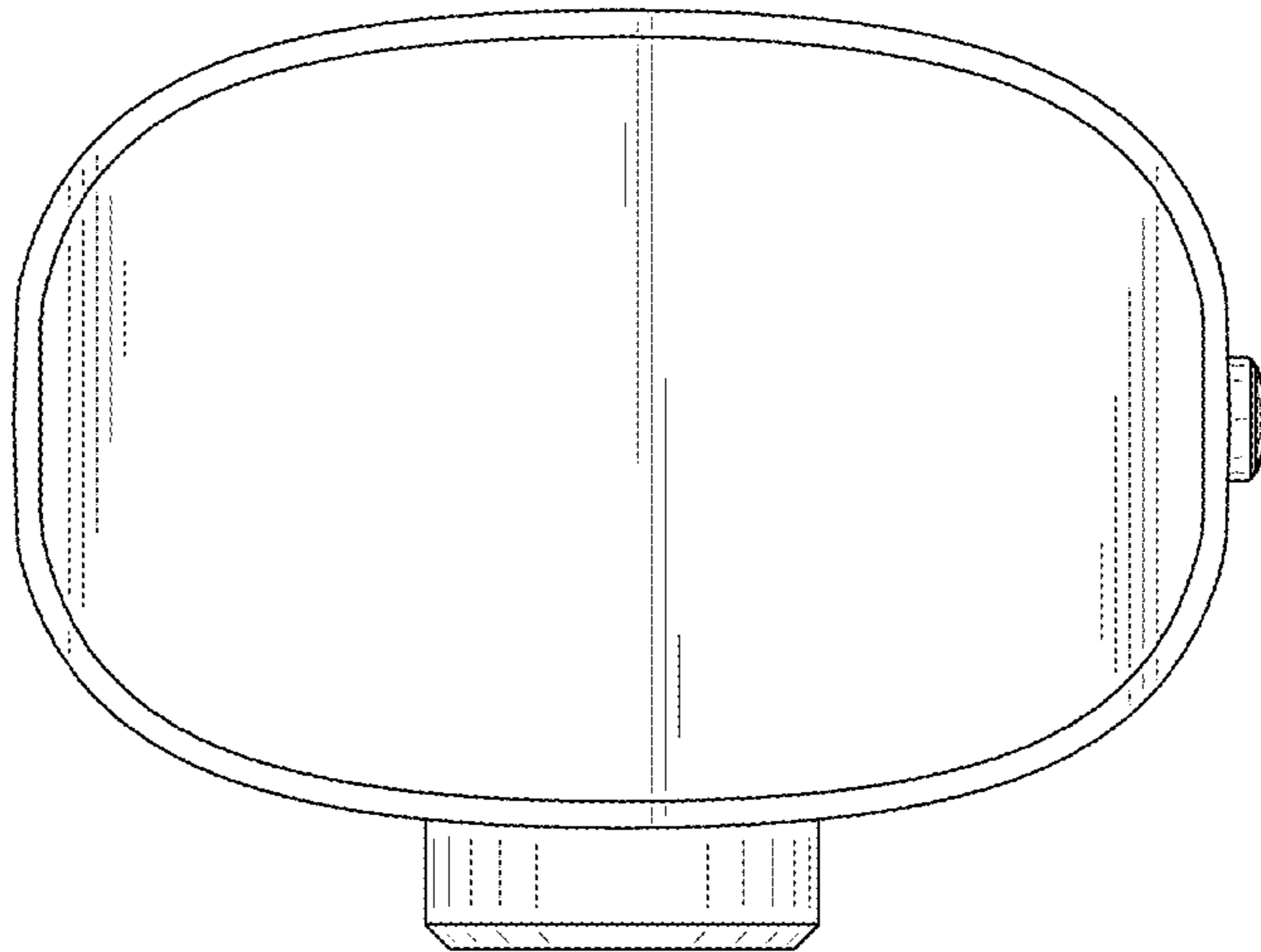


FIG. 7

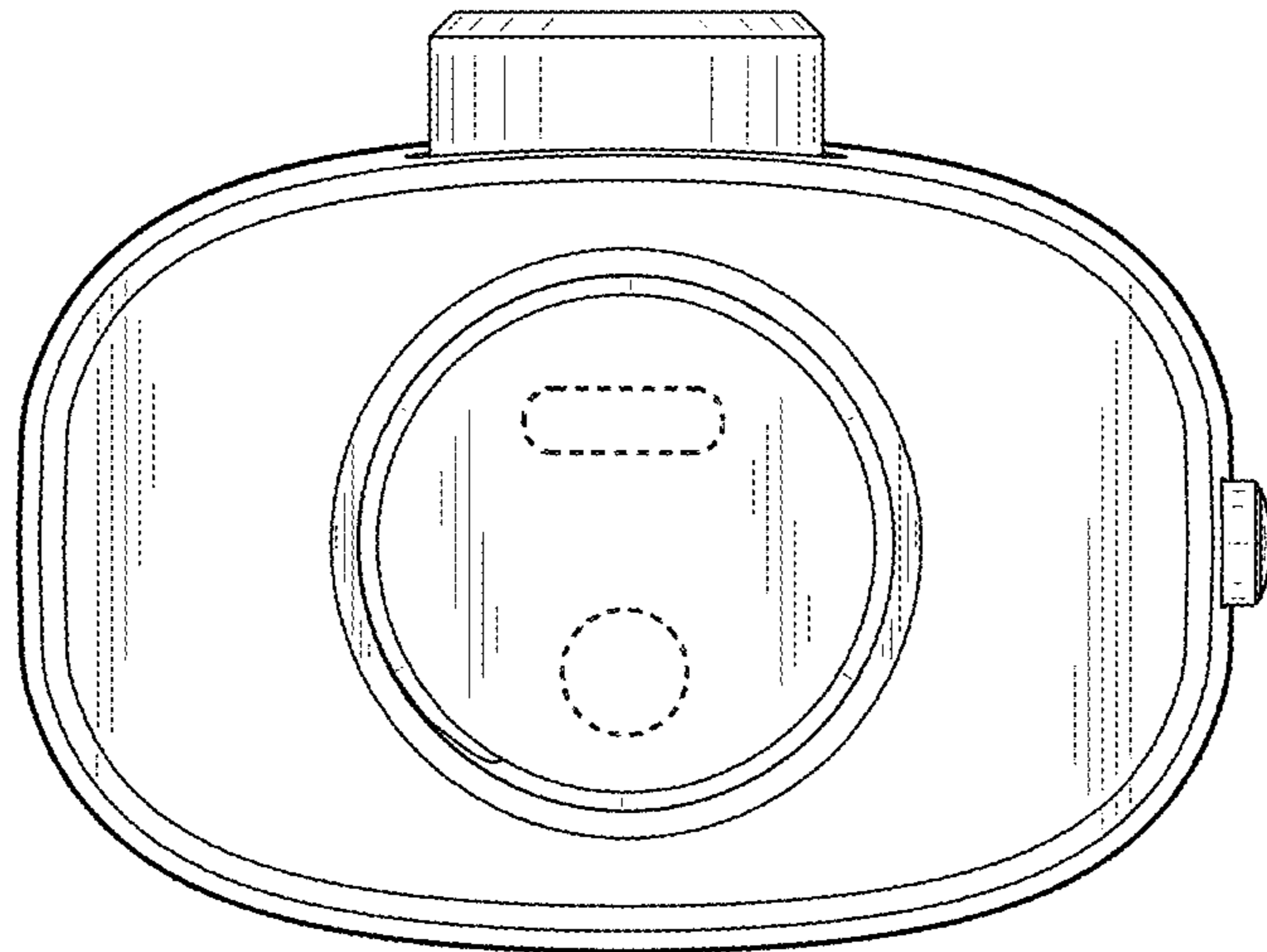


FIG. 8

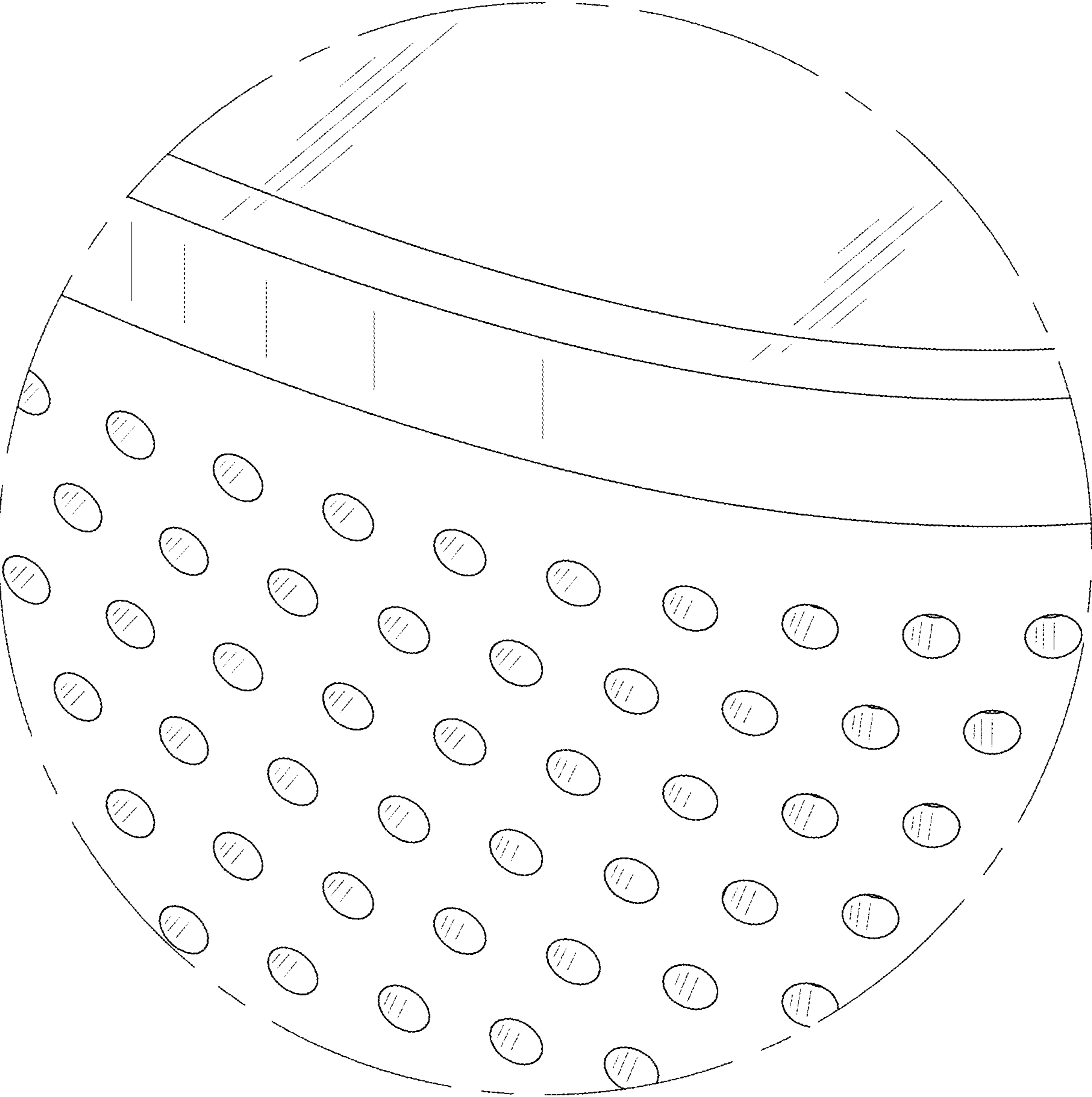


FIG. 9

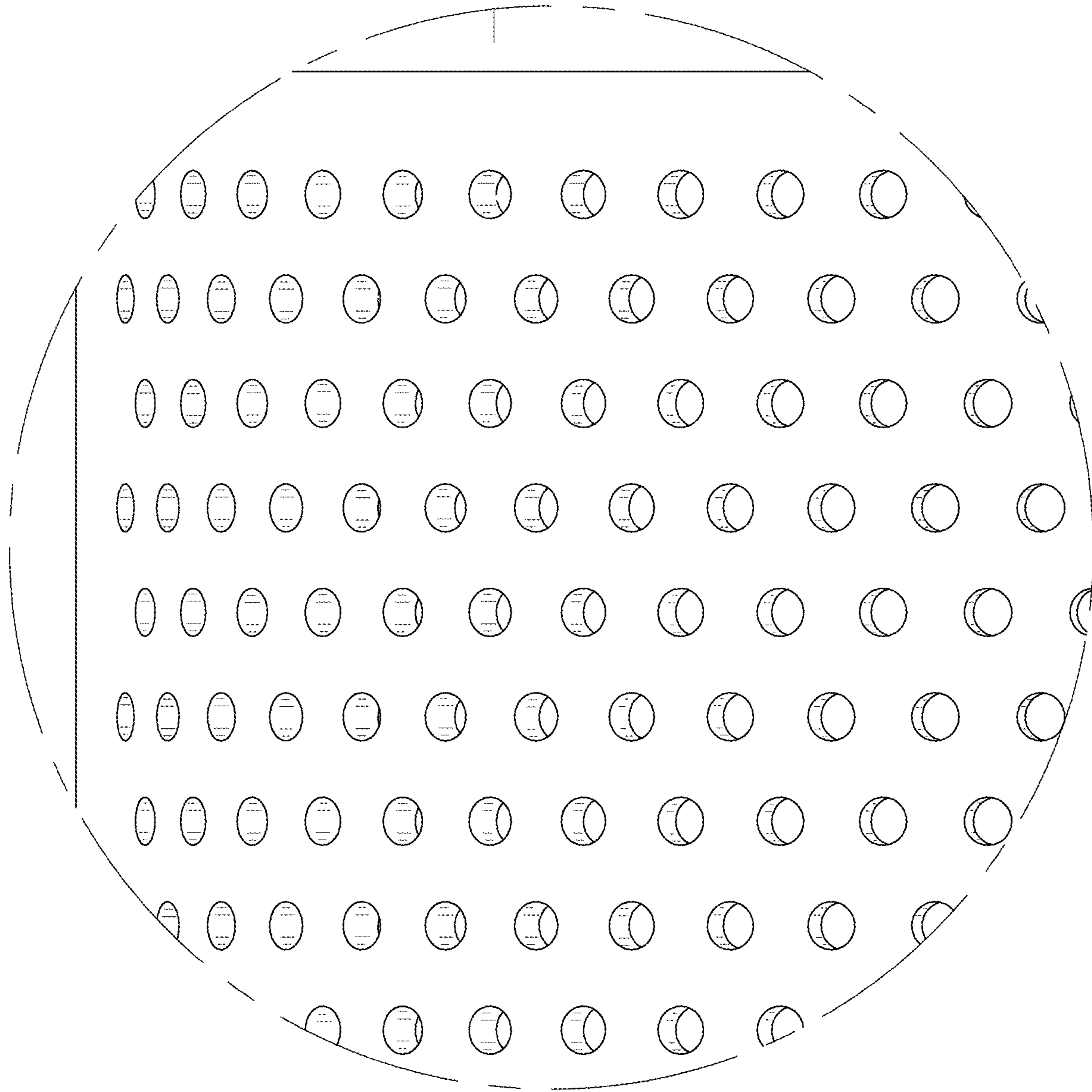


FIG. 10