



US00D976239S

(12) **United States Design Patent** (10) **Patent No.:** **US D976,239 S**  
**Hu** (45) **Date of Patent:** **\*\* Jan. 24, 2023**

(54) **WIRELESS HEADBAND**  
(71) Applicant: **Shiming Hu**, Pingxiang (CN)  
(72) Inventor: **Shiming Hu**, Pingxiang (CN)  
(\*\*) Term: **15 Years**  
(21) Appl. No.: **29/825,190**  
(22) Filed: **Jan. 29, 2022**  
(51) **LOC (14) Cl.** ..... **14-01**  
(52) **U.S. Cl.**  
USPC ..... **D14/223**  
(58) **Field of Classification Search**  
USPC ..... D14/192, 205, 223  
CPC ..... H04R 5/0335; H04R 2201/023; H04R  
1/1041  
See application file for complete search history.

(56) **References Cited**

**U.S. PATENT DOCUMENTS**

D192,070 S \* 1/1962 Wall ..... D29/112  
4,727,599 A \* 2/1988 Rappaport ..... H04R 5/0335  
455/352  
5,625,903 A \* 5/1997 Schultz ..... H04R 5/0335  
2/209  
D384,790 S \* 10/1997 Juergens ..... D2/866  
5,881,390 A \* 3/1999 Young ..... A42B 1/245  
2/209.13  
D511,036 S \* 11/2005 Moses ..... D2/894  
8,111,859 B2 \* 2/2012 Phillips ..... H04R 5/0335  
381/376  
8,539,913 B2 \* 9/2013 Caputo ..... A01K 15/021  
119/859  
D828,339 S \* 9/2018 Degraye ..... D14/223  
D832,558 S \* 11/2018 Hawes ..... D2/875  
D841,625 S \* 2/2019 Degraye ..... D14/223  
D870,062 S \* 12/2019 Peng ..... D2/866  
D913,984 S \* 3/2021 Li ..... D14/192  
D932,459 S \* 10/2021 Liu ..... D14/205  
D944,494 S \* 3/2022 Peng ..... D2/875  
D946,549 S \* 3/2022 Wang ..... D14/205  
D959,403 S \* 8/2022 Li ..... D14/205

D959,404 S \* 8/2022 Li ..... D14/205  
D961,196 S \* 8/2022 Deng ..... D2/875  
2008/0044052 A1 \* 2/2008 Whipple ..... H04R 1/105  
381/376  
2008/0144872 A1 \* 6/2008 Phillips ..... H04R 5/0335  
381/301  
2014/0321661 A1 \* 10/2014 Alao ..... H04R 1/105  
381/74  
2021/0044883 A1 \* 2/2021 Redfield ..... A61F 7/007

**FOREIGN PATENT DOCUMENTS**

GB 6145649 \* 6/2021

**OTHER PUBLICATIONS**

Perytong Sleep headphones, Amazon image reviews 2019, site visited Sep. 6, 2022, [https://www.amazon.com/Sleep-Headphones-Perytong-Ultra-Thin-Meditation/dp/B07SHBQY7Z/ref=asc\\_df\\_B07SHBQY7Z/](https://www.amazon.com/Sleep-Headphones-Perytong-Ultra-Thin-Meditation/dp/B07SHBQY7Z/ref=asc_df_B07SHBQY7Z/).\*

\* cited by examiner

*Primary Examiner* — John R Yeh

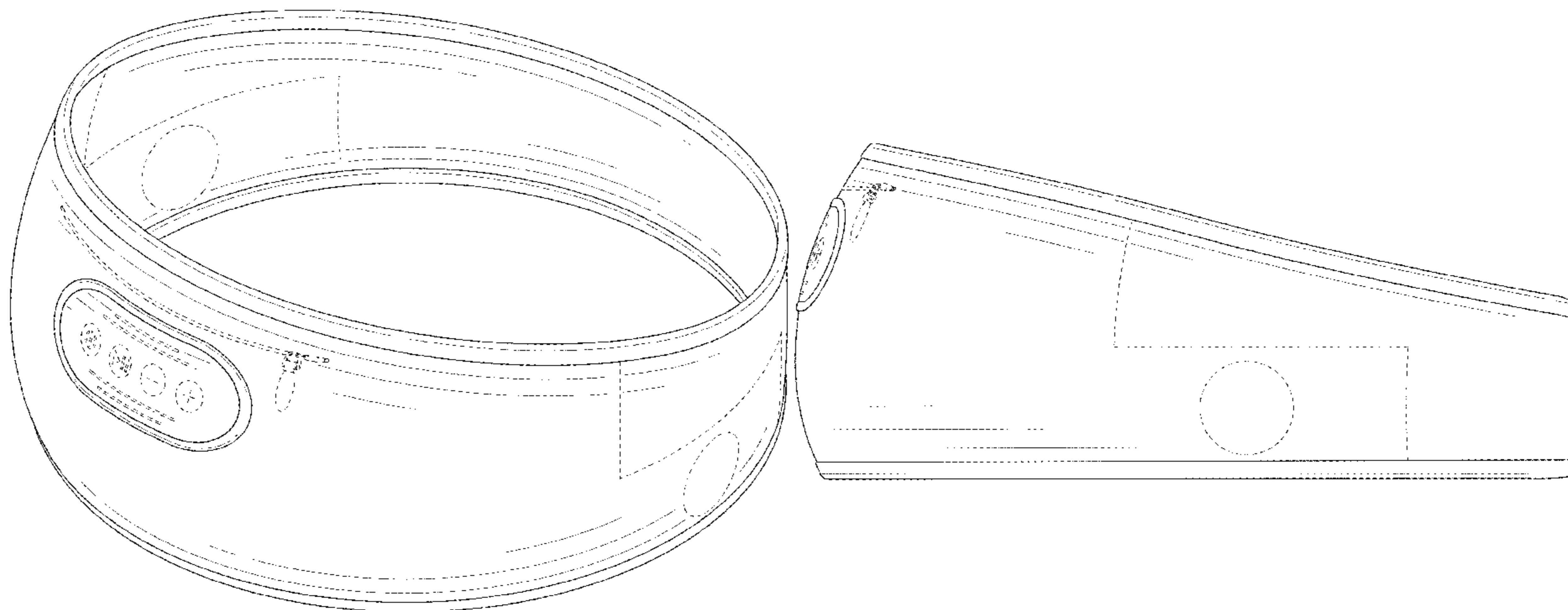
(57) **CLAIM**

The ornamental design for a wireless headband, as shown and described.

**DESCRIPTION**

FIG. 1 is a perspective view of a wireless headband showing my new design;  
FIG. 2 is another perspective view thereof;  
FIG. 3 is a front elevational view thereof;  
FIG. 4 is a rear elevational view thereof;  
FIG. 5 is a left side elevational view thereof;  
FIG. 6 is a right side elevational view thereof;  
FIG. 7 is a top plan view thereof; and,  
FIG. 8 is a bottom plan view thereof.  
The broken lines in the drawings depict portions of the wireless headband that form no part of the claimed design.

**1 Claim, 8 Drawing Sheets**



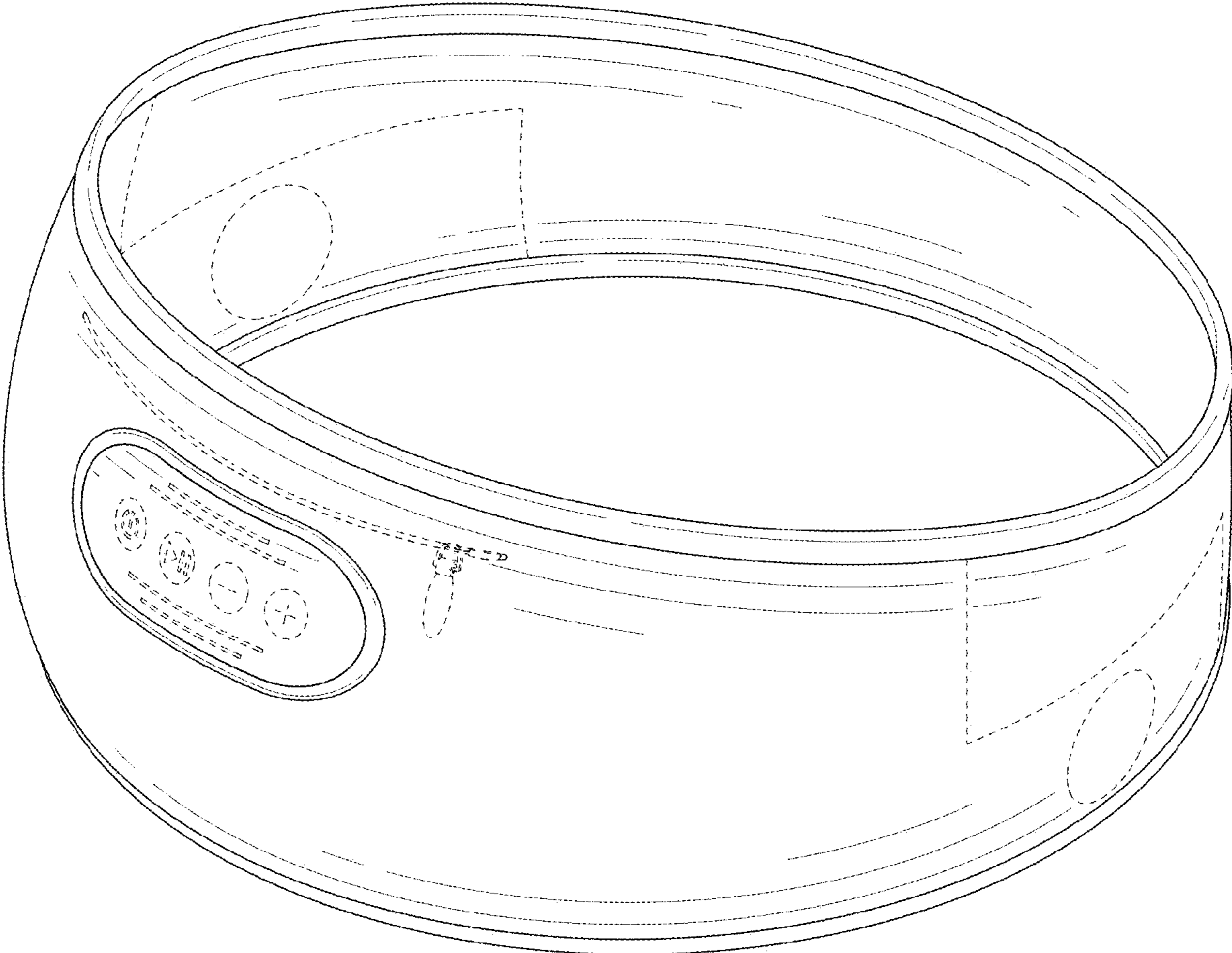


FIG. 1

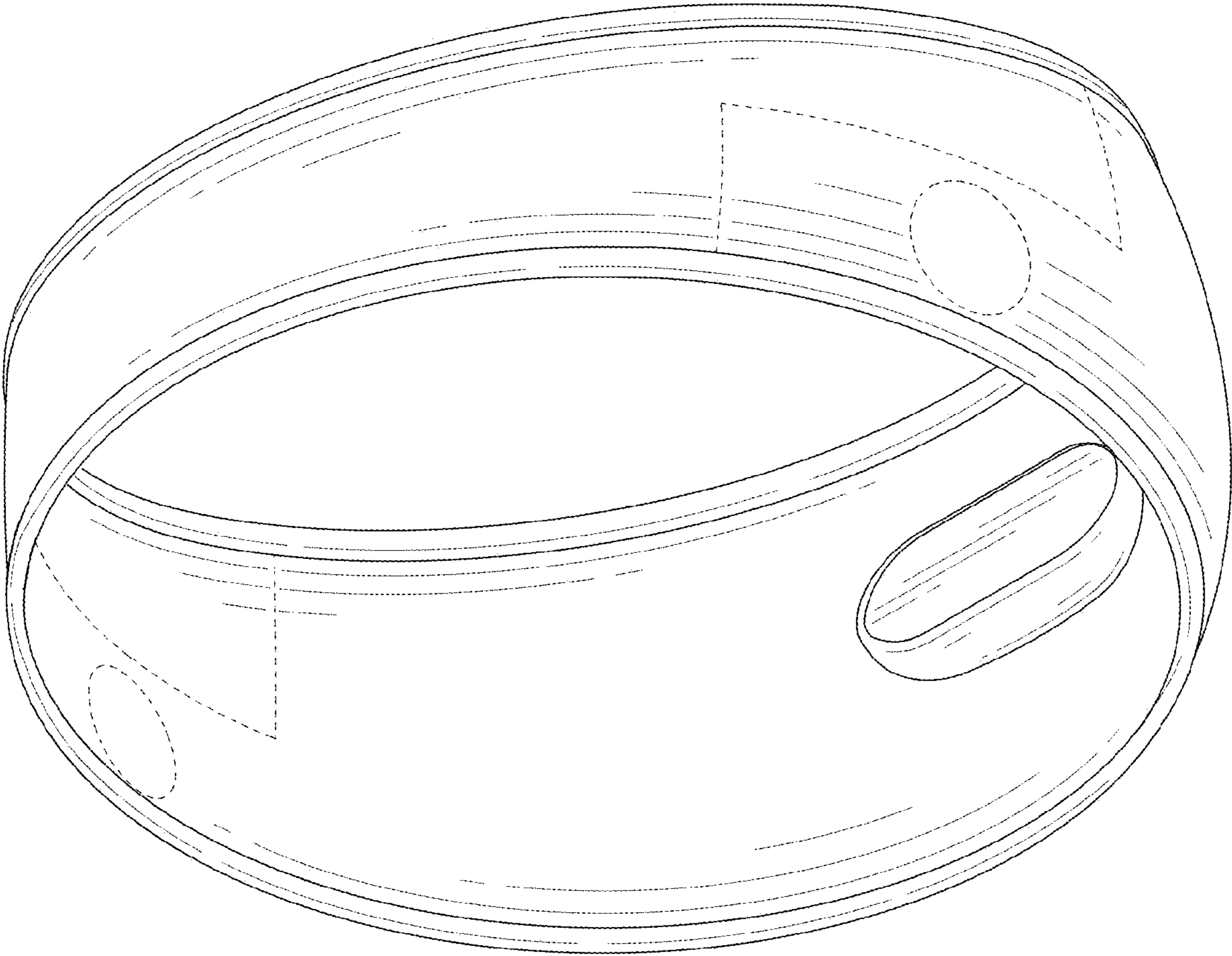


FIG. 2

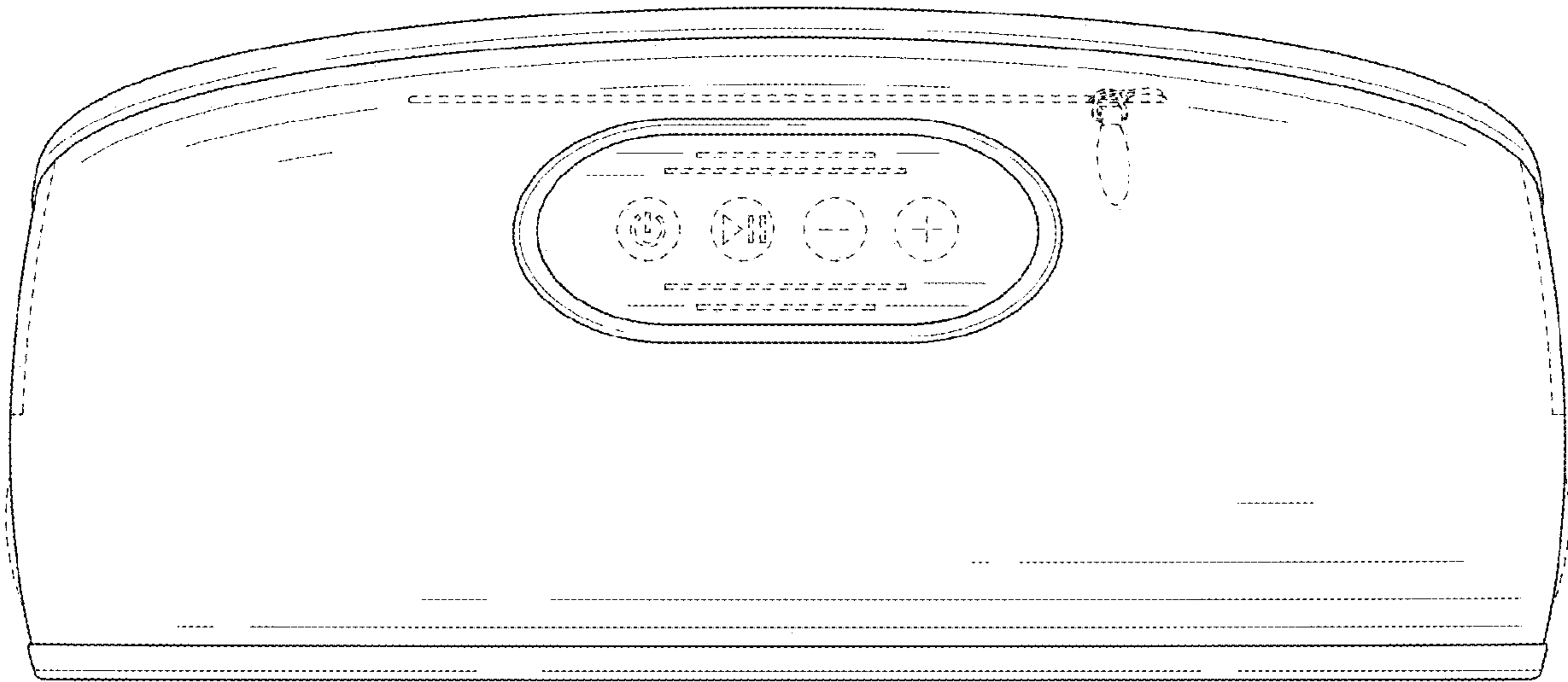


FIG. 3

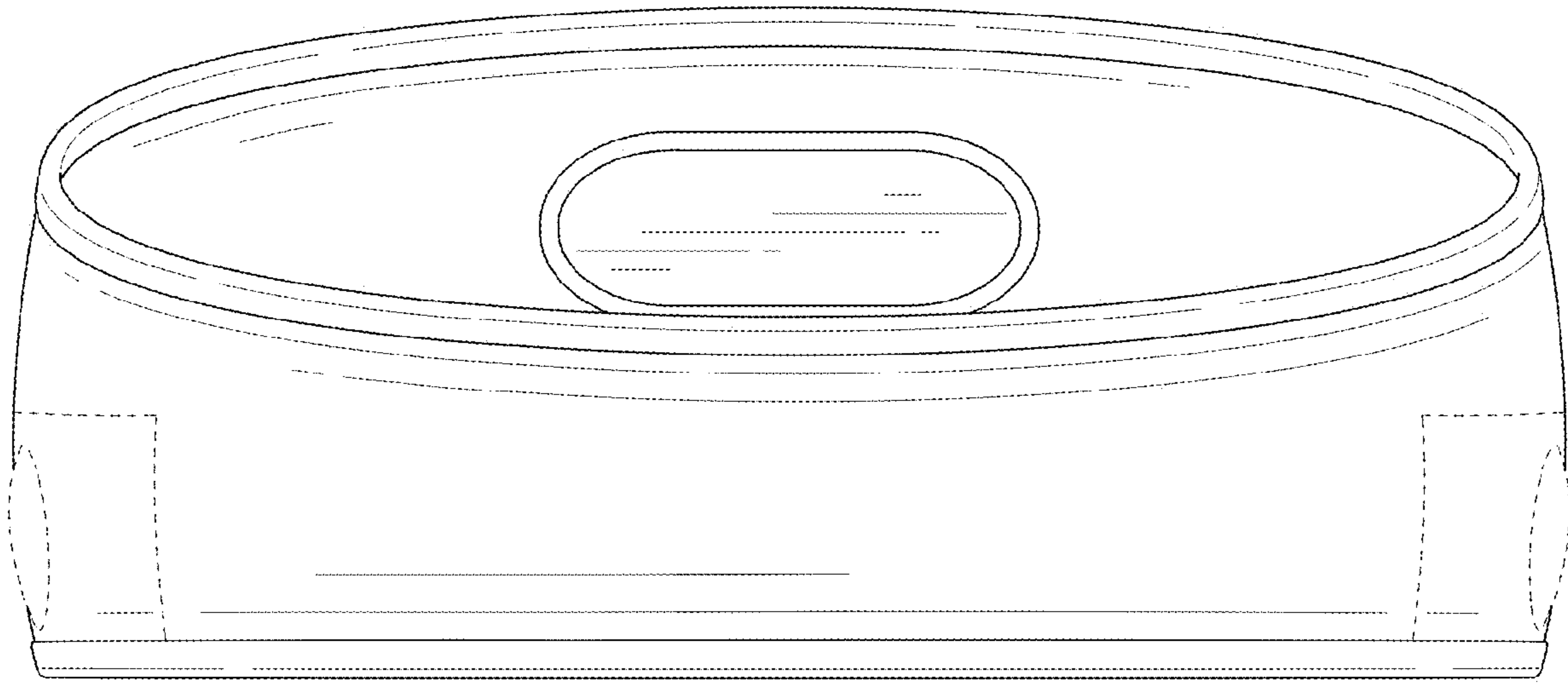


FIG. 4



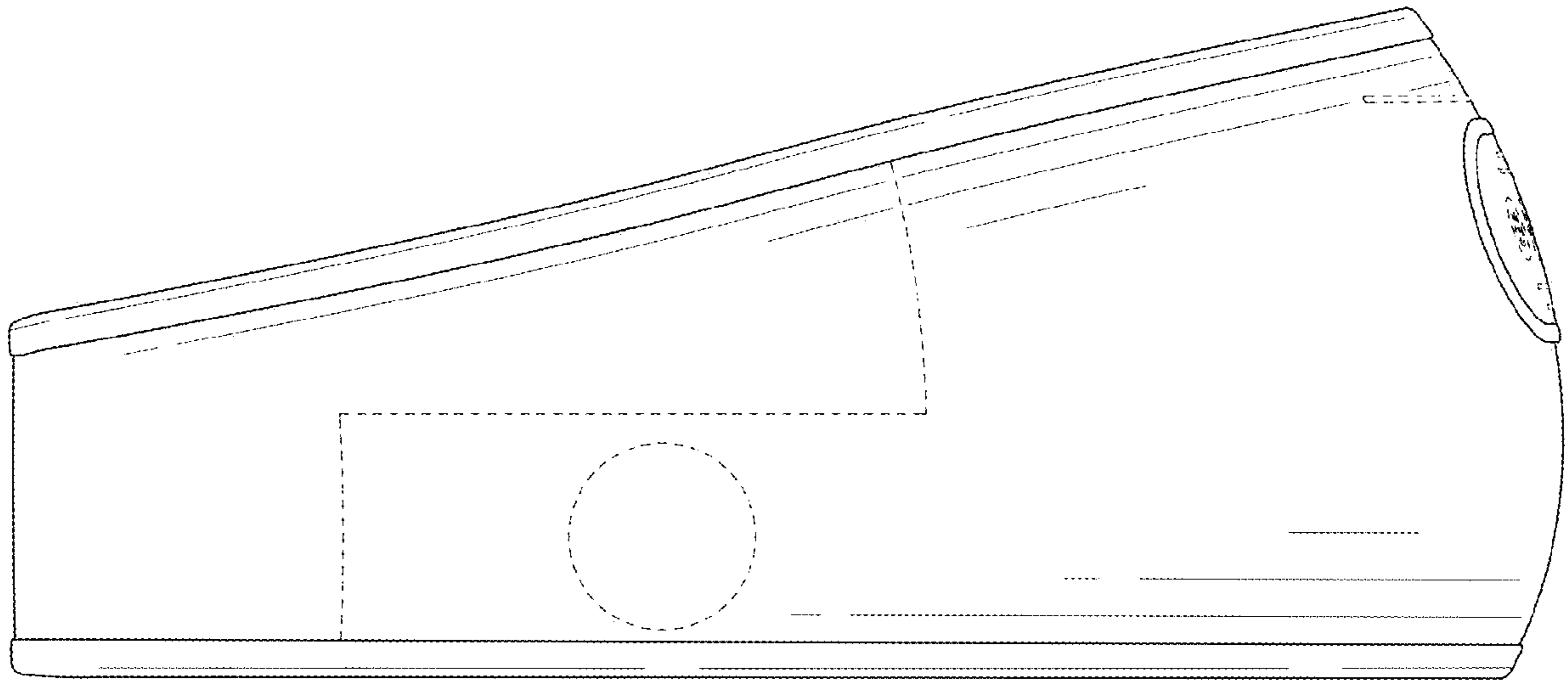


FIG. 5

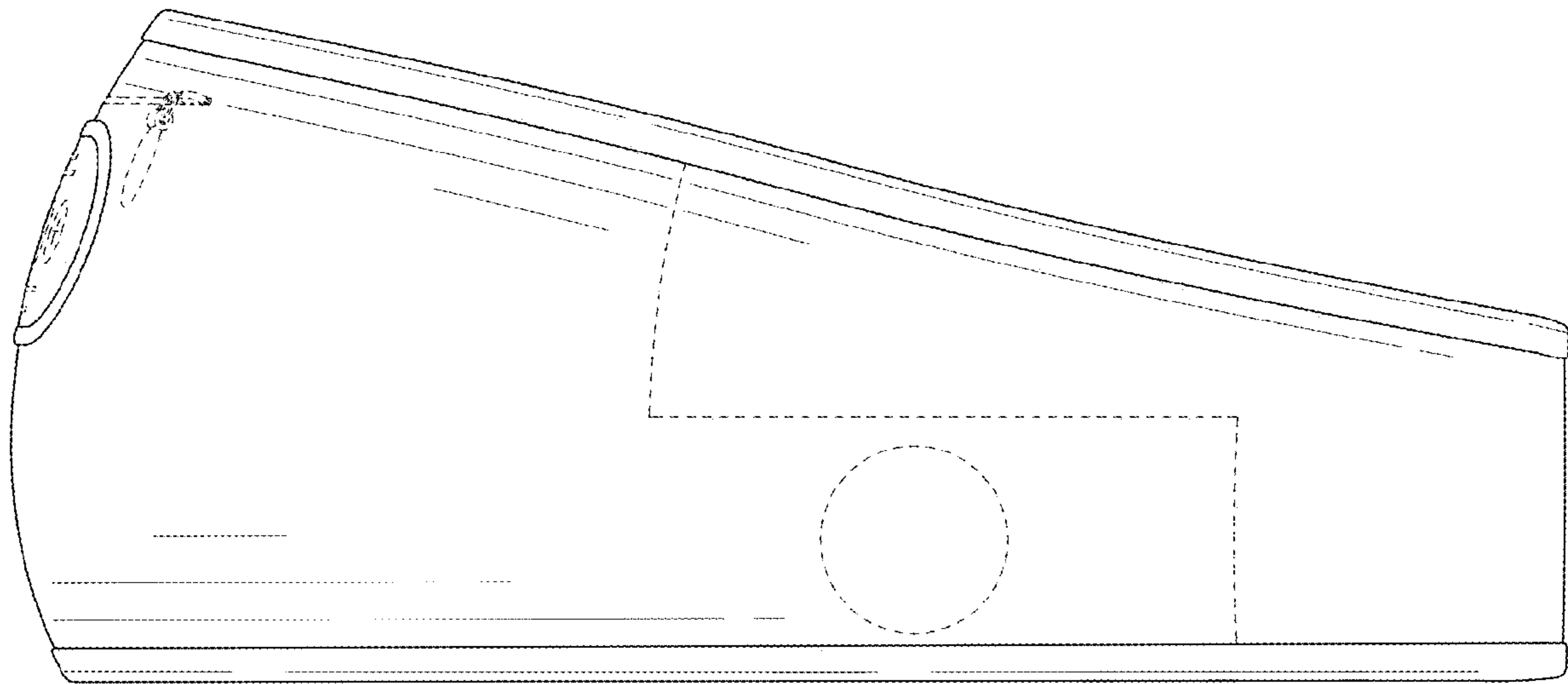


FIG. 6

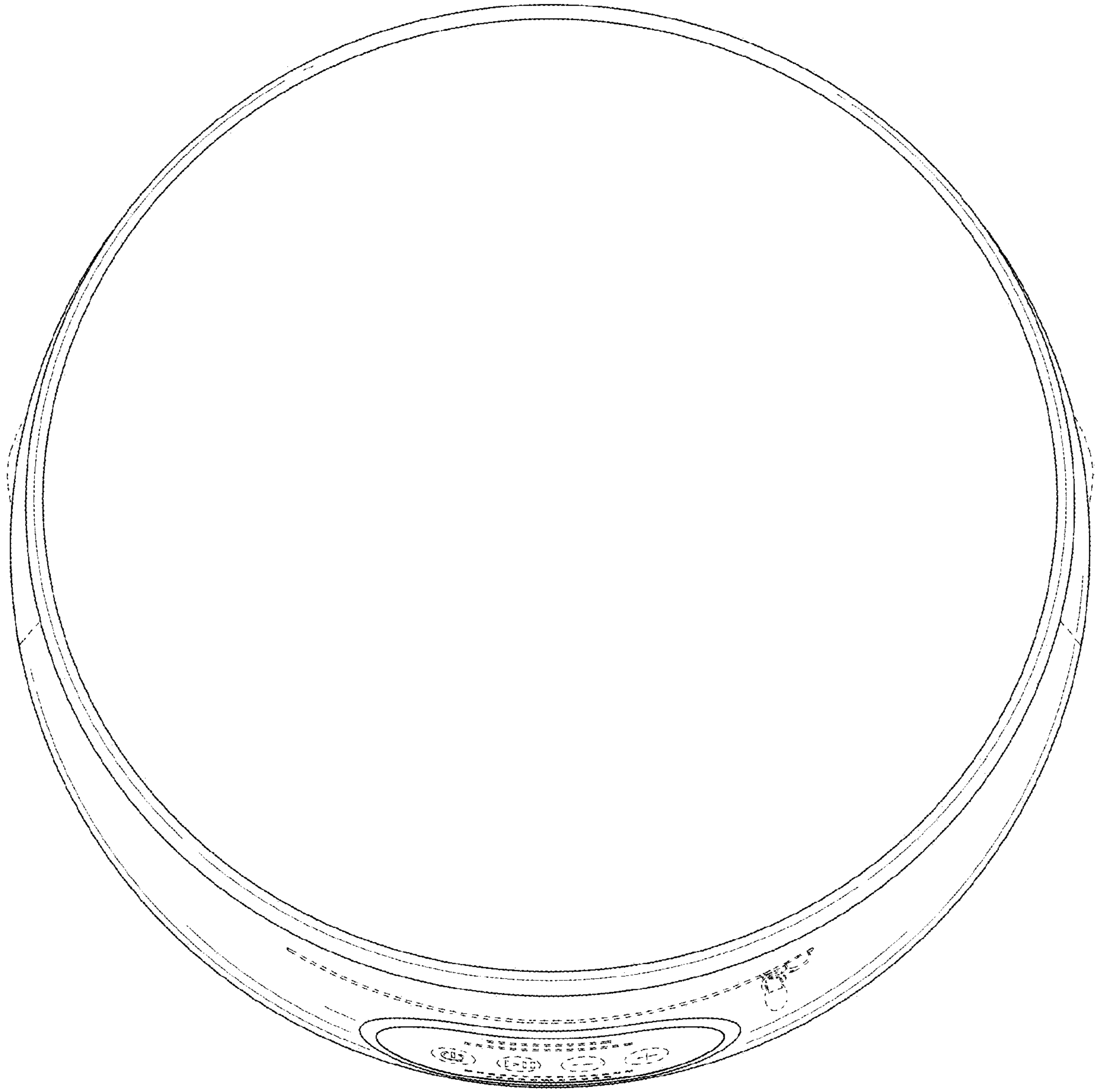


FIG. 7



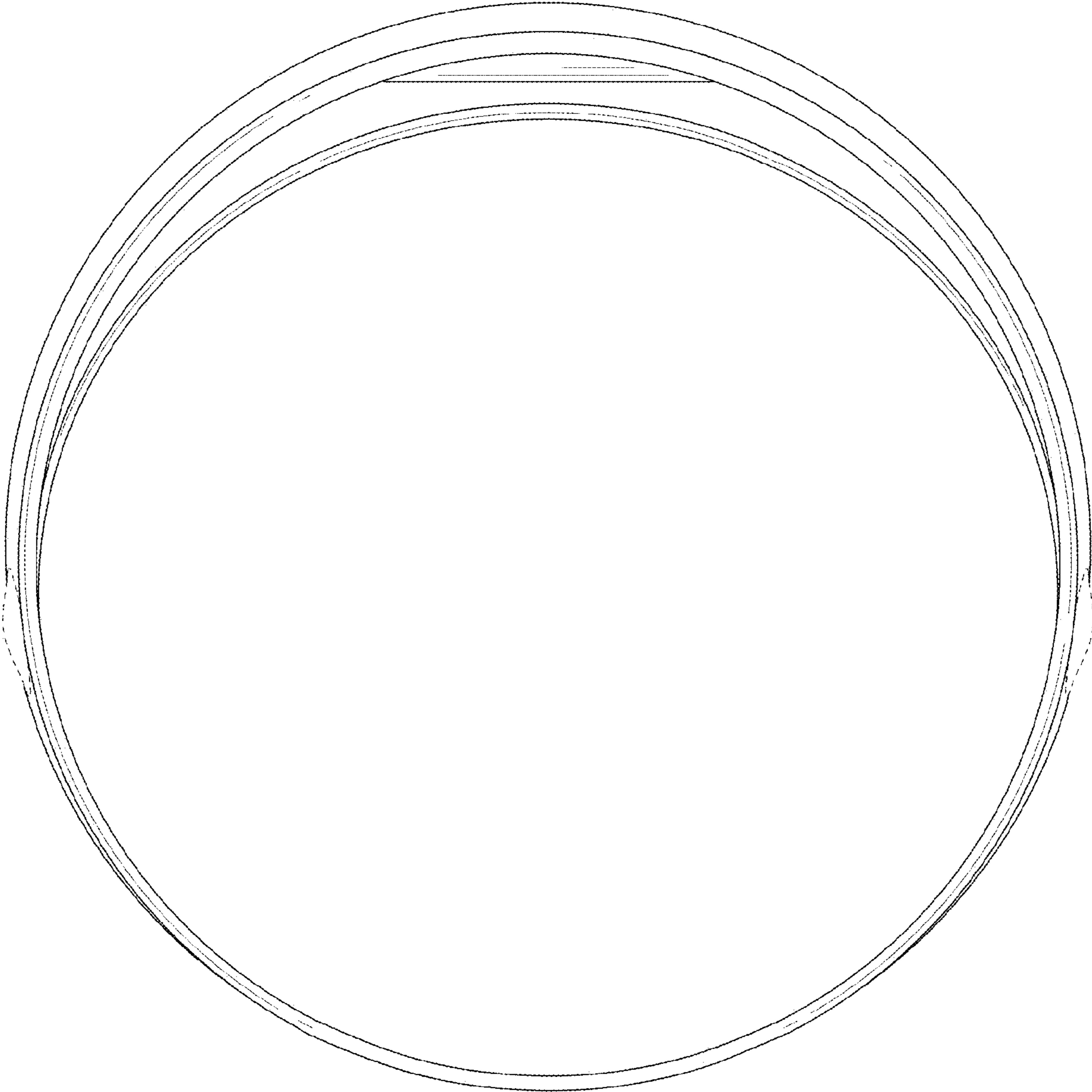


FIG. 8