



US00D976233S

(12) **United States Design Patent** (10) **Patent No.:** **US D976,233 S**
Chen (45) **Date of Patent:** **** Jan. 24, 2023**

(54) **SPEAKER**

(71) Applicant: **SHENZHEN JUNJIAHAO TECHNOLOGY CO., LTD**, Shenzhen (CN)

(72) Inventor: **Shuting Chen**, Shenzhen (CN)

(73) Assignee: **SHENZHEN JUNJIAHAO TECHNOLOGY CO., LTD**, Shenzhen (CN)

(**) Term: **15 Years**

(21) Appl. No.: **29/741,285**

(22) Filed: **Jul. 10, 2020**

(51) **LOC (14) Cl.** **14-01**

(52) **U.S. Cl.**
USPC **D14/207**

(58) **Field of Classification Search**
USPC D14/204, 207, 210–216, 172, 209.1, D14/203.2, 189, 712; D21/315, 356, 707, D21/709, 712, 713, 722, 780; D9/668, D9/683.5, 738, 763
CPC H04R 1/00; H04R 1/02; H04R 2400/00; H04R 1/345; H05K 5/00; H04B 7/26; A63B 43/00; A63B 24/00; A63B 71/06; H04N 5/64; H04L 29/08; G11B 17/04; H04S 7/00

See application file for complete search history.

(56) **References Cited**

U.S. PATENT DOCUMENTS

D676,828 S *	2/2013	Clark	D14/207
10,596,420 B1 *	3/2020	Zigouras	A63B 43/002 473/570
D888,011 S *	6/2020	Saideh	D14/207
2013/0176401 A1 *	7/2013	Monari	H04N 13/20 348/47
2017/0189768 A1 *	7/2017	Dingle	H04B 7/26 473/452

* cited by examiner

Primary Examiner — Khawaja Anwar

Assistant Examiner — Megan Tiana Rakos

(74) *Attorney, Agent, or Firm* — NZ Carr Law Office

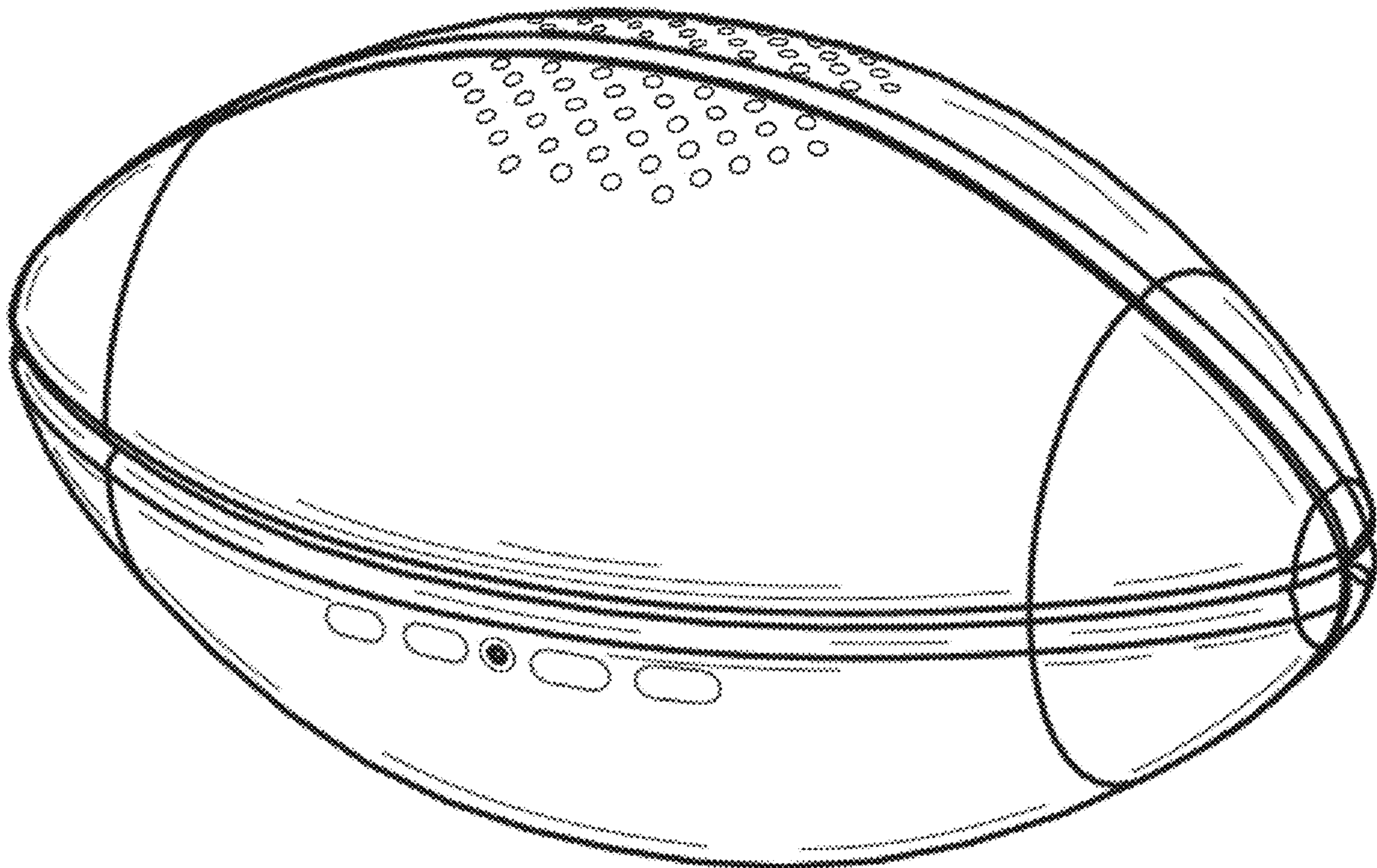
(57) **CLAIM**

The ornamental design for a speaker, as shown and described.

DESCRIPTION

FIG. 1 is a perspective view of a speaker showing my design;
FIG. 2 is a front view thereof;
FIG. 3 is a back view thereof;
FIG. 4 is a left side view thereof;
FIG. 5 is a right side view thereof;
FIG. 6 is a top view thereof; and,
FIG. 7 is a bottom view thereof.

1 Claim, 7 Drawing Sheets



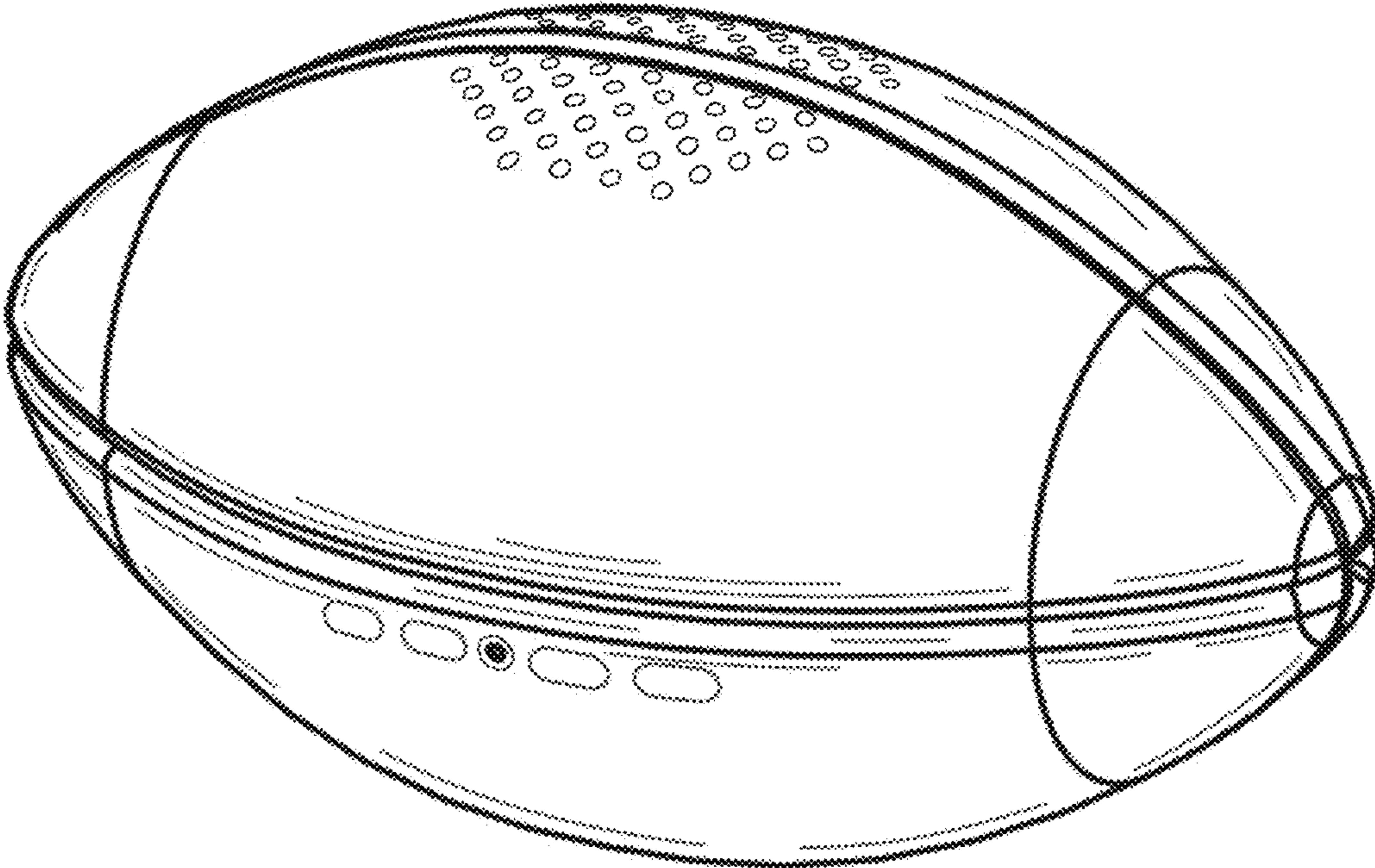


Fig. 1

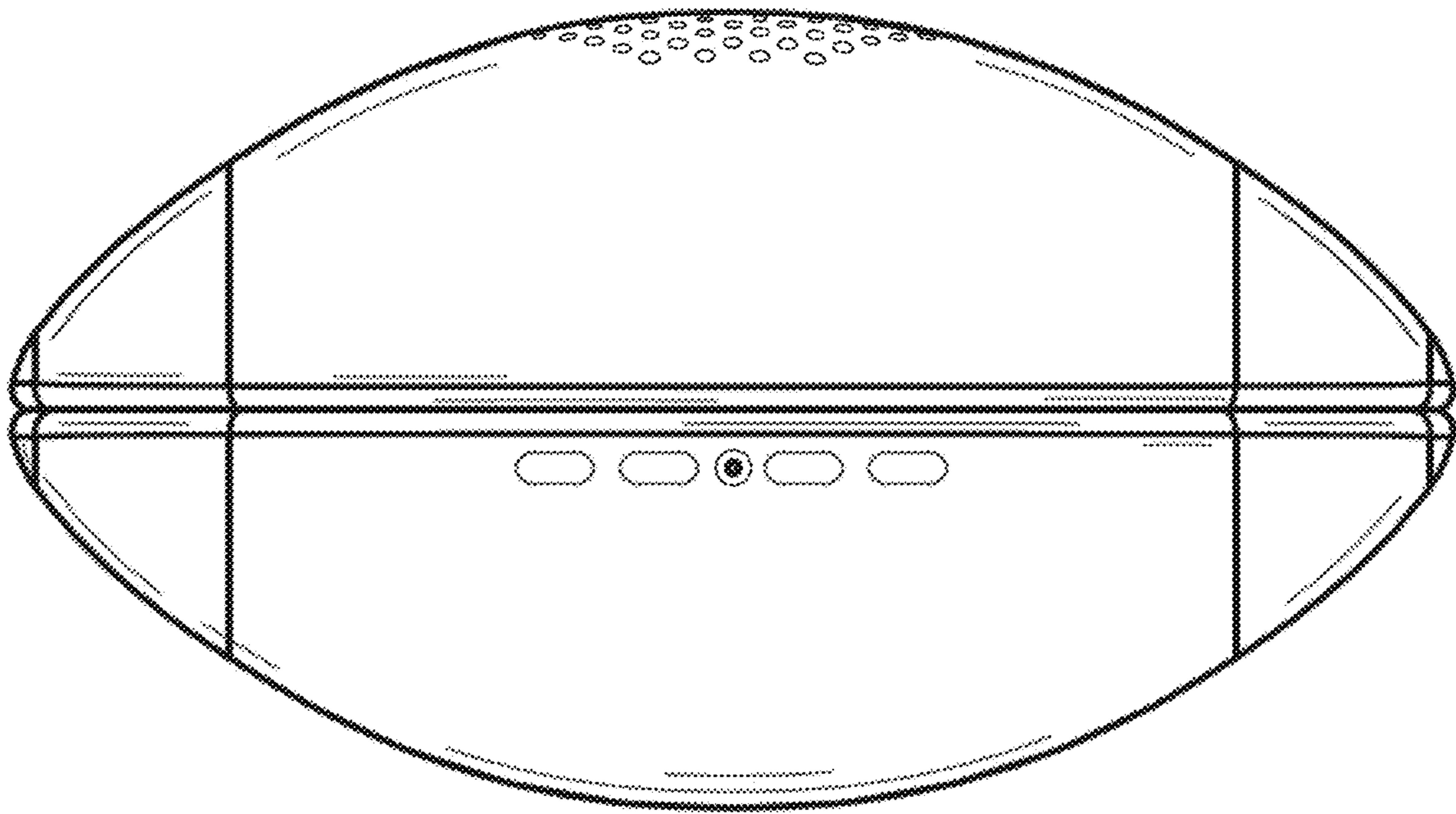


Fig. 2

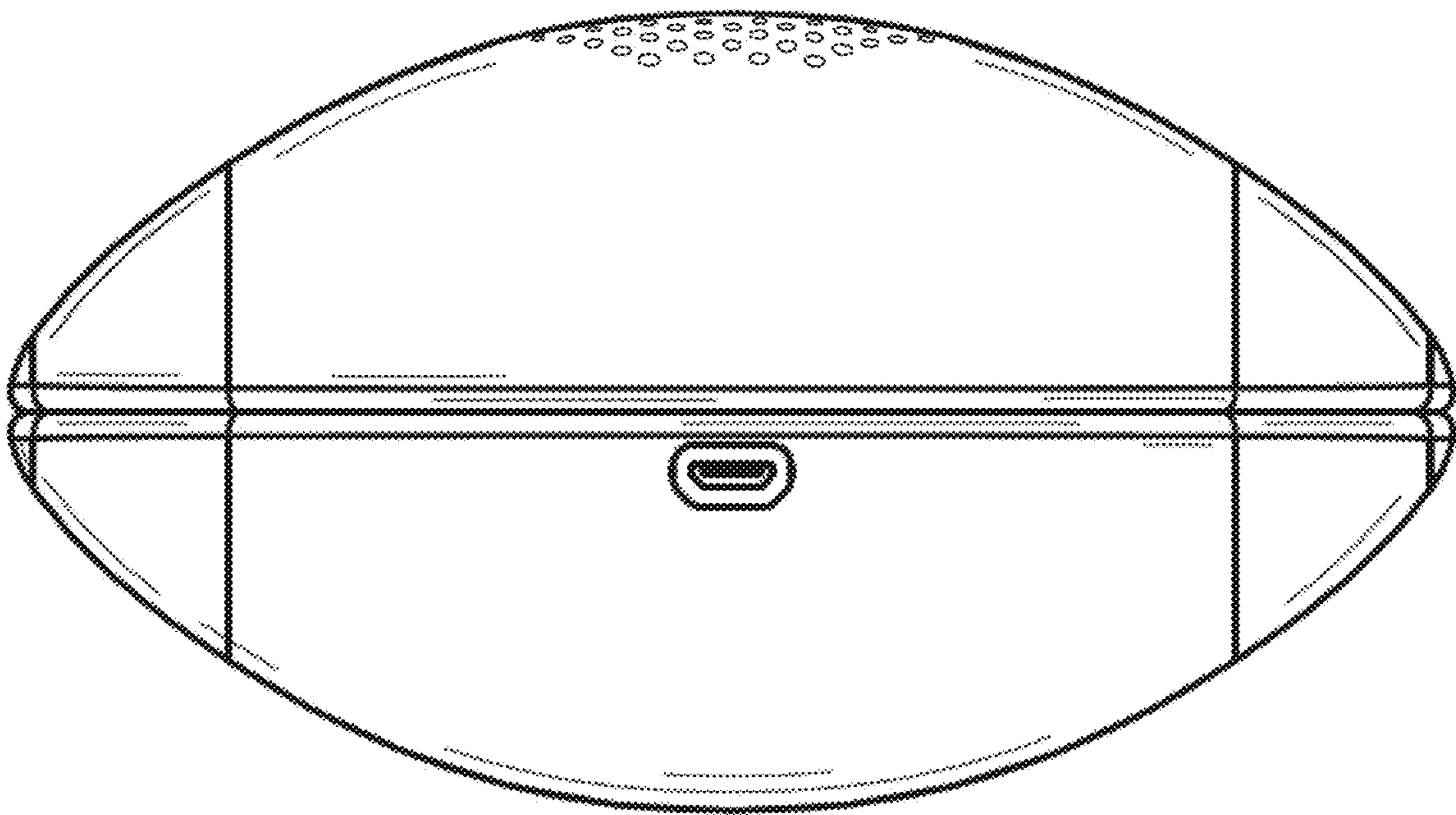


Fig. 3

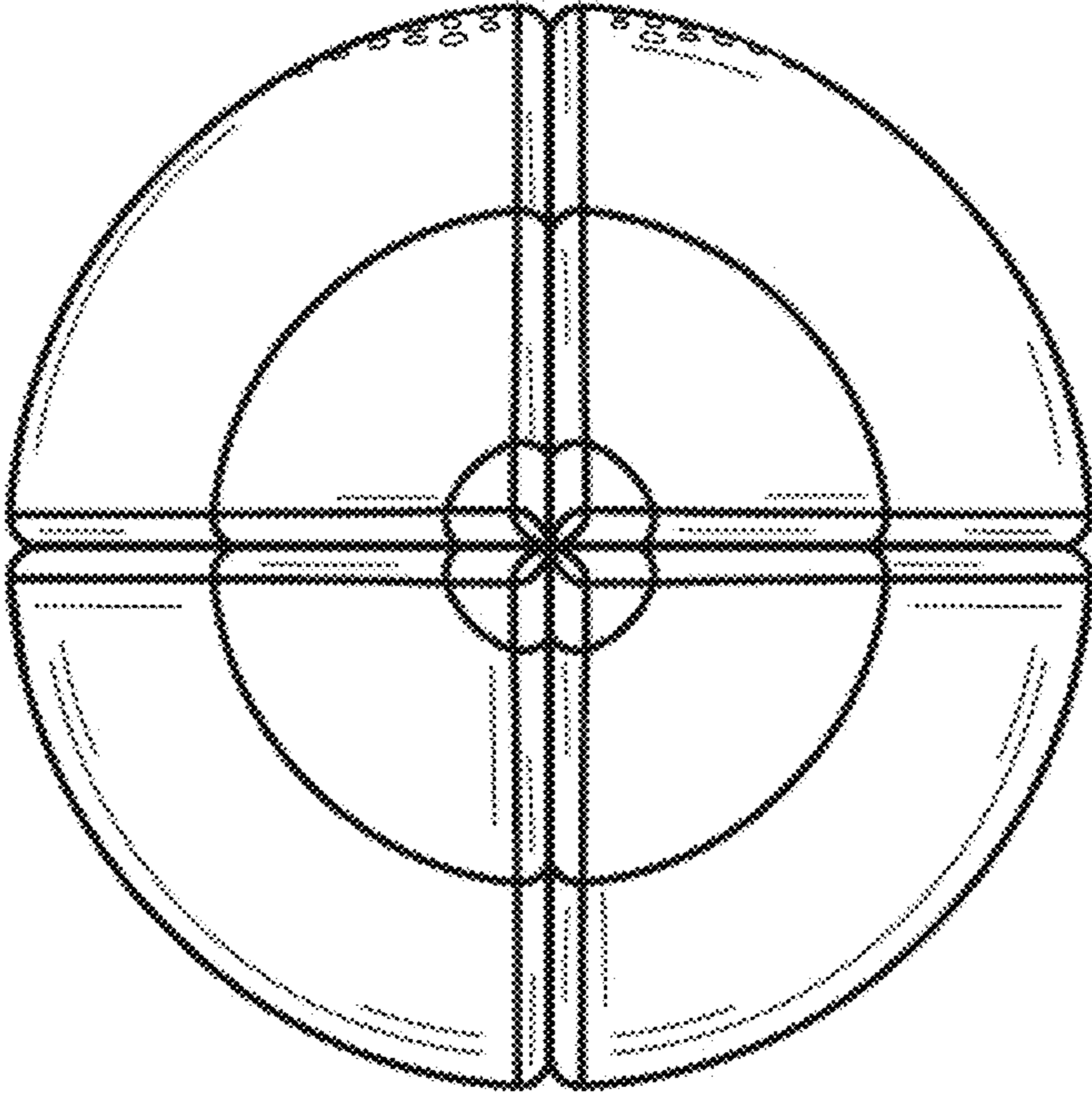


Fig. 4

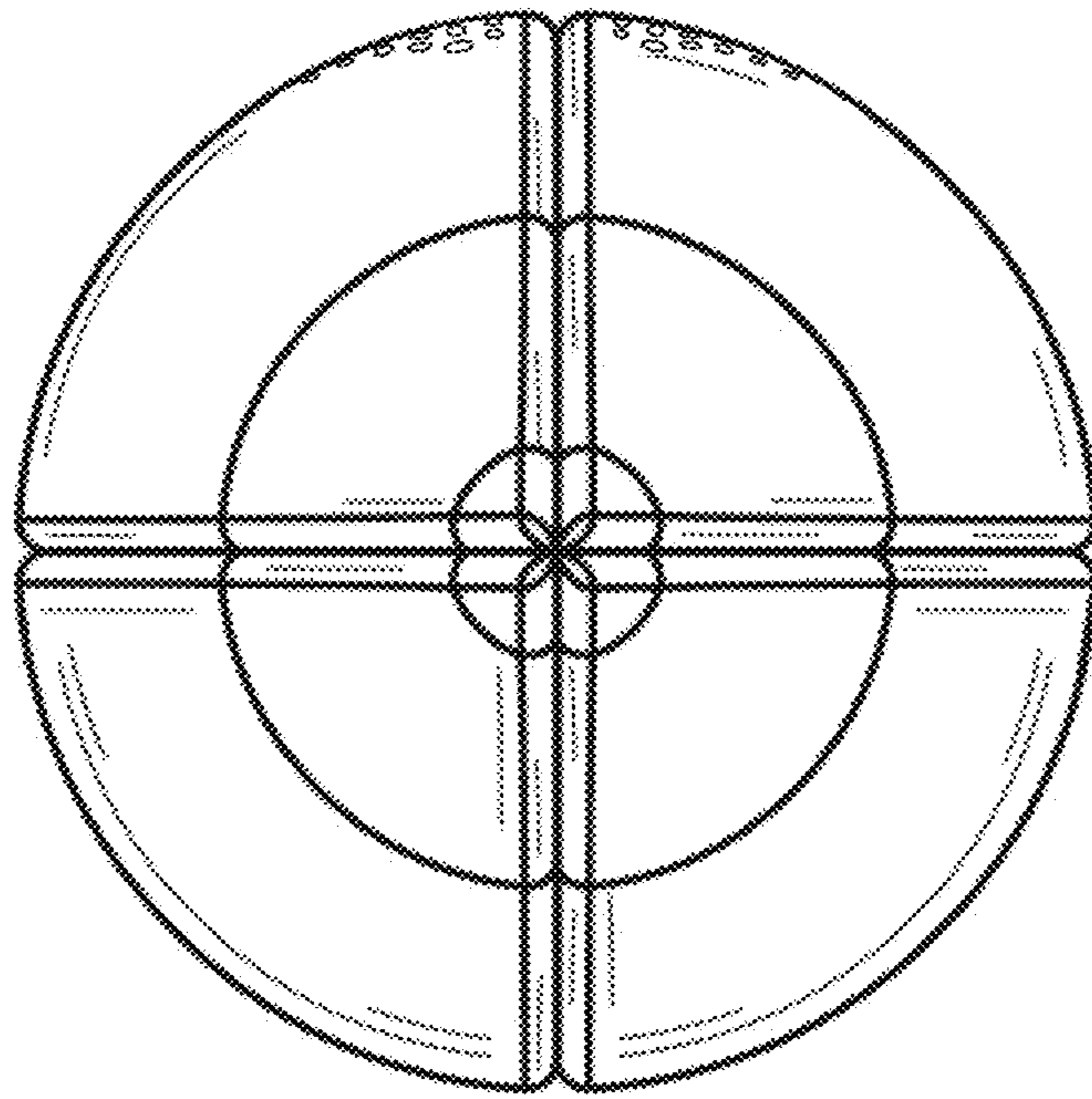


Fig. 5

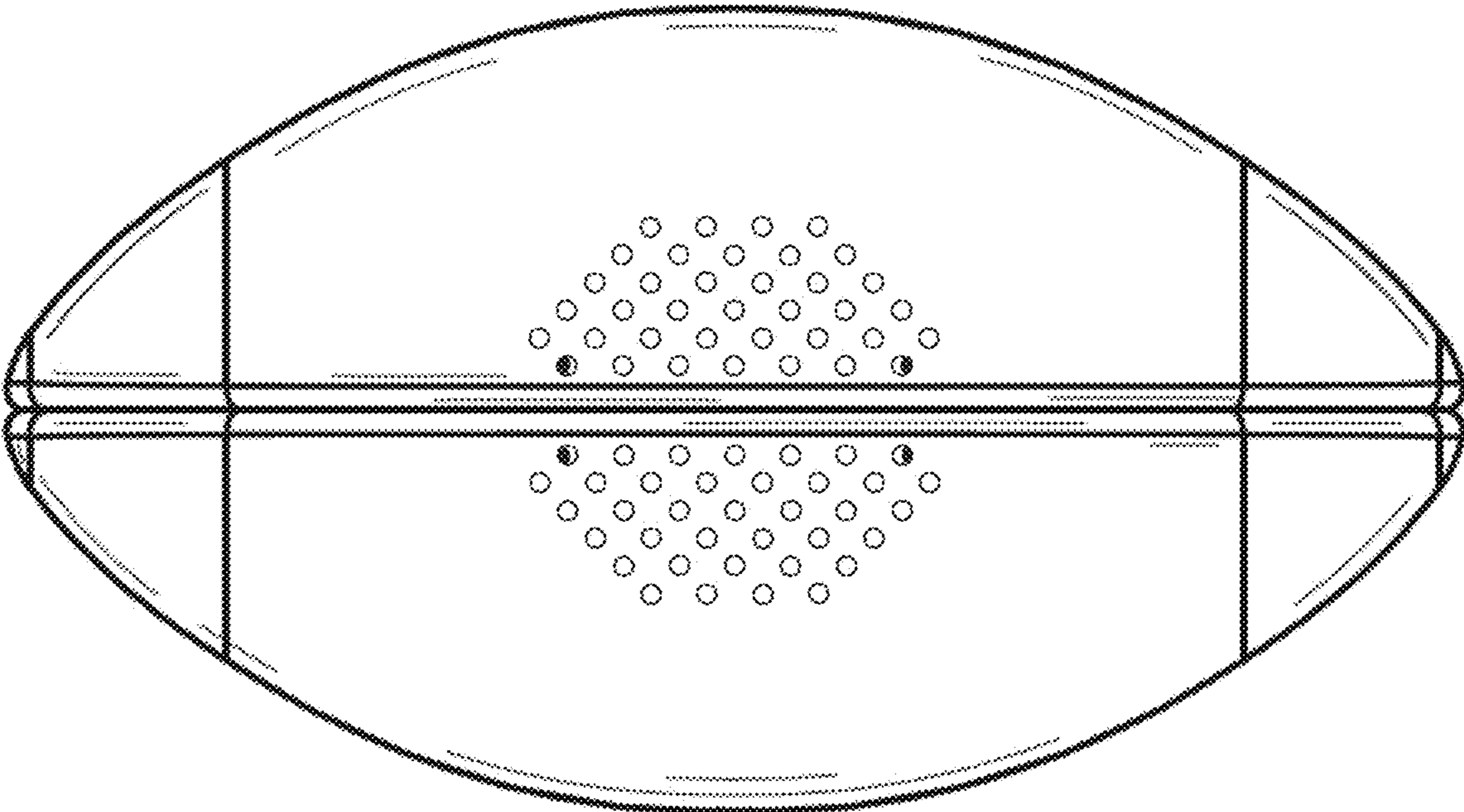


Fig. 6

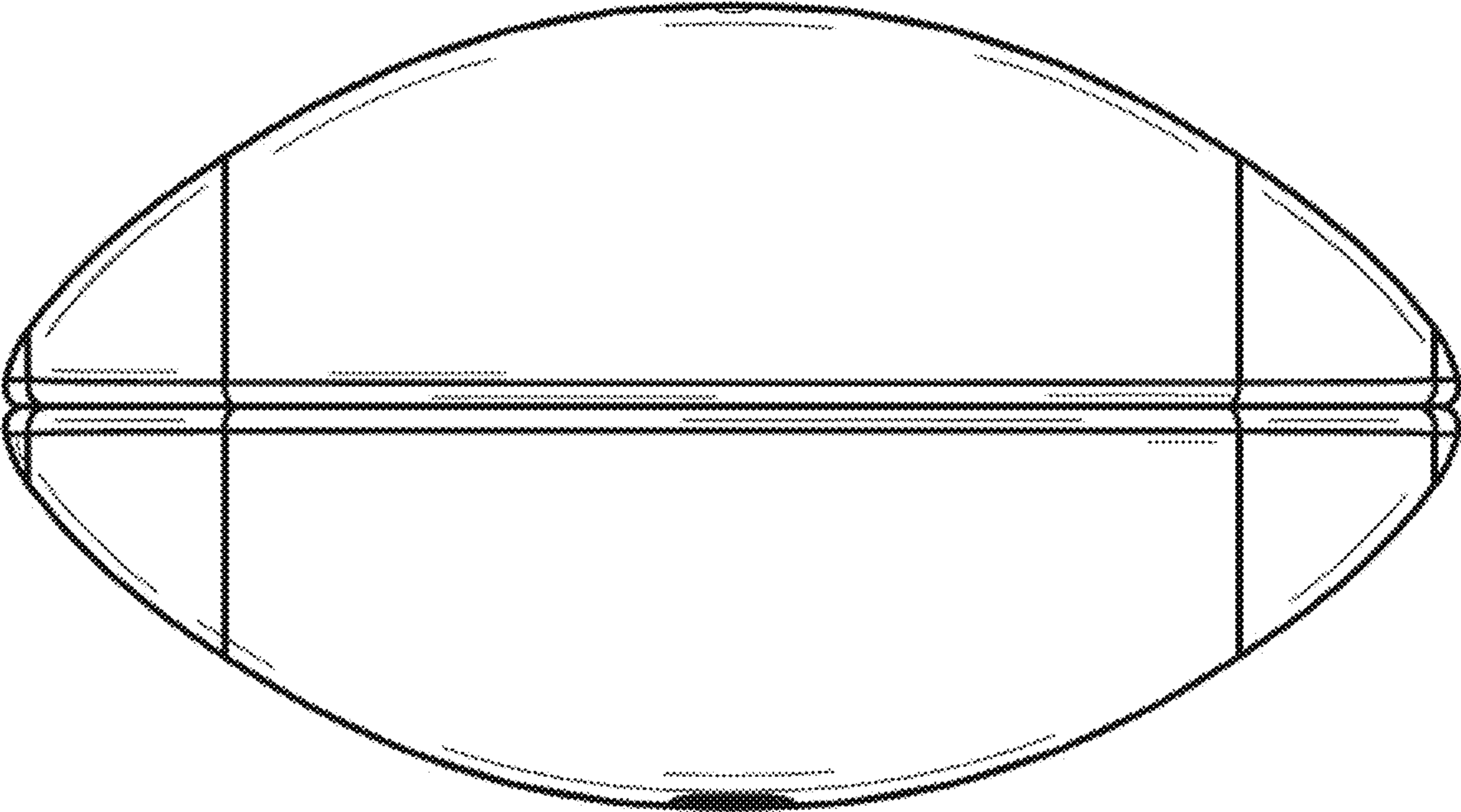


Fig. 7