



US00D976231S

(12) **United States Design Patent**
Zhou

(10) **Patent No.:** **US D976,231 S**
(45) **Date of Patent:** **** Jan. 24, 2023**

(54) **HEADSET**

(71) Applicant: **Shenzhen aierji Communication Co., Ltd.**, Shenzhen (CN)

(72) Inventor: **Hong Zhou**, Neijiang (CN)

(73) Assignee: **Shenzhen aierji Communication Co., Ltd.**, Shenzhen (CN)

(**) Term: **15 Years**

(21) Appl. No.: **29/772,525**

(22) Filed: **Mar. 2, 2021**

(51) **LOC (14) Cl.** **14-01**

(52) **U.S. Cl.**
USPC **D14/206; D14/226**

(58) **Field of Classification Search**
USPC D14/206, 226, 188, 192, 218; D29/112;
2/209; 362/105, 86; 381/380-381, 374
CPC H04R 25/00; H04R 1/1066; H04R 1/1016;
H04R 5/033; H04R 5/0335; H04R
1/1058; H04R 1/1008; H04R 19/04;
H04R 11/06; F21V 33/0056
See application file for complete search history.

(56) **References Cited**

U.S. PATENT DOCUMENTS

4,754,484	A	*	6/1988	Larkin	H04M 1/05 381/384
6,122,369	A	*	9/2000	Hwang	H04M 1/6058 379/430
D458,248	S	*	6/2002	Davies	D14/206
D458,597	S	*	6/2002	Davies	D14/206
6,560,346	B2	*	5/2003	Ohta	H04R 1/083 381/370
D541,255	S	*	4/2007	Taylor	D14/205
D578,508	S	*	10/2008	Wang	D14/206
D585,871	S	*	2/2009	Lee	D14/205
D593,995	S	*	6/2009	Shimizu	D14/205
D671,505	S	*	11/2012	Clark	D13/168

D685,750	S	*	7/2013	Nakagawa	D13/168
D726,831	S	*	4/2015	Lee	D14/218
D728,528	S	*	5/2015	Akana	D14/218
D743,381	S	*	11/2015	Pi	D14/218

(Continued)

FOREIGN PATENT DOCUMENTS

CN	307463929	*	7/2022
GB	6214075	*	6/2022

Primary Examiner — Paula Allen Greene

(74) *Attorney, Agent, or Firm* — ScienBiziP, P.C.

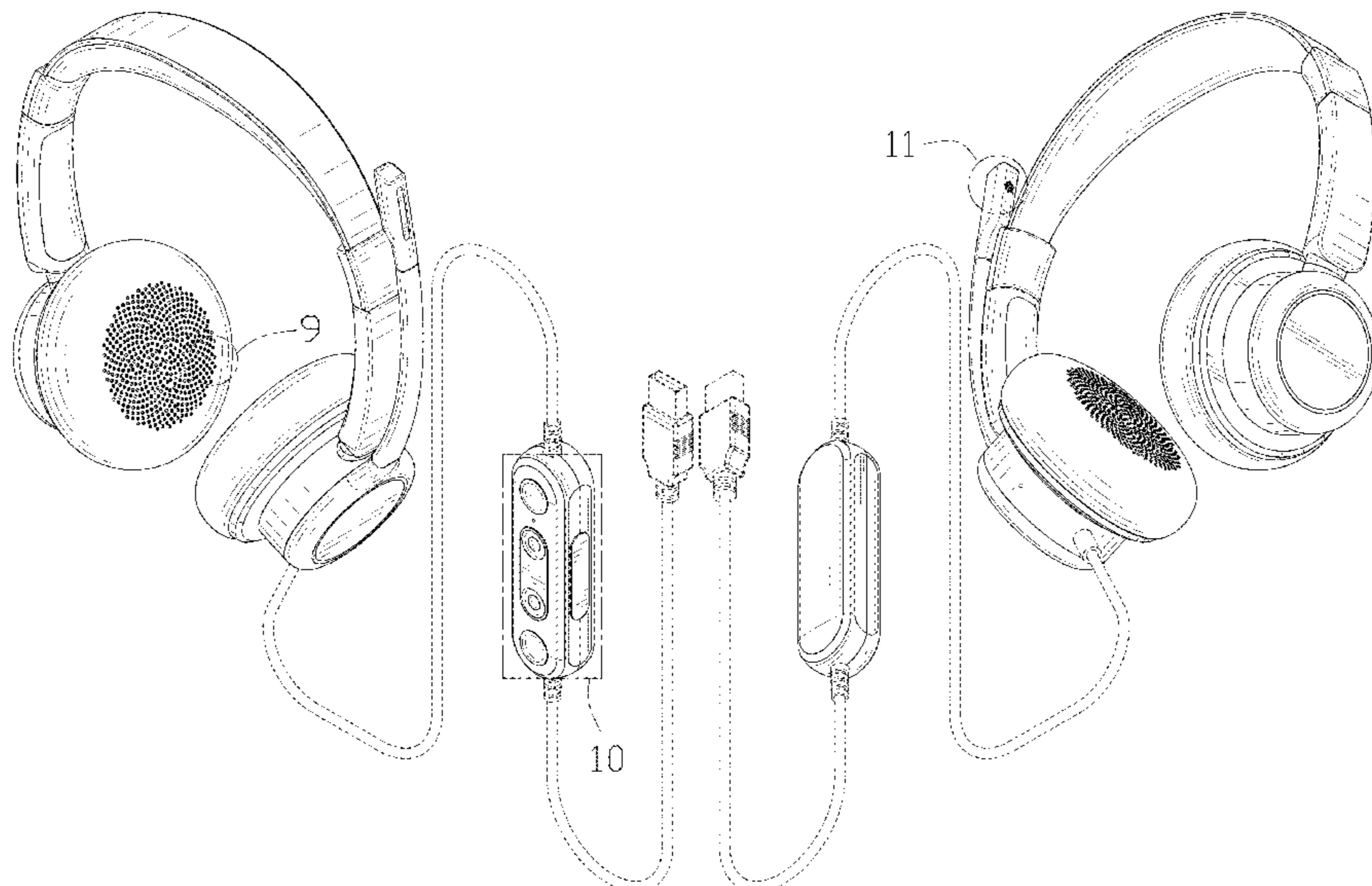
(57) **CLAIM**

The ornamental design for a headset, as shown and described.

DESCRIPTION

FIG. 1 is a front, right, and top perspective view of a headset, showing my design.
 FIG. 2 is a rear, left, and bottom perspective view thereof.
 FIG. 3 is a front elevation view thereof.
 FIG. 4 is a rear elevation view thereof.
 FIG. 5 is a left side elevation view thereof.
 FIG. 6 is a right side elevation view thereof.
 FIG. 7 is a top plan view thereof.
 FIG. 8 is a bottom plan view thereof.
 FIG. 9 is a partial enlarged view of an area labeled 9 in FIG. 1 comprising a loudspeaker.
 FIG. 10 is a partial enlarged view of an area labeled 10 in FIG. 1 comprising a regulator; and,
 FIG. 11 is a partial enlarged view of an area labeled 11 in FIG. 2 comprising a microphone.
 The broken lines shown in the drawings are included for the purpose of illustrating portions of the headset that form no part of the claimed design.
 The dot-dash broken lines encircling portions of the headset in FIGS. 1 and 2 and illustrated in enlarged views in FIGS. 9, 10, and 11 form no part of the claimed design.

1 Claim, 11 Drawing Sheets



US D976,231 S

(56)

References Cited

U.S. PATENT DOCUMENTS

D784,287 S *	4/2017	Murray	D14/496	D888,008 S *	6/2020	Yook	D14/205
9,706,281 B2 *	7/2017	Hernandez Vazquez		D895,570 S *	9/2020	Choi	D14/205
			F16M 13/04		D910,580 S *	2/2021	Zhu	D13/168
D796,484 S *	9/2017	Chen	D14/218	D917,421 S *	4/2021	Zheng	D14/206
D826,937 S *	8/2018	Rüegg	D14/218	D920,954 S *	6/2021	Tong	D14/207
10,344,963 B1 *	7/2019	Mobed	H04R 1/028	D922,350 S *	6/2021	Pedersen	D14/206
D856,303 S *	8/2019	Ando	D14/205	D927,458 S *	8/2021	Su	D14/206
D857,652 S *	8/2019	Wang	D14/205	D928,749 S *	8/2021	Jiang	D14/226
D857,662 S *	8/2019	Warsawski	D14/218	D935,440 S *	11/2021	Liu	D14/206
D864,157 S *	10/2019	Hu	D14/206	D940,685 S *	1/2022	He	D14/206
D864,898 S *	10/2019	Chen	D14/205	D950,520 S *	5/2022	Yan	D14/206
D866,509 S *	11/2019	Lindof	D14/206	D951,907 S *	5/2022	Bellham	D14/206
D866,510 S *	11/2019	Lindof	D14/206	D951,909 S *	5/2022	He	D14/206
D866,513 S *	11/2019	Lindof	D14/206	D956,013 S *	6/2022	Bellham	D14/206
D866,514 S *	11/2019	Lindof	D14/206	D961,548 S *	8/2022	Yang	D14/206
D870,069 S *	12/2019	Hu	D14/206	D961,549 S *	8/2022	Wang	D14/216
D875,073 S *	2/2020	Pedersen	D14/206	2006/0062417 A1 *	3/2006	Tachikawa	H04R 1/1066 381/370
D879,066 S *	3/2020	Chen	D14/205	2010/0067714 A1 *	3/2010	Cheng	H04R 5/04 381/74
D887,374 S *	6/2020	Gong	D13/168	2021/0037317 A1 *	2/2021	Wahlin	H04R 5/0335
					2021/0329382 A1 *	10/2021	Colich	H04R 7/06

* cited by examiner

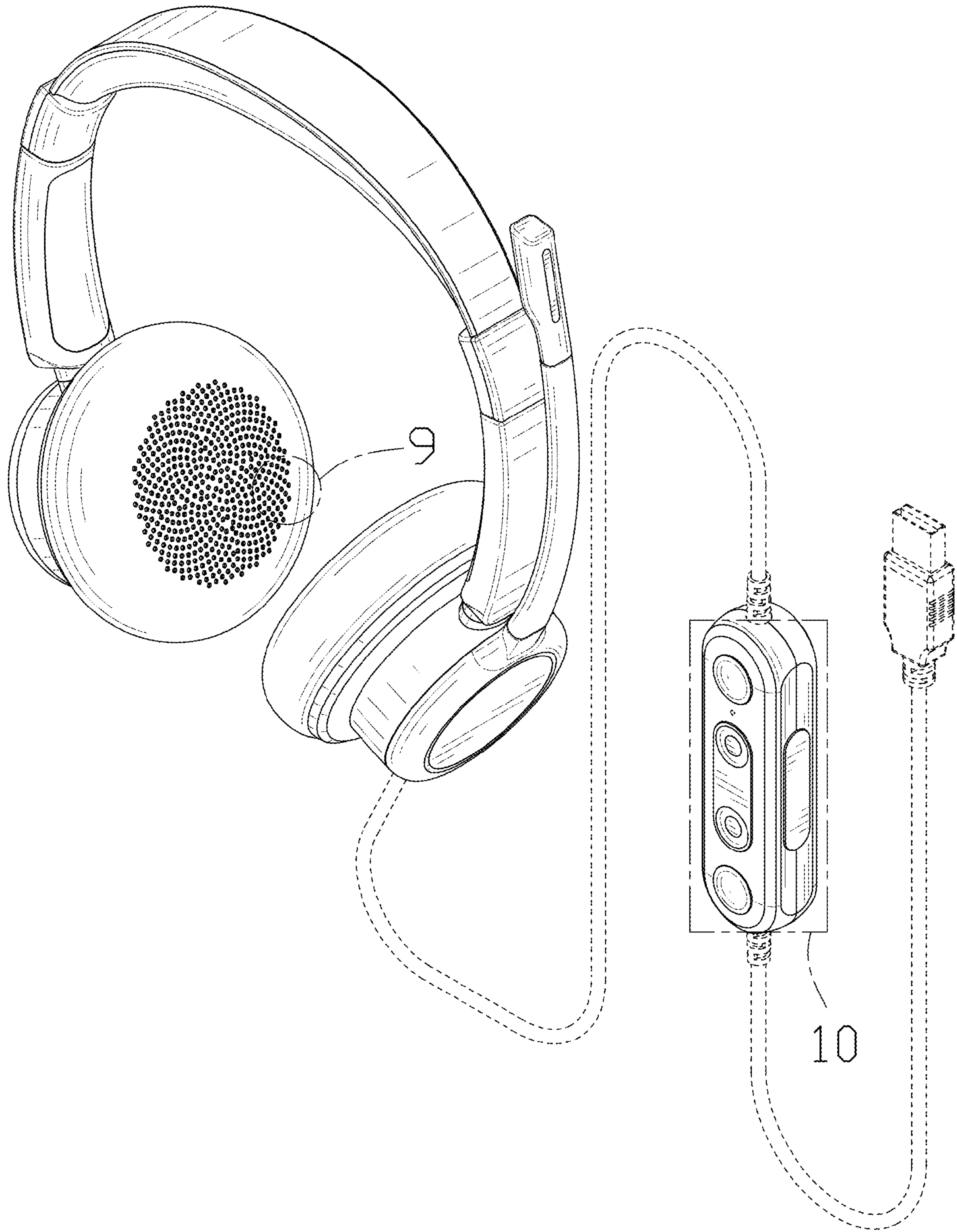


FIG. 1

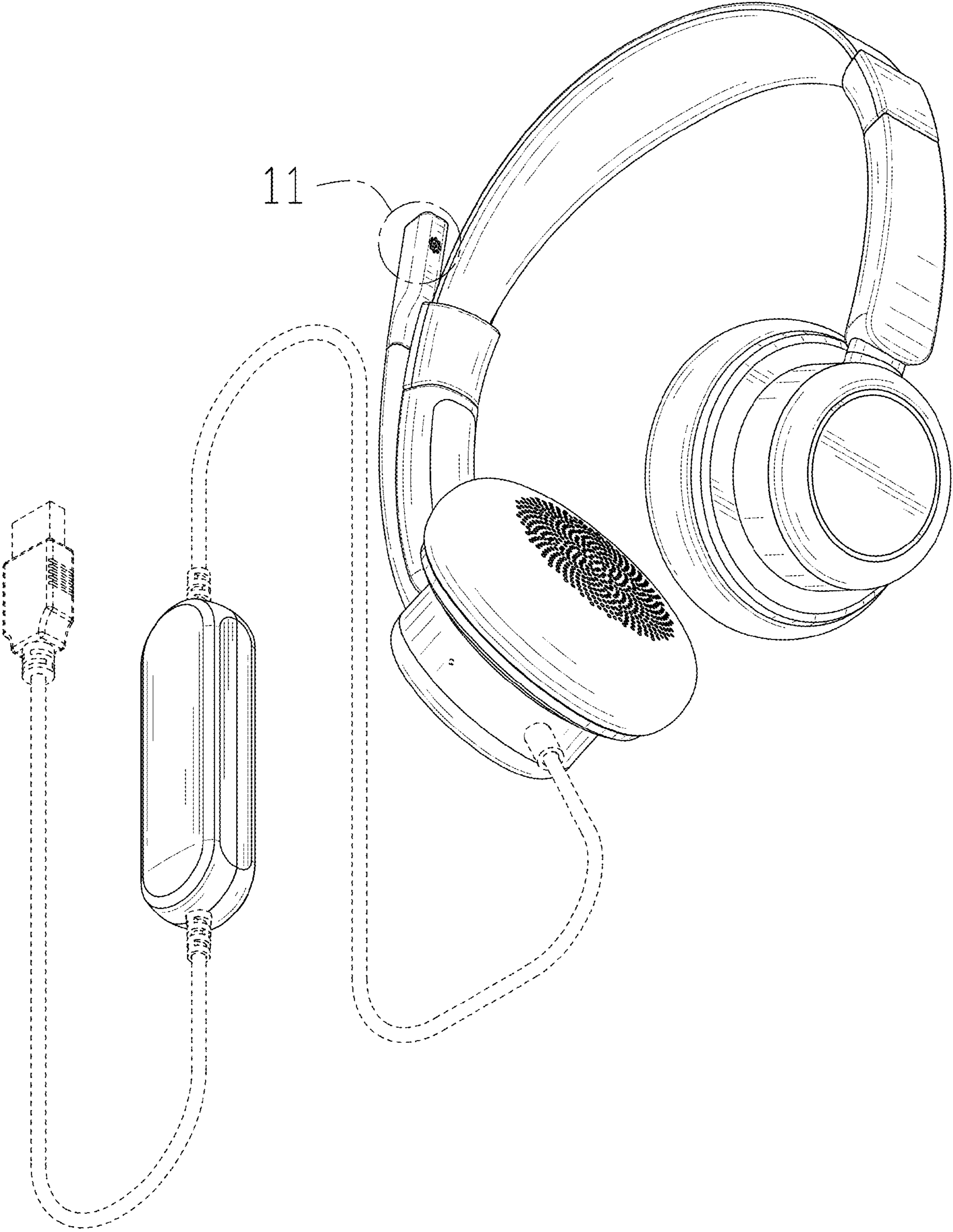


FIG. 2



FIG. 3

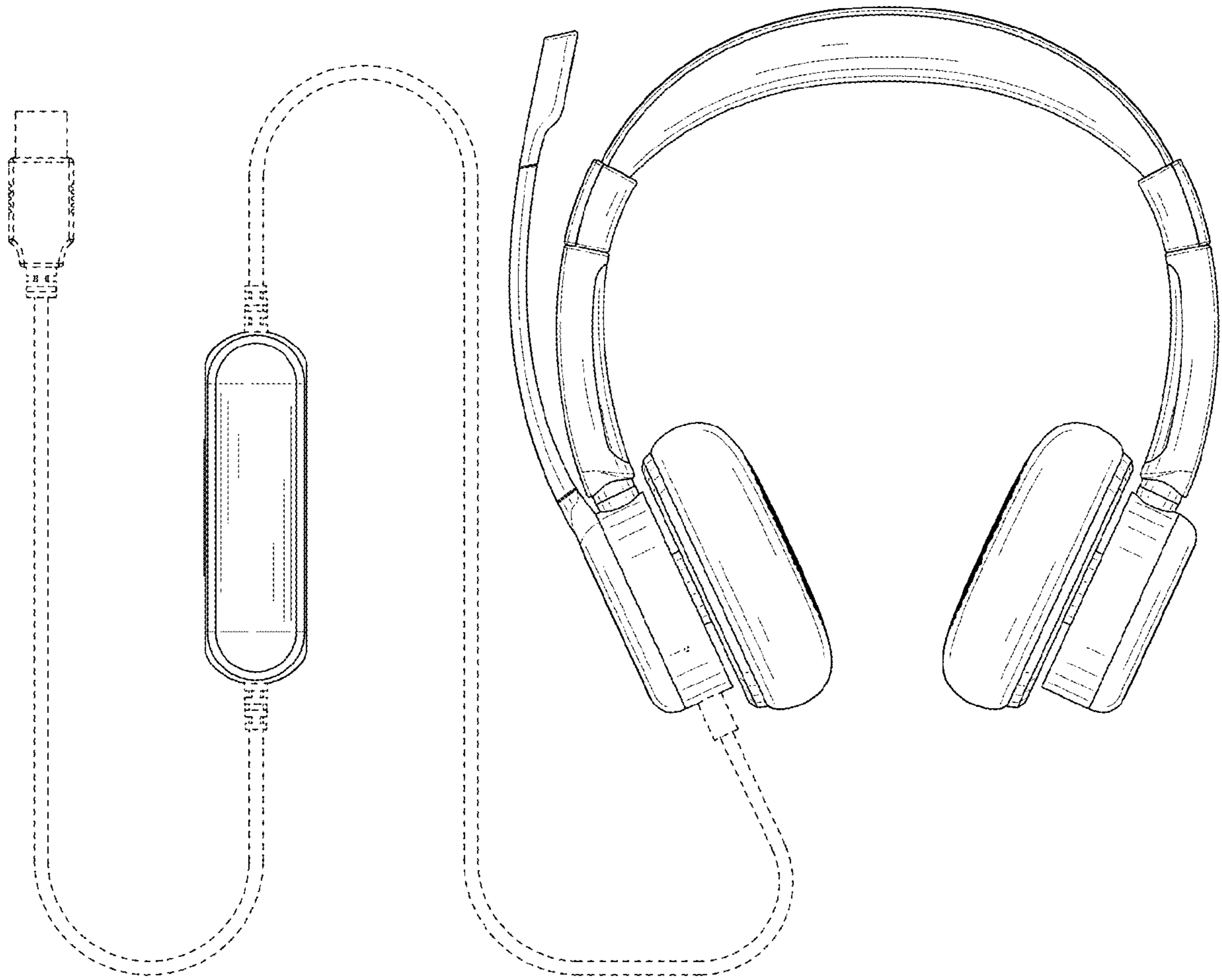


FIG. 4

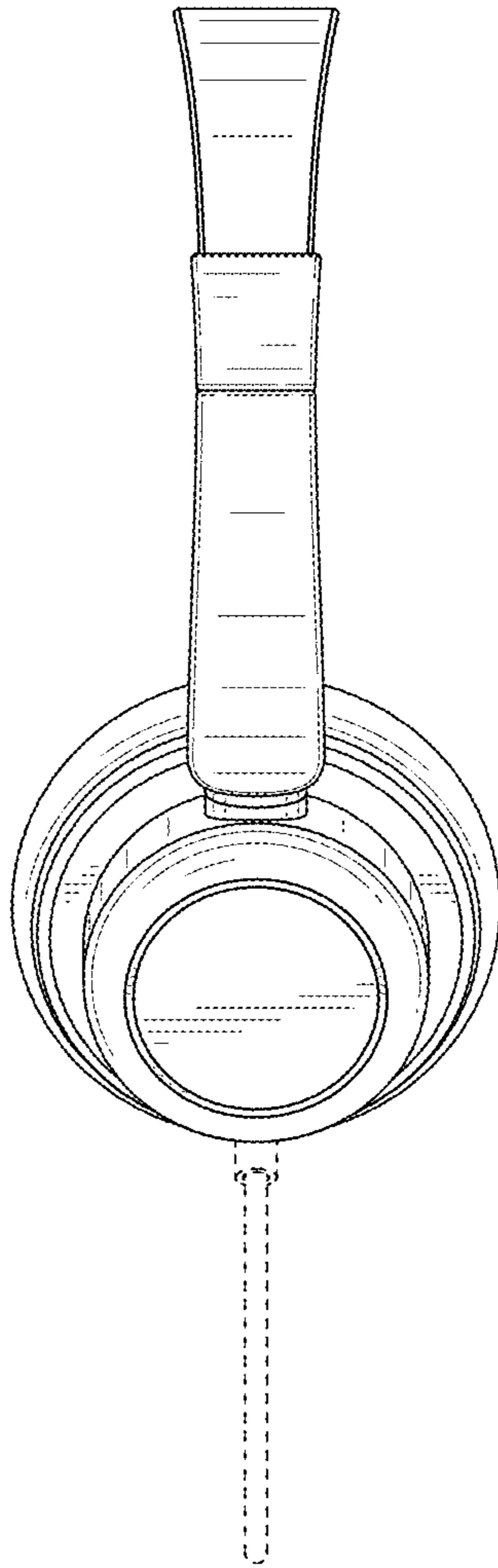


FIG. 5

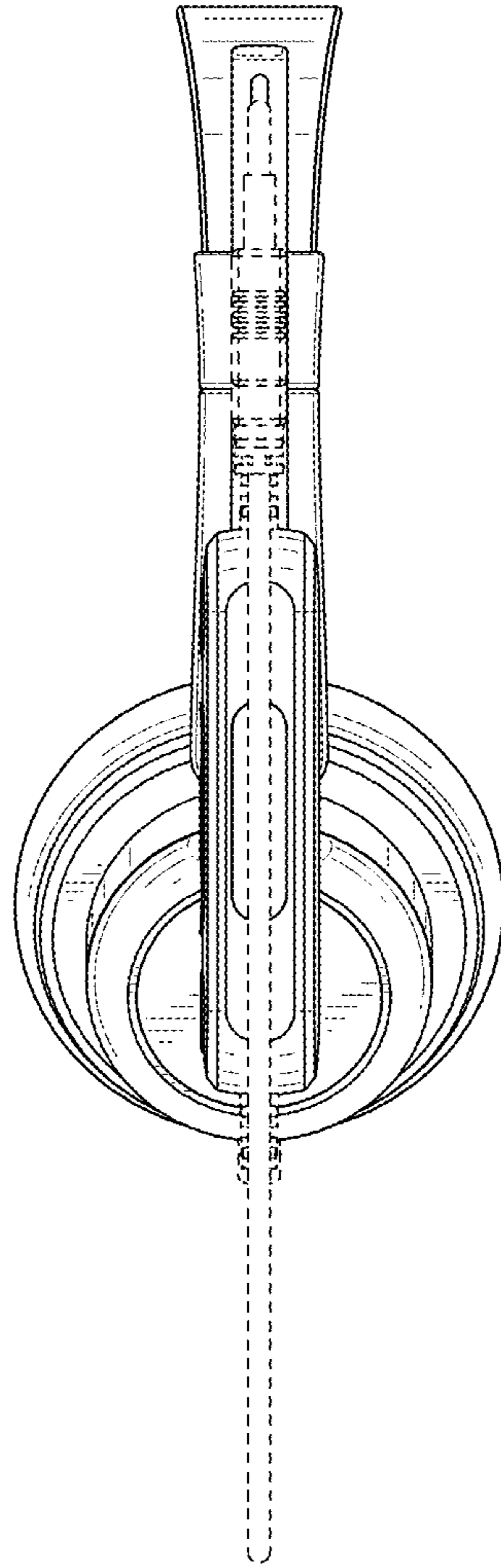


FIG. 6

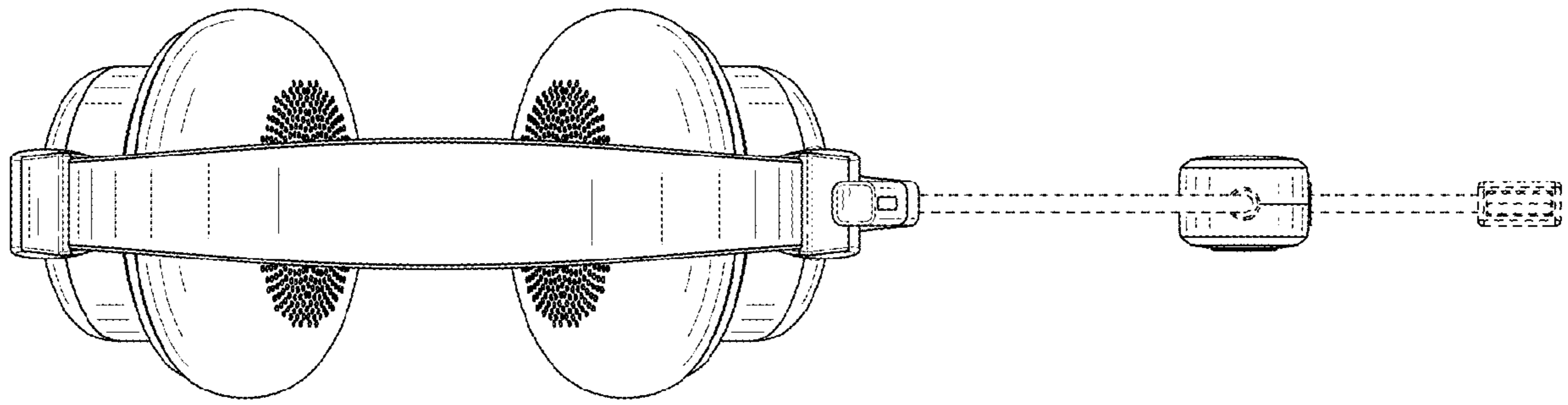


FIG. 7

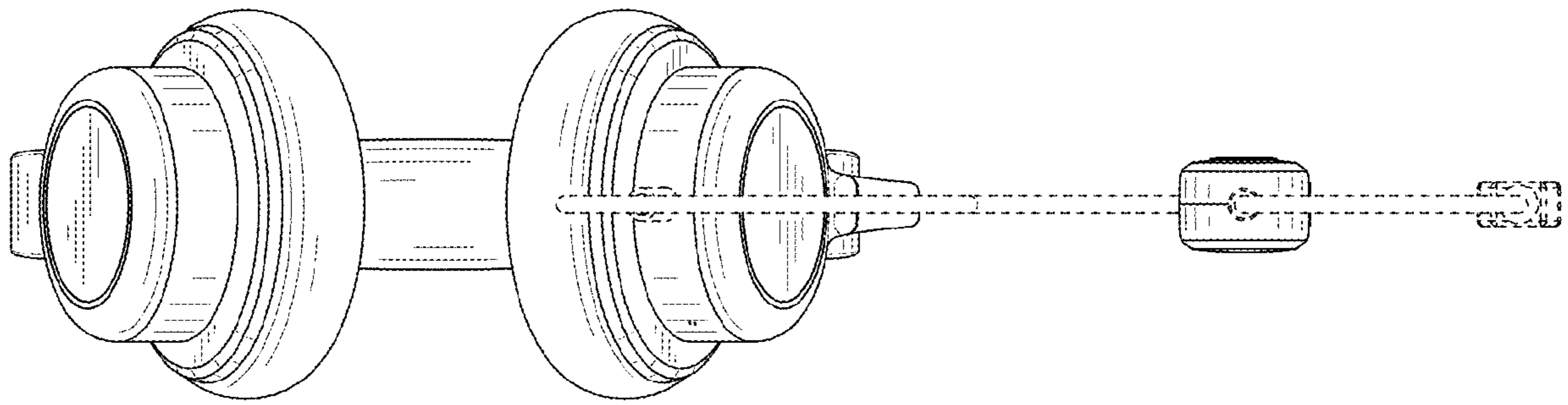


FIG. 8

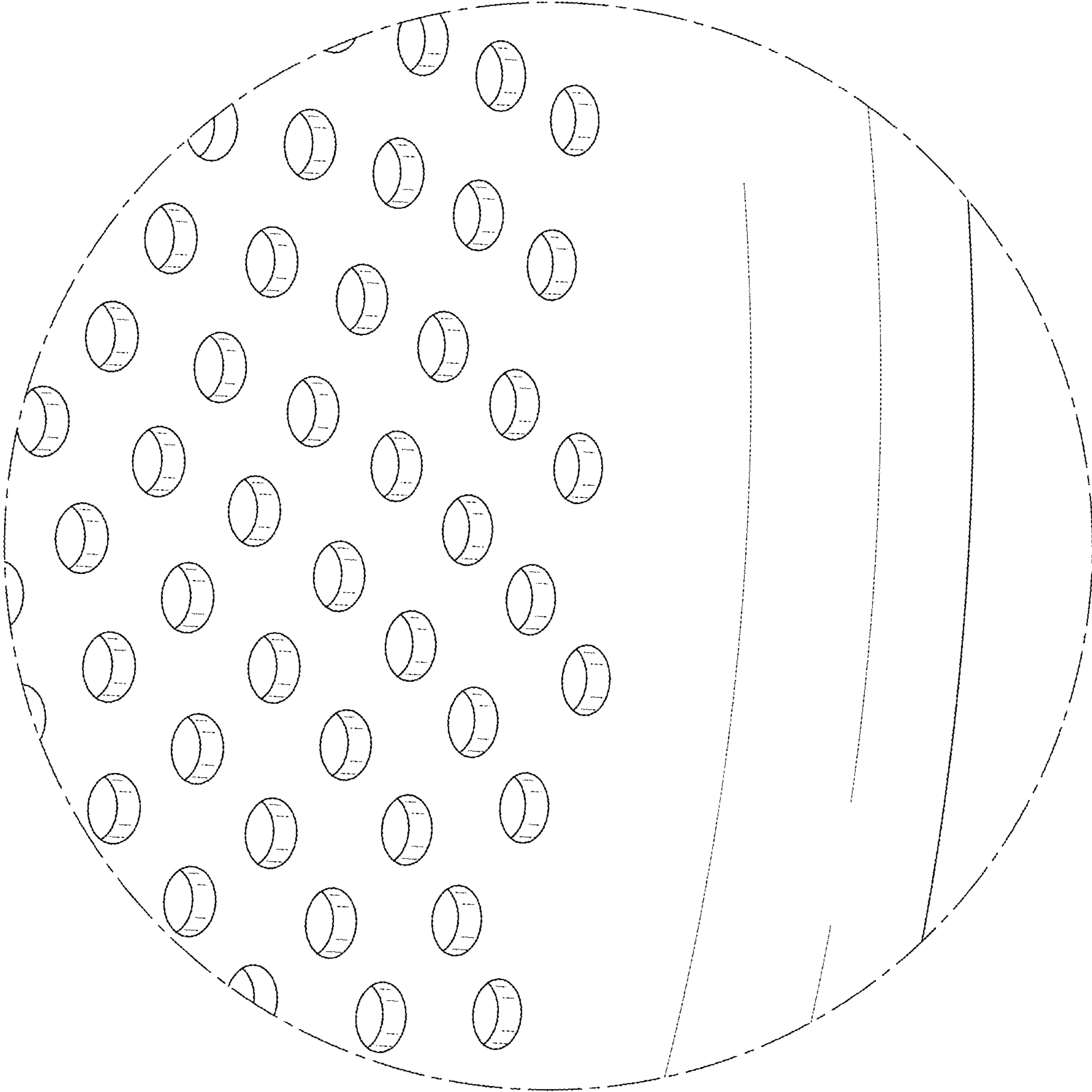


FIG. 9

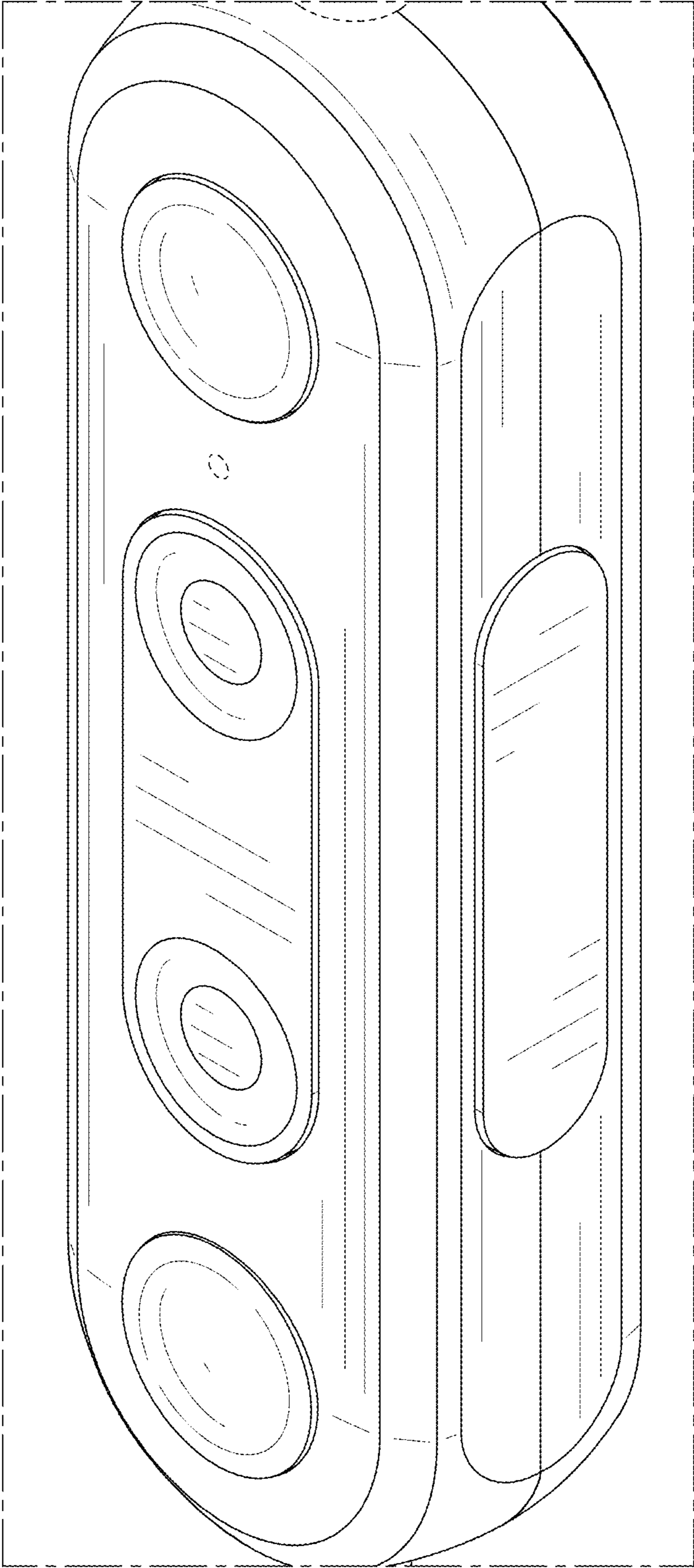


FIG. 10

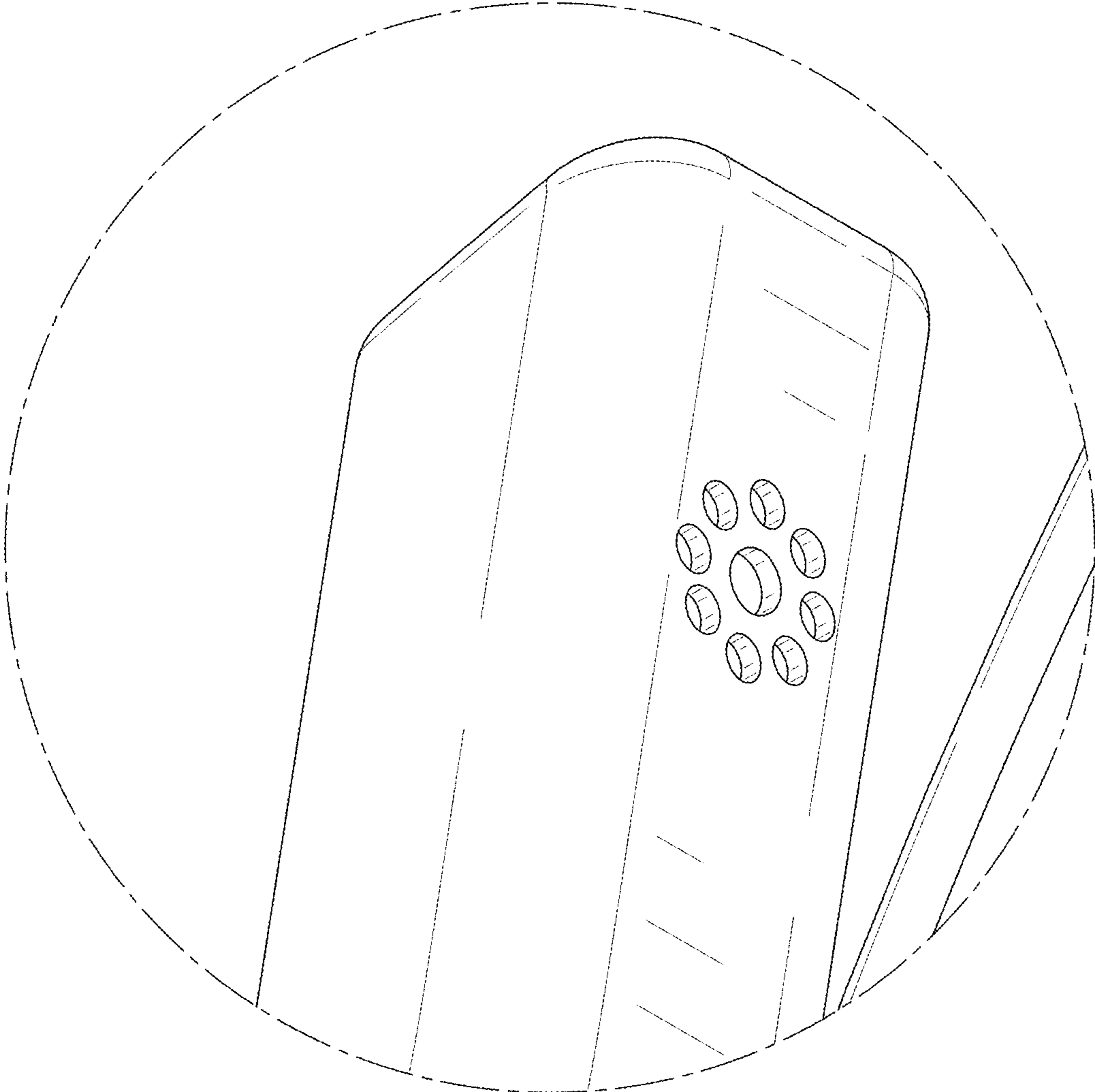


FIG. 11