



US00D976230S

(12) **United States Design Patent**  
**Chen et al.**

(10) **Patent No.:** **US D976,230 S**  
(45) **Date of Patent:** **\*\* Jan. 24, 2023**

(54) **HEAD-MOUNTED GAMING HEADSET**

(71) Applicant: **Shenzhen wei bo technology co., LTD,**  
Shenzhen (CN)

(72) Inventors: **Wei Chen,** Shenzhen (CN); **Jianghua**  
**Chen,** Shenzhen (CN)

(\*\*) Term: **15 Years**

(21) Appl. No.: **29/770,000**

(22) Filed: **Feb. 9, 2021**

(51) **LOC (14) Cl.** ..... **14-01**

(52) **U.S. Cl.**

USPC ..... **D14/206;** D14/226

(58) **Field of Classification Search**

USPC ..... D14/206, 226, 205, 372; D29/112;  
2/209; 381/380-381, 370, 374, 379, 362;  
362/105

CPC ..... F21V 33/0056; F21V 33/00; H04R 25/00;  
H04R 25/02; H04R 1/1066; H04R  
1/1016; H04R 5/033; H04R 5/0335;  
H04R 11/04; H04R 19/04; H04R 1/1091

See application file for complete search history.

(56) **References Cited**

**U.S. PATENT DOCUMENTS**

- 5,210,792 A \* 5/1993 Kajihara ..... H04M 1/05  
381/381
- D409,614 S \* 5/1999 Carlton ..... D14/205
- 5,960,094 A \* 9/1999 Jensen ..... H04R 1/1066  
381/381
- 6,101,260 A \* 8/2000 Jensen ..... H04R 1/1066  
381/381
- D447,472 S \* 9/2001 McGugan ..... D14/225
- D505,413 S \* 5/2005 Skulley ..... D14/223
- D517,528 S \* 3/2006 Skulley ..... D14/206
- D602,001 S \* 10/2009 Bentley ..... D14/206
- D603,372 S \* 11/2009 Bentley ..... D14/206
- D641,725 S \* 7/2011 Chong ..... D14/205

- D648,318 S \* 11/2011 Huang ..... D14/206
- D651,197 S \* 12/2011 Birger ..... D14/223
- D666,168 S \* 8/2012 Rath ..... D14/206
- D672,745 S \* 12/2012 Abed ..... D14/205
- D691,111 S \* 10/2013 Lee ..... D14/206
- 8,774,420 B2 \* 7/2014 Belafonte ..... H04R 1/2811  
381/74
- 8,861,767 B2 \* 10/2014 Lee ..... H04R 5/0335  
381/370
- 9,036,849 B2 \* 5/2015 Thompson ..... H04R 1/083  
381/370
- D791,734 S \* 7/2017 Ou ..... D14/206
- D808,359 S \* 1/2018 Meyer ..... D14/206

(Continued)

**FOREIGN PATENT DOCUMENTS**

- CN 306203573 \* 12/2020
- CN 306278857 \* 1/2021

(Continued)

*Primary Examiner* — Paula Allen Greene

(74) *Attorney, Agent, or Firm* — Rumit R. Kanakia

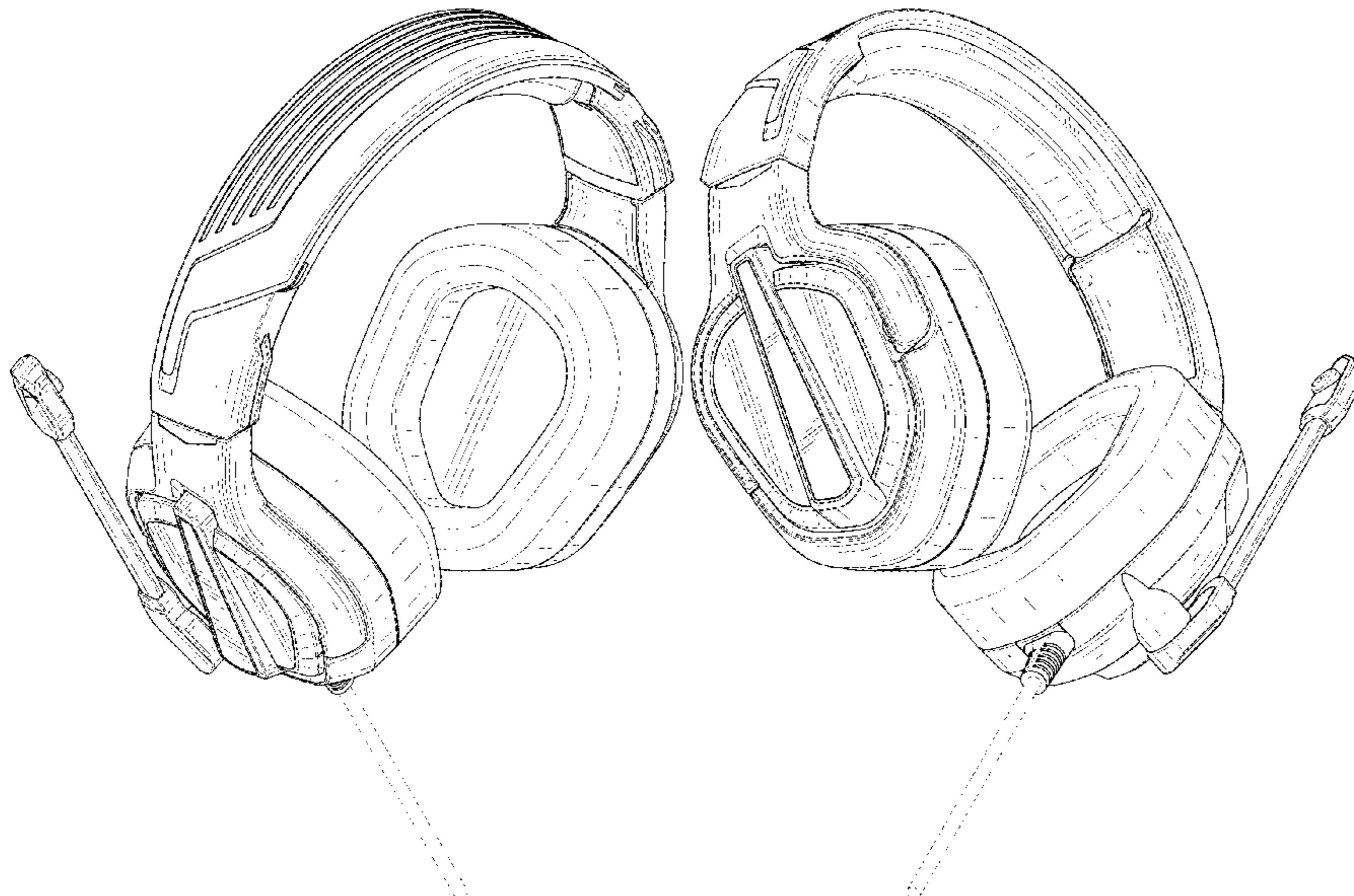
(57) **CLAIM**

The ornamental design for a head-mounted gaming headset,  
as shown and described.

**DESCRIPTION**

FIG. 1 is a first perspective view of a head-mounted gaming headset showing my new design;  
 FIG. 2 is a second perspective view thereof;  
 FIG. 3 is a front view thereof;  
 FIG. 4 is a back view thereof;  
 FIG. 5 is a left side view thereof;  
 FIG. 6 is a right side view thereof;  
 FIG. 7 is a top view thereof; and,  
 FIG. 8 is a bottom view thereof.  
 The broken lines shown in the drawings depict portions of the head-mounted gaming headset in which the design is embodied that form no part of the claimed design.

**1 Claim, 8 Drawing Sheets**



(56)

References Cited

U.S. PATENT DOCUMENTS

D815,614 S \* 4/2018 Tzeng ..... D14/206  
 D824,360 S \* 7/2018 Hsieh ..... D14/205  
 D824,362 S \* 7/2018 Probst ..... D14/206  
 D831,000 S \* 10/2018 Chong ..... D14/206  
 D841,620 S \* 2/2019 Liu ..... D14/206  
 D845,927 S \* 4/2019 Wang ..... D14/206  
 D851,063 S \* 6/2019 Deng ..... D14/206  
 D851,064 S \* 6/2019 Wang ..... D14/206  
 D856,967 S \* 8/2019 Tang ..... D14/206  
 D856,968 S \* 8/2019 Tang ..... D14/206  
 D856,969 S \* 8/2019 Tang ..... D14/206  
 D856,970 S \* 8/2019 Tang ..... D14/206  
 D856,971 S \* 8/2019 Tang ..... D14/206  
 D857,656 S \* 8/2019 Ipsen ..... D14/206  
 D866,515 S \* 11/2019 Long ..... D14/206  
 D868,734 S \* 12/2019 Wang ..... D14/206  
 D870,696 S \* 12/2019 Deng ..... D14/206  
 D875,711 S \* 2/2020 Long ..... D14/205  
 D880,450 S \* 4/2020 Liu ..... D14/206  
 D883,950 S \* 5/2020 Liu ..... D14/206  
 D891,399 S \* 7/2020 Chen ..... D14/206  
 D894,869 S \* 9/2020 Tang ..... D14/206  
 D907,004 S \* 1/2021 Zhou ..... D14/206  
 D909,337 S \* 2/2021 Liu ..... D14/206  
 D910,596 S \* 2/2021 Shen ..... D14/206  
 D916,681 S \* 4/2021 He ..... D14/206  
 D924,842 S \* 7/2021 Chan ..... D14/206  
 D931,831 S \* 9/2021 Liu ..... D14/206  
 D935,441 S \* 11/2021 Liu ..... D14/206

D935,442 S \* 11/2021 Liu ..... D14/206  
 D940,100 S \* 1/2022 Xie ..... D14/206  
 D941,802 S \* 1/2022 He ..... D14/206  
 D941,803 S \* 1/2022 He ..... D14/206  
 D947,811 S \* 4/2022 Chen ..... D14/206  
 D948,474 S \* 4/2022 Zhou ..... D14/206  
 D948,475 S \* 4/2022 Zhou ..... D14/206  
 D948,476 S \* 4/2022 Zhou ..... D14/206  
 2001/0017926 A1 \* 8/2001 Vicamini ..... H04R 1/1016  
 381/370  
 2005/0226452 A1 \* 10/2005 Amae ..... H04R 1/1066  
 381/381  
 2010/0040252 A1 \* 2/2010 Thompson ..... H04R 1/083  
 381/375  
 2011/0135134 A1 \* 6/2011 Essabar ..... H04R 1/1033  
 381/374  
 2011/0194721 A1 \* 8/2011 Schmidt ..... H04M 1/05  
 381/370  
 2013/0083955 A1 \* 4/2013 Miyazawa ..... H04R 1/1066  
 381/378  
 2016/0029137 A1 \* 1/2016 Price ..... H04R 1/2823  
 29/594  
 2017/0245043 A1 \* 8/2017 Abbott ..... H04R 1/1008  
 2017/0359645 A1 \* 12/2017 Chen ..... H04B 1/385  
 2020/0288234 A1 \* 9/2020 Fletcher ..... H04R 1/1066

FOREIGN PATENT DOCUMENTS

CN 306297352 \* 1/2021  
 CN 306603680 \* 6/2021  
 CN 307141859 \* 3/2022

\* cited by examiner



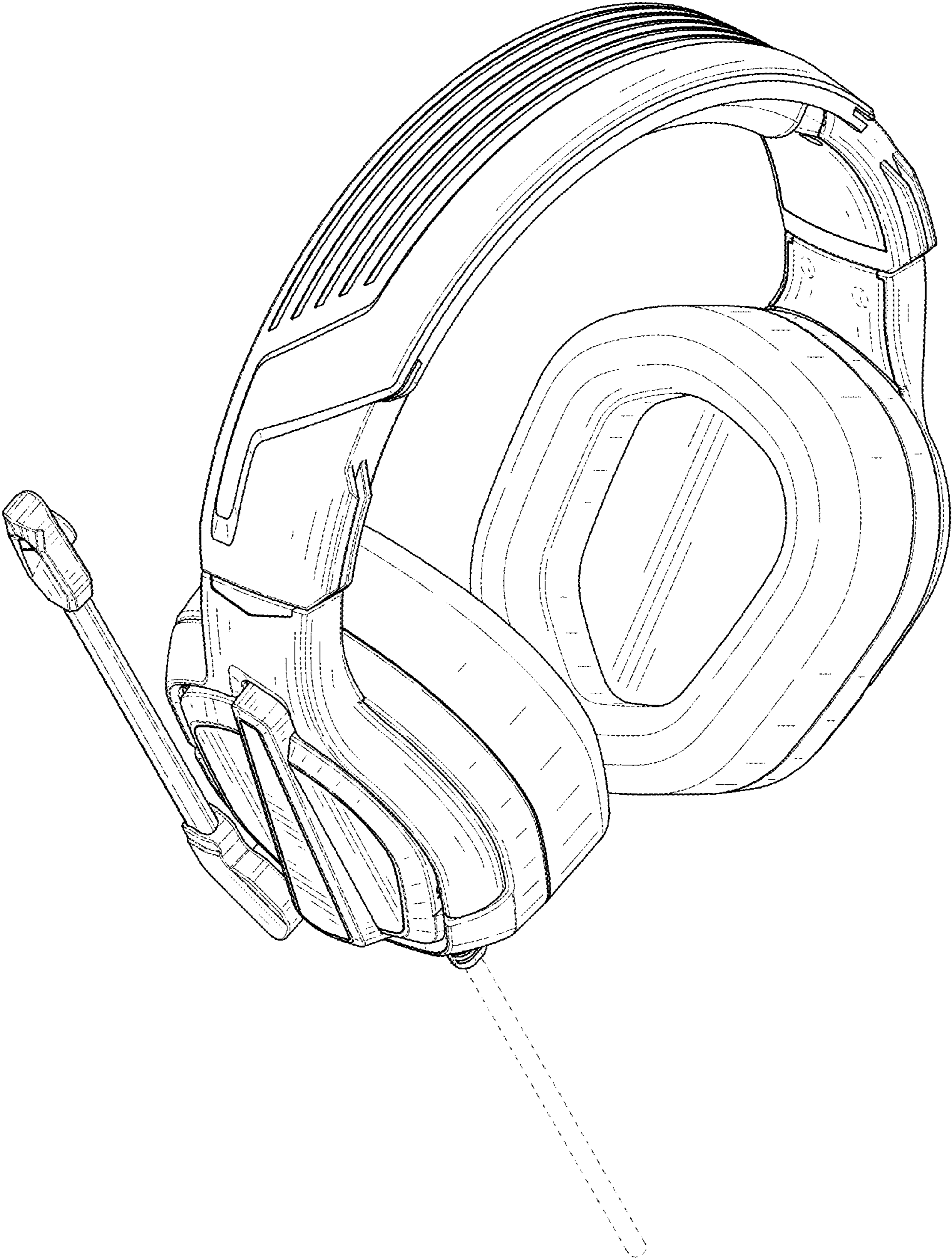


FIG. 1

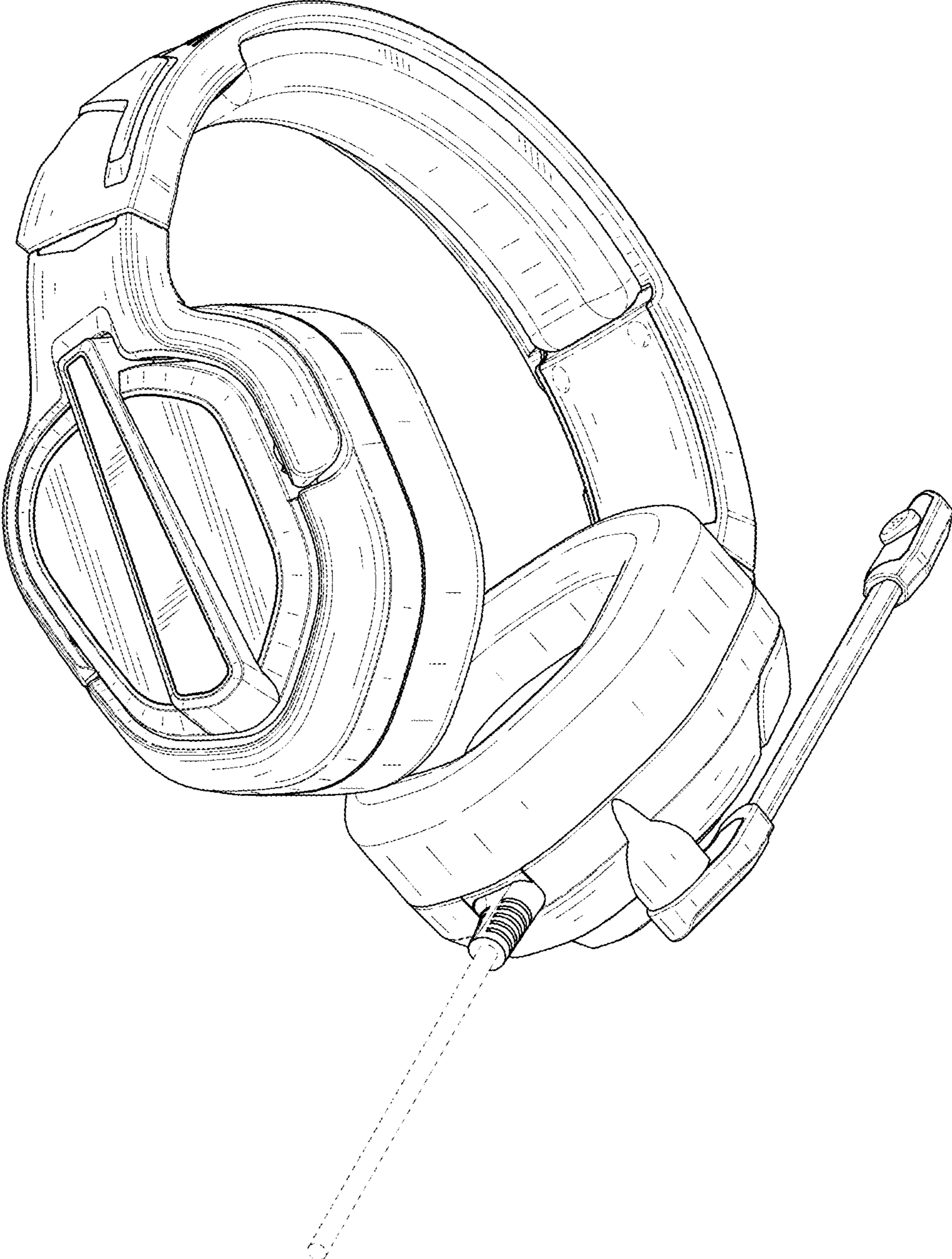


FIG. 2

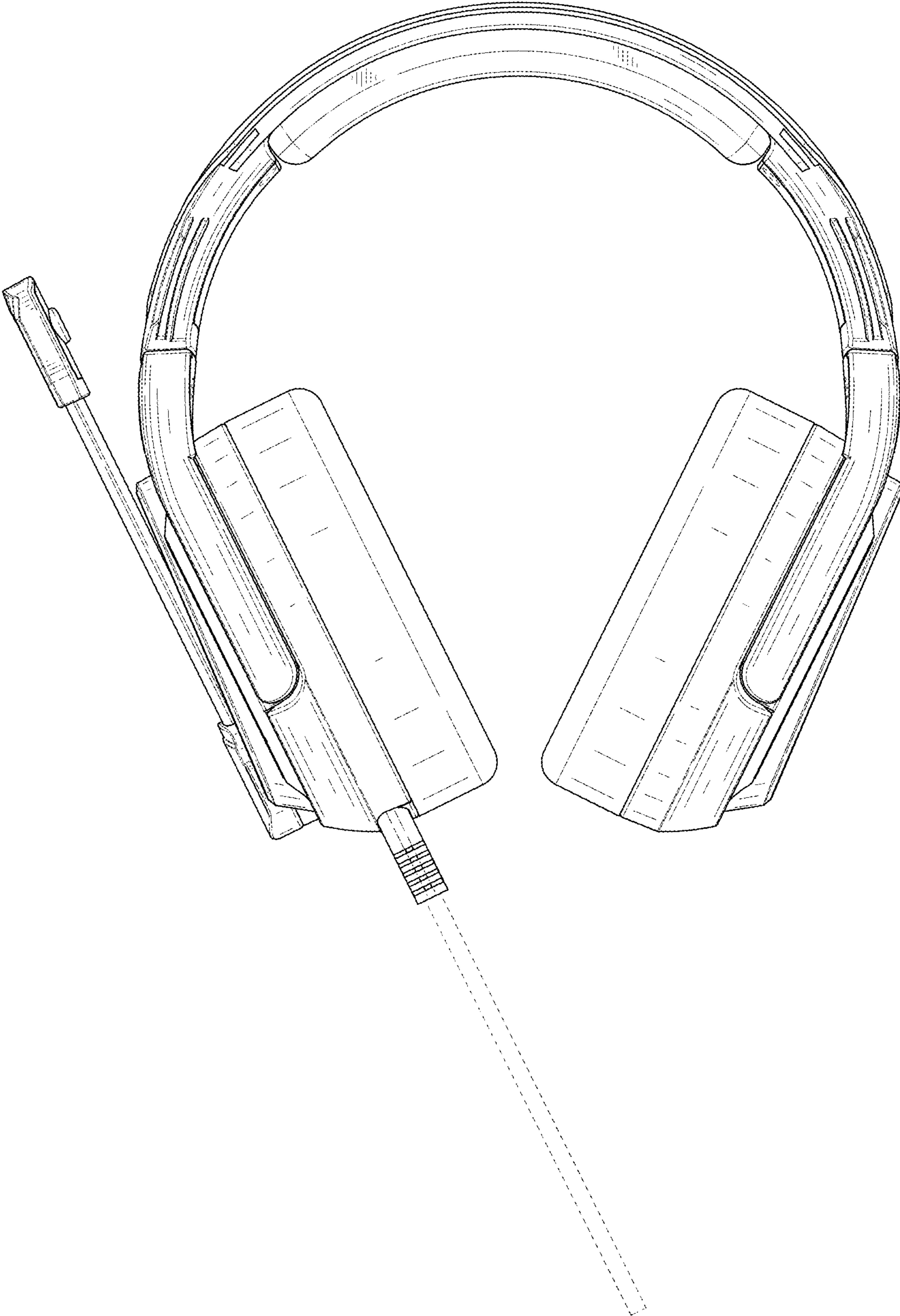


FIG. 3



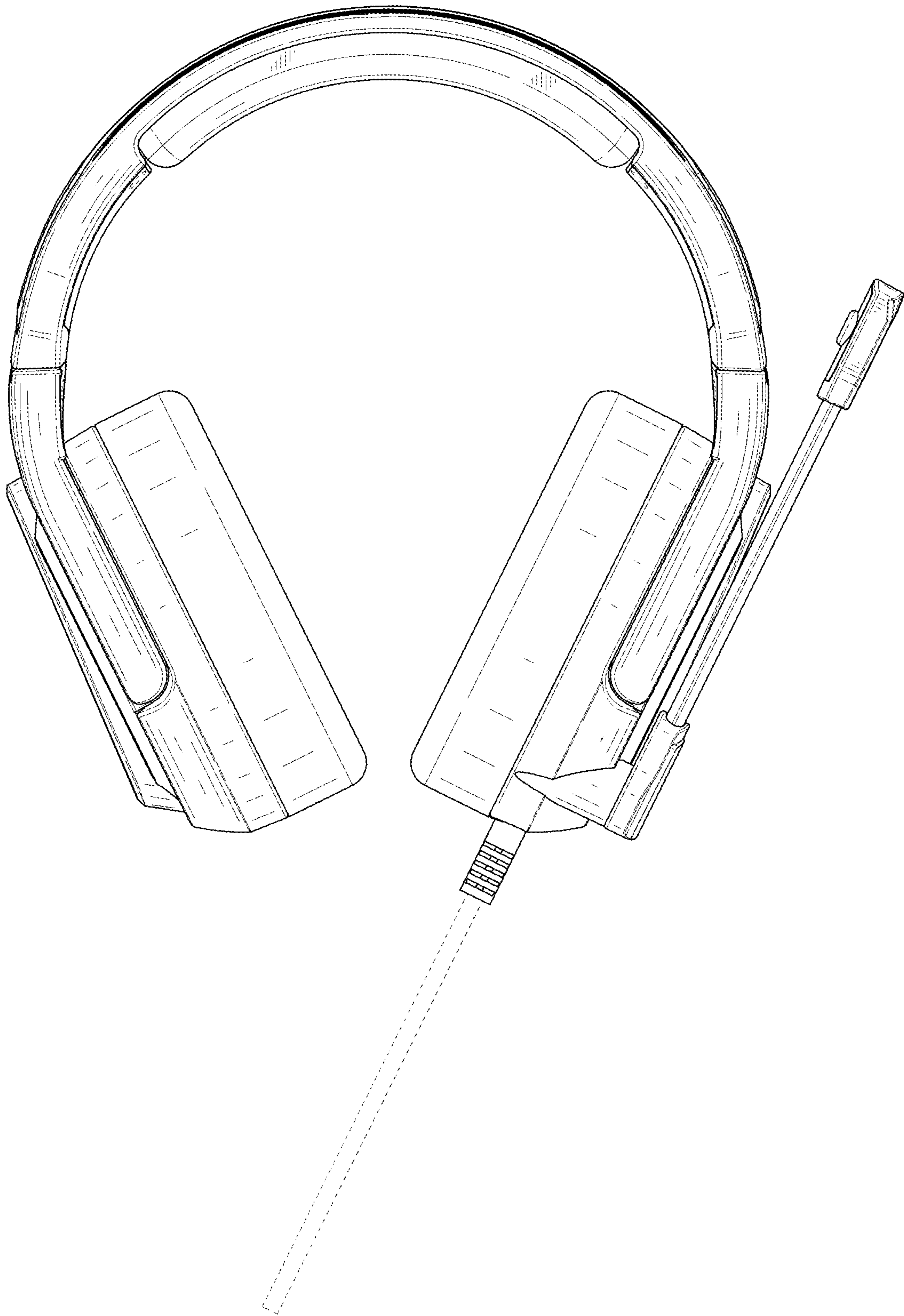


FIG. 4

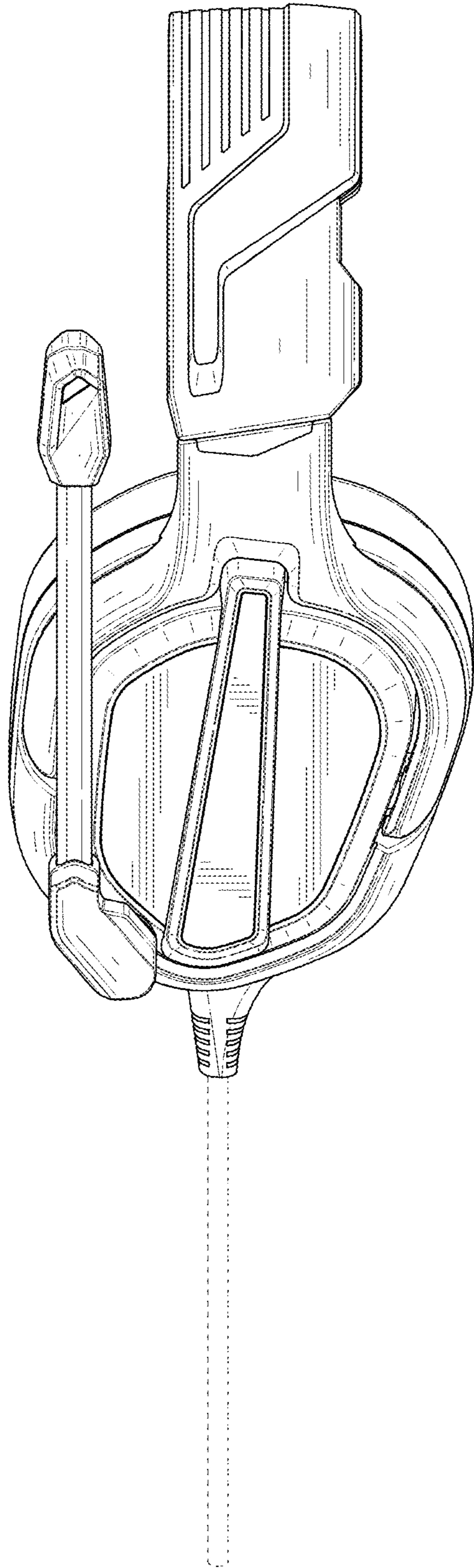


FIG. 5

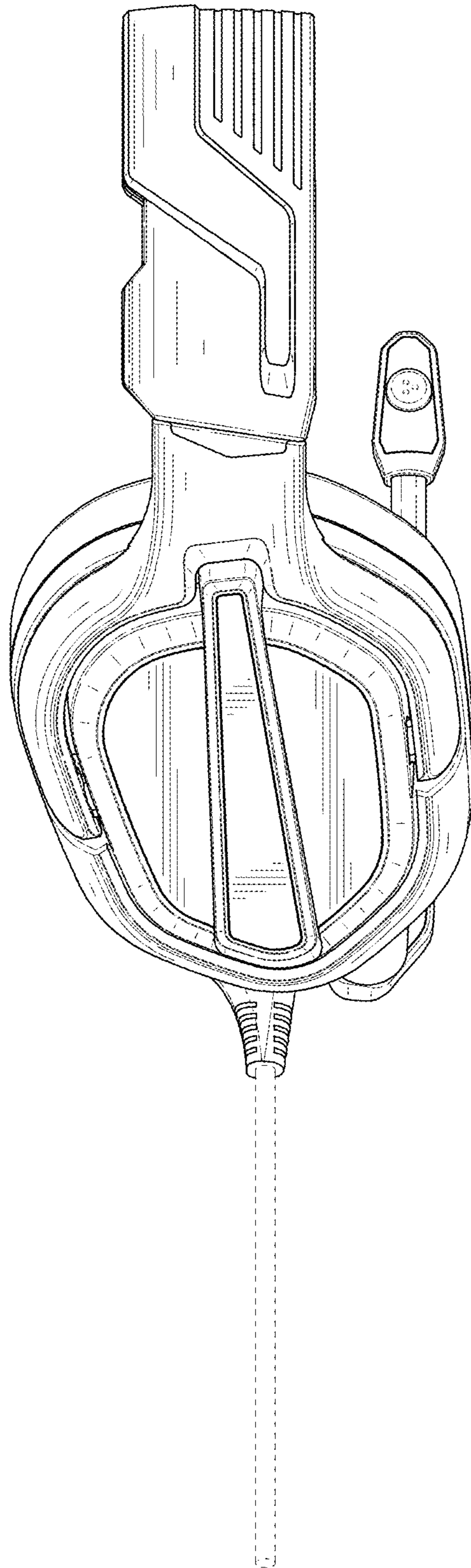


FIG. 6



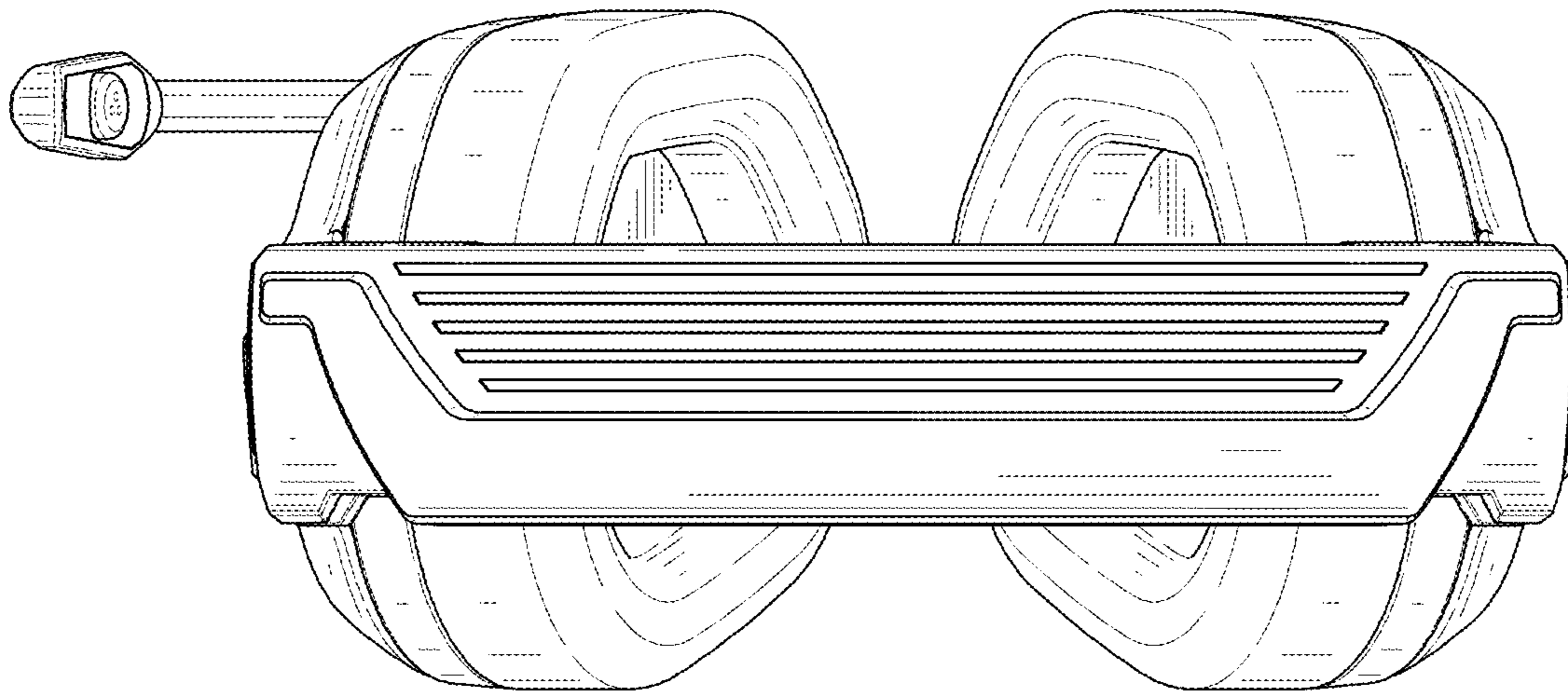


FIG. 7

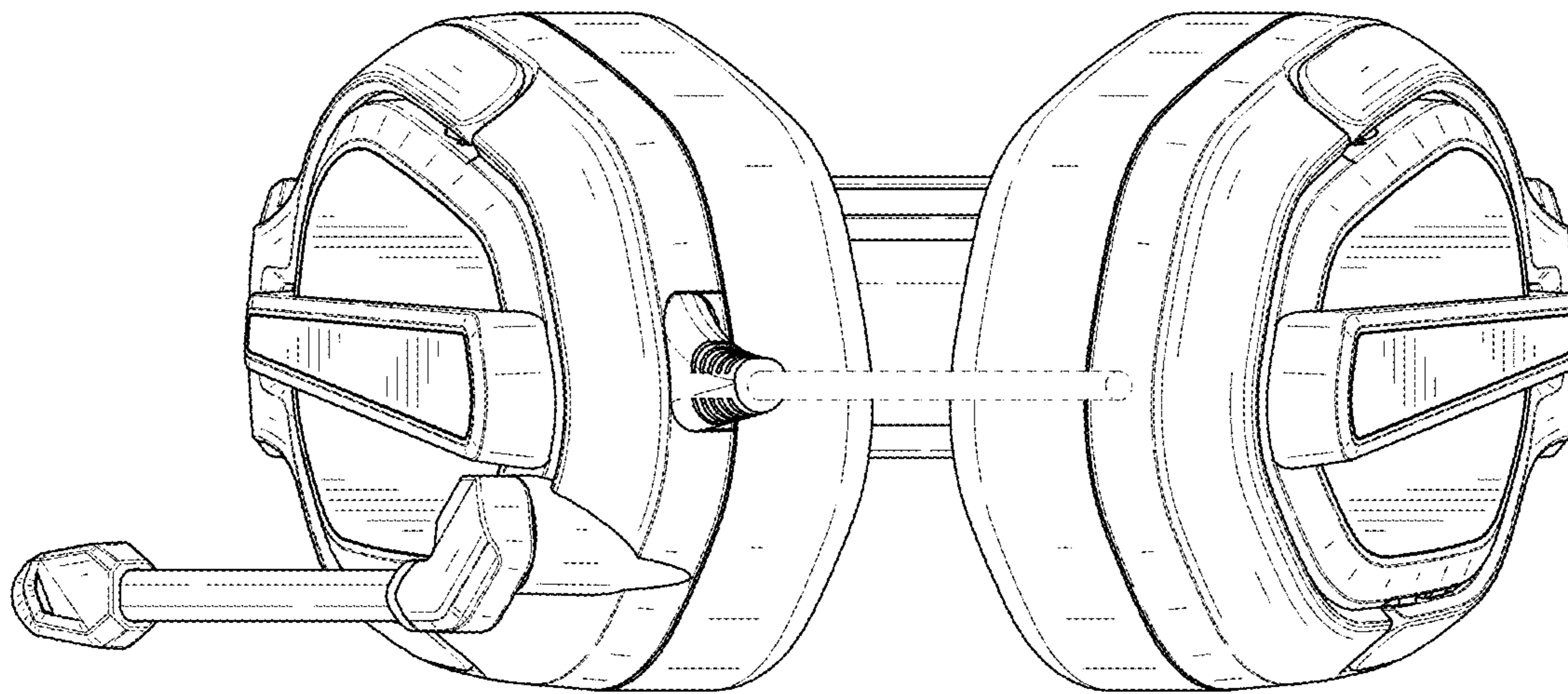


FIG. 8