



US00D976229S

(12) **United States Design Patent**
Xie

(10) **Patent No.:** **US D976,229 S**

(45) **Date of Patent:** **** Jan. 24, 2023**

(54) **HEADSET**

(71) Applicant: **Wen Xie**, Hunan (CN)

(72) Inventor: **Wen Xie**, Hunan (CN)

(**) Term: **15 Years**

(21) Appl. No.: **29/764,918**

(22) Filed: **Jan. 4, 2021**

(51) **LOC (14) Cl.** **14-01**

(52) **U.S. Cl.**
USPC **D14/206**; D14/226

(58) **Field of Classification Search**
USPC D14/206, 226, 225, 188, 192; D29/112;
2/209; 381/380–381, 370, 374; 362/105
CPC H04R 25/00; H04R 25/02; H04R 1/1066;
H04R 1/1016; H04R 5/033; H04R
5/0335; H04R 19/04; H04R 11/04; H04R
1/1008; H04R 1/1041; H04R 1/1091;
F21V 33/00; G09G 5/00; G02B 27/017
See application file for complete search history.

(56) **References Cited**

U.S. PATENT DOCUMENTS

6,081,604	A *	6/2000	Hikichi	H04R 5/0335 381/124
7,388,960	B2 *	6/2008	Kuo	H04R 5/02 381/384
8,643,568	B2 *	2/2014	West	G02B 27/0176 345/7
D832,813	S *	11/2018	Levine	D14/205
D834,260	S *	11/2018	Garcia Mansilla	D29/112
D852,777	S *	7/2019	Park	D14/206
D859,355	S *	9/2019	Hu	D14/206
D864,156	S *	10/2019	Liu	D14/206
D864,903	S *	10/2019	Liu	D14/206
D866,515	S *	11/2019	Long	D14/206
D868,029	S *	11/2019	Hänggi	D14/205
D868,734	S *	12/2019	Wang	D14/206

D870,698	S *	12/2019	Long	D14/206
D871,367	S *	12/2019	Zhijun	D14/205
D872,050	S *	1/2020	Liu	D14/206
D875,711	S *	2/2020	Long	D14/205
D876,392	S *	2/2020	Zhou	D14/206
D877,116	S *	3/2020	Liu	D14/206
D879,741	S *	3/2020	Hu	D14/205
D883,950	S *	5/2020	Liu	D14/206
D890,131	S *	7/2020	Shen	D14/206
D891,398	S *	7/2020	Chen	D14/206
D891,399	S *	7/2020	Chen	D14/206
D893,454	S *	8/2020	Li	D14/206
D899,402	S *	10/2020	Shen	D14/206
D928,114	S *	8/2021	Terazaki	D14/205

(Continued)

FOREIGN PATENT DOCUMENTS

CN	306161875	*	11/2020
CN	306328535	*	2/2021

(Continued)

Primary Examiner — Paula Allen Greene
(74) *Attorney, Agent, or Firm* — ScienBiziP, P.C.

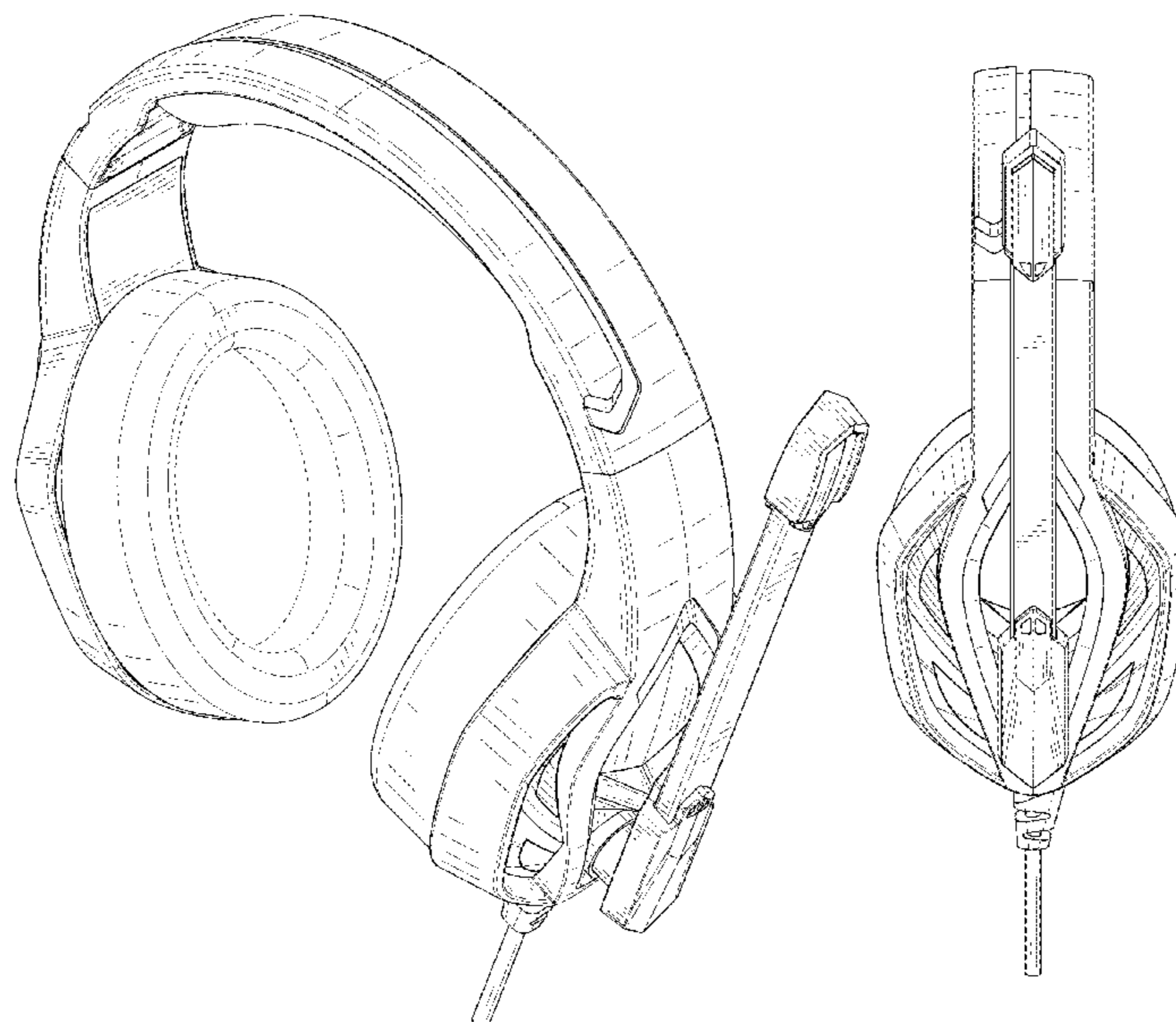
(57) **CLAIM**

The ornamental design for a headset, as shown and described.

DESCRIPTION

FIG. 1 is a front perspective view of a headset, showing my design.
FIG. 2 is a rear perspective view of the headset.
FIG. 3 is a front elevation view thereof.
FIG. 4 is a rear elevation view thereof.
FIG. 5 is a left side elevation view thereof.
FIG. 6 is a right side elevation view thereof.
FIG. 7 is a top plan view thereof; and,
FIG. 8 is a bottom plan view thereof.
The broken lines depict portions of the headset that form no part of the claimed design.

1 Claim, 8 Drawing Sheets



(56)

References Cited

U.S. PATENT DOCUMENTS

D947,153 S * 3/2022 He D14/206
D949,125 S * 4/2022 Liu D14/206
D953,290 S * 5/2022 Liu D14/206
D953,292 S * 5/2022 Zhang D14/206
D963,608 S * 9/2022 Li D14/206
2008/0166002 A1* 7/2008 Amsel H04R 1/026
381/370
2018/0333091 A1* 11/2018 Goldman H04R 1/1041
2018/0359553 A1* 12/2018 Mizuuchi G10K 11/17823
2021/0260414 A1* 8/2021 Mundy H04R 1/1008

FOREIGN PATENT DOCUMENTS

CN 306738298 * 8/2021
CN 307191723 * 3/2022
CN 307278761 * 4/2022

* cited by examiner



FIG. 1



FIG. 2



FIG. 3



FIG. 4

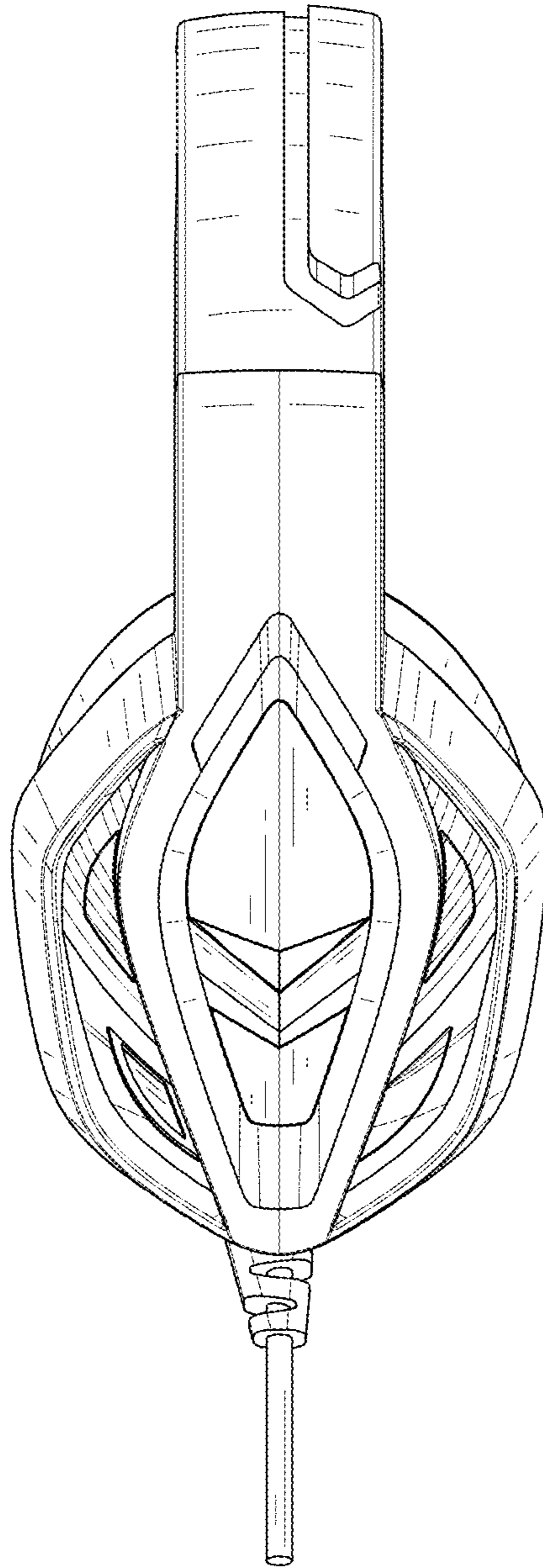


FIG. 5

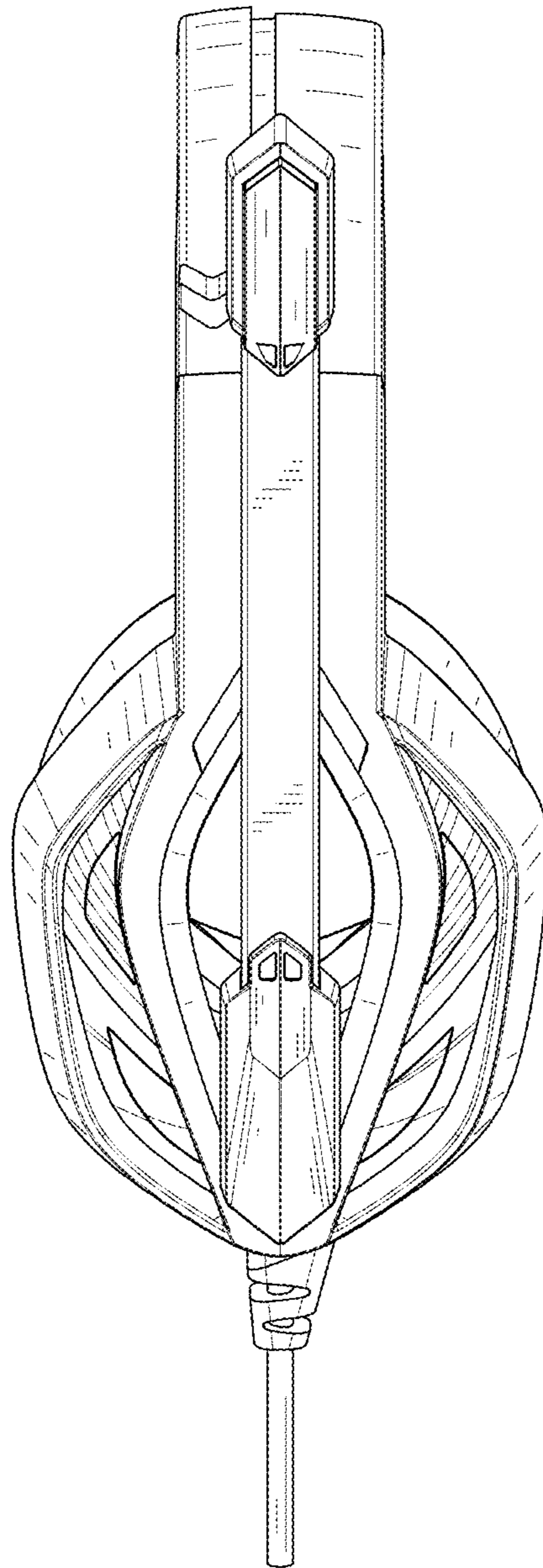


FIG. 6

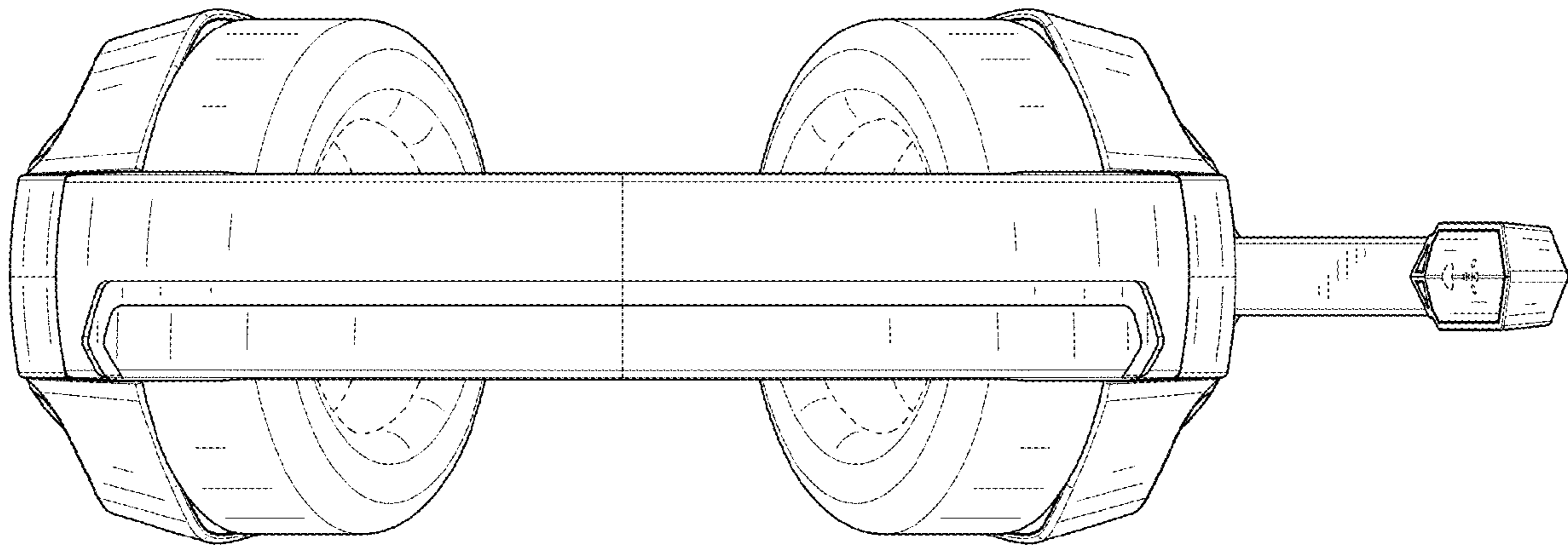


FIG. 7

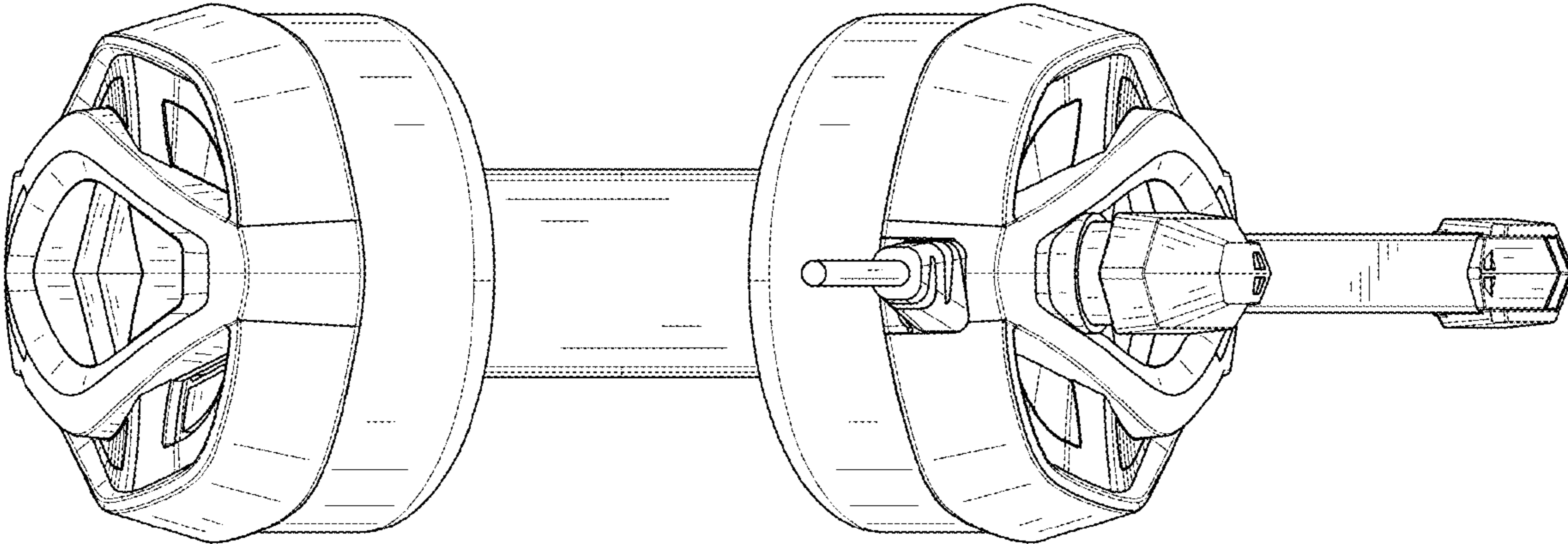


FIG. 8