



US00D976225S

(12) **United States Design Patent** (10) **Patent No.:** **US D976,225 S**  
**Pei et al.** (45) **Date of Patent:** **\*\* Jan. 24, 2023**

(54) **MOBILE PHONE WITH GRAPHICAL USER INTERFACE**

(71) Applicant: **BEIJING XIAOMI MOBILE SOFTWARE CO., LTD.**, Beijing (CN)

(72) Inventors: **Zetan Pei**, Beijing (CN); **Xiaodong Li**, Beijing (CN); **Haixu Lu**, Beijing (CN); **Jiayan Li**, Beijing (CN); **Zhenzhou Lu**, Beijing (CN)

(73) Assignee: **BEIJING XIAOMI MOBILE SOFTWARE CO., LTD.**, Beijing (CN)

(\*\*) Term: **15 Years**

(21) Appl. No.: **29/789,662**

(22) Filed: **Oct. 11, 2021**

**Related U.S. Application Data**

(63) Continuation-in-part of application No. 35/508,568, filed on Nov. 29, 2019 (U.S. filing date under 35 (Continued)

(30) **Foreign Application Priority Data**

Sep. 24, 2019 (CN) ..... 201930524203.4  
(51) **LOC (14) Cl.** ..... **14-03**  
(52) **U.S. Cl.**  
USPC ..... **D14/138 G; D14/489**

(58) **Field of Classification Search**  
USPC ..... D14/341-344, 439-440, 138 R, 138 AA, D14/138 AD, 138 C, 138 G, 203.1, 203.3, (Continued)

(56) **References Cited**

**U.S. PATENT DOCUMENTS**

D713,855 S \* 9/2014 Roberts ..... D14/487  
D716,253 S \* 10/2014 Lee ..... D14/138 AB  
(Continued)

**FOREIGN PATENT DOCUMENTS**

EP 2830293 A1 \* 1/2015 ..... G06F 3/044  
EP 4027226 A1 \* 7/2022 ..... G06F 3/04817  
KR 102423826 B1 \* 7/2022 ..... G06F 3/017

**OTHER PUBLICATIONS**

Pei, Zetan et al., Beijing Xiaomi Mobile Software Co, CN Design No. 305679290, published at Orbit, publication date Apr. 3, 2020. Site visited Jan. 1, 2021. Available from Internet. (Year: 2020).\*  
(Continued)

*Primary Examiner* — Kathleen L Jones  
(74) *Attorney, Agent, or Firm* — Syncoda LLC; Feng Ma

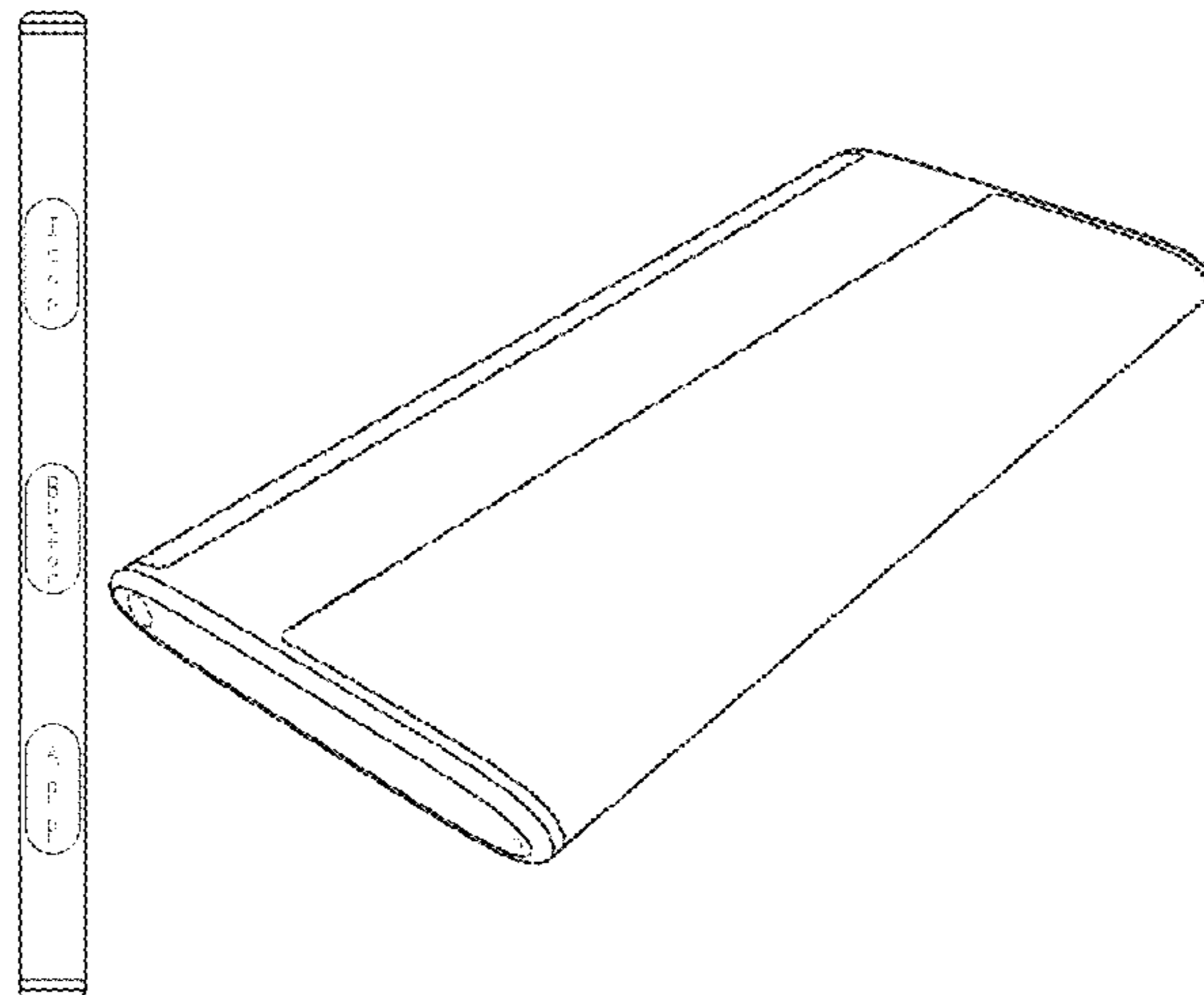
(57) **CLAIM**

The ornamental design for a mobile phone with graphical user interface, as shown and described.

**DESCRIPTION**

FIG. 1 is a front view of a first image in a sequence showing a mobile phone with graphical user interface according to a first embodiment showing our new design;  
FIG. 2 is a rear view thereof;  
FIG. 3 is a left view thereof;  
FIG. 4 is a right view thereof;  
FIG. 5 is a top view thereof;  
FIG. 6 is a bottom view thereof;  
FIG. 7 is a perspective view thereof;  
FIG. 8 is a perspective view of a second image in a sequence thereof, where the three elliptical icons have disappeared; and,  
FIG. 9 is a front view a mobile phone with graphical user interface according to a second embodiment.  
The product incorporating our new design involves the graphical user interface content in the product screen. The rear view, the left view, the right view, the top view, the bottom view of the second embodiment are the same as those of the first embodiment, and therefore are not shown in the second embodiment.  
The broken lines in the drawings, including those showing the text in FIGS. 1 and 9, are for the purpose of illustrating

(Continued)



portions of the mobile phone with graphical user interface that form no part of the claimed design.

The figures depict a mobile phone with graphical user interface, where all rounded features in FIGS. 1 and 9 are two-dimensional icons displayed on the screen.

Three elliptical icons in FIG. 1 only appear when the display screen is displayed, while FIG. 8 shows the state when the display screen does not display graphics.

The appearance of the transitional image sequentially transitions between the images shown in FIG. 1 to FIG. 8. The process or period in which one image transitions to another image forms no part of the claimed design.

**1 Claim, 9 Drawing Sheets**

**Related U.S. Application Data**

U.S.C. 384), and having an international filing date of Nov. 29, 2019.

(58) **Field of Classification Search**

USPC ..... D14/203.7, 238.1, 248, 250, 257, D14/485-495  
 CPC ..... H04M 1/0277; H04M 1/202; H04M 1/02; H04B 1/3838; G06F 3/0481; G06F 3/04817

See application file for complete search history.

(56) **References Cited**

U.S. PATENT DOCUMENTS

D721,344	S	*	1/2015	Lee	.....	D14/138	G
D722,035	S	*	2/2015	Nam	.....	D14/138	G
D722,036	S	*	2/2015	Nam	.....	D14/138	G
D761,838	S	*	7/2016	Yang	.....	D14/487	
D794,063	S	*	8/2017	Yang	.....	D14/487	
D801,997	S	*	11/2017	Kim	.....	D14/486	
D802,016	S	*	11/2017	Kwiatkowski	.....	D14/489	
D841,682	S	*	2/2019	Coffman	.....	D14/487	
D877,184	S	*	3/2020	Coffman	.....	D14/487	
D879,132	S	*	3/2020	Guzman	.....	D14/487	
D890,806	S	*	7/2020	Coffman	.....	D14/487	

D894,216	S	*	8/2020	Lindberg	.....	D14/486	
D898,762	S	*	10/2020	Coffman	.....	D14/487	
D901,533	S	*	11/2020	Coffman	.....	D14/487	
D903,703	S	*	12/2020	Lindberg	.....	D14/486	
D907,023	S	*	1/2021	Lee	.....	D14/250	
D915,336	S	*	4/2021	Lee	.....	D14/138	AD
D925,580	S	*	7/2021	Coffman	.....	D14/487	
11,132,101	B2	*	9/2021	Lu	.....	G06F 3/04842	
D936,626	S	*	11/2021	Lee	.....	D14/138	AD
D936,627	S	*	11/2021	Lee	.....	D14/138	AD
D937,256	S	*	11/2021	DeMaio	.....	D14/341	
D937,305	S	*	11/2021	Lim	.....	D14/486	
D940,680	S	*	1/2022	Lee	.....	D14/138	AD
D945,390	S	*	3/2022	Pei	.....	D14/138	G
D956,735	S	*	7/2022	Lee	.....	D14/341	
D956,737	S	*	7/2022	Kim	.....	D14/341	
D959,396	S	*	8/2022	Lee	.....	D14/138	AD
D962,989	S	*	9/2022	Hu	.....	D14/138	G
2016/0026381	A1	*	1/2016	Kim	.....	G06F 3/04886	715/761
2016/0188197	A1	*	6/2016	Ryu	.....	G06F 3/04847	345/156
2019/0239374	A1	*	8/2019	Cha	.....	H04M 1/0266	
2019/0341958	A1	*	11/2019	Coverstone	.....	H04M 1/0202	
2020/0009803	A1	*	1/2020	Kang	.....	B32B 27/40	
2020/0241732	A1	*	7/2020	Lu	.....	H04M 1/72522	
2020/0341603	A1	*	10/2020	Li	.....	G06F 3/0484	
2021/0026512	A1	*	1/2021	Wu	.....	G06F 3/044	
2021/0029829	A1	*	1/2021	Liu	.....	G06F 3/147	
2021/0368634	A1	*	11/2021	Song	.....	H05K 5/03	
2022/0291794	A1	*	9/2022	Bian	.....	G06F 3/04883	

OTHER PUBLICATIONS

Pei, Zetan et al., Beijing Xiaomi Mobile Software Co, CN Design No. 305688572, published at Orbit, publication date Apr. 7, 2020. Site visited Jan. 1, 2021. Available from Internet. (Year: 2020).\*

Shah, Aastha, Xiaomi Mi Mix Alpha with surround-screen display, posted at Gadget Notify, posting date Sep. 24, 2019. Site visited Jan. 1, 2021. URL: <<https://gadgetnotify.com/xiaomi-mi-mix-alpha-with-surround-screen-display/>> (Year: 2019).\*

Brownlee, Marques, Xiaomi Mi Mix Alpha Impressions: The Wrap-around Display!, posted at YouTube, posting date Feb. 28, 2020. Site visited Dec. 17, 2021. URL: <<https://www.youtube.com/watch?v=PTpoj4f25dk>> (Year: 2020).\*

\* cited by examiner



FIG. 1



FIG. 2

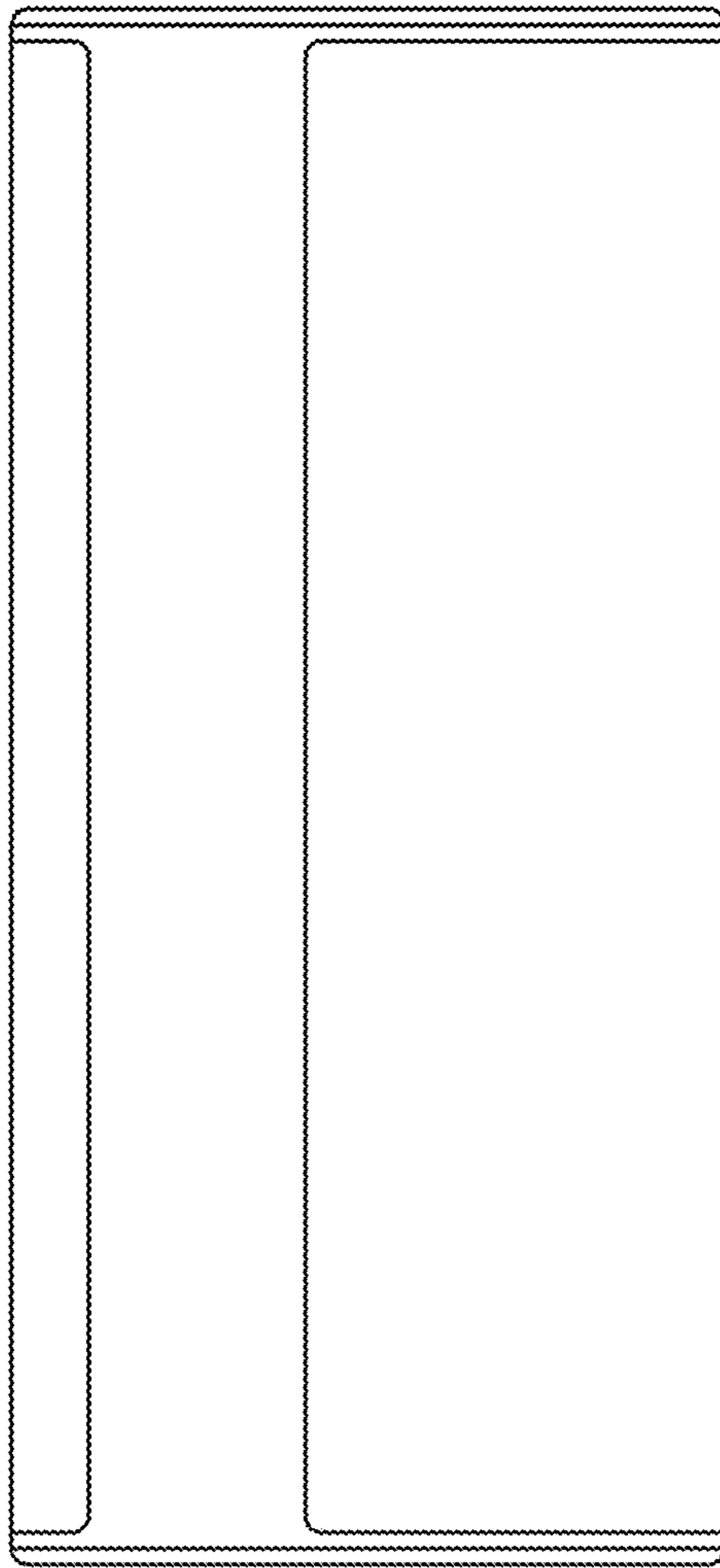


FIG. 3



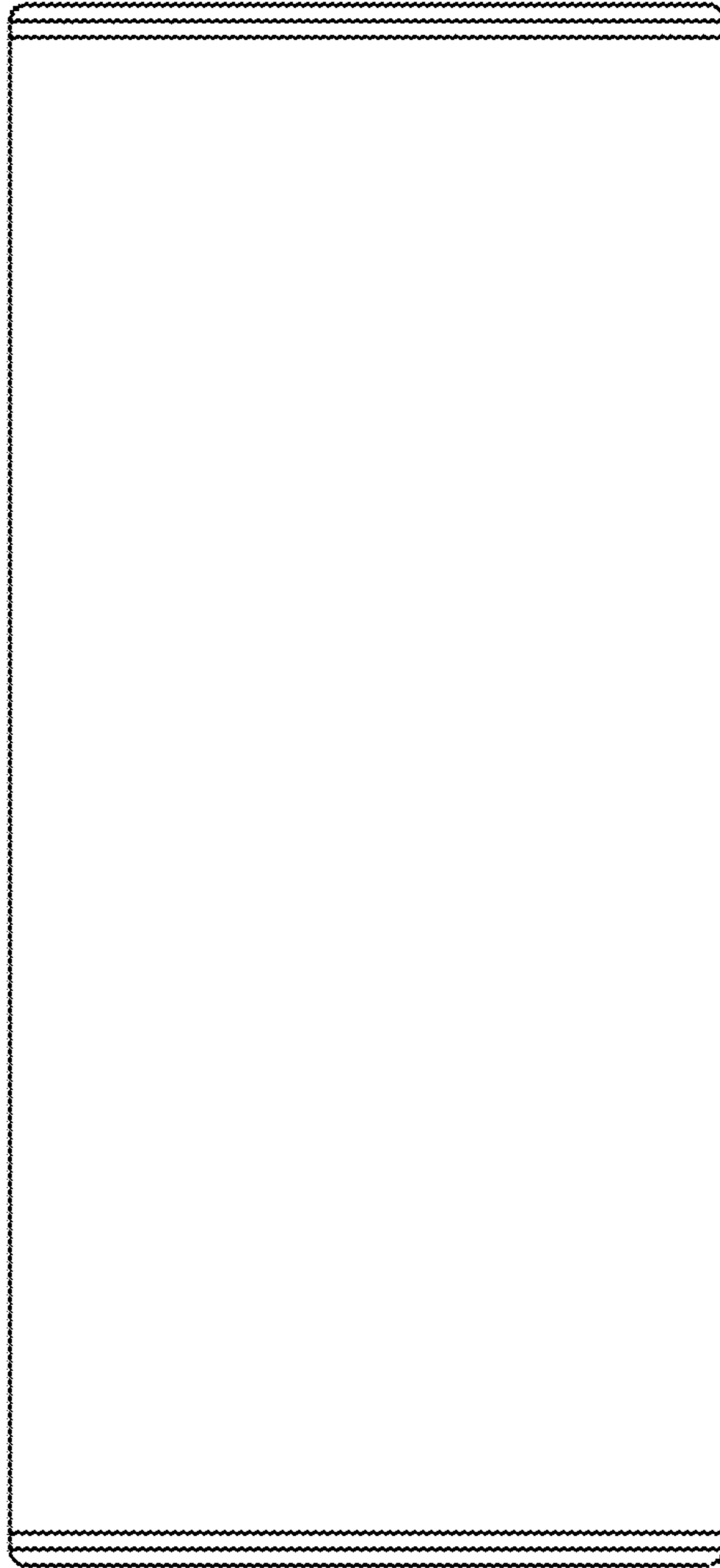


FIG. 4



FIG. 5



FIG. 6



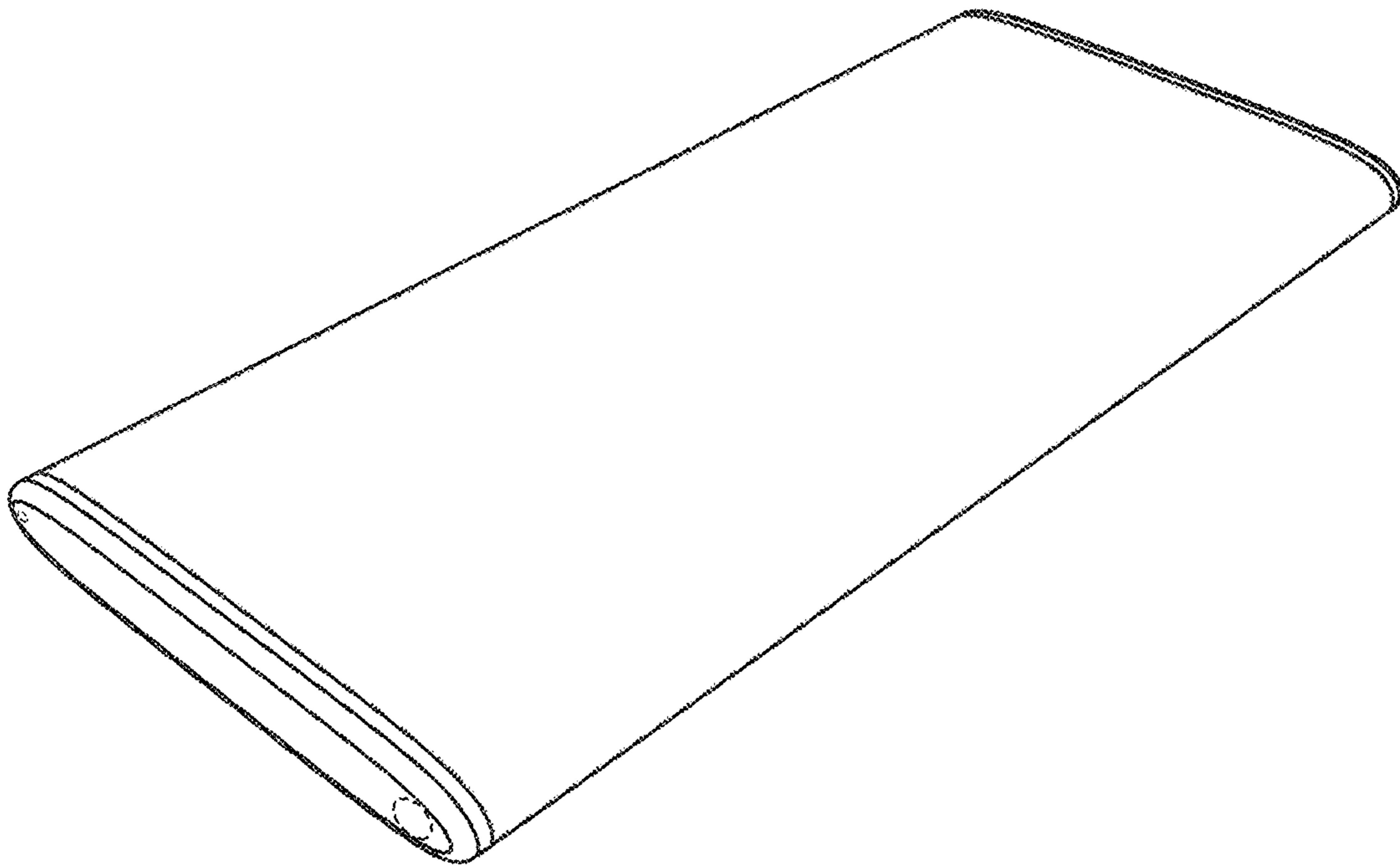


FIG. 7

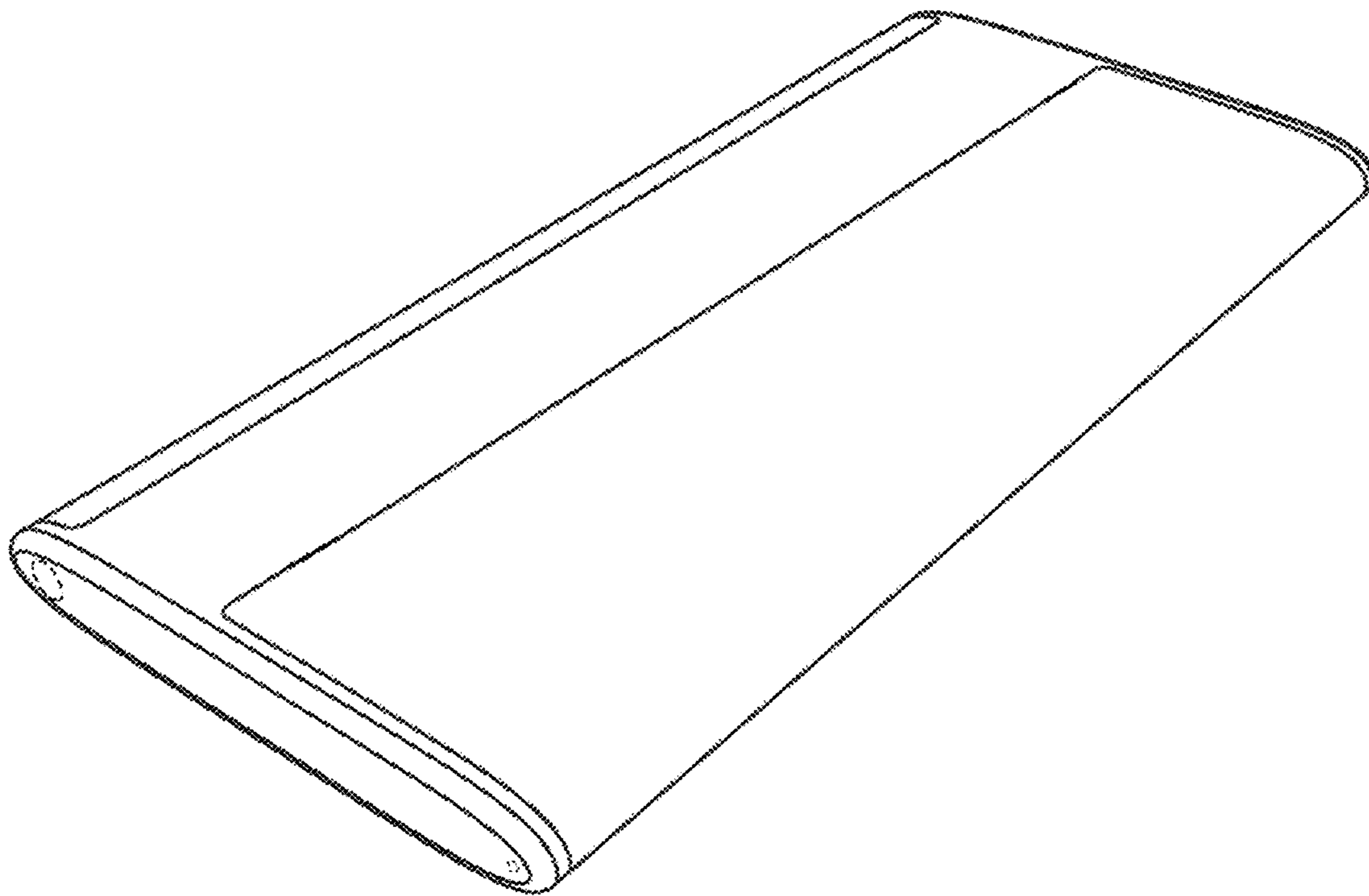


FIG. 8



FIG. 9