



US00D976221S

(12) **United States Design Patent**  
**Edwards**

(10) **Patent No.:** **US D976,221 S**

(45) **Date of Patent:** **\*\* Jan. 24, 2023**

(54) **REMOTE CONTROL**  
(71) Applicant: **KOHLER MIRA LIMITED**,  
Cheltenham (GB)  
(72) Inventor: **Bradley Edwards**, Cheltenham (GB)  
(73) Assignee: **KOHLER MIRA LIMITED**,  
Cheltenham (GB)  
(\*\*) Term: **15 Years**  
(21) Appl. No.: **29/794,370**

9,910,578 B2 \* 3/2018 Freier ..... G05D 23/1393  
D819,460 S \* 6/2018 Fadell ..... G05D 23/1932  
D10/50  
D826,738 S \* 8/2018 Liao ..... D10/53  
D834,002 S \* 11/2018 Bergfeldt ..... D14/218  
D839,215 S \* 1/2019 Odegard ..... D13/162  
D844,755 S \* 4/2019 Boal ..... D23/254  
D863,258 S \* 10/2019 Song ..... D10/49  
D868,036 S \* 11/2019 Sohn ..... D14/218  
D872,775 S \* 1/2020 Becke ..... D15/89  
D883,967 S \* 5/2020 Huang ..... D14/240  
D911,191 S \* 2/2021 Qi ..... D10/50  
D916,670 S \* 4/2021 Knupfer ..... D13/171  
D918,204 S \* 5/2021 Raken ..... D14/388  
D948,354 S \* 4/2022 Lee ..... D10/50

(Continued)

(22) Filed: **Jun. 11, 2021**  
(51) **LOC (14) Cl.** ..... **14-03**  
(52) **U.S. Cl.**  
USPC ..... **D13/168**; D13/174  
(58) **Field of Classification Search**  
USPC ..... D13/162, 168, 171, 174; D14/218;  
D23/254, 304; D10/49, 50; D7/538, 608  
CPC ..... G08C 17/02; G08C 19/00; G08C 19/12;  
G08C 19/28; G08C 23/04; G05B 15/02;  
G06F 3/04886; H05B 47/19; H03J 9/00;  
H03J 9/02; H03J 9/04; H03J 9/06; H03J  
1/0025; H04B 1/202

**FOREIGN PATENT DOCUMENTS**

CN 305758887 \* 11/2019  
IN 320643-002-0001 \* 8/2019

**OTHER PUBLICATIONS**

Kohler 28213-CP Anthem Digital Valves Controls, Polished Chrome; Jan. 18, 2022; 2 pgs.; <https://www.amazon.com/Kohler-28213-BL-Anthem-Digital-Controls/dp/B09QNZ27XP?th=1>.\*

(Continued)

See application file for complete search history.

*Primary Examiner* — Selina Sikder

(74) *Attorney, Agent, or Firm* — Husch Blackwell LLP

(56) **References Cited**

**U.S. PATENT DOCUMENTS**

D591,182 S \* 4/2009 Schoenherr ..... D10/49  
D595,092 S \* 6/2009 Haas ..... D7/542  
D603,022 S \* 10/2009 Schonherr ..... D23/245  
D613,598 S \* 4/2010 Westphal ..... D9/503  
D627,306 S \* 11/2010 Charleux ..... D13/168  
D632,265 S \* 2/2011 Choi ..... D13/168  
D639,784 S \* 6/2011 Murayama ..... D14/218  
D700,904 S \* 3/2014 Miller ..... D14/218  
D745,228 S \* 12/2015 Scaba ..... D30/129  
D746,166 S \* 12/2015 Li ..... D10/104.1  
D750,980 S \* 3/2016 Takach ..... D10/50  
D764,028 S \* 8/2016 Schoenherr ..... D23/254

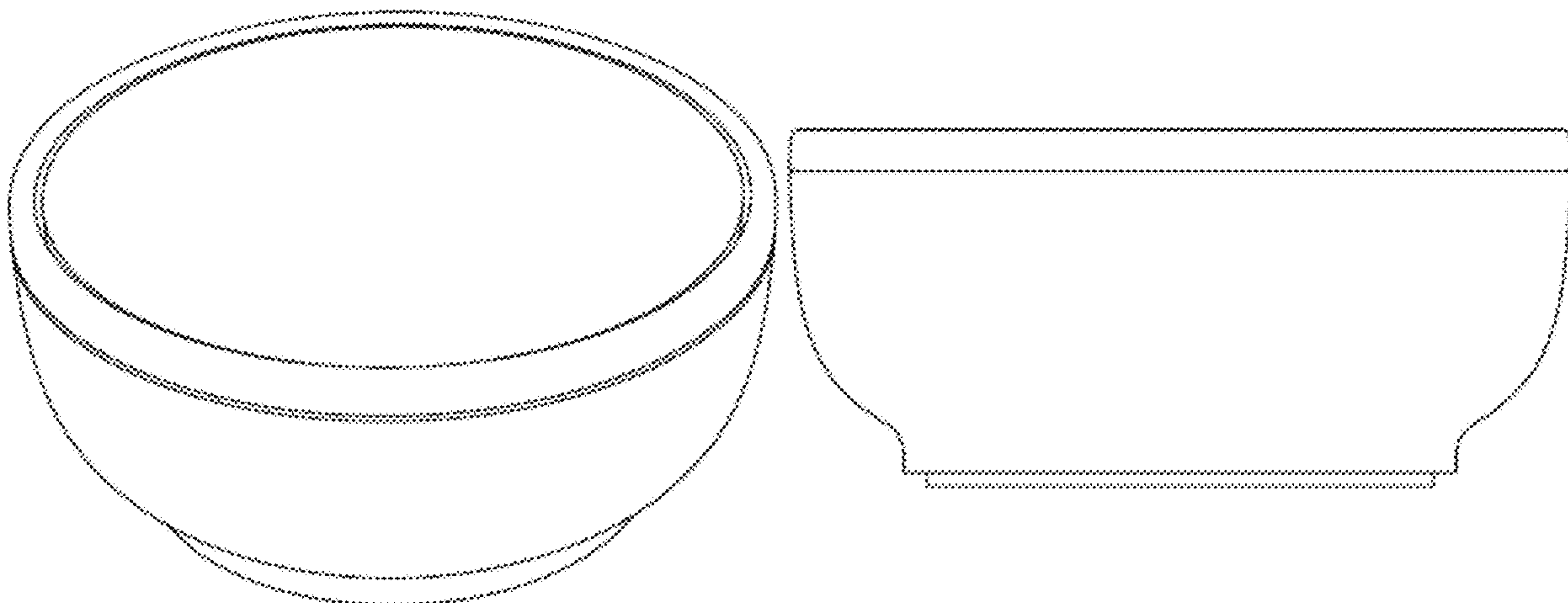
(57) **CLAIM**

The ornamental design for a remote control, as shown and described.

**DESCRIPTION**

FIG. 1 is a top perspective view of the claimed design;  
FIG. 2 is a top view thereof;  
FIG. 3 is a bottom view thereof; and,  
FIG. 4 is a side view thereof.

**1 Claim, 2 Drawing Sheets**



(56)

**References Cited**

U.S. PATENT DOCUMENTS

D951,211 S \* 5/2022 Dimberg ..... D13/174  
D953,816 S \* 6/2022 Lin ..... D7/608  
2014/0319232 A1\* 10/2014 Gourlay ..... F24F 11/62  
236/1 C  
2017/0354023 A1\* 12/2017 Dimberg ..... G08C 17/02  
2021/0333806 A1\* 10/2021 Urbanec ..... B64C 13/16

OTHER PUBLICATIONS

Mira Activate Digital Shower Control; Oct. 2020; 1 pg; <https://www.mirashowers.co.uk/showers/digital-showers/mira-activate-wireless-remote-control-accessory/>.\*

Kohler, Mira Activate, Digital Shower, Installation and User Guide,; Oct. 2020; 52 pgs.;<https://www.mirashowers.co.uk/showers/digital-showers/mira-activate-wireless-remote-control-accessory/>.\*

Aqualisa, Wired Remote Instalation Guide, Aug. 2020; 26 pgs.;[chrome-extension://efaidnbmnnnibpcajpcgclefindmkaj/http://www.free-instruction-manuals.com/pdf/pa\\_2281592.pdf](chrome-extension://efaidnbmnnnibpcajpcgclefindmkaj/http://www.free-instruction-manuals.com/pdf/pa_2281592.pdf).\*

Mira Platinum Wireless Controller User Guide; Feb. 2016; 28 pgs.\*

MicroTouch Control, Installation Operation Manual; retrieved Sep. 2, 2022; 10 pgs.\*

Vado, Sensori, Technical Drawing, retrieved on Sep. 2, 2022; 1 pg.\*

EDO Wall Sconce, Small; 2021; 3 pgs; [chrome-extension://efaidnbmnnnibpcajpcgclefindmkaj/https://static1.squarespace.com/static/61f87adaflde5a4edccdc50/t/6201ec6c2413965dc03b1156/1644293232565/ISM+Objects\\_Edo+Small+tech+datasheet.pdf](chrome-extension://efaidnbmnnnibpcajpcgclefindmkaj/https://static1.squarespace.com/static/61f87adaflde5a4edccdc50/t/6201ec6c2413965dc03b1156/1644293232565/ISM+Objects_Edo+Small+tech+datasheet.pdf).\*

\* cited by examiner

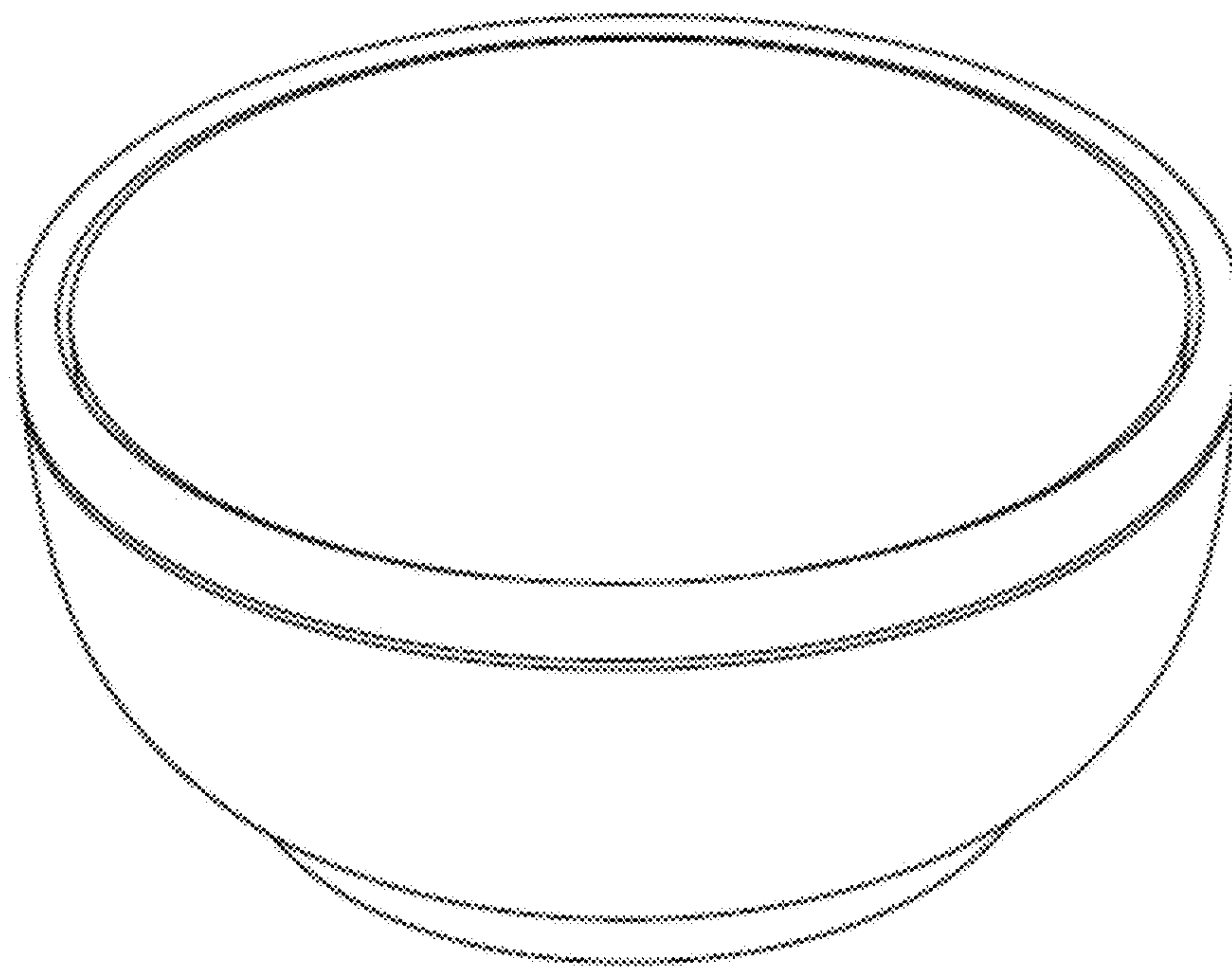


FIGURE 1

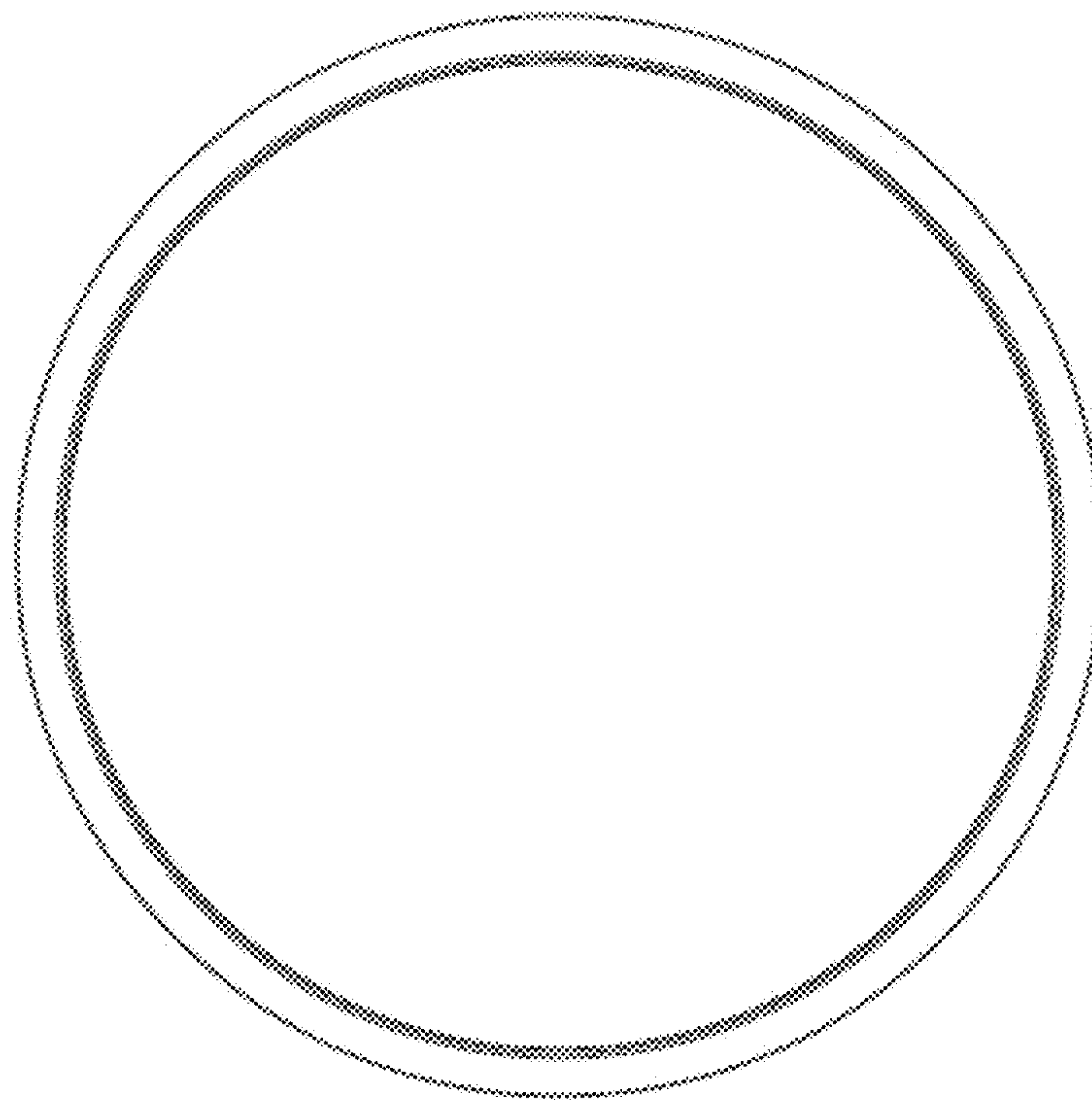


FIGURE 2

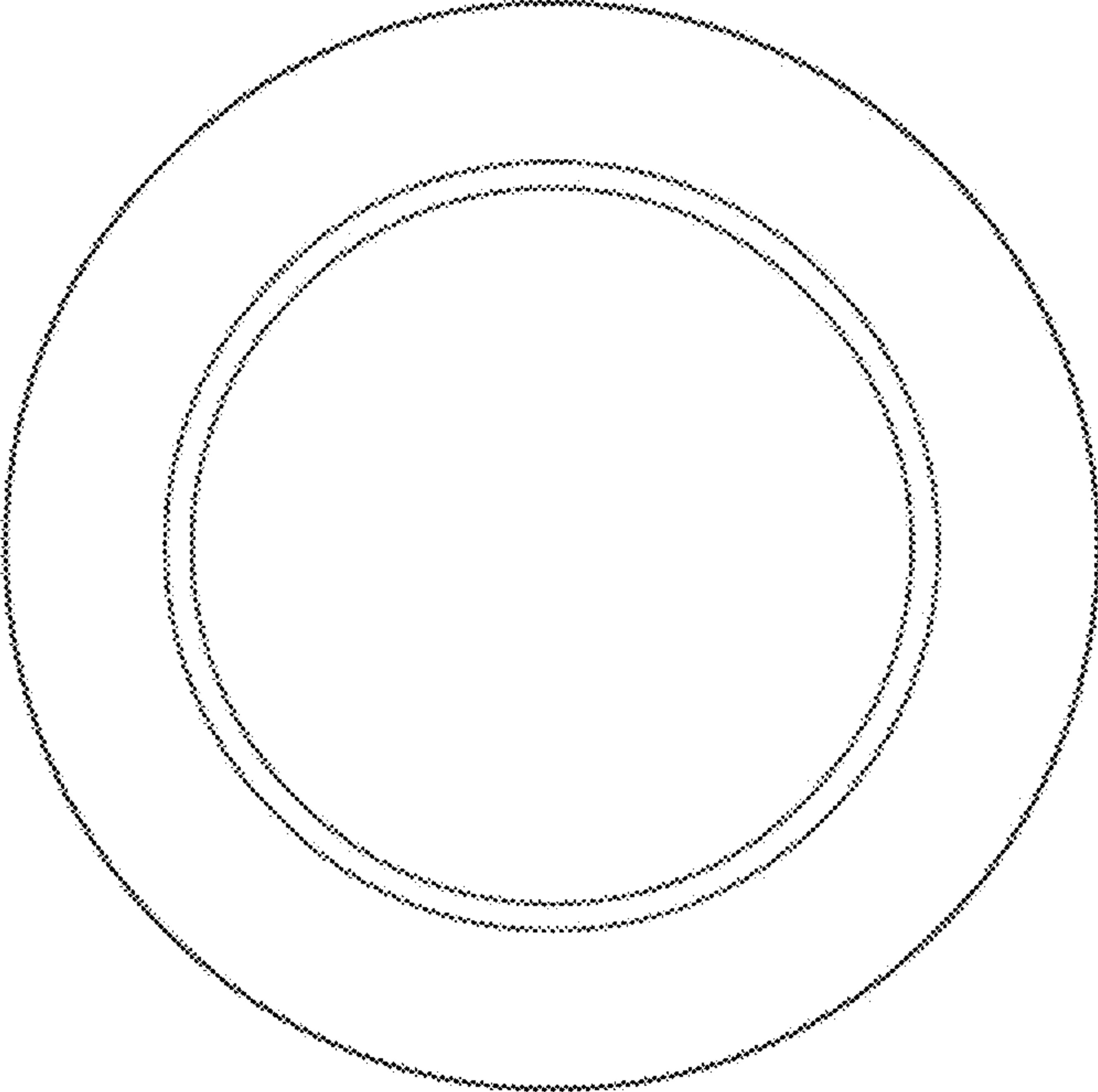


FIGURE 3

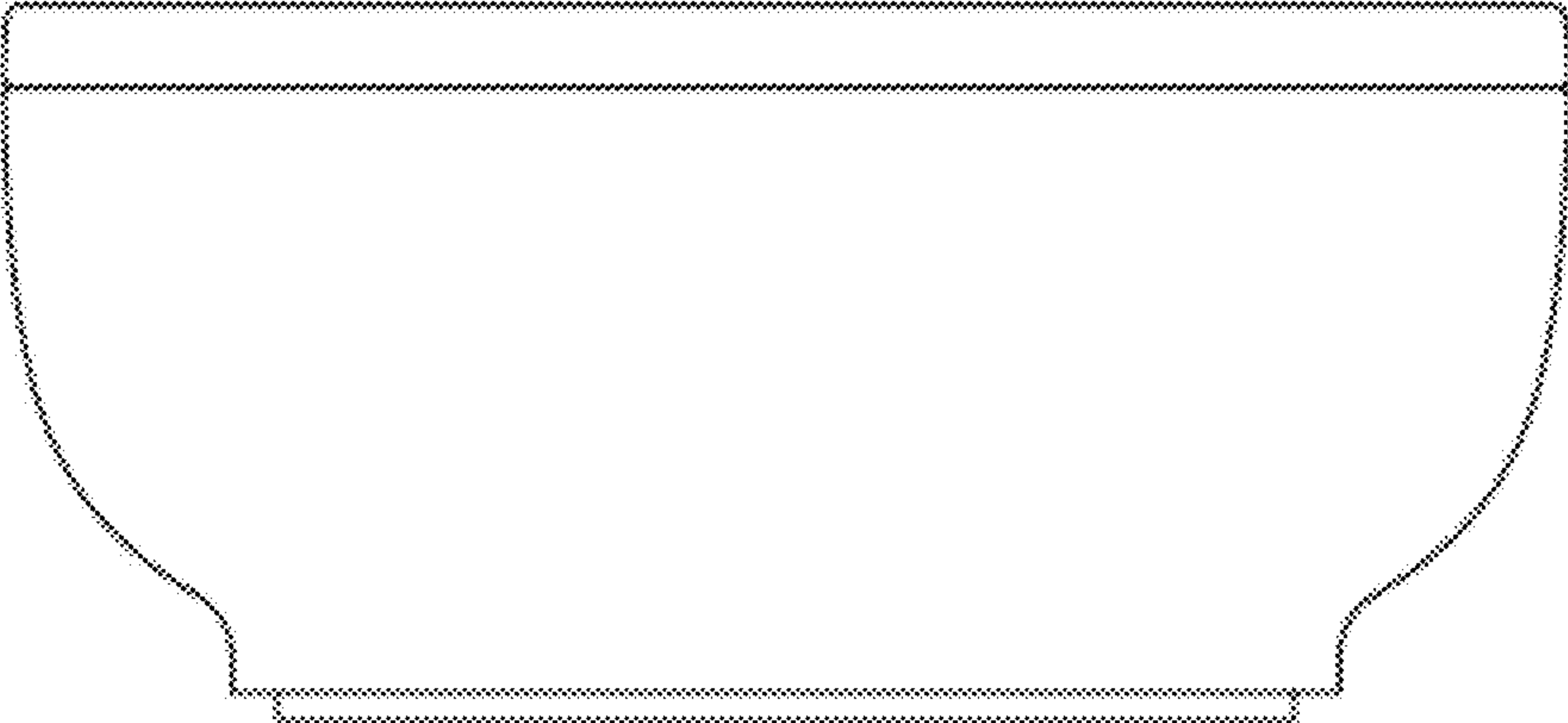


FIGURE 4