



US00D976219S

(12) **United States Design Patent**
Cai

(10) **Patent No.:** **US D976,219 S**

(45) **Date of Patent:** **** Jan. 24, 2023**

(54) **LAMP BAND INTERFACE**
(71) Applicant: **Chengxun Cai**, Guangdong (CN)
(72) Inventor: **Chengxun Cai**, Guangdong (CN)
(73) Assignee: **Shenzhen Chuangpu Technology Co., Ltd**, Guangdong (CN)
(**) Term: **15 Years**

D900,789	S	*	11/2020	Chen	D14/218
D911,295	S	*	2/2021	Chen	D14/218
D916,034	S	*	4/2021	Shi	D14/218
D917,404	S	*	4/2021	Xu	D13/168
D924,182	S	*	7/2021	Fu	D13/168
D940,661	S	*	1/2022	Alviar	D13/147
D943,538	S	*	2/2022	Shi	D13/168
D949,806	S	*	4/2022	Zhao	D13/168
D953,894	S	*	6/2022	Li	D14/218
D957,364	S	*	7/2022	Wu	D14/218
D962,886	S	*	9/2022	Yan	D14/126
2022/0045467	A1	*	2/2022	MulHolland	B25B 5/003

(21) Appl. No.: **29/702,450**
(22) Filed: **Aug. 20, 2019**
(51) **LOC (14) Cl.** **14-03**
(52) **U.S. Cl.**
USPC **D13/168**
CPC **H05B 45/20** (2020.01)
(58) **Field of Classification Search**
USPC D13/162, 168; D14/218, 240, 358;
D10/104.1, 106.6
CPC .. H05B 45/20; H05B 45/3577; H05B 47/175;
F21V 23/003; F21V 23/06; F21S 4/24;
F21Y 2103/10; F21Y 2115/10
See application file for complete search history.

OTHER PUBLICATIONS

LED 11360 LED strip light and controller. (Year: 2016).*

* cited by examiner

Primary Examiner — Richard E Chilcot

(57) **CLAIM**

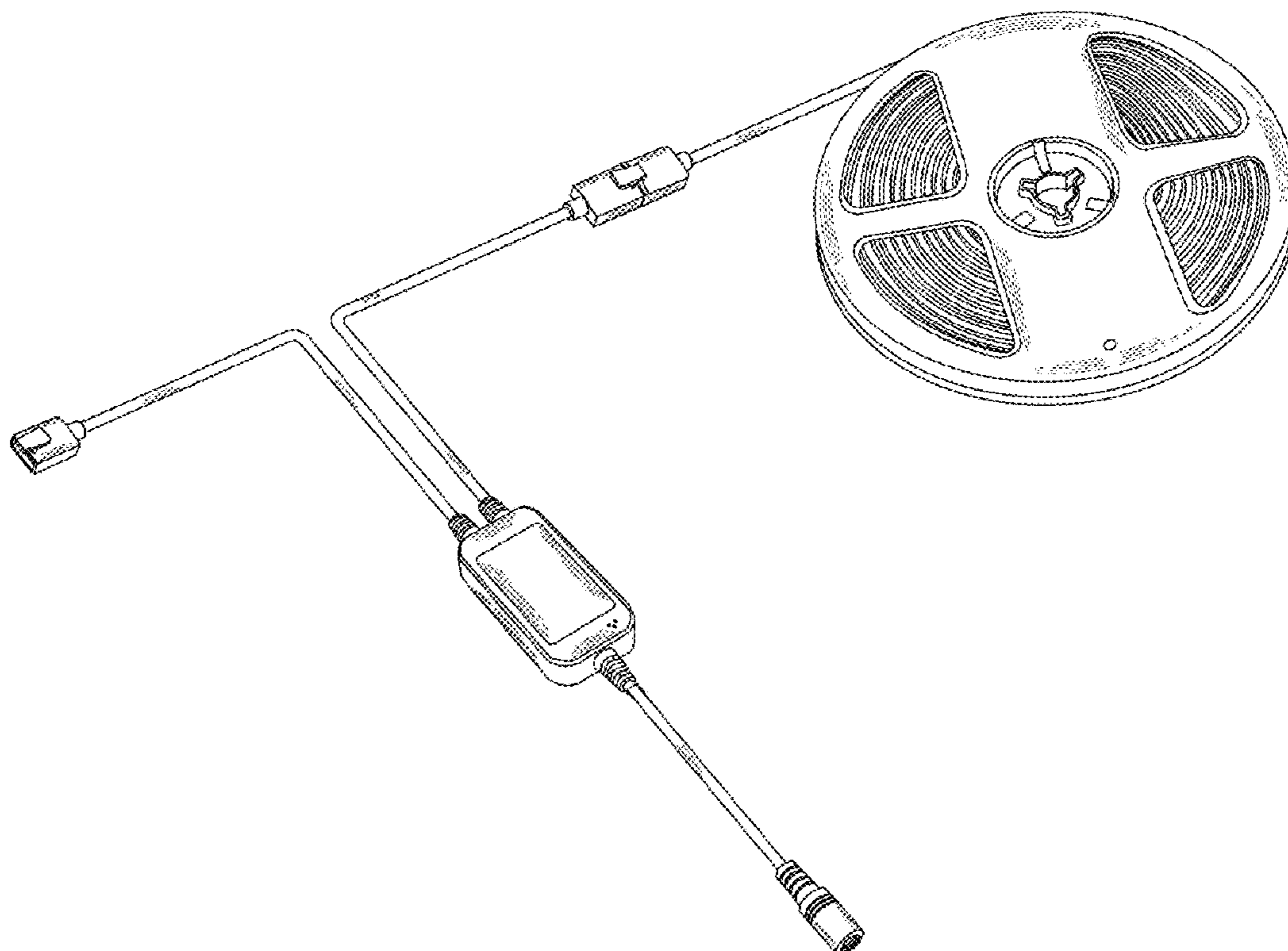
The ornamental design for a lamp band interface, as shown and described.

DESCRIPTION

FIG. 1 is a perspective view of a lamp band interface showing my new design;
FIG. 2 is a front elevational view thereof;
FIG. 3 is a rear elevational view thereof;
FIG. 4 is a left side elevational view thereof;
FIG. 5 is a right side elevational view thereof;
FIG. 6 is a top plan view thereof; and,
FIG. 7 is a bottom plan view thereof.

1 Claim, 7 Drawing Sheets

(56) **References Cited**
U.S. PATENT DOCUMENTS
10,378,747 B1 * 8/2019 Hanslip H05B 45/20
D875,692 S * 2/2020 Shi D13/168
D887,374 S * 6/2020 Gong D13/168
D892,064 S * 8/2020 Tang D13/168



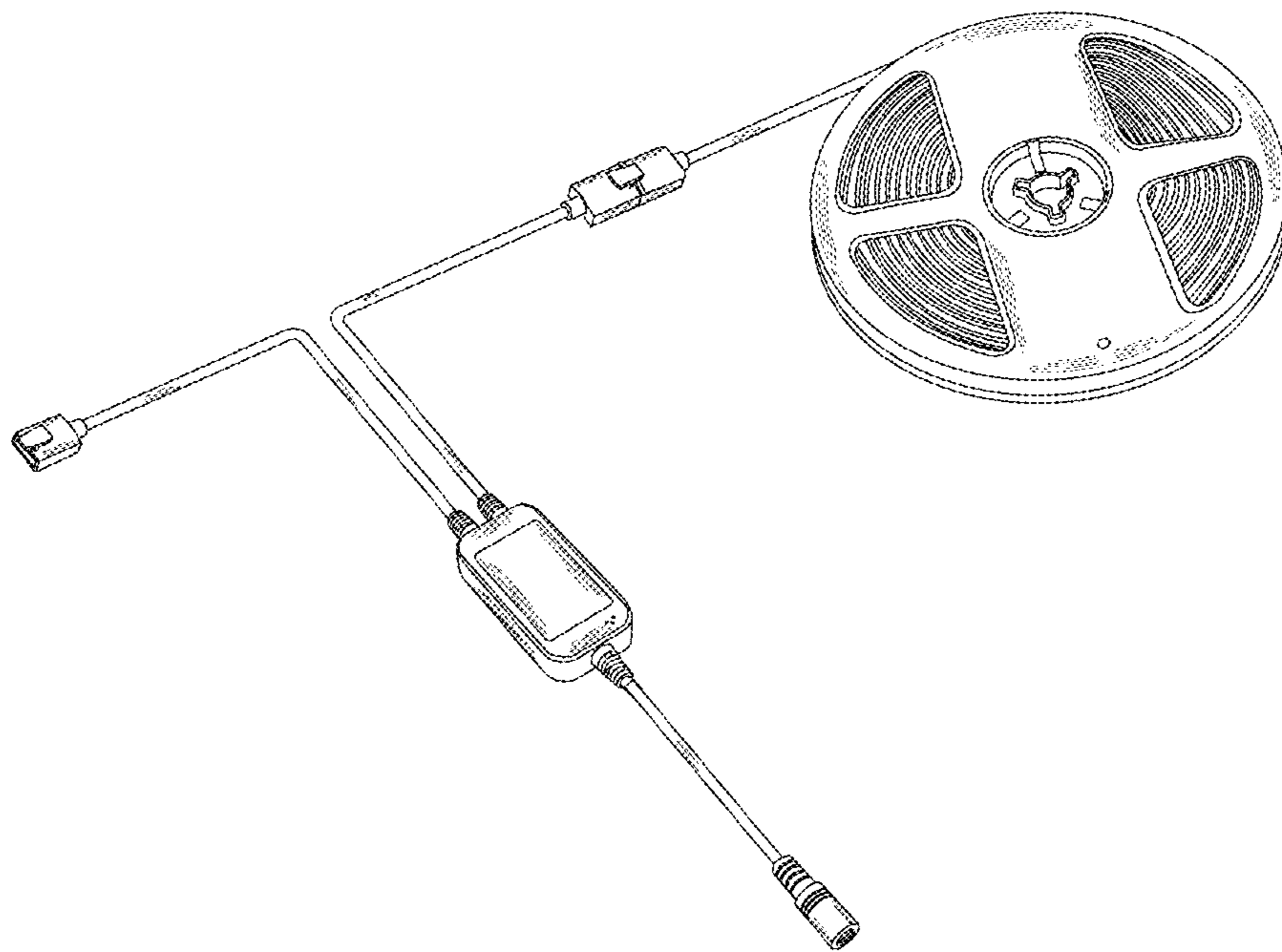


FIG. 1

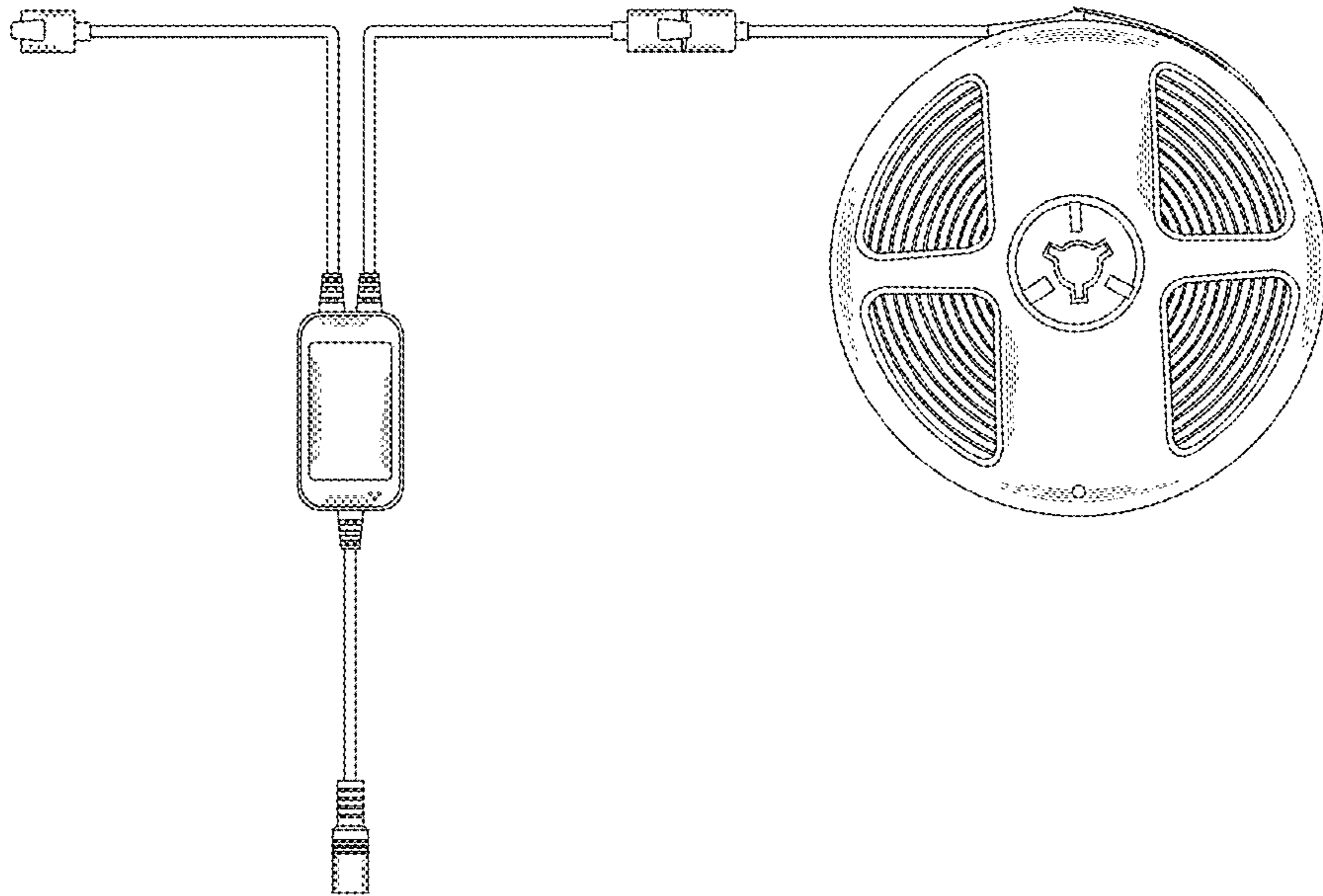


FIG. 2

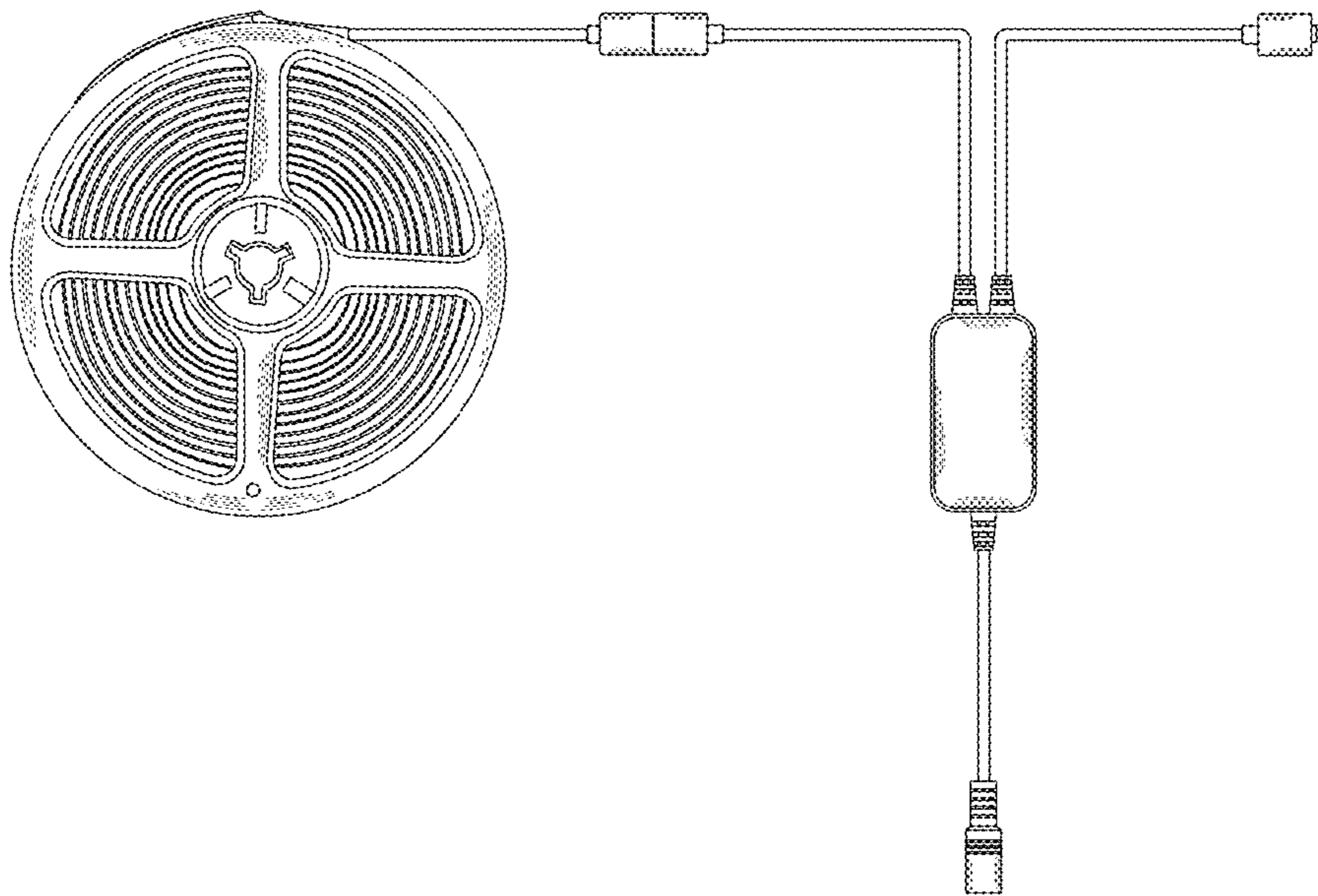


FIG. 3



FIG. 4



FIG. 5

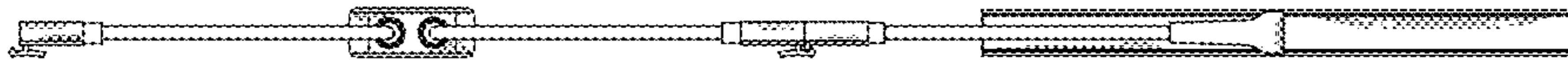


FIG. 6

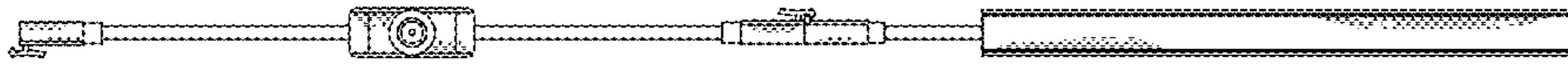


FIG. 7