



US00D976216S

(12) **United States Design Patent**
Mukai et al.

(10) **Patent No.:** **US D976,216 S**
(45) **Date of Patent:** **** Jan. 24, 2023**

- (54) **FUSE**
- (71) Applicant: **Dexerials Corporation**, Tokyo (JP)
- (72) Inventors: **Koichi Mukai**, Tochigi (JP); **Yoshihiro Yoneda**, Tochigi (JP)
- (73) Assignee: **Dexerials Corporation**, Tokyo (JP)
- (**) Term: **15 Years**

D829,115 S 9/2018 Hirose et al.
 D840,950 S * 2/2019 Gattis D13/160
 D880,323 S 4/2020 Takafumi et al.
 (Continued)

FOREIGN PATENT DOCUMENTS

JP 2015035280 A * 2/2015
 JP 2015106542 A * 6/2015 H01H 37/76
 (Continued)

OTHER PUBLICATIONS

Dexerials, Date: Jun. 23, 2021, [online], [site visited Aug. 15, 2022].
 Available from internet, URL: <https://www.dexerials.jp/en/products/surface-mounted-type-fuse/psk062065.html> (Year: 2021).
 (Continued)

- (21) Appl. No.: **29/798,619**
- (22) Filed: **Jul. 9, 2021**
- (30) **Foreign Application Priority Data**
 Jan. 18, 2021 (JP) 2021-000877 D
- (51) **LOC (14) Cl.** **13-03**
- (52) **U.S. Cl.**
 USPC **D13/161; D13/160; D13/182**
- (58) **Field of Classification Search**
 USPC D10/81; D13/103, 107, 118-120, 147,
 D13/158-161, 173, 178, 180, 182-184,
 D13/199; D26/1
 CPC H01H 37/76; H01H 85/06; H01H 85/08;
 H01H 85/0052; H01H 85/0411; H01H
 85/0412; H01H 85/11; H01H 85/17;
 H01H 85/143; H01H 85/175; H01H
 85/1755; H01H 2085/0414
 See application file for complete search history.

Primary Examiner — Shawn T Gingrich
Assistant Examiner — Bryan N. Melvin
 (74) *Attorney, Agent, or Firm* — Kenja IP Law PC

(57) **CLAIM**

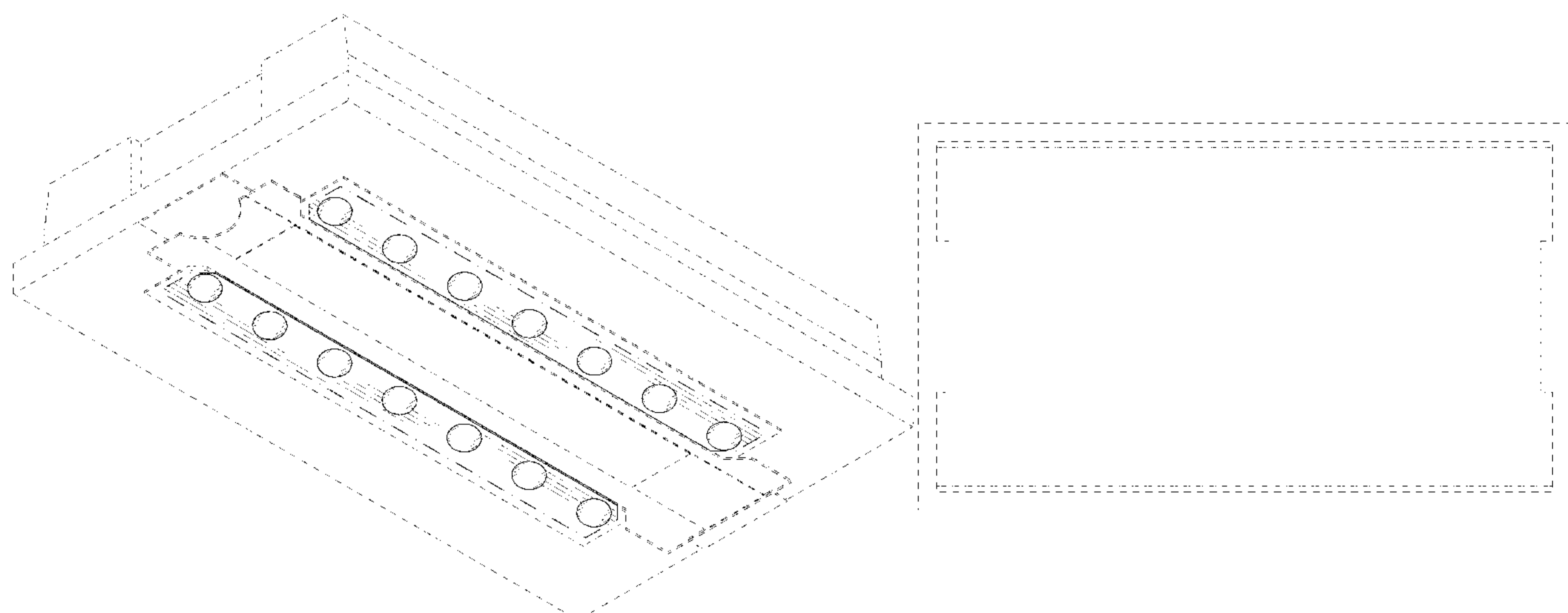
The ornamental design for a fuse, as shown and described.

DESCRIPTION

FIG. 1 is a front perspective view of a fuse showing our new design;
 FIG. 2 is a front view thereof, the rear view being a mirror image thereof;
 FIG. 3 is a right side view thereof;
 FIG. 4 is a left side view thereof;
 FIG. 5 is a top view thereof;
 FIG. 6 is a bottom view thereof; and,
 FIG. 7 is a cross-section view taken along line 7-7 in FIG. 2.

The broken lines in the drawings illustrate features of a fuse that are not being claimed, and form no part of the claimed design. The dash-dot broken lines show the boundary of the claim and form no part of the claimed design.

1 Claim, 6 Drawing Sheets



(56)

References Cited

U.S. PATENT DOCUMENTS

D886,733 S * 6/2020 Warren D13/103
D923,206 S * 6/2021 Zhu D26/1

FOREIGN PATENT DOCUMENTS

JP 2015111526 A * 6/2015
JP 2016134317 A * 7/2016 H01H 37/76
JP 2017022009 A * 1/2017
JP 2017117774 A * 6/2017 H01H 37/76
JP 2018166099 A * 10/2018 H01H 85/0052
JP 2020098755 A 6/2020

OTHER PUBLICATIONS

HC3101592100, SC1233AR3 for Motion Detection/2D Detection
24GHz Radar Sensor, (Socionext Inc.), Aug. 19, 2021, Retrieved
from the Known Design Database of the Japan Patent Office using
Internet, URL: <https://www.j-platpat.inpit.go.jp/d0200>.

* cited by examiner

FIG. 1

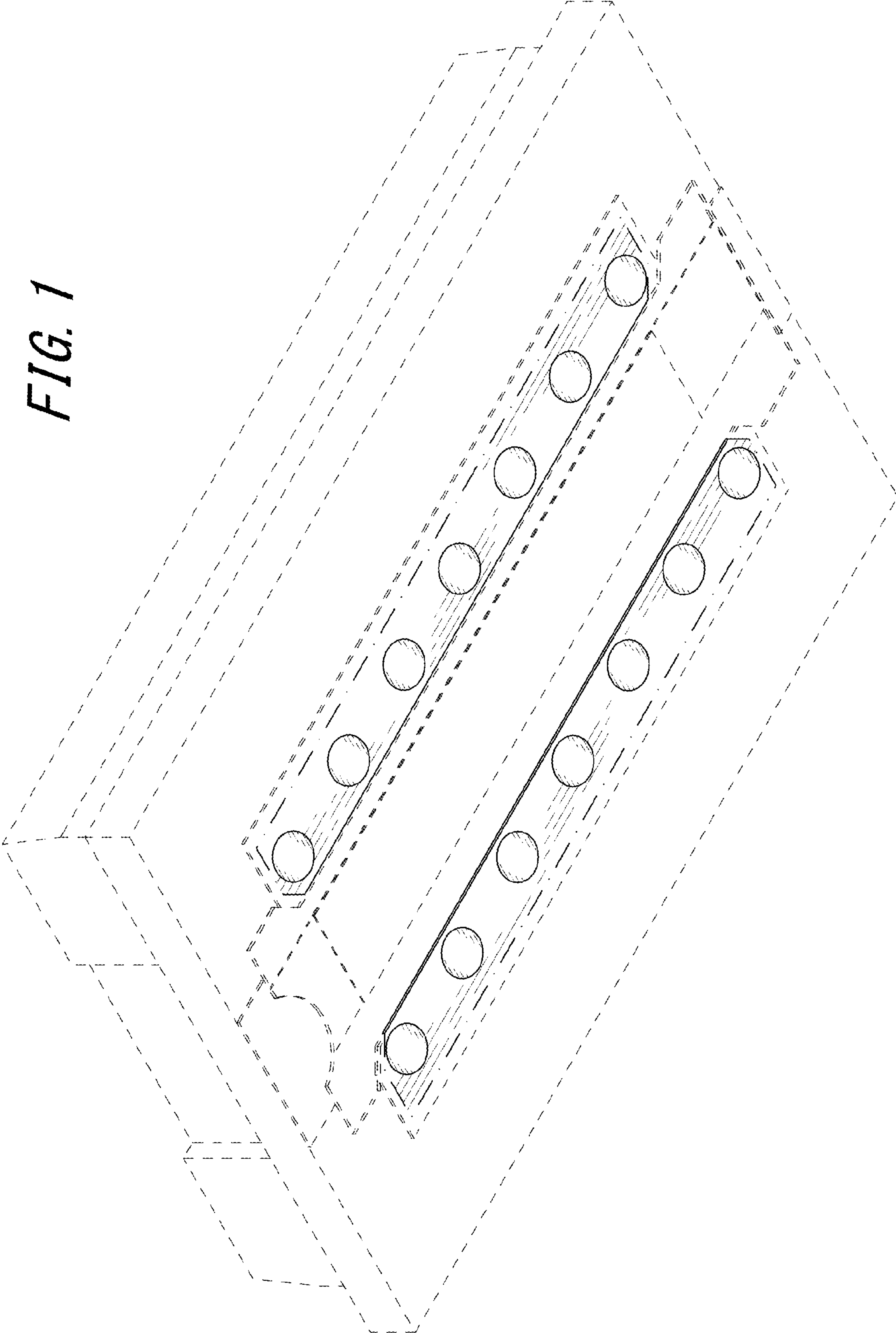


FIG. 2

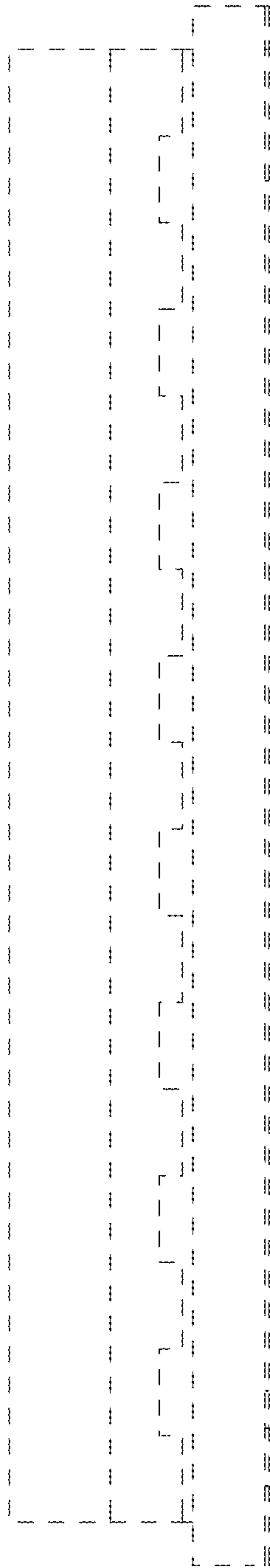


FIG. 3

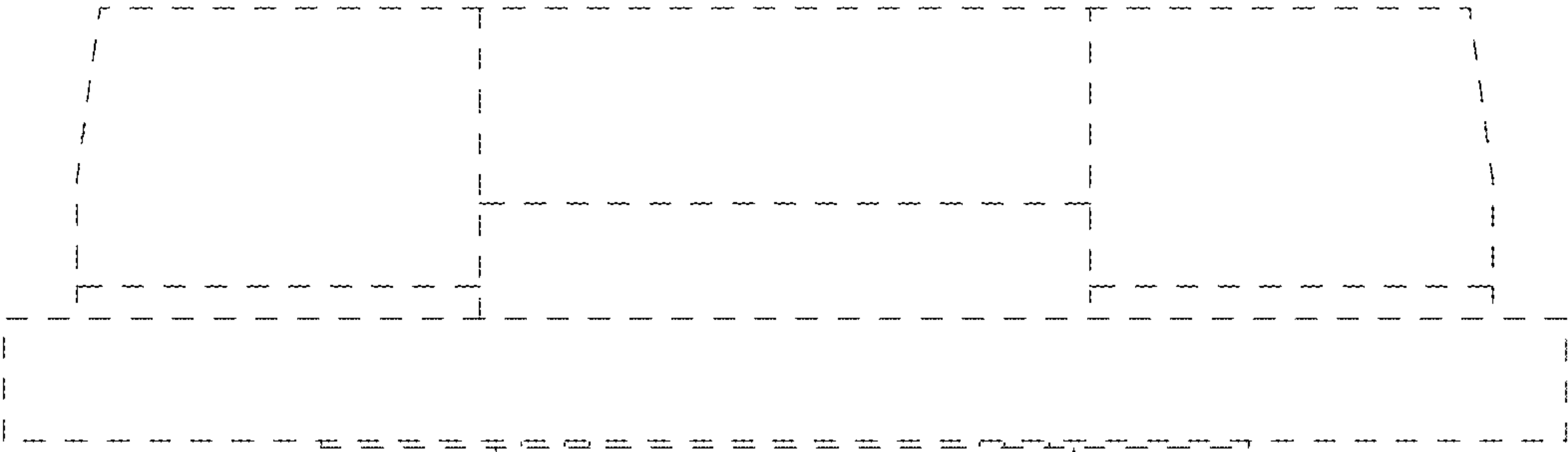


FIG. 4

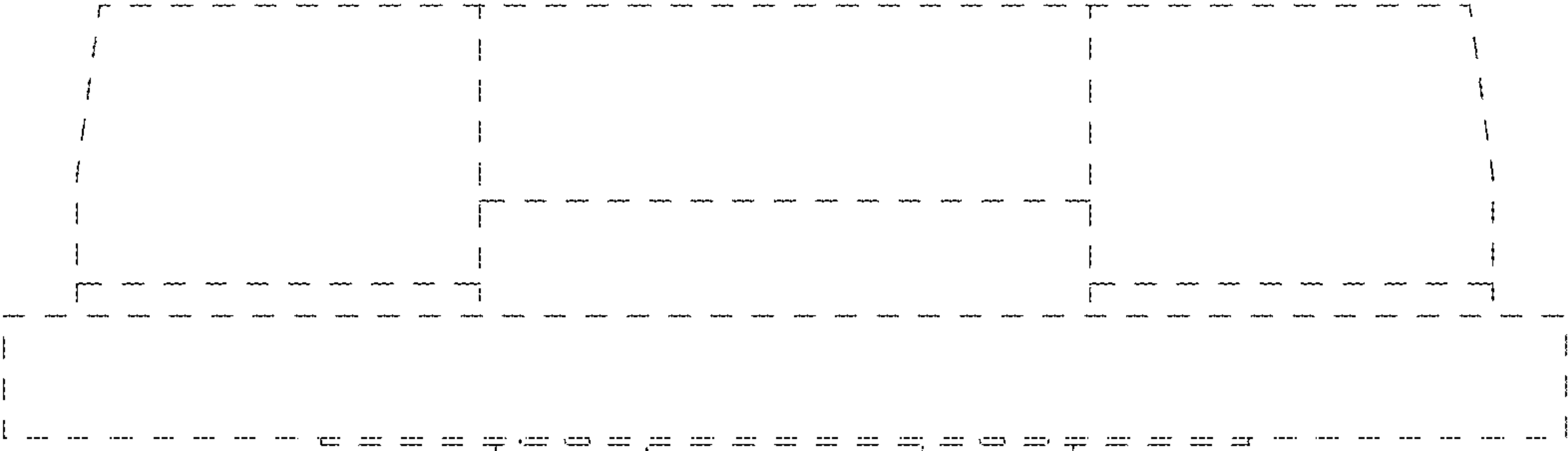


FIG. 5



FIG. 6

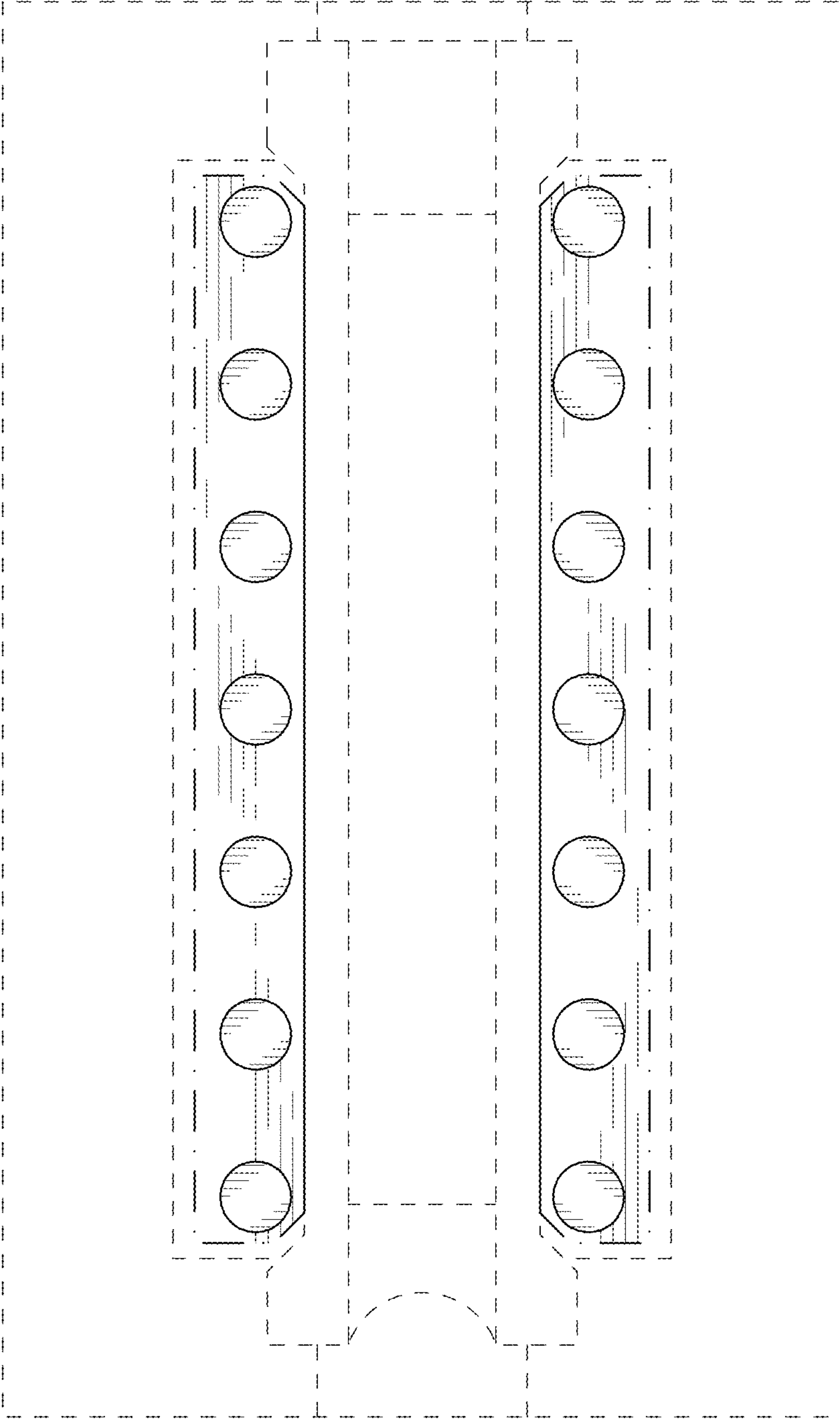


FIG. 7

