



US00D976215S

(12) **United States Design Patent**
Mukai et al.

(10) **Patent No.:** **US D976,215 S**
(45) **Date of Patent:** **** Jan. 24, 2023**

(54) **FUSE**

D840,950 S * 2/2019 Gattis D13/160
D886,733 S * 6/2020 Warren D13/103
D923,206 S * 6/2021 Zhu D26/1

(71) Applicant: **Dexerials Corporation**, Tokyo (JP)

(72) Inventors: **Koichi Mukai**, Tochigi (JP); **Yoshihiro Yoneda**, Tochigi (JP)

(73) Assignee: **Dexerials Corporation**, Tokyo (JP)

(**) Term: **15 Years**

(21) Appl. No.: **29/798,220**

(22) Filed: **Jul. 7, 2021**

(30) **Foreign Application Priority Data**

Jan. 18, 2021 (JP) 2021-000873 D

(51) **LOC (14) Cl.** **13-03**

(52) **U.S. Cl.**
USPC **D13/161; D13/160; D13/182**

(58) **Field of Classification Search**
USPC D10/81; D13/103, 107, 118-120, 147,
D13/158-161, 173, 178, 180, 182-184,
D13/199; D26/1

CPC H01H 37/76; H01H 85/06; H01H 85/08;
H01H 85/0052; H01H 85/0411; H01H
85/0412; H01H 85/11; H01H 85/17;
H01H 85/143; H01H 85/175; H01H
85/1755; H01H 2085/0414

See application file for complete search history.

(56) **References Cited**

U.S. PATENT DOCUMENTS

D416,232 S * 11/1999 Einck D13/160
D416,236 S * 11/1999 Kobayashi D13/182
D475,982 S * 6/2003 Hori D13/182
D602,884 S * 10/2009 Wada D13/180
D695,239 S * 12/2013 Ko D13/180

FOREIGN PATENT DOCUMENTS

JP 2015035280 A * 2/2015
JP 2015076295 A 4/2015
JP 2015106542 A * 6/2015 H01H 37/76

(Continued)

OTHER PUBLICATIONS

Dexerials, Date: Jun. 23, 2021, [online], [site visited Aug. 15, 2022].
Available from internet, URL: <https://www.dexerials.jp/en/products/surface-mounted-type-fuse/psk062065.html> (Year: 2021).*

(Continued)

Primary Examiner — Shawn T Gingrich

Assistant Examiner — Bryan N. Melvin

(74) *Attorney, Agent, or Firm* — Kenja IP Law PC

(57) **CLAIM**

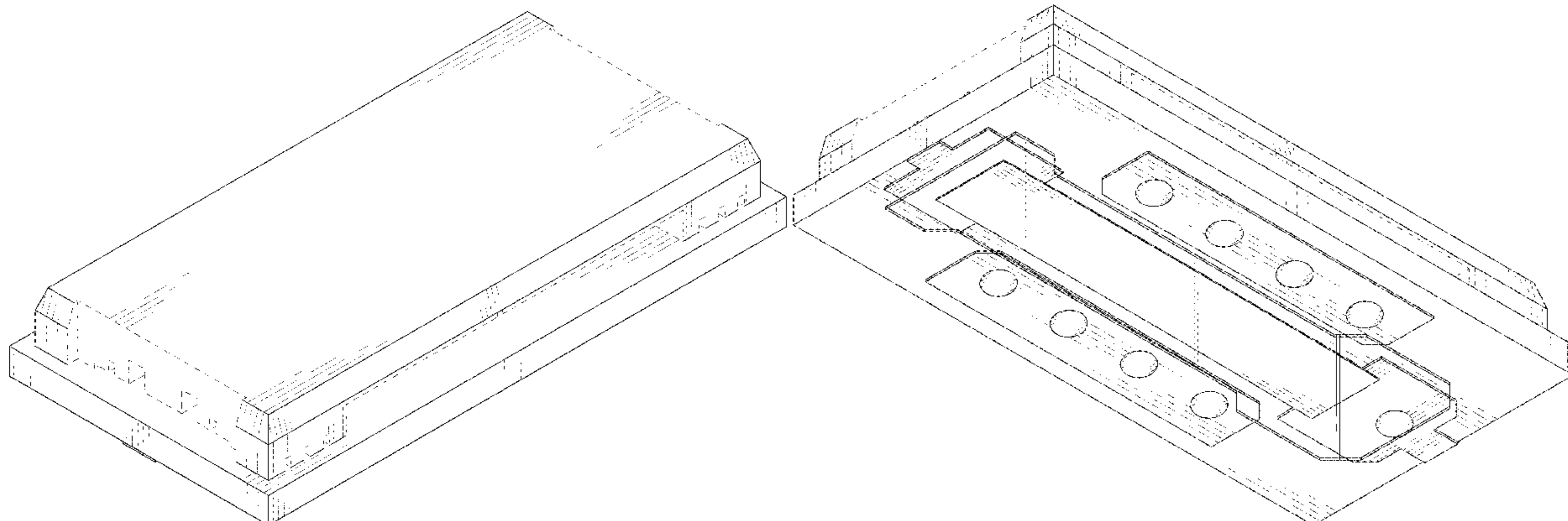
The ornamental design for a fuse, as shown and described.

DESCRIPTION

FIG. 1 is a front perspective view of a fuse showing our new design;
FIG. 2 is a rear perspective view thereof;
FIG. 3 is a front view thereof, the rear view being a mirror image thereof;
FIG. 4 is a right side view thereof;
FIG. 5 is a left side view thereof;
FIG. 6 is a top view thereof;
FIG. 7 is a bottom view thereof; and,
FIG. 8 is a cross-section view taken along line 8-8 in FIG. 3.

The broken lines in the drawings illustrate features of a fuse that are not being claimed, and form no part of the claimed design.

1 Claim, 7 Drawing Sheets



(56)

References Cited

FOREIGN PATENT DOCUMENTS

JP	2015111526	A	*	6/2015	
JP	2016134317	A	*	7/2016 H01H 37/76
JP	2017022009	A	*	1/2017	
JP	2017117774	A	*	6/2017 H01H 37/76
JP	2018166099	A	*	10/2018 H01H 85/0052
JP	2020098755	A		6/2020	

OTHER PUBLICATIONS

HA1701886300, Transistor Gijutsu, (CQ Publishing Co.,Ltd.), Feb. 3, 2006, Retrieved from the Known Design Database of the Japan Patent Office using Internet, URL: <https://www.j-platpat.inpit.go.jp/d0200>.

HC0301363600, Nikkan Kogyo Shimbun New Equipment Material Information, (The Nikkan Kogyo Shimbun,Ltd. (The Daily Industrial News)), Dec. 13, 1999, Retrieved from the Known Design Database of the Japan Patent Office using Internet, URL: <https://www.j-platpat.inpit.go.jp/d0200>.

HC1702453300, Elecut Catalog O_Series vol. 1 (Nikkan Kogyo Shimbun Oct. 21, 2004 P7 With Photo), (Shinkoh Electric Co., Ltd.), Sep. 9, 2005, Retrieved from the Known Design Database of the Japan Patent Office using Internet, URL: <https://www.j-platpat.inpit.go.jp/d0200>.

* cited by examiner

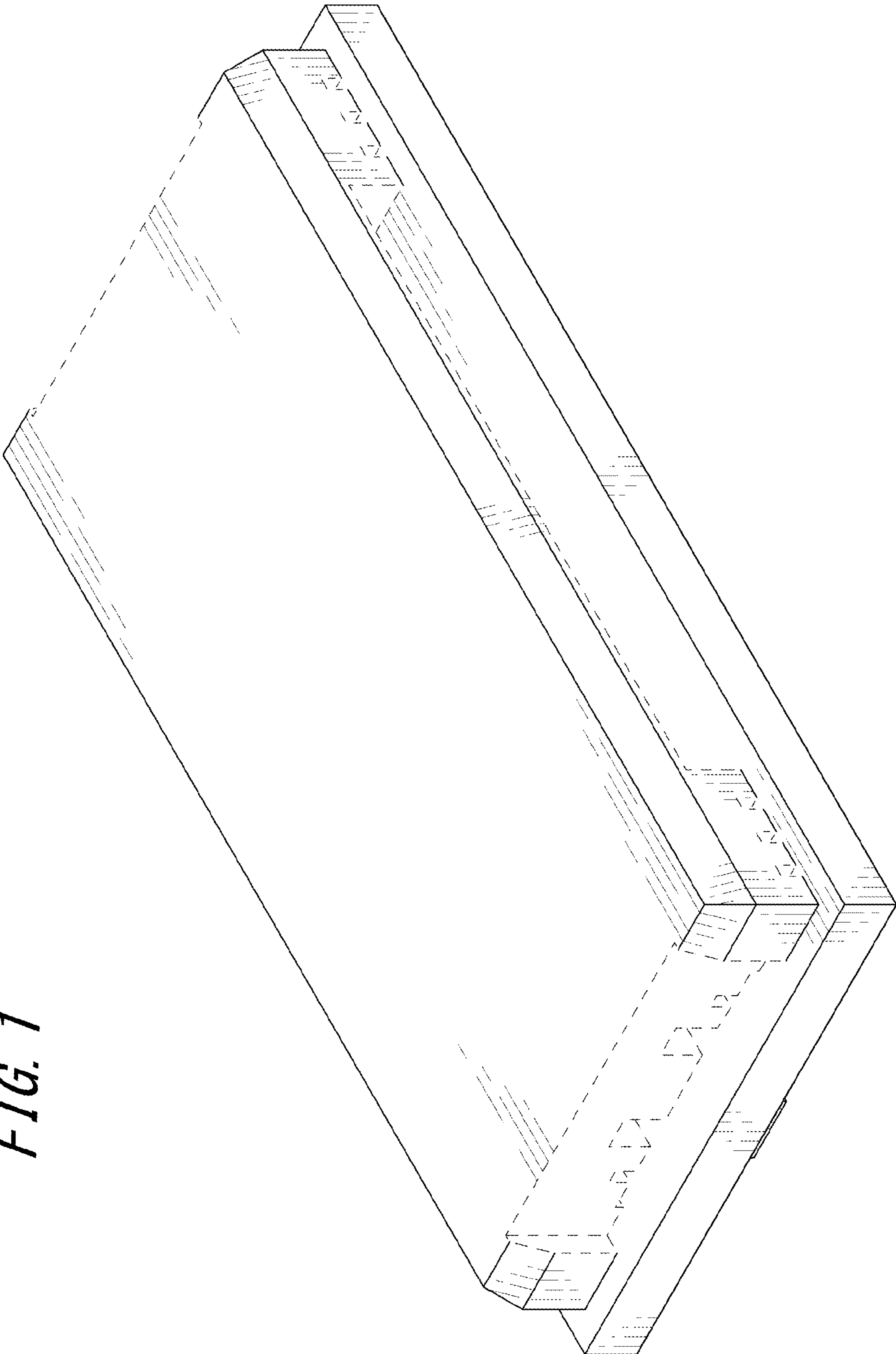


FIG. 1

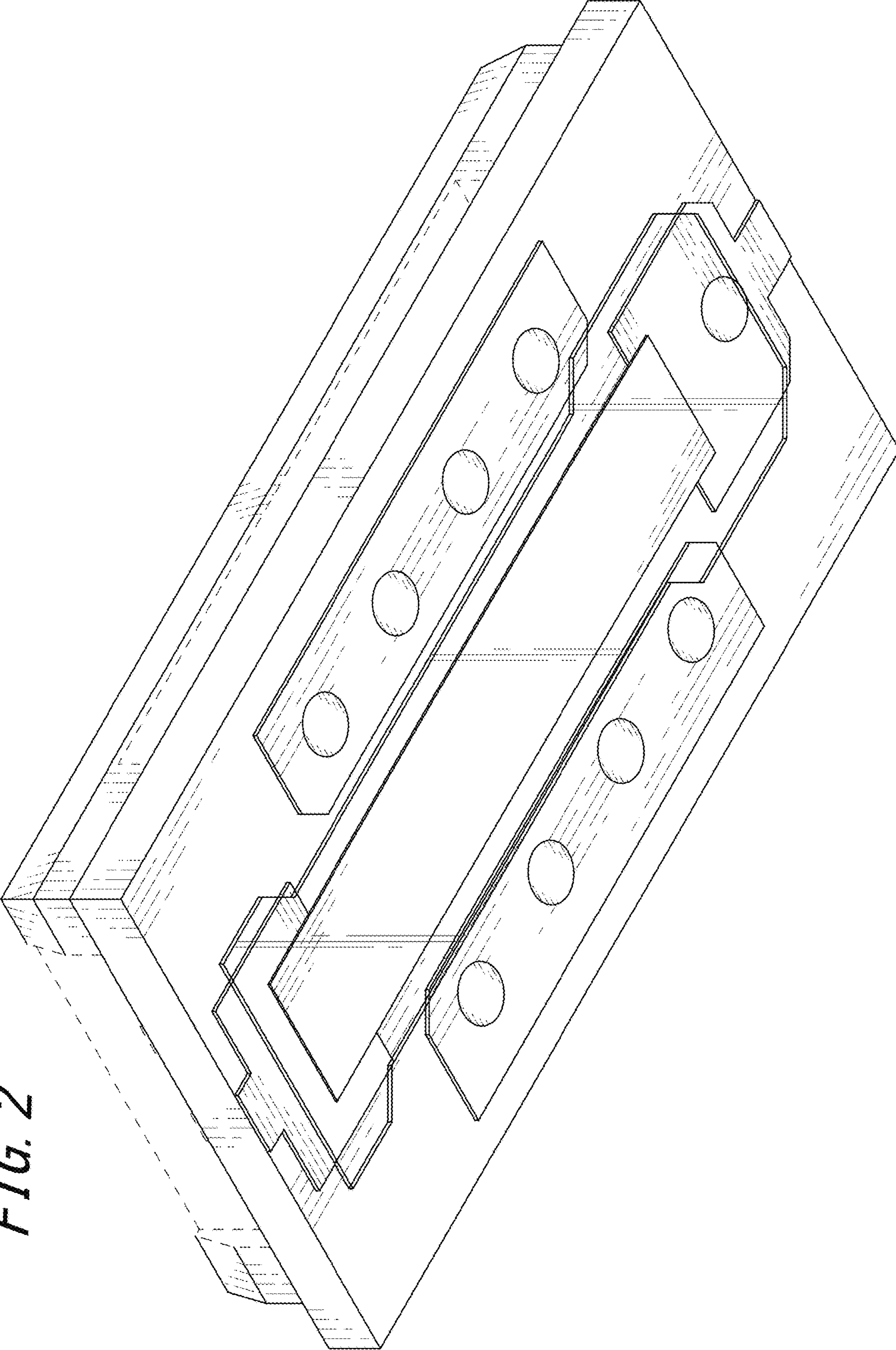
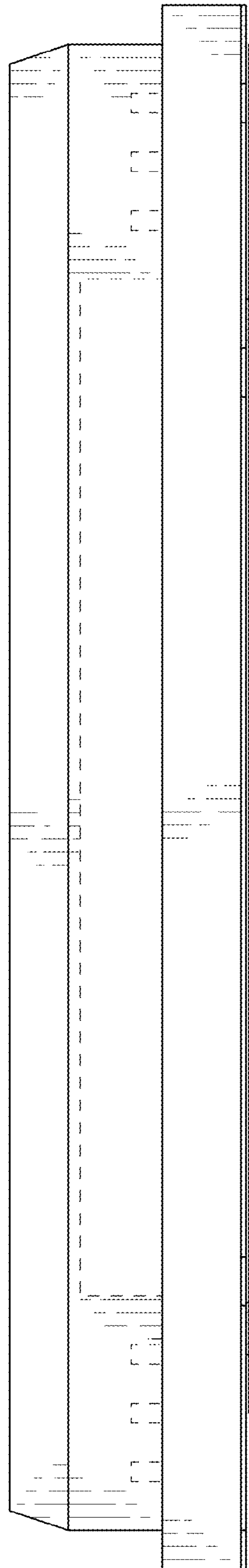


FIG. 2

FIG. 3

8
↑



8
↑

FIG. 4

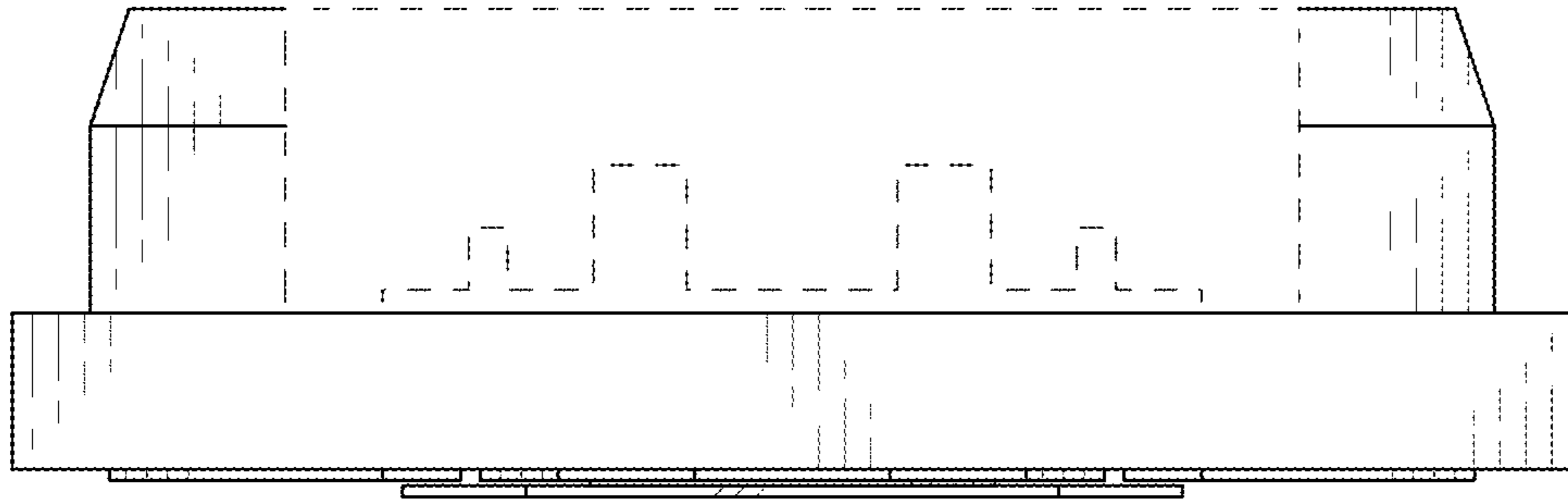


FIG. 5

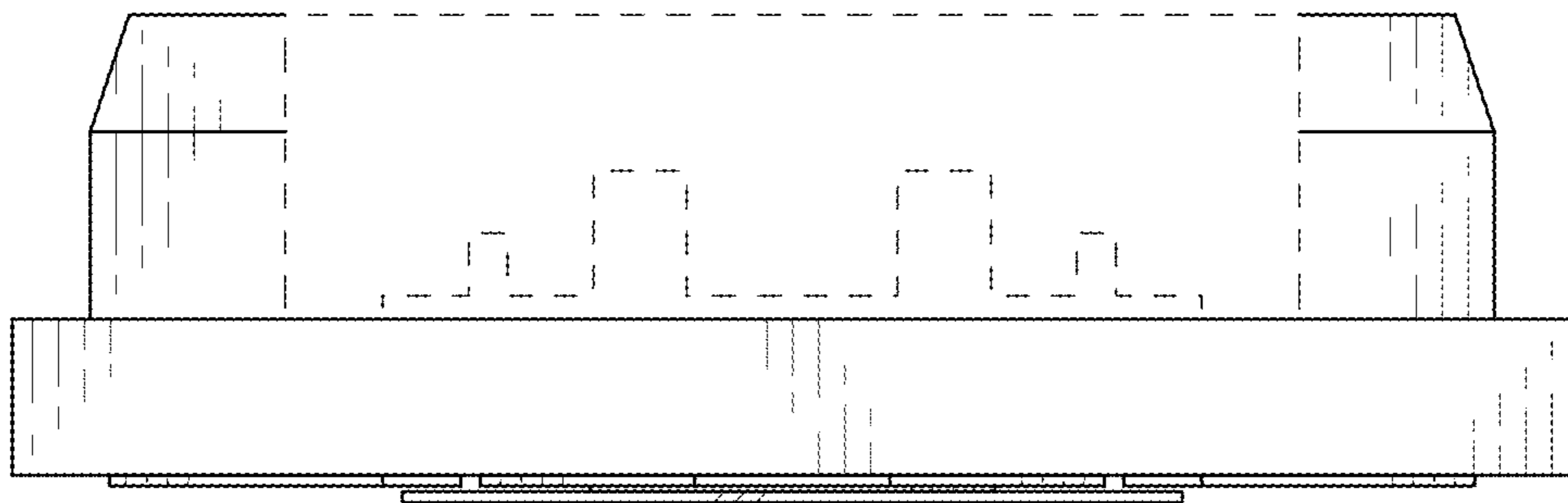


FIG. 6

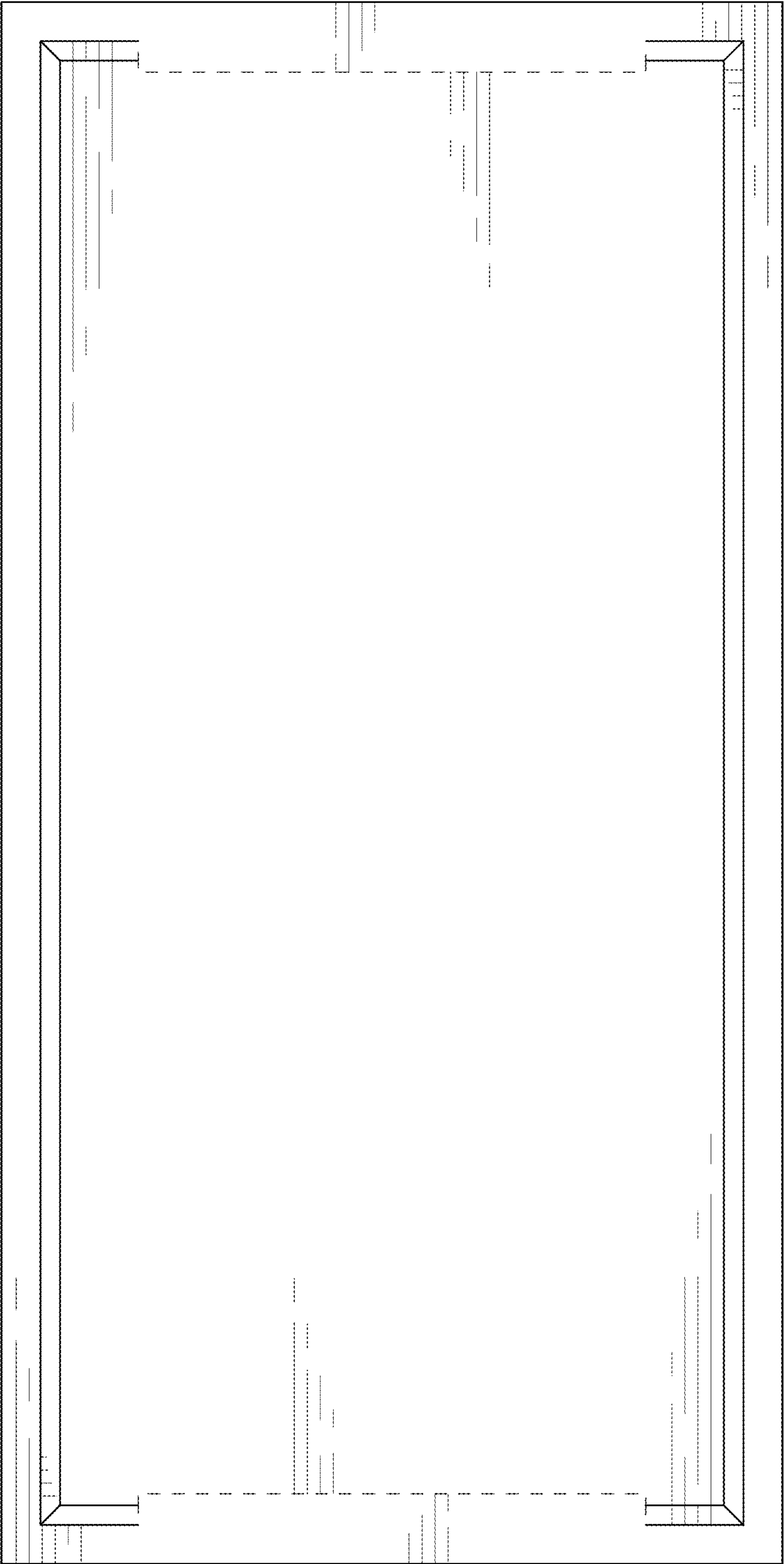


FIG. 7

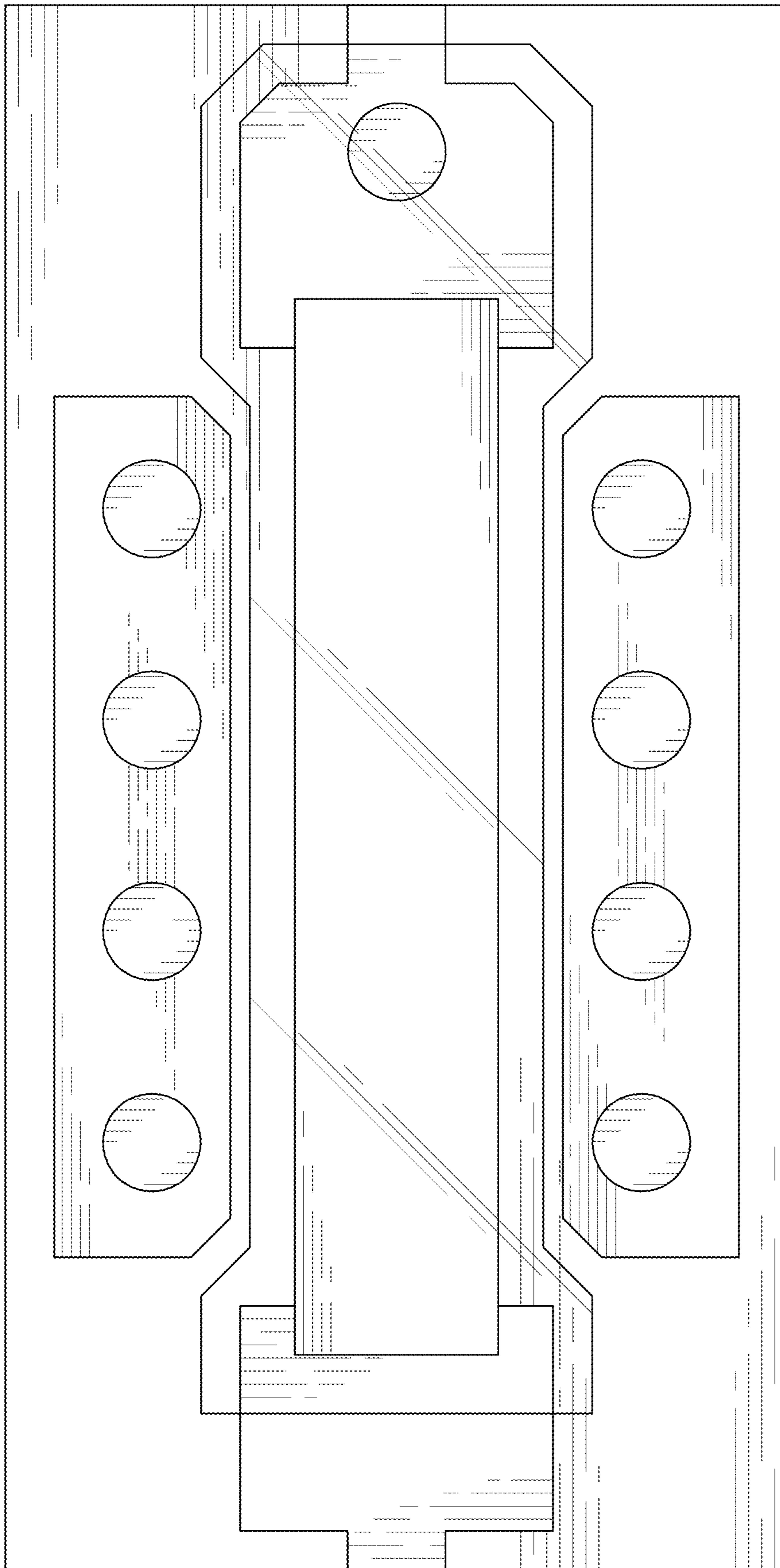


FIG. 8

