



US00D976212S

(12) **United States Design Patent**
Wang

(10) **Patent No.:** **US D976,212 S**
(45) **Date of Patent:** **** Jan. 24, 2023**

(54) **SURGE PROTECTOR**

(71) Applicant: **ZHUHAI TESSAN POWER TECHNOLOGY CO., LTD.**, Zhuhai (CN)

(72) Inventor: **Guiming Wang**, Liaoyuan (CN)

(73) Assignee: **ZHUHAI TESSAN POWER TECHNOLOGY CO., LTD.**, Zhuhai (CN)

(**) Term: **15 Years**

(21) Appl. No.: **29/783,408**

(22) Filed: **May 13, 2021**

(51) **LOC (14) Cl.** **13-03**

(52) **U.S. Cl.**
USPC **D13/139.8**

(58) **Field of Classification Search**
USPC D13/137.1, 137.2, 137.3, 137.4, 138.1, D13/138.2, 139.1, 139.2, 139.3, 139.4, D13/139.5, 139.6, 139.7, 139.8
(Continued)

(56) **References Cited**

U.S. PATENT DOCUMENTS

D644,180 S * 8/2011 Lee D13/139.8
D673,503 S * 1/2013 Lee D13/139.8
(Continued)

FOREIGN PATENT DOCUMENTS

GB 6090783 * 5/2020
GB 6097887 * 8/2020
GB 6115167 * 1/2021

OTHER PUBLICATIONS

“Power Strip Surge Protector with USB, 8 Widely Outlets 4 USB Ports 5Ft Extension Cord with Flat Plug, 3 Sided Wall Outlets Extender USB Desktop Charging Station for Home Office Travel,

900J, ETL”, first available Nov. 13, 2021. Amazon.com [https://www.amazon.com/dp/B09HXFN9G3] (Year: 2021).*

(Continued)

Primary Examiner — Rosemary K Tarcza
Assistant Examiner — Seth David Kumpf
(74) *Attorney, Agent, or Firm* — Nitin Kaushik

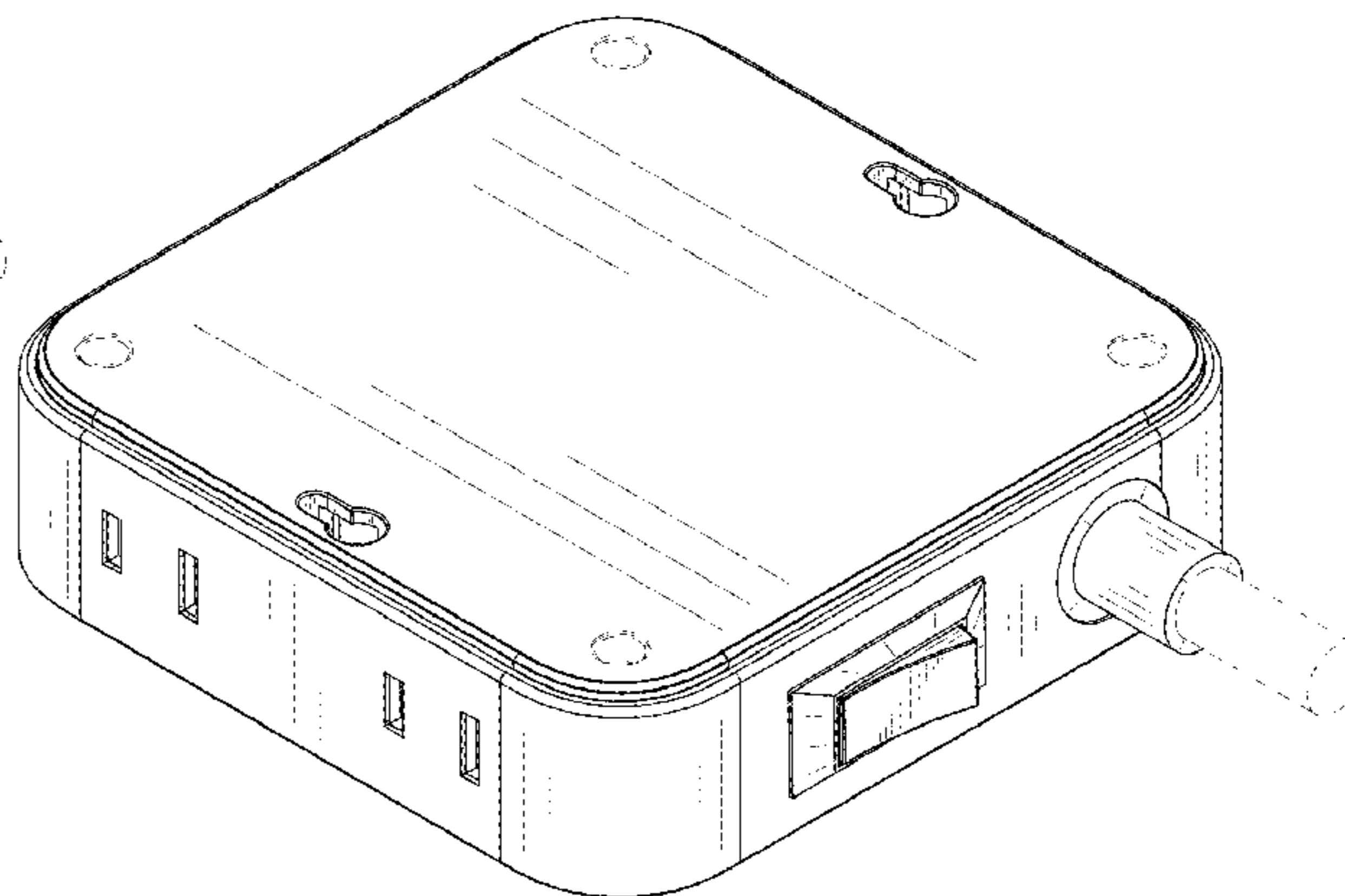
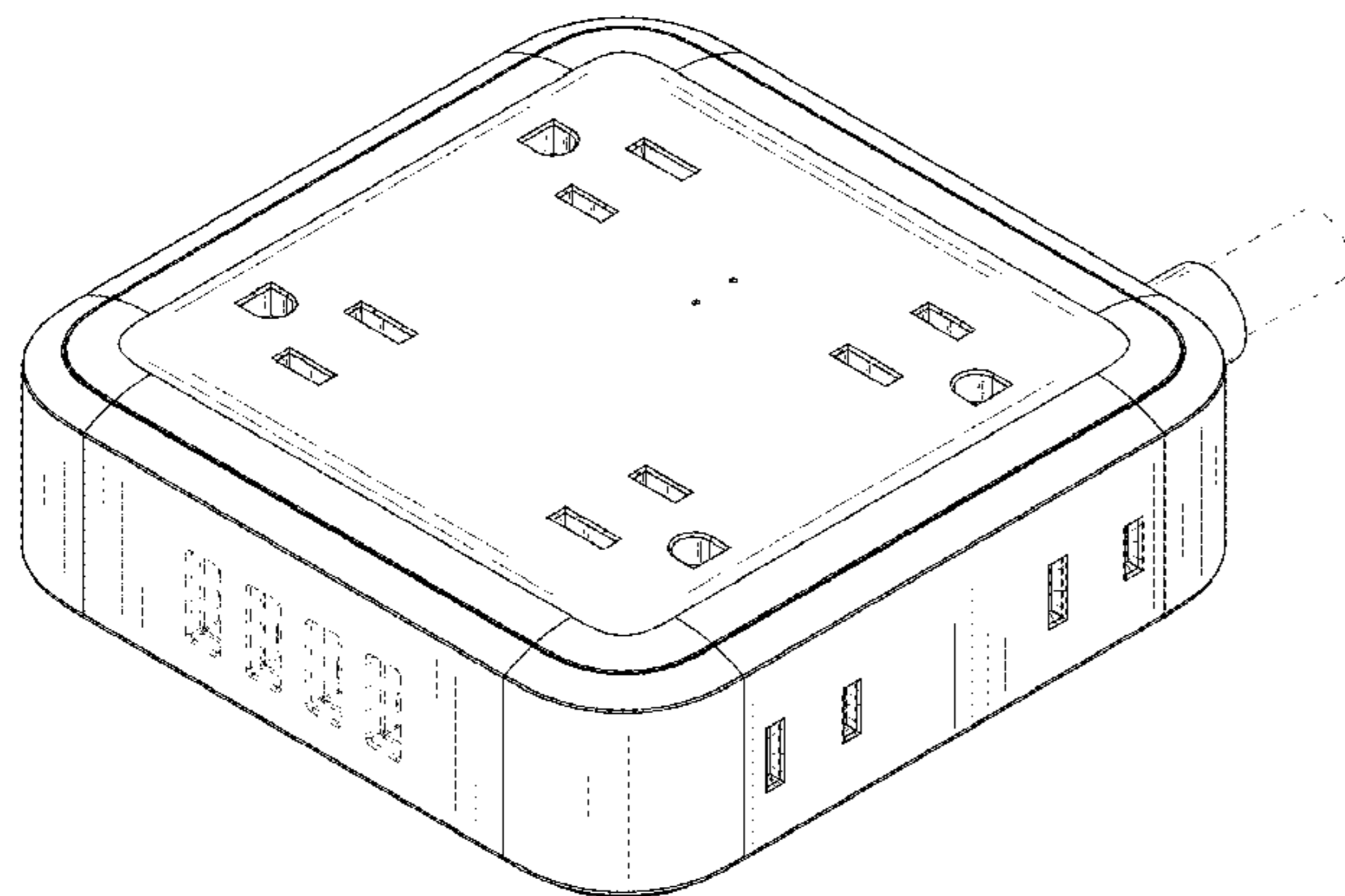
(57) **CLAIM**

The ornamental design for a surge protector, as shown and described.

DESCRIPTION

FIG. 1 is a perspective view of a first embodiment of a surge protector showing my new design;
FIG. 2 is a front elevational view thereof;
FIG. 3 is a rear elevational view thereof;
FIG. 4 is a left side elevational view thereof;
FIG. 5 is a right side elevational view thereof;
FIG. 6 is a top plan view thereof;
FIG. 7 is a bottom plan view thereof;
FIG. 8 is another perspective view thereof;
FIG. 9 is a perspective view of a second embodiment of the surge protector showing my new design;
FIG. 10 is a front elevational view thereof;
FIG. 11 is a rear elevational view thereof;
FIG. 12 is a left side elevational view thereof;
FIG. 13 is a right side elevational view thereof;
FIG. 14 is a top plan view thereof; and
FIG. 15 is a bottom plan view thereof;
FIG. 16 is another perspective view thereof;
FIG. 17 is a perspective view of a third embodiment of the surge protector showing my new design;
FIG. 18 is a front elevational view thereof;
FIG. 19 is a rear elevational view thereof;
FIG. 20 is a left side elevational view thereof;
FIG. 21 is a right side elevational view thereof;
FIG. 22 is a top plan view thereof; and
FIG. 23 is a bottom plan view thereof; and
FIG. 24 is another perspective view thereof.

(Continued)



The broken lines in the drawings depict boundaries of the surge protector that form no part of the claimed design.

1 Claim, 24 Drawing Sheets

(58) Field of Classification Search

CPC H01R 13/11; H01R 13/518; H01R 13/642;
H01R 13/652; H01R 25/003; H01R
25/006; H01R 43/26; H01H 71/62; H01H
73/14

See application file for complete search history.

(56) References Cited

U.S. PATENT DOCUMENTS

D705,732 S * 5/2014 Lee D13/137.2
D770,976 S * 11/2016 Xu D13/110
D796,445 S * 9/2017 Xu D13/139.6
D828,304 S 9/2018 Chen
D871,344 S * 12/2019 Lyu D13/139.8
D878,299 S * 3/2020 Lyu D13/139.8
D878,300 S * 3/2020 Lyu D13/139.8
D881,809 S * 4/2020 Lyu D13/137.2
D881,821 S * 4/2020 Lyu D13/139.8
D886,064 S 6/2020 Chen
D886,742 S * 6/2020 Lyu D13/137.2
D899,375 S * 10/2020 Bao D13/137.2
D900,748 S * 11/2020 Chen D13/137.2
D908,631 S * 1/2021 Yu D13/137.2

D922,953 S * 6/2021 Mei D13/139.8
D922,954 S * 6/2021 Mei D13/139.8
D922,955 S * 6/2021 Chen D13/139.8
D924,809 S * 7/2021 Chen D13/137.2
D930,946 S * 9/2021 Chen D1/100
D941,774 S * 1/2022 Tao D13/139.6
D944,741 S * 3/2022 Chen D13/137.2
D947,781 S * 4/2022 Wei D13/137.2
D948,451 S * 4/2022 Wang D13/139.8
D948,452 S * 4/2022 Wu D13/139.8
D954,650 S * 6/2022 Amoss D13/137.2
D957,342 S * 7/2022 Zhou D13/137.2
D958,082 S * 7/2022 Lin D13/139.7

OTHER PUBLICATIONS

“Power Strip with 3 USB Ports, Tessian 5 ft Extension Cord Flat Plug with 4 Outlets, Overload Protection Indoor Desk Charging Station, Mountable Compact for Travel, Cruise Ship, and Dorm Essentials”, first available Oct. 30, 2019. Amazon.com [<https://www.amazon.com/dp/B07ZRDF6Y>] (Year: 2019).*

“Power Strip with USB, Tessian Flat Plug Extension Cord Wall Mountable, Small Compact Size for Home Office, Gray”, first available Nov. 19, 2021. Amazon.com [<https://www.amazon.com/dp/B09M89L9FT>] (Year: 2021).*

“Surge Protector Power Strip, HANYCONY 8 Wide Outlets with 4 USB Charging Ports, 3 Side Outlet Extender with 5Ft Braided Extension Cord, Flat Plug, Wall Mount, Desk Charging Station for Home Office ETL”, first available May 31, 2021. Amazon.com [<https://www.amazon.com/dp/B092J8LPWR>] (Year: 2021).*

* cited by examiner

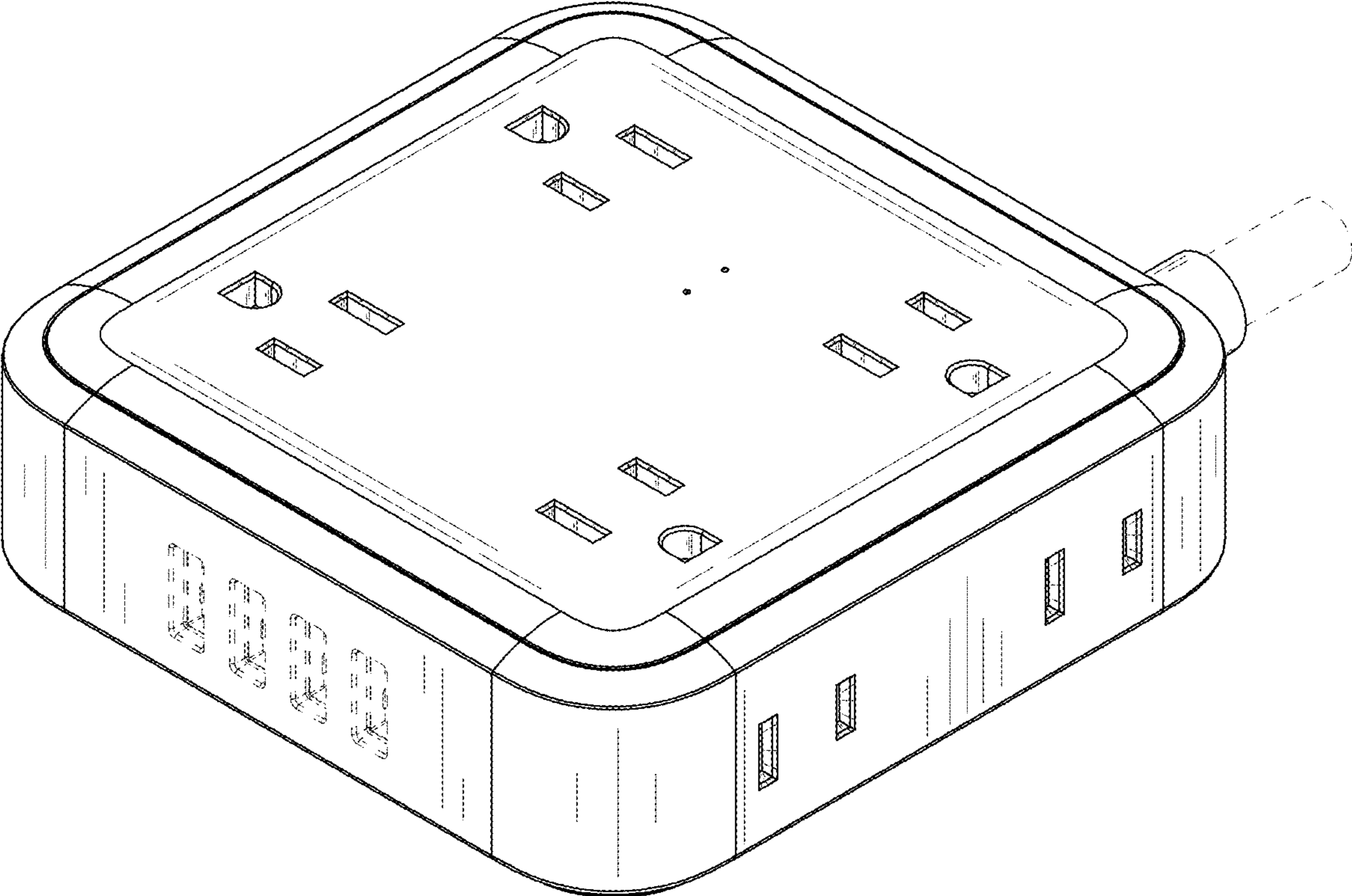


FIG. 1

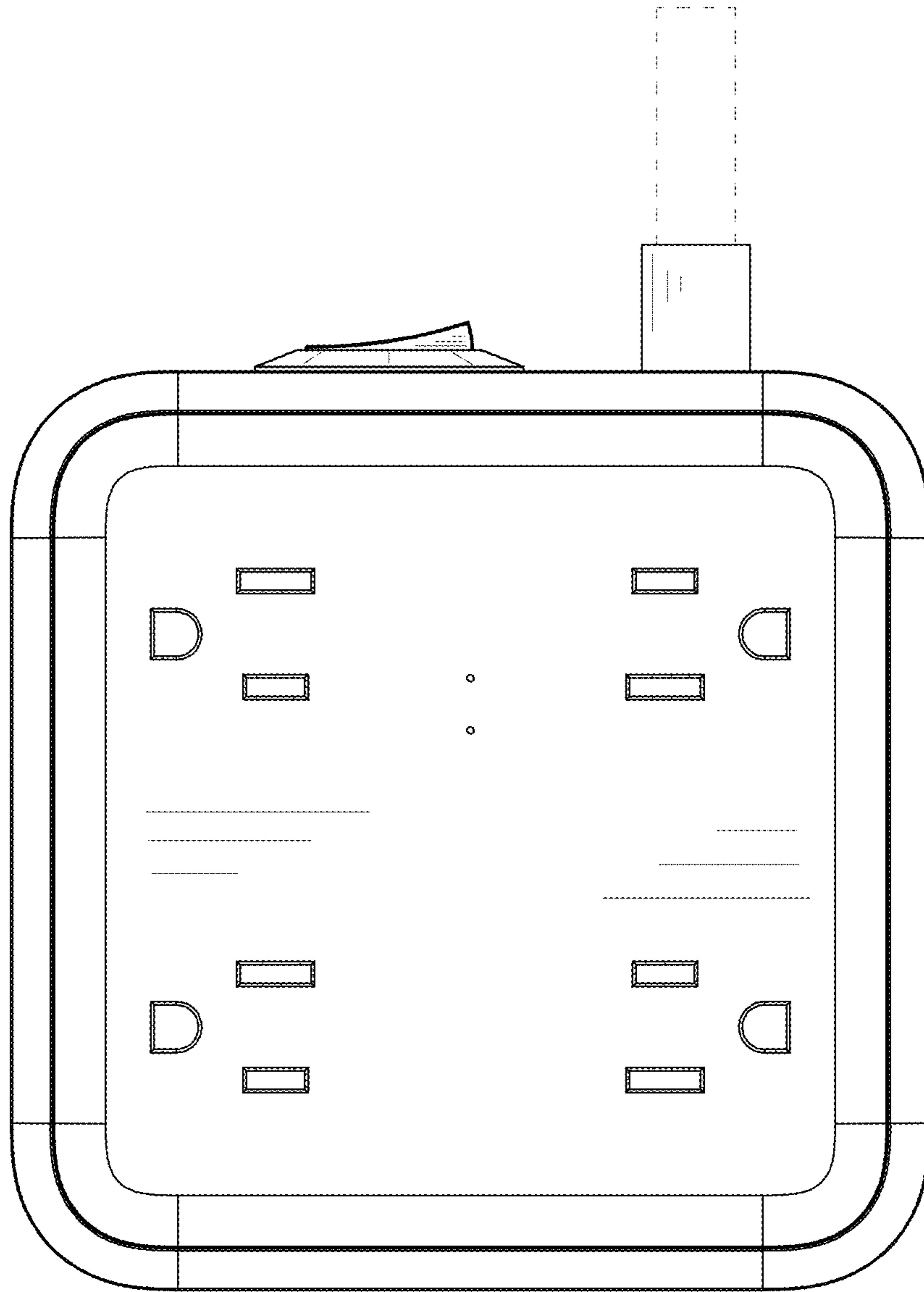


FIG. 2

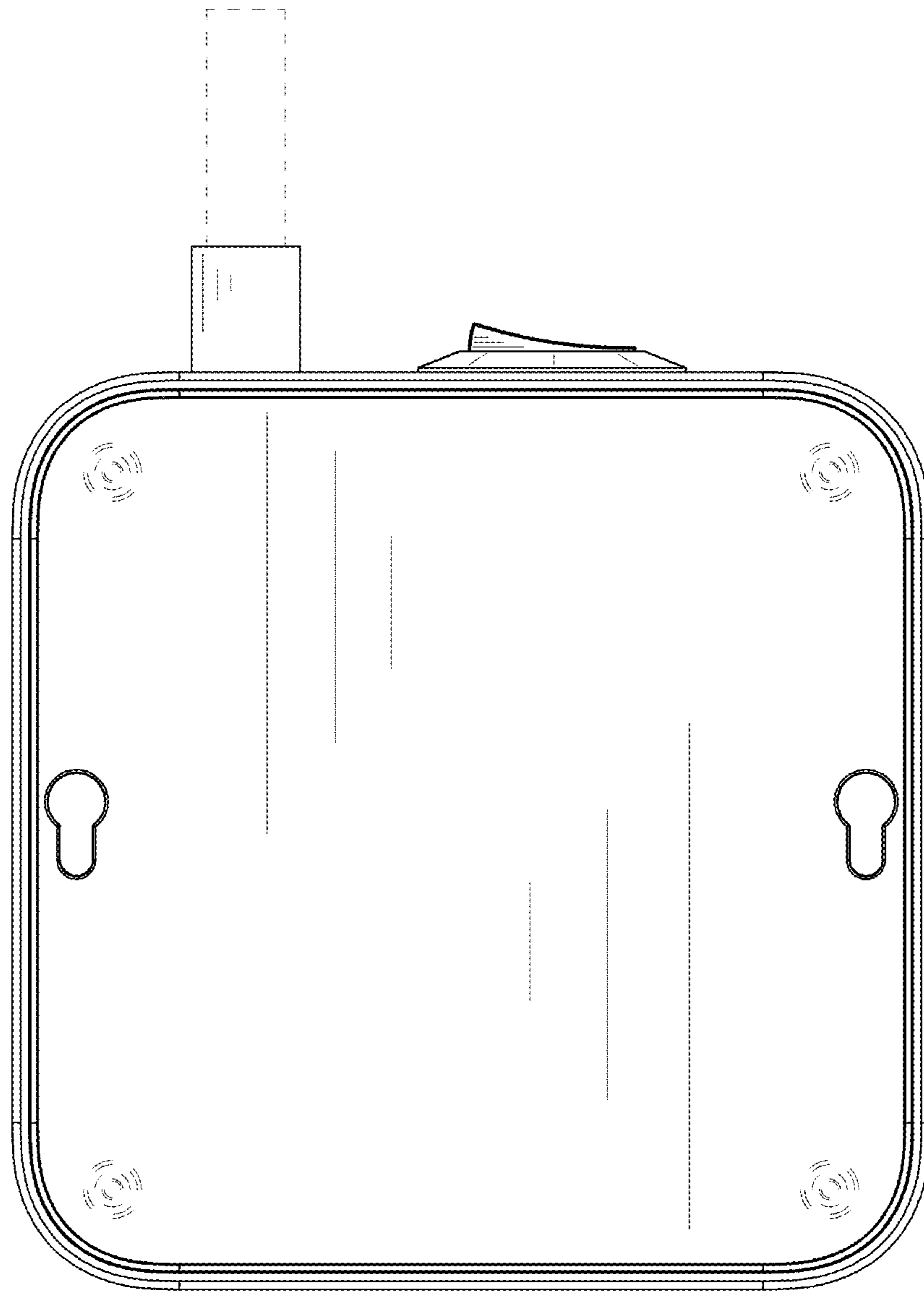


FIG. 3

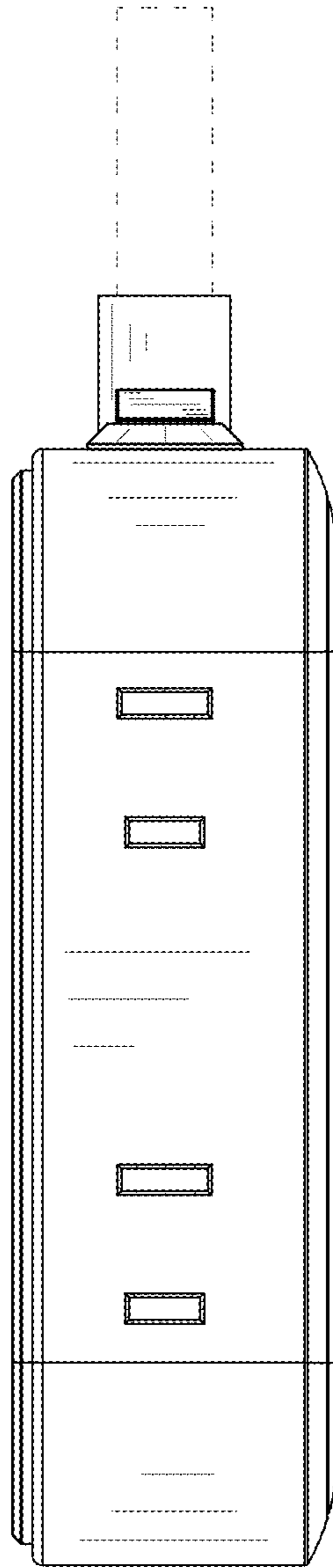


FIG. 4

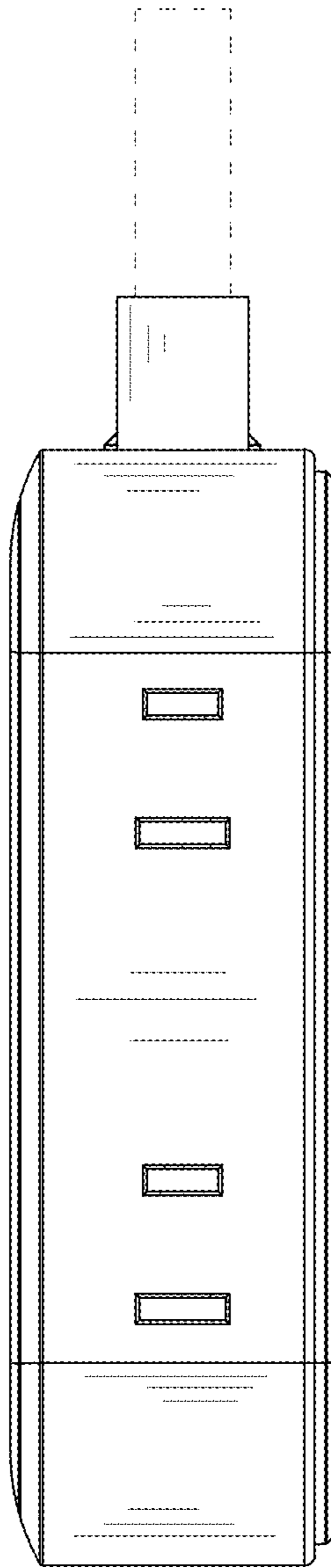


FIG. 5

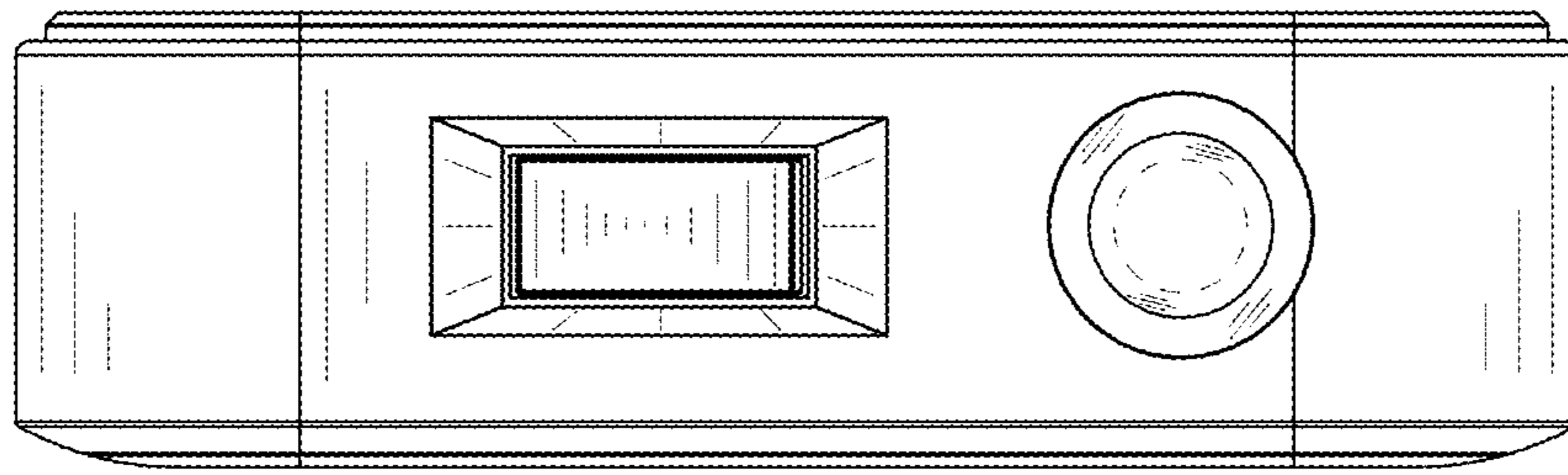


FIG. 6

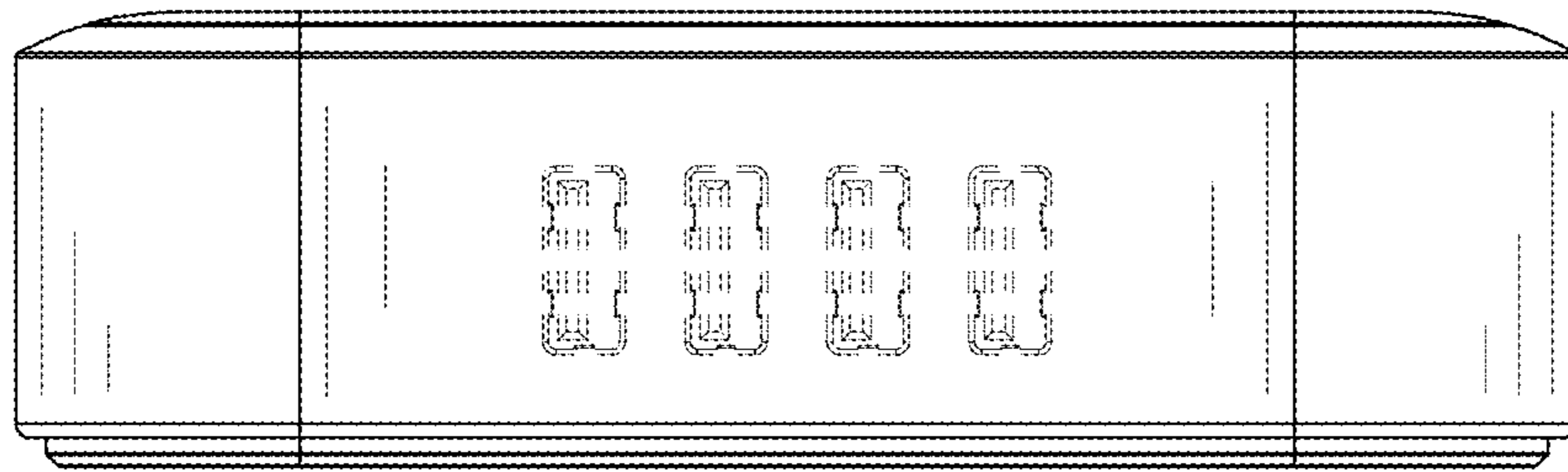


FIG. 7

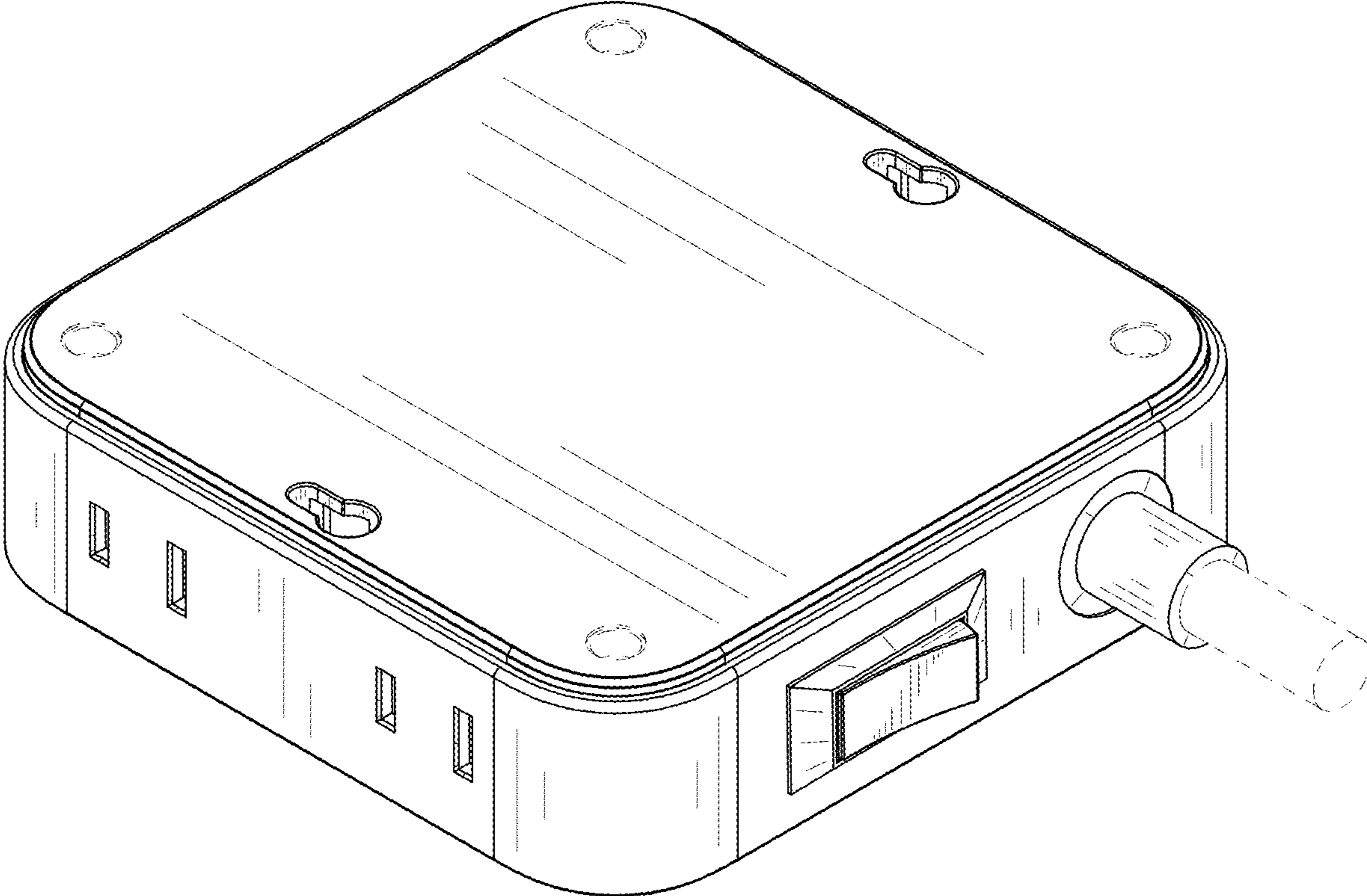


FIG. 8

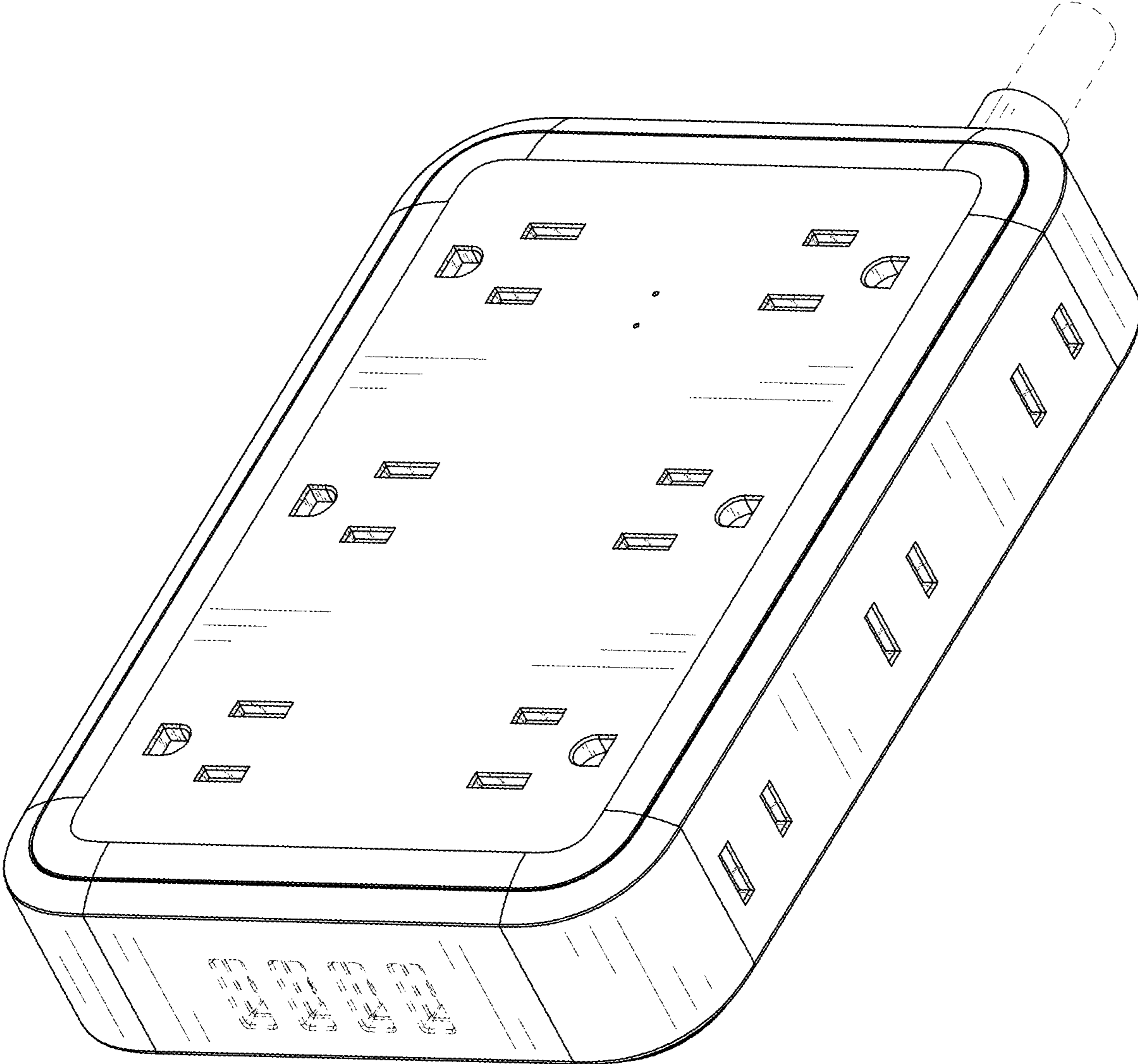


FIG. 9

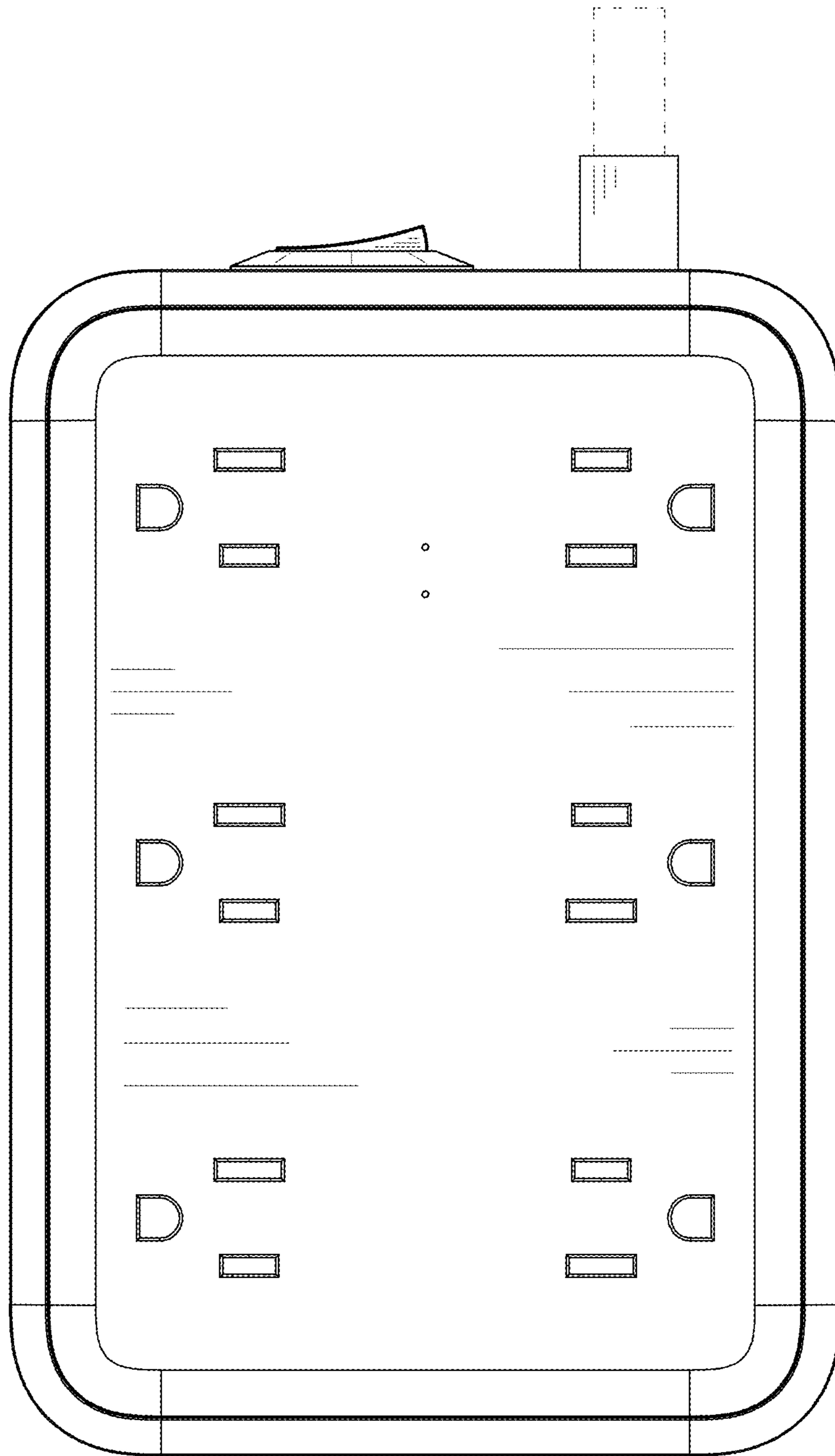


FIG. 10

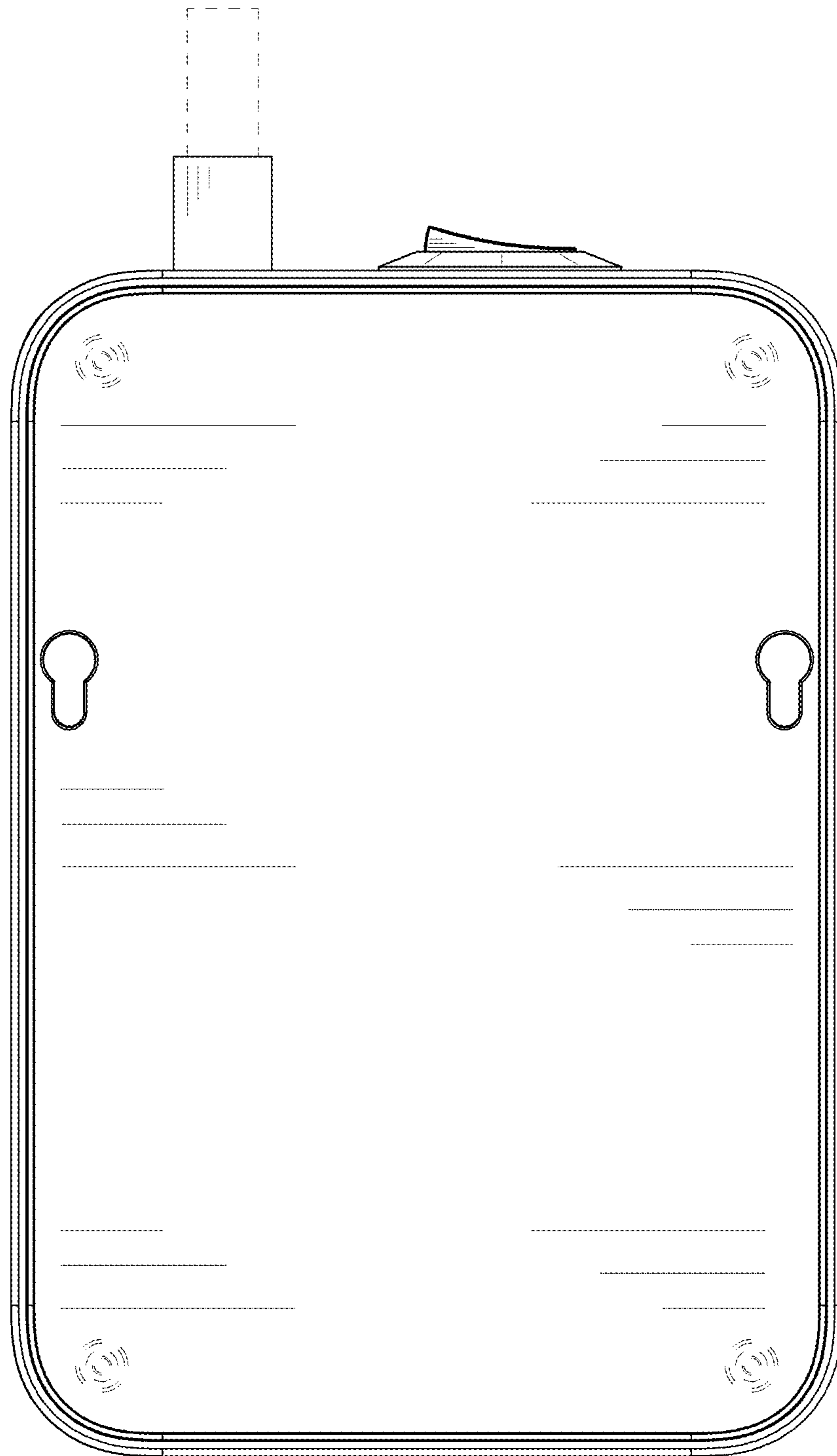


FIG. 11

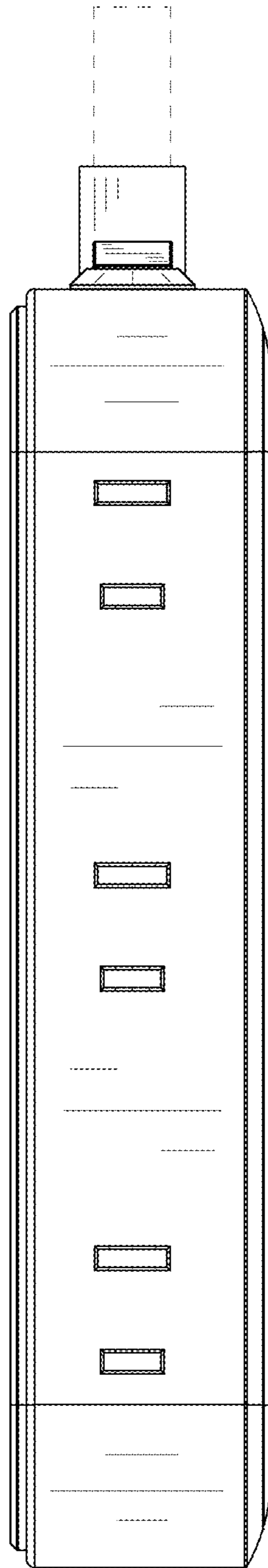


FIG. 12

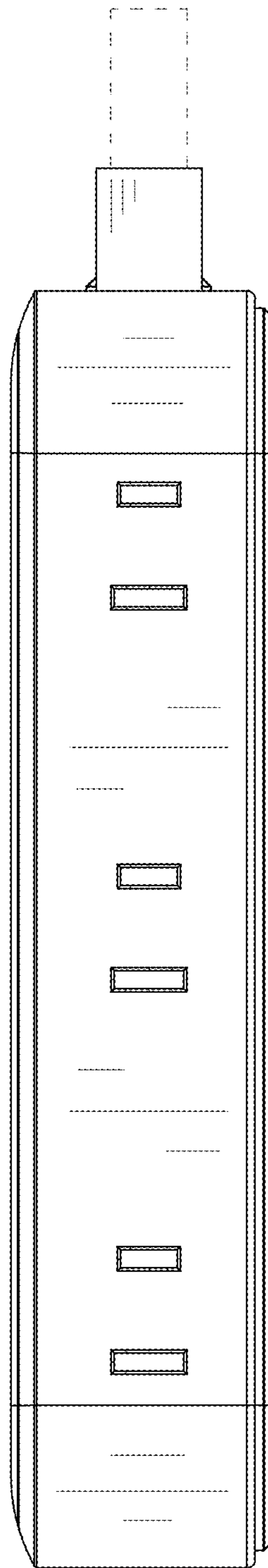


FIG. 13

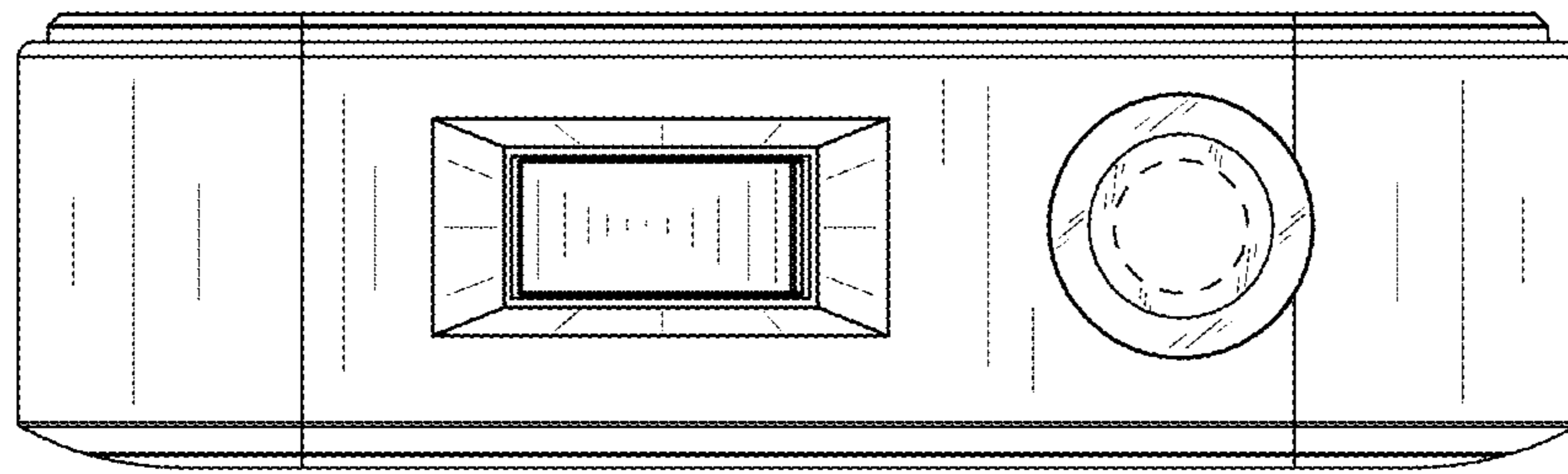


FIG. 14

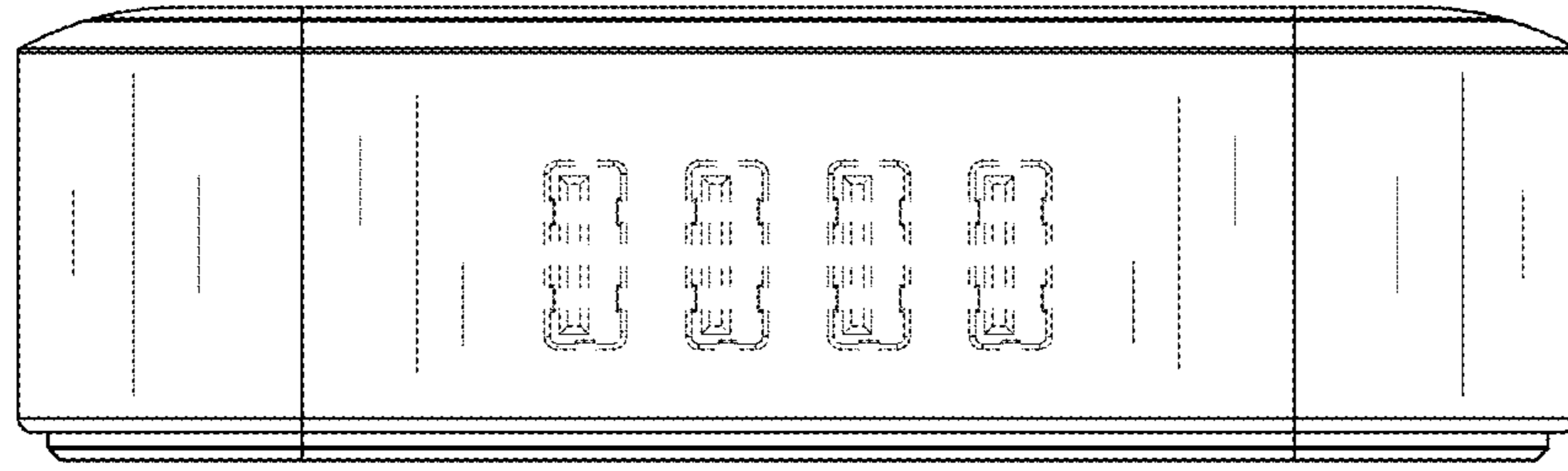


FIG. 15

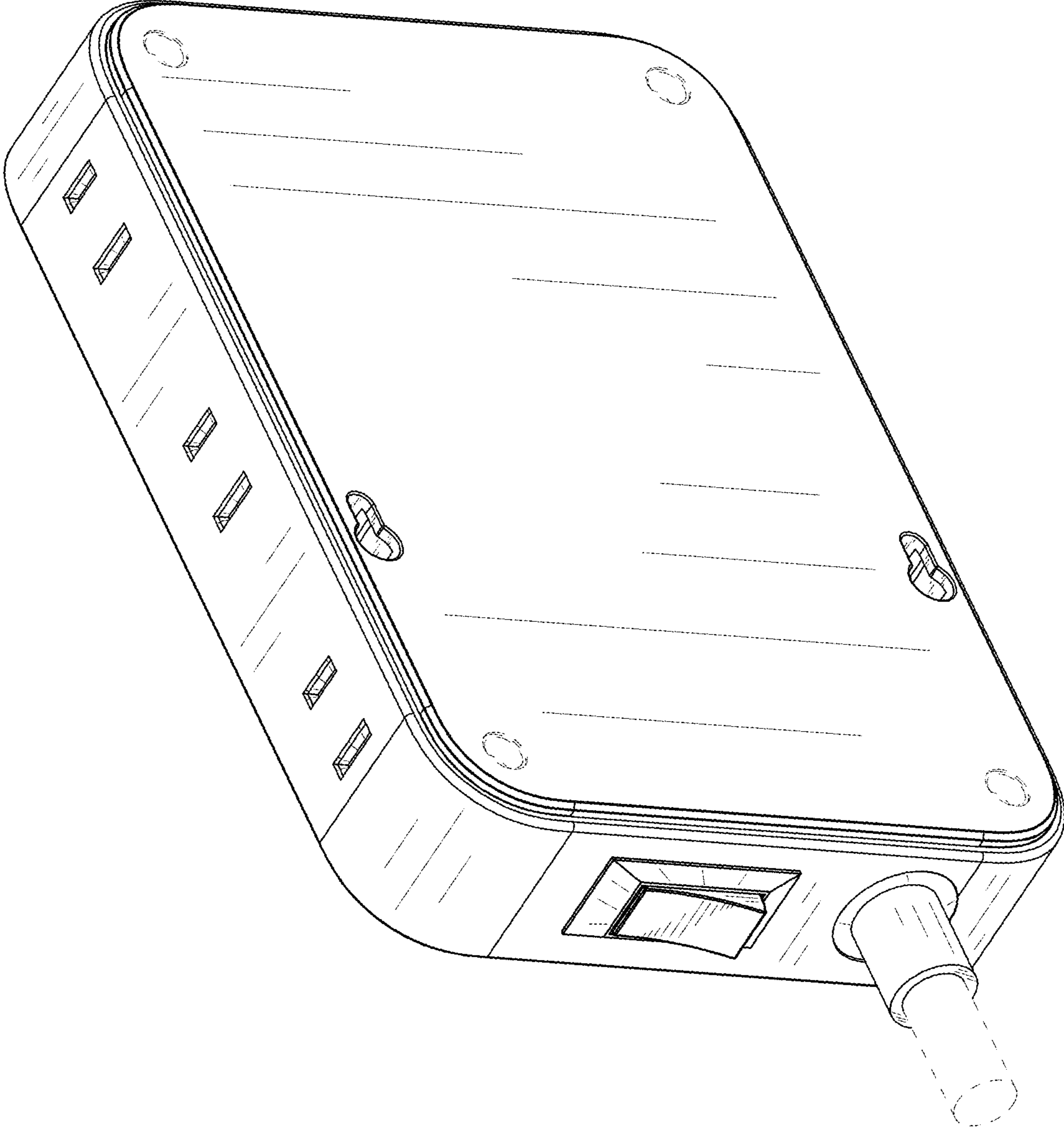


FIG. 16

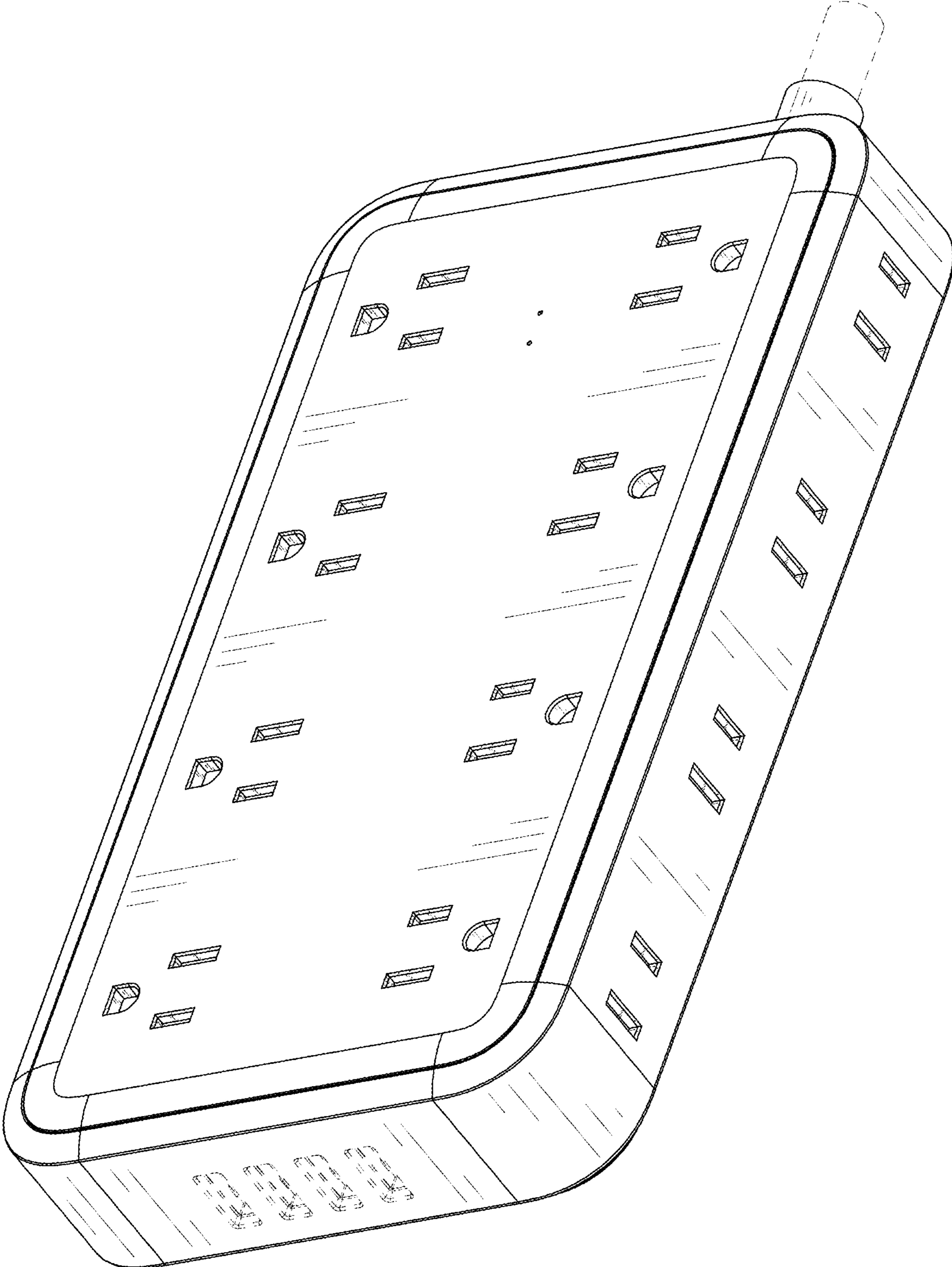


FIG. 17

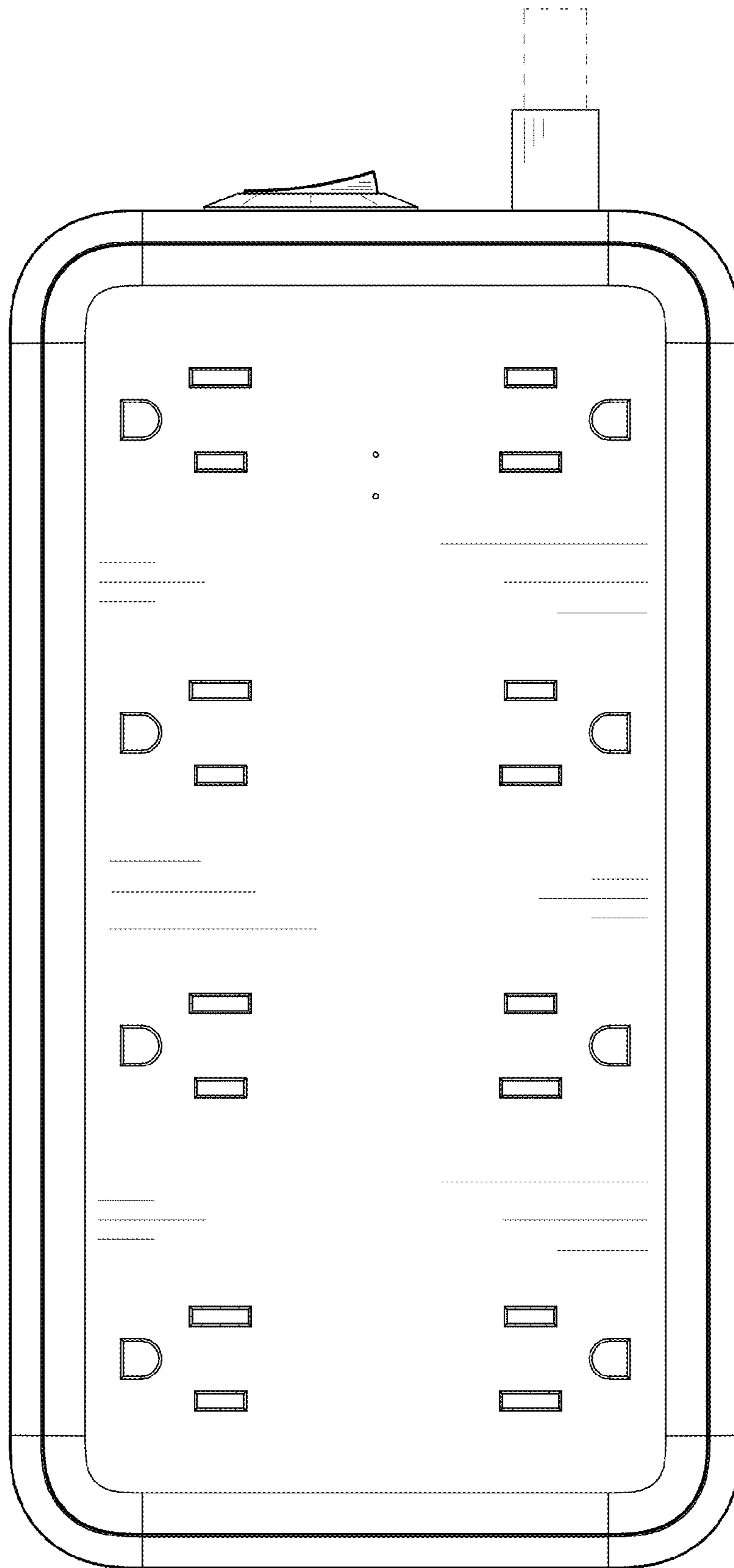


FIG. 18

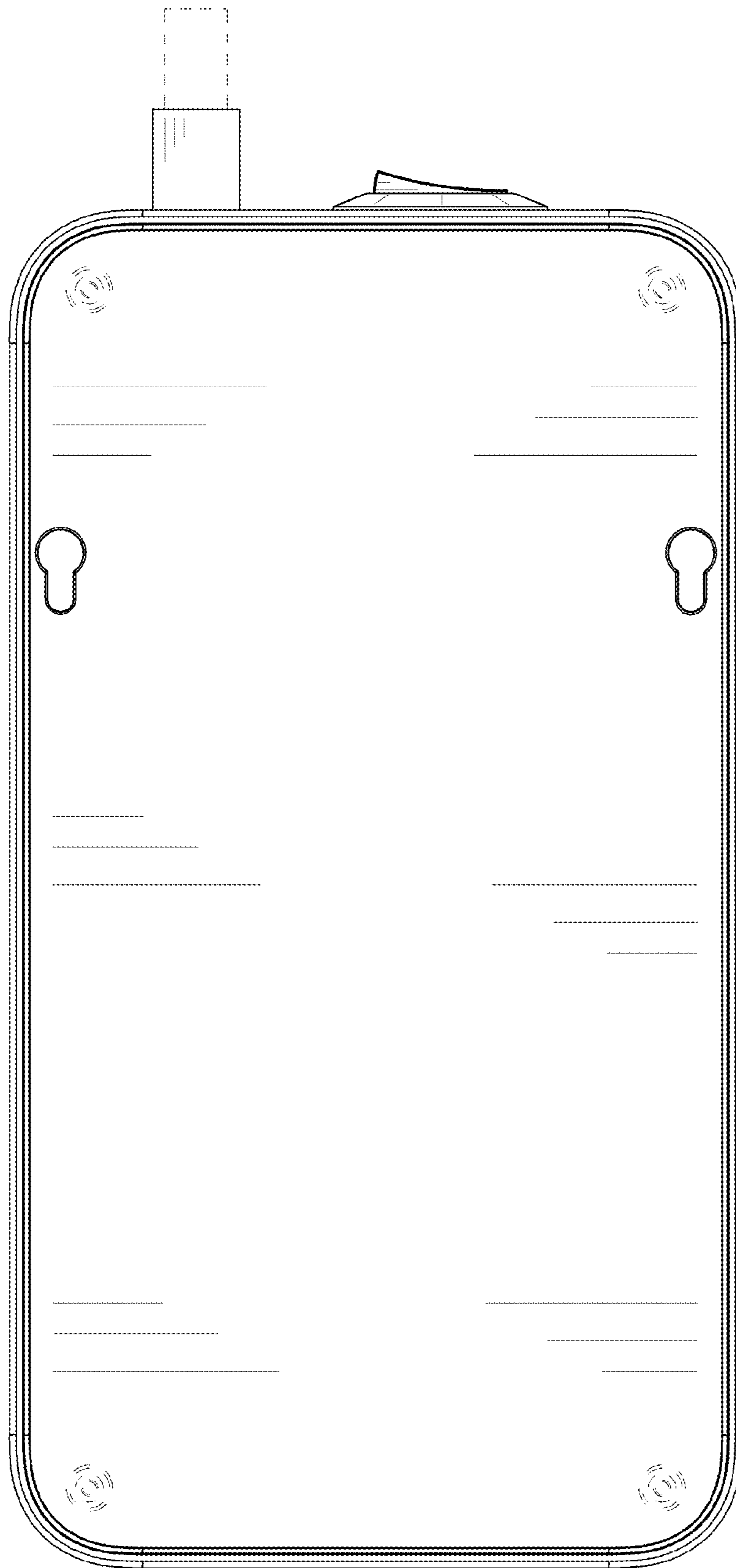


FIG. 19

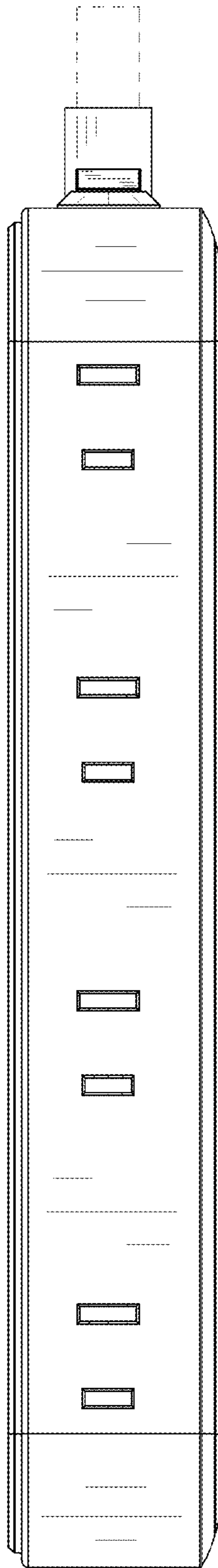


FIG. 20

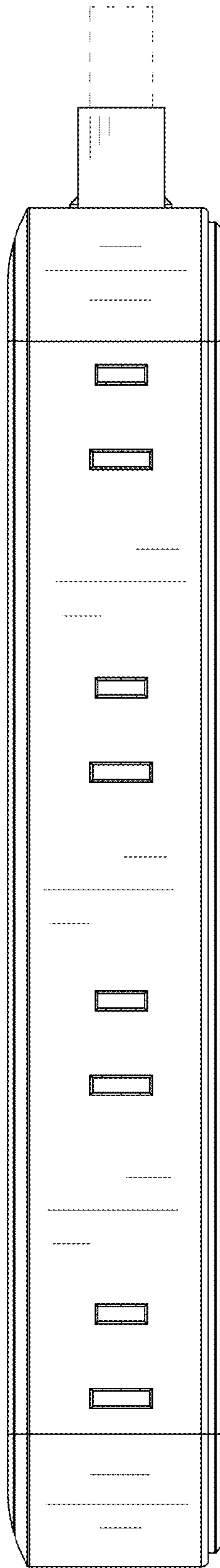


FIG. 21

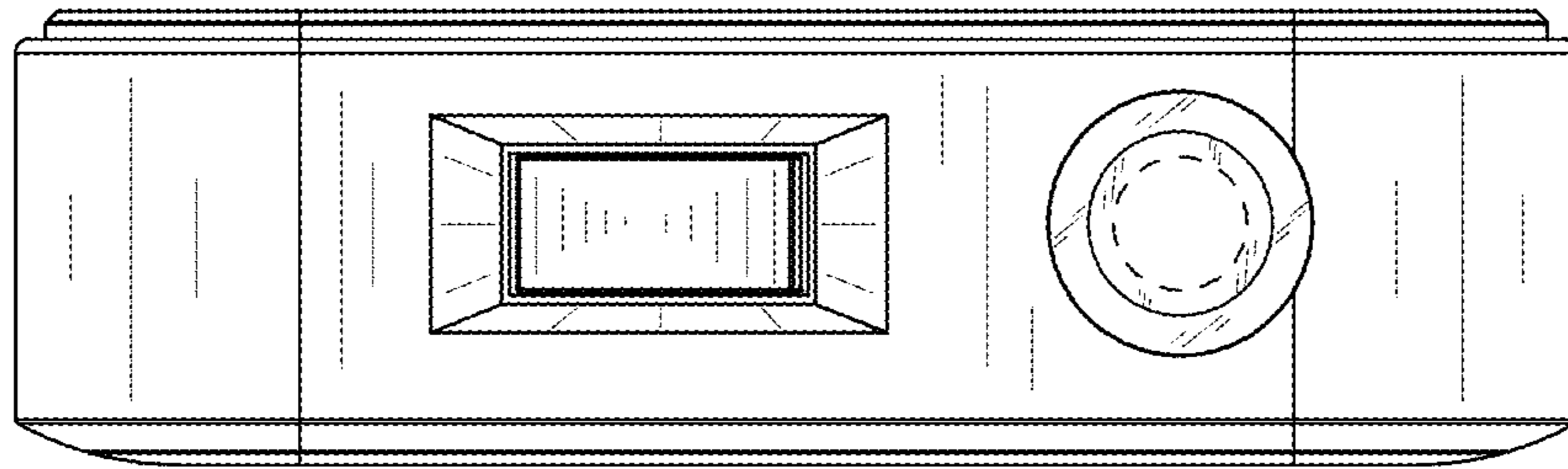


FIG. 22

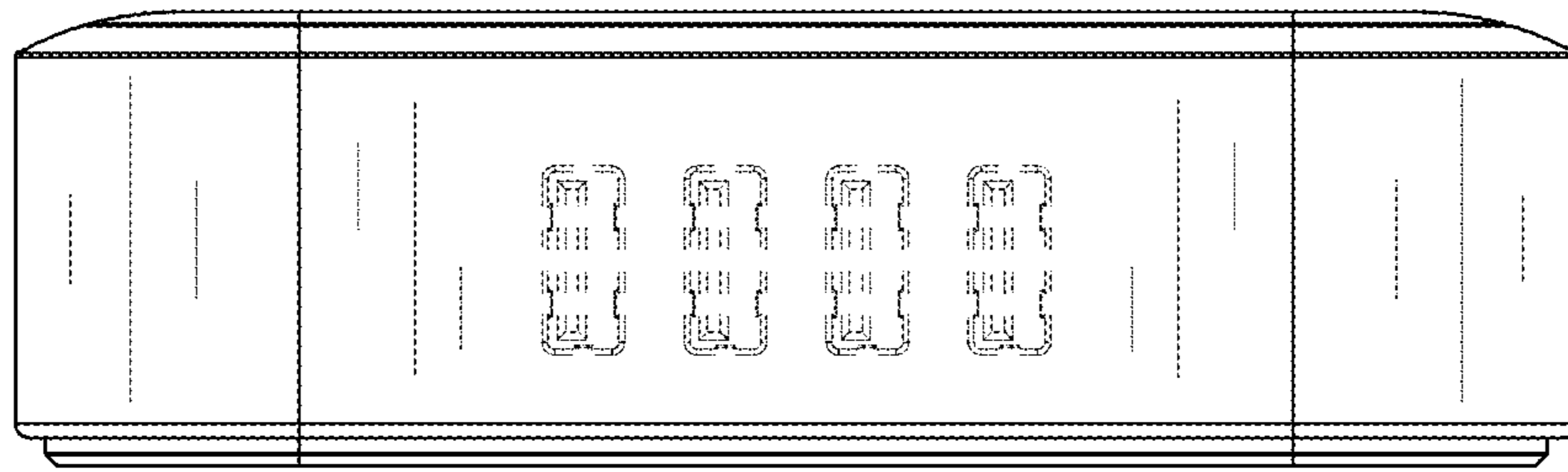


FIG. 23

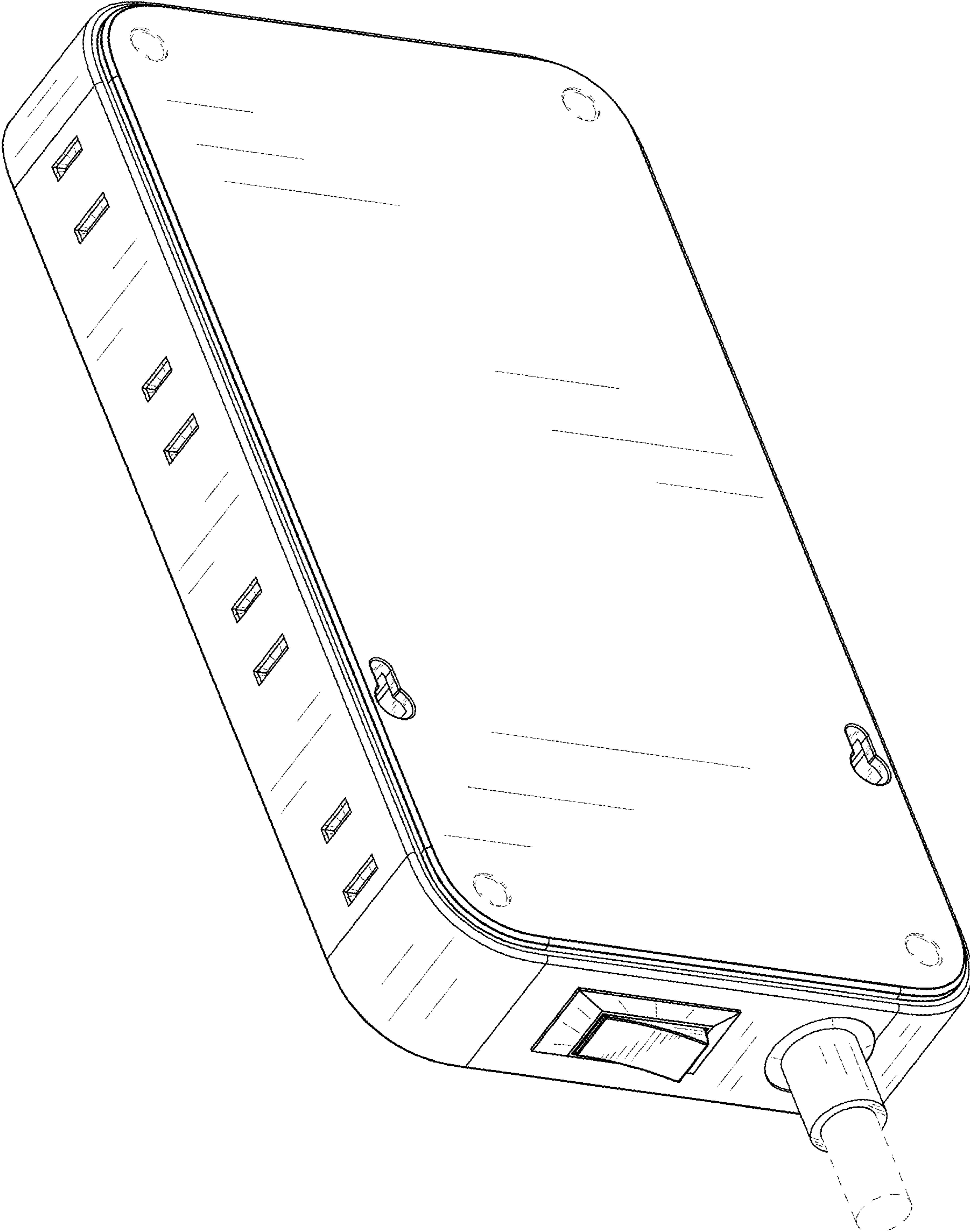


FIG. 24