



US00D976210S

(12) **United States Design Patent**
He

(10) **Patent No.:** **US D976,210 S**

(45) **Date of Patent:** **** Jan. 24, 2023**

(54) **BATTERY CASE**

(71) Applicant: **Baoying county Guanmei glass art Co., Ltd., Jiangsu (CN)**

(72) Inventor: **Xuefu He, Jiangsu (CN)**

(73) Assignee: **Baoying county Guanmei glass art Co., Ltd., Yangzhou (CN)**

(**) Term: **15 Years**

(21) Appl. No.: **29/841,992**

(22) Filed: **Jun. 9, 2022**

(51) **LOC (14) Cl.** **13-02**

(52) **U.S. Cl.**
USPC **D13/119**

(58) **Field of Classification Search**
USPC D13/101, 102, 103, 104, 105, 106, 107,
D13/108, 109, 110, 118, 119, 120, 184,
D13/199
CPC .. H05K 5/0021; H05K 5/0034; H05K 5/0047;
H05K 5/0069; H05K 5/0086; H01M
50/20; H01M 50/204; H01M 50/207;
H01M 50/213; H01M 10/345; H01M
10/425; H01M 2220/30

See application file for complete search history.

(56) **References Cited**

U.S. PATENT DOCUMENTS

D653,202 S 1/2012 Hasbrook
D722,951 S 2/2015 Parsons

D773,396 S * 12/2016 Hoffgaard D13/119
D812,024 S * 3/2018 Lewis D13/184
D860,943 S * 9/2019 Xie D13/119
D860,958 S * 9/2019 Lewis D13/184
D884,603 S * 5/2020 Xie D13/103
D933,013 S * 10/2021 Ludwig D13/103

* cited by examiner

Primary Examiner — Derrick E Holland

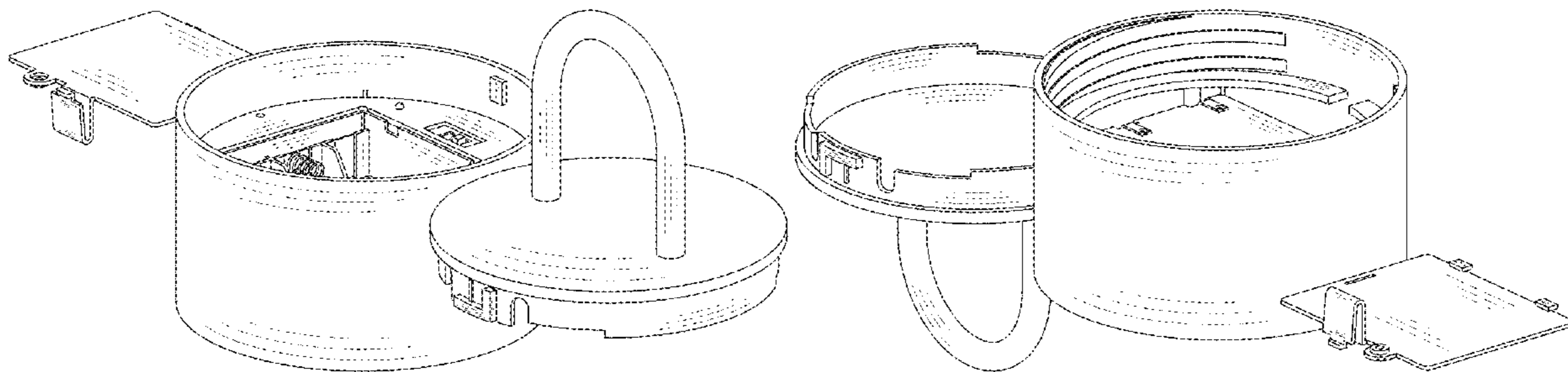
(57) **CLAIM**

The ornamental design for a battery case, as shown and described.

DESCRIPTION

FIG. 1 is a top, front and right side perspective view of a battery case in open status showing my new design;
FIG. 2 is an alternative bottom, back and right side perspective view thereof;
FIG. 3 is an alternative perspective view showing my battery case in close status;
FIG. 4 is a front view of the case, lid and top cap in separately status;
FIG. 5 is a back view thereof;
FIG. 6 is a left view thereof;
FIG. 7 is a right view thereof;
FIG. 8 is a top view thereof; and,
FIG. 9 is a bottom view thereof.
The broken lines in the drawings depict inner portions of the battery case that form no part of the claimed design.

1 Claim, 9 Drawing Sheets



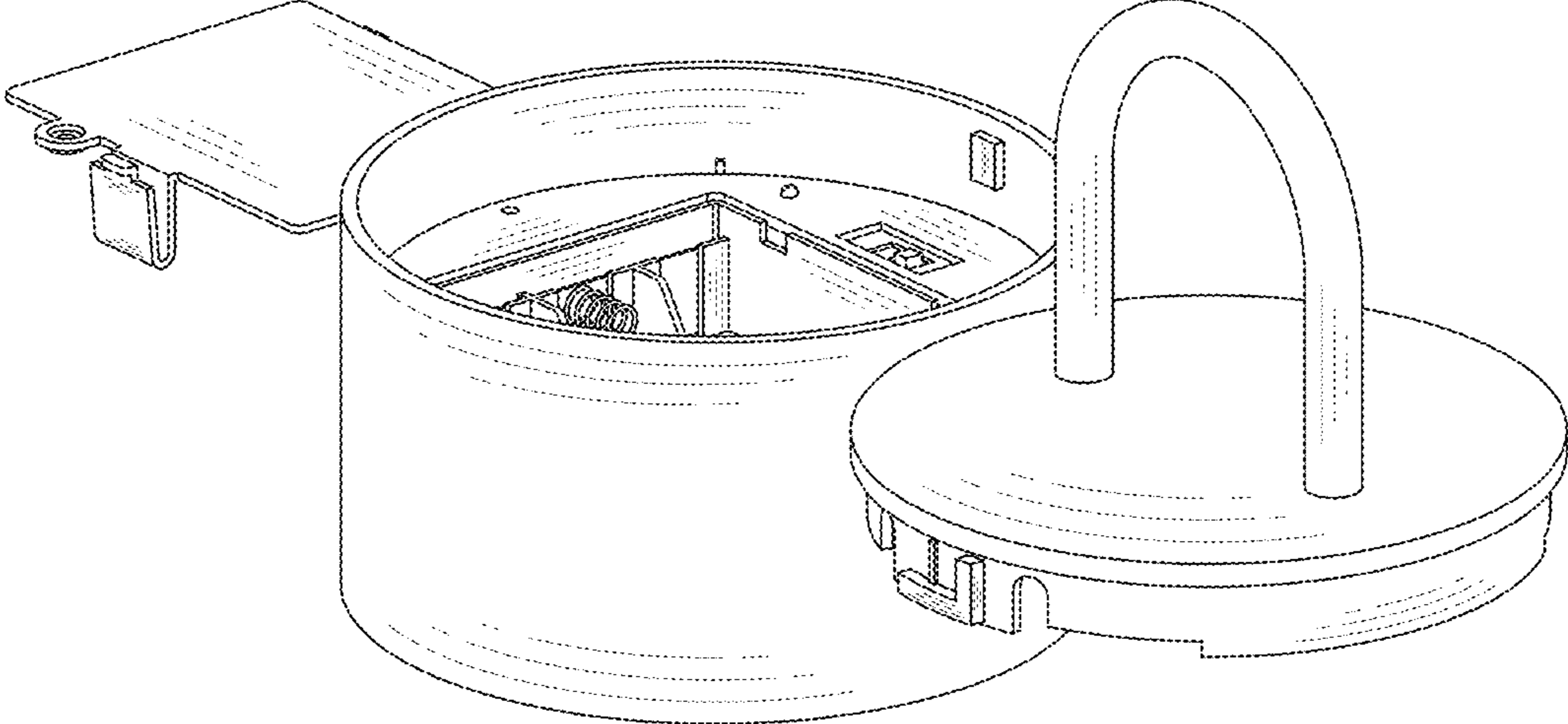


FIG. 1

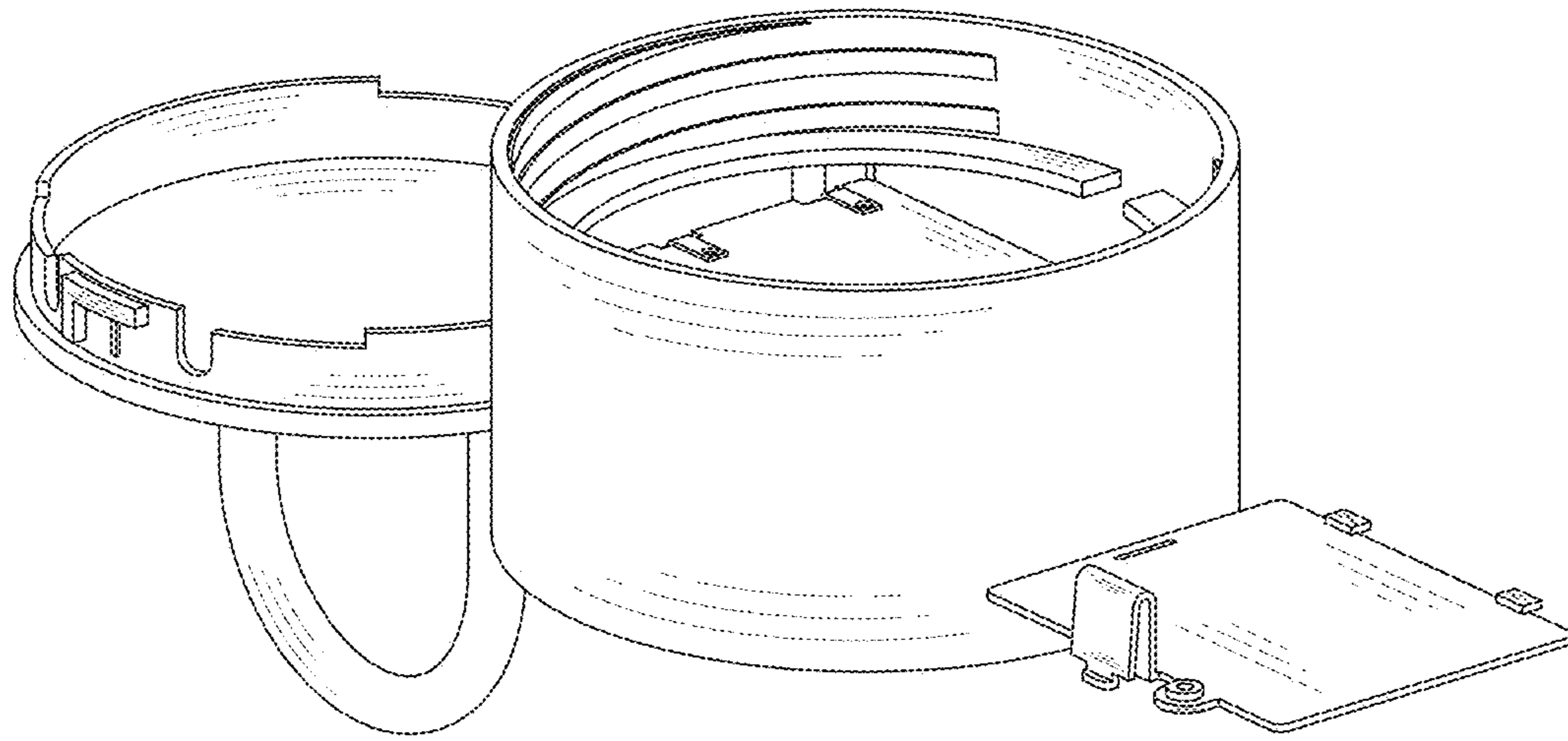


FIG. 2

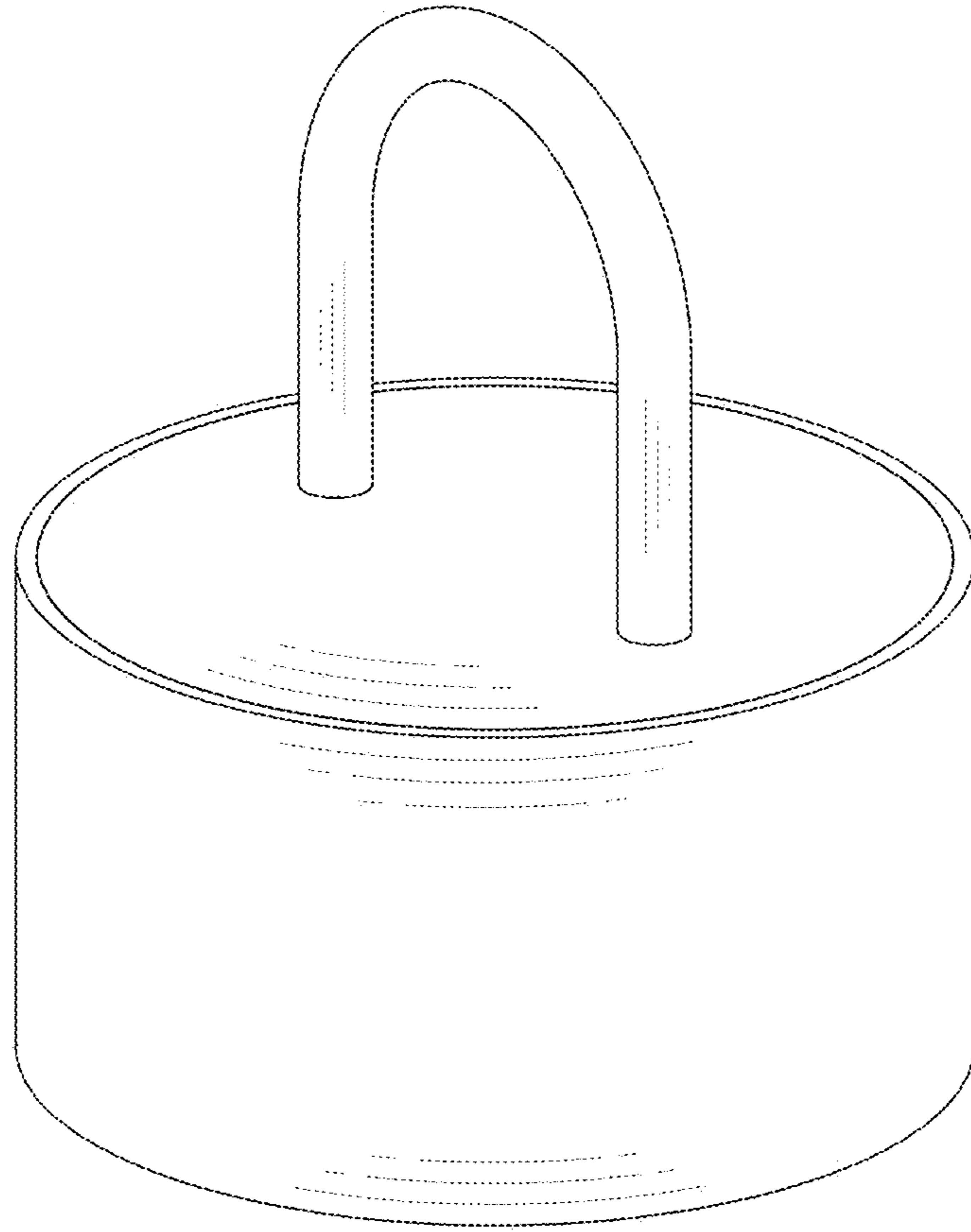


FIG. 3

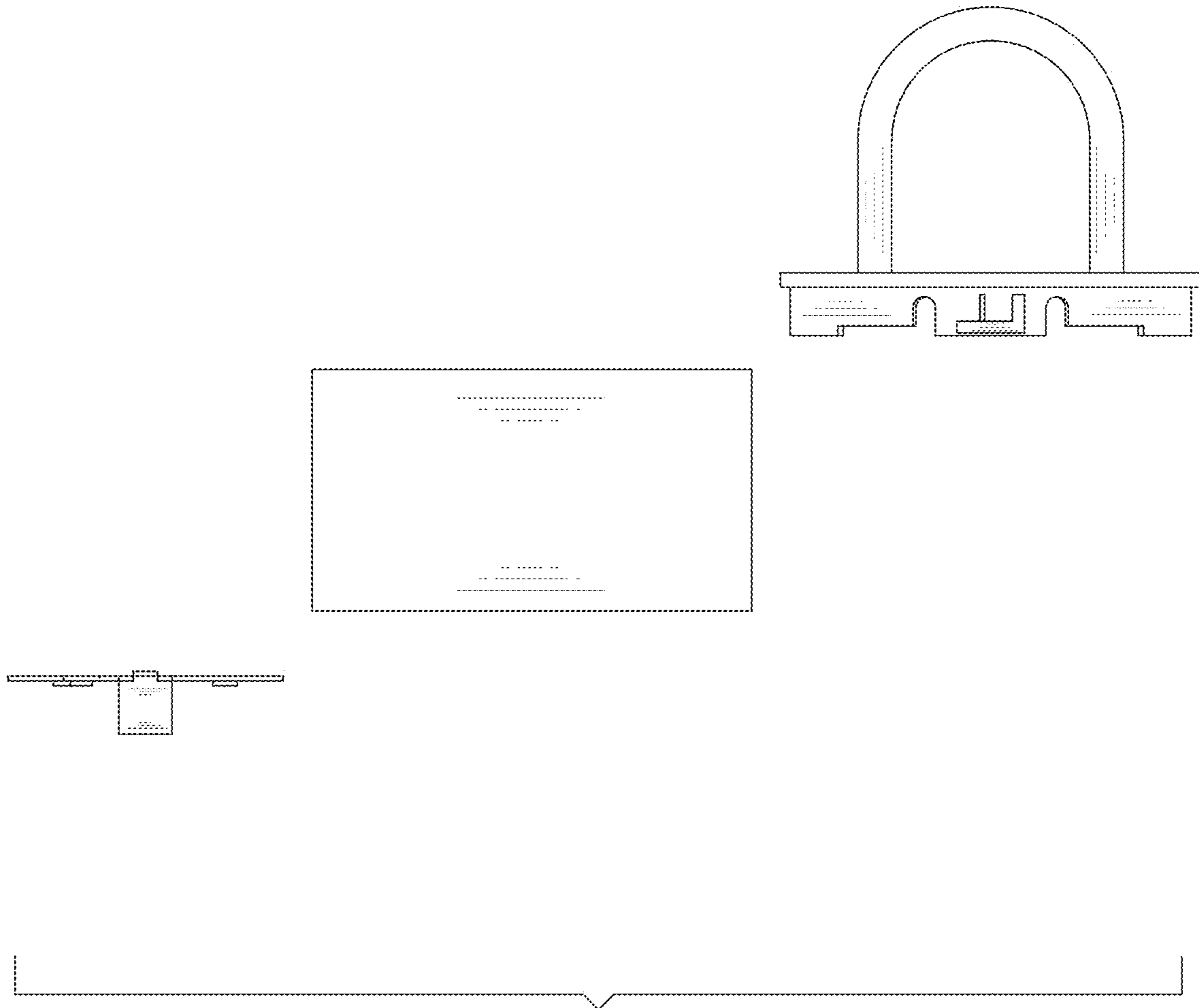


FIG. 4

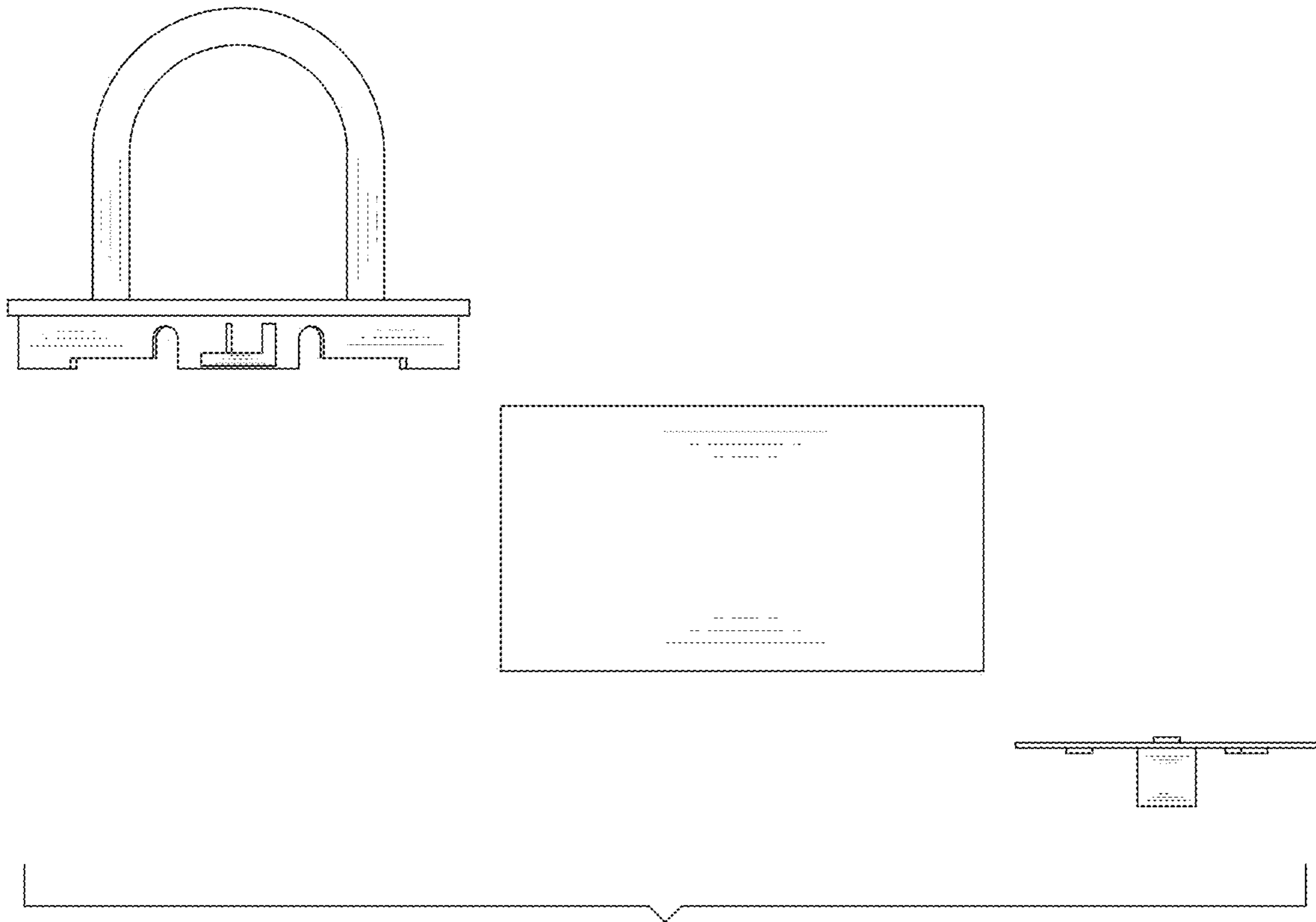


FIG. 5

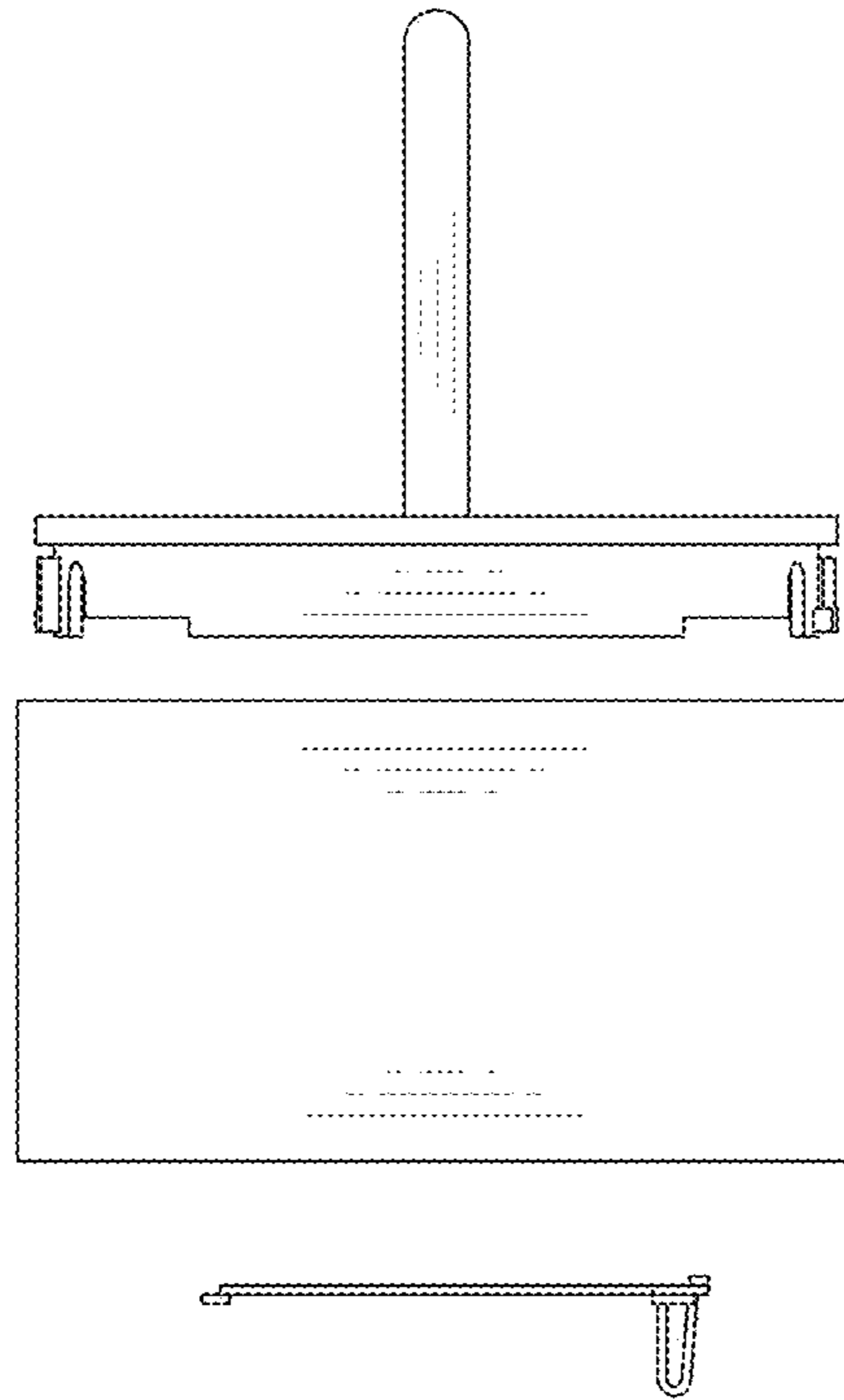


FIG. 6

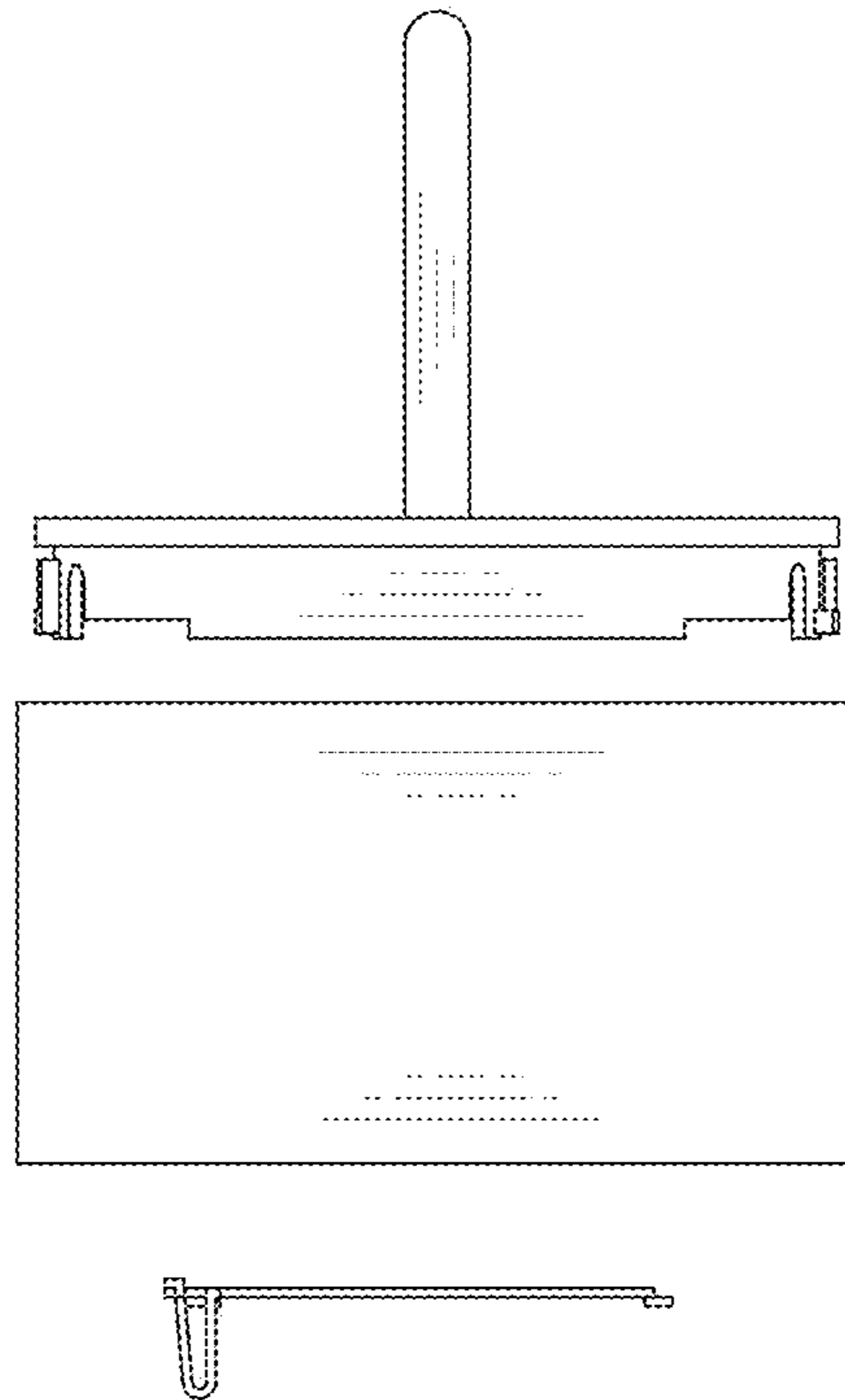


FIG. 7

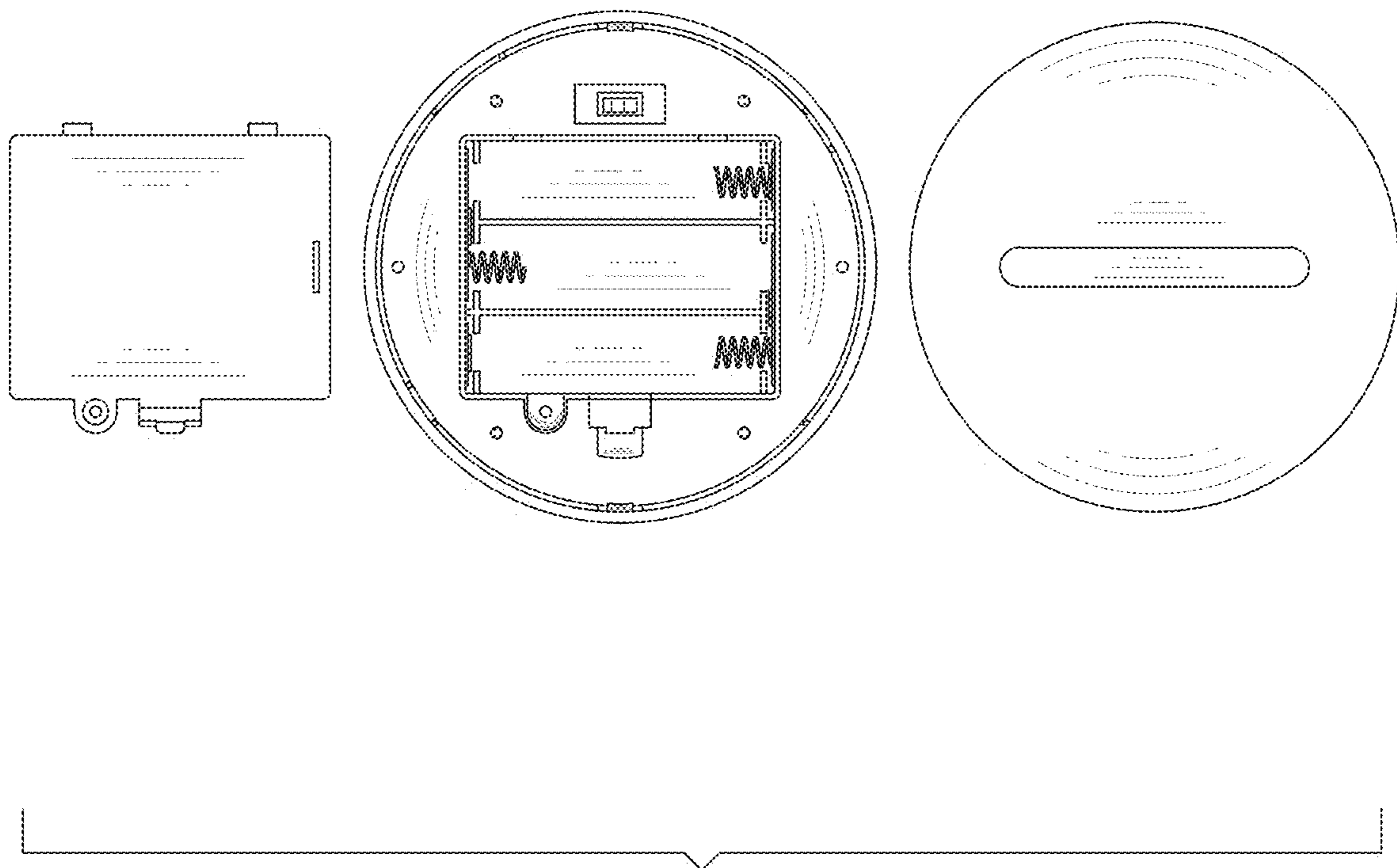


FIG. 8

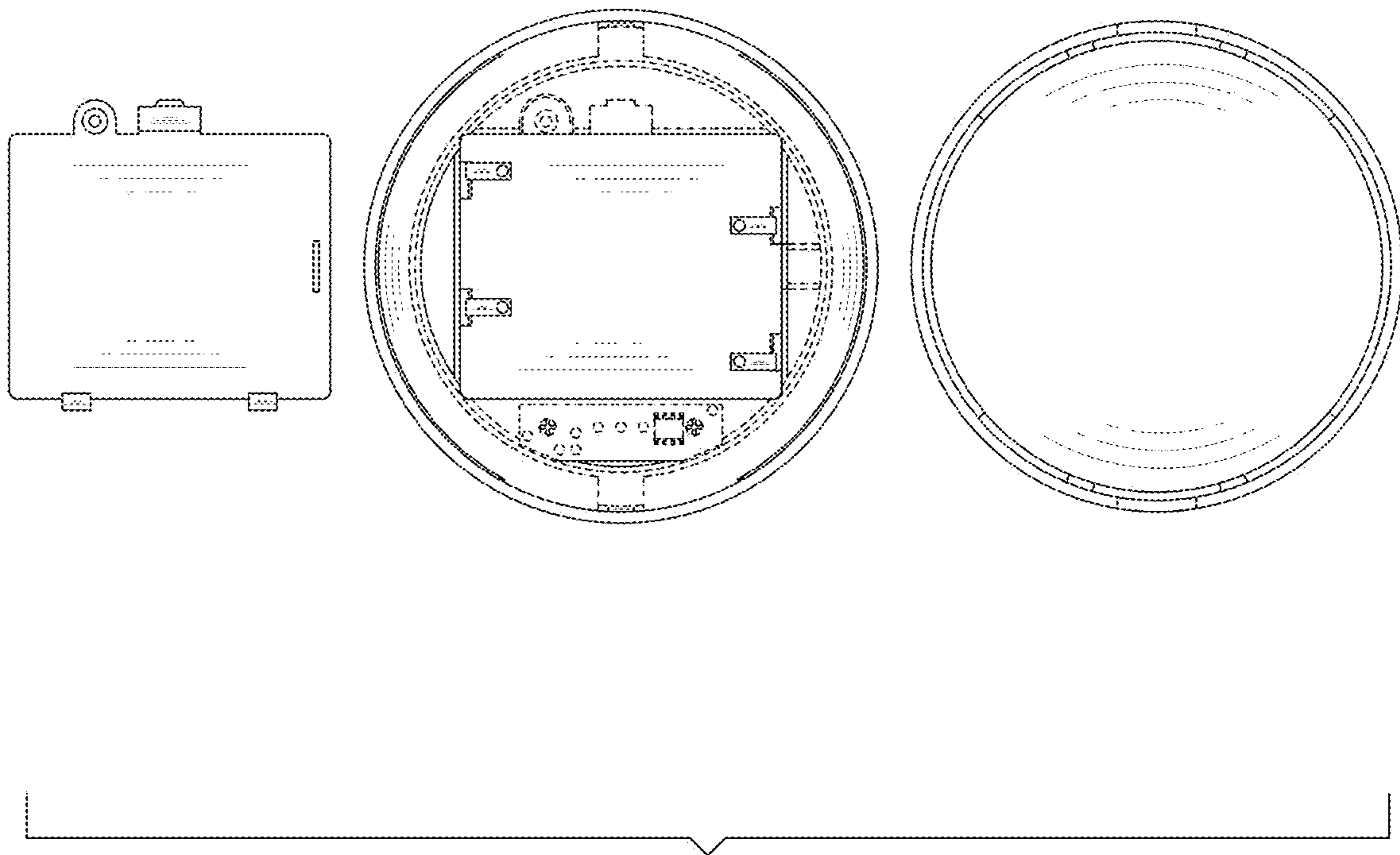


FIG. 9