



US00D976206S

(12) **United States Design Patent**
Lu

(10) **Patent No.:** **US D976,206 S**
(45) **Date of Patent:** **** Jan. 24, 2023**

(54) **COMBINED WIRELESS CHARGER AND POWER BANK**

(71) Applicant: **Da Hui Lu**, Sanming (CN)

(72) Inventor: **Da Hui Lu**, Sanming (CN)

(73) Assignee: **Fuzhou weitela wangluo keji Co., LTD.**, Fuzhou (CN)

(**) Term: **15 Years**

(21) Appl. No.: **29/848,185**

(22) Filed: **Jul. 29, 2022**

(51) **LOC (14) Cl.** **13-02**

(52) **U.S. Cl.**
USPC **D13/108**

(58) **Field of Classification Search**
USPC D13/102–108, 110, 118, 119; D14/251, D14/253, 432, 434
CPC H02J 7/02; H02J 7/0027; H02J 7/0021; H02J 7/0026; H02J 7/0044; H02J 7/0045; H02J 7/0054; H02J 50/80; H05K 5/00; H05K 5/0018; H02G 3/10; B60L 53/00; B60L 53/10; B60L 53/12; B60L 53/14; B60L 53/16; B60L 53/18; B60L 53/31; B60L 53/50; H01M 10/44; H01M 10/46
See application file for complete search history.

(56) **References Cited**

U.S. PATENT DOCUMENTS

D877,070 S	3/2020	Lemelson et al.	
D881,122 S	4/2020	Yao et al.	
D873,214 S	6/2020	Wu	
D913,919 S *	3/2021	Wang	D13/108
D915,276 S *	4/2021	Peng	D13/108
D924,132 S	7/2021	Turksu et al.	
D951,863 S *	5/2022	Jiang	D13/108
D953,262 S *	5/2022	Liao	D13/108
D954,646 S *	6/2022	Liao	D13/108
D958,067 S *	7/2022	Jun	D13/108

D960,882 S *	8/2022	Spinella	D13/108
D962,868 S *	9/2022	Ma	D13/118
D964,921 S *	9/2022	Yin	D13/102
D964,928 S *	9/2022	Shum	D13/108
D967,764 S *	10/2022	Jiang	D13/103
D968,324 S *	11/2022	Jiang	D13/108
D968,325 S *	11/2022	Jiang	D13/108
D969,076 S *	11/2022	Li	D13/108
D969,079 S *	11/2022	Yin	D13/118
2020/0259345 A1 *	8/2020	Kanakis	H02J 7/342

OTHER PUBLICATIONS

https://www.amazon.com/Magnetic-Wireless-Portable-Charger-Charging/dp/B0B5NGJK55/ref=sr_1_35?crid=1WYRTOGAIJV65&keywords=wireless+charger+power+bank&qid=1662103908&sprefix=wireless+charger+power+bank%2Caps%2C381&sr=8-35

* cited by examiner

Primary Examiner — Christy Nemeth

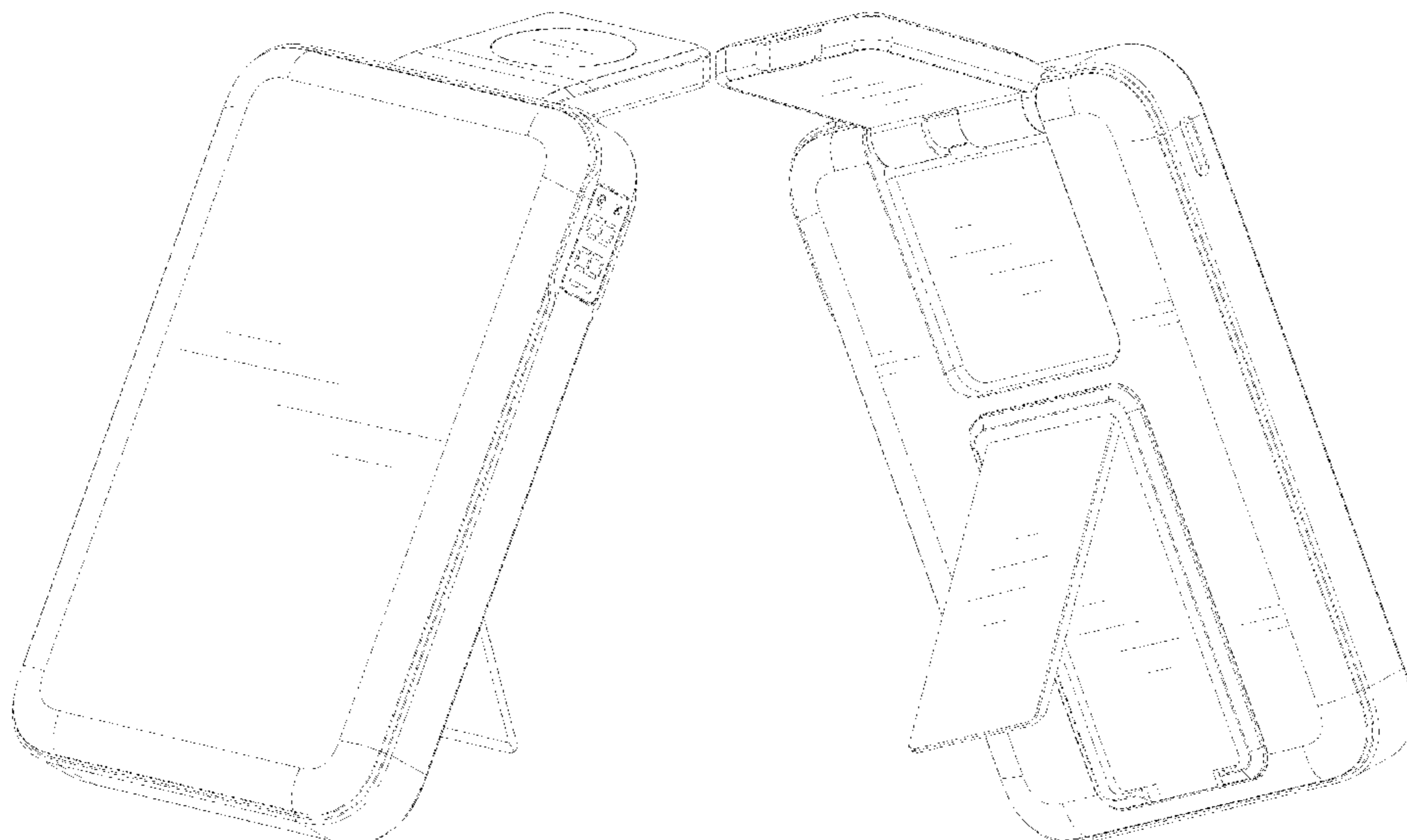
(57) **CLAIM**

The ornamental design for a combined wireless charger and power bank, as shown and described.

DESCRIPTION

FIG. 1 is a front, right, top perspective view of a combined wireless charger and power bank of my new design, shown in an open position;
FIG. 2 is a rear, left, bottom perspective view thereof;
FIG. 3 is a front elevation view thereof;
FIG. 4 is a rear elevation view thereof;
FIG. 5 is a left side elevation view thereof;
FIG. 6 is a right side elevation view thereof;
FIG. 7 is a top plan view thereof;
FIG. 8 is a bottom plan view thereof; and,
FIG. 9 is a rear, right, top perspective view of the combined wireless charger and power bank, shown in a closed position.

1 Claim, 9 Drawing Sheets



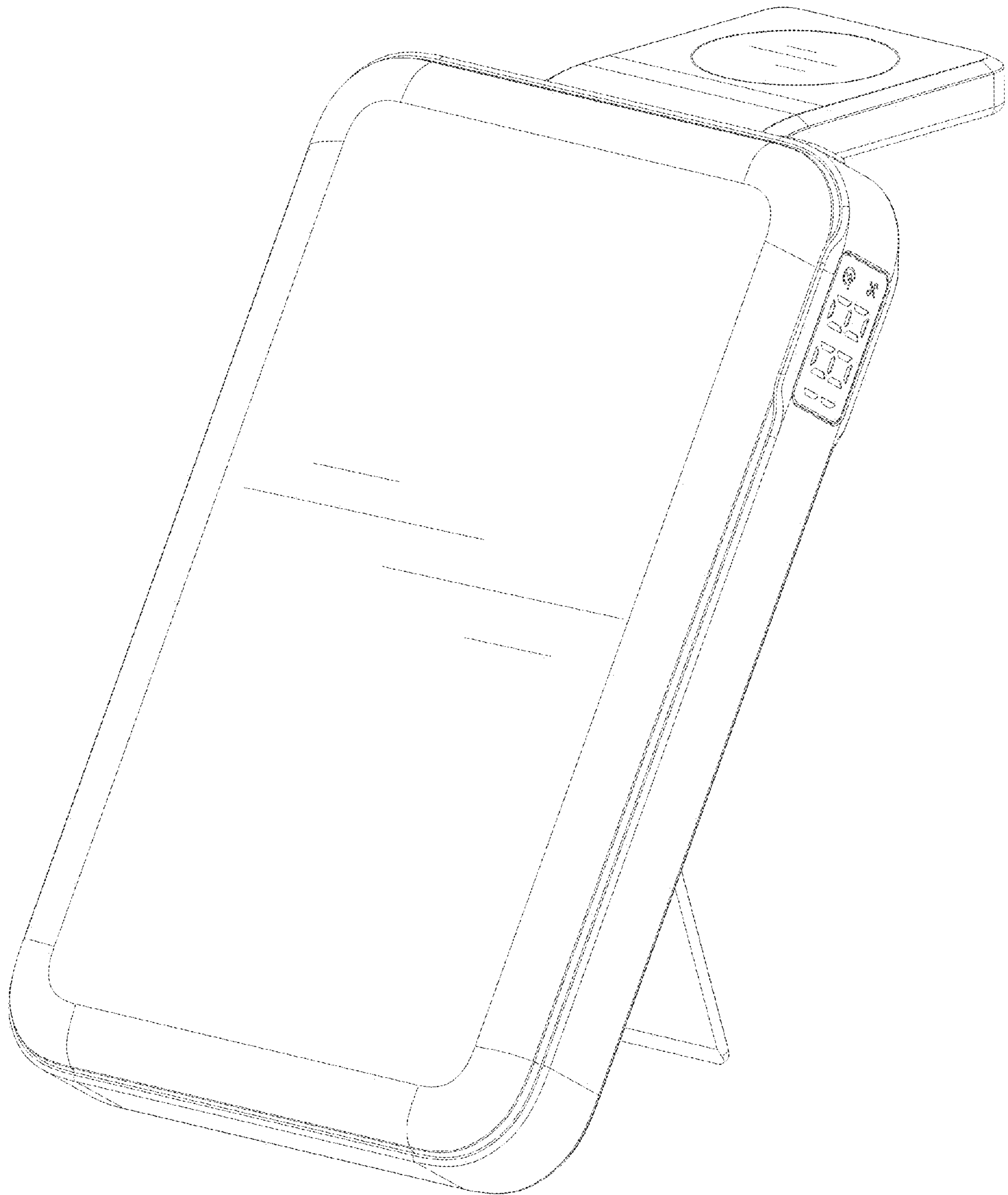


FIG. 1

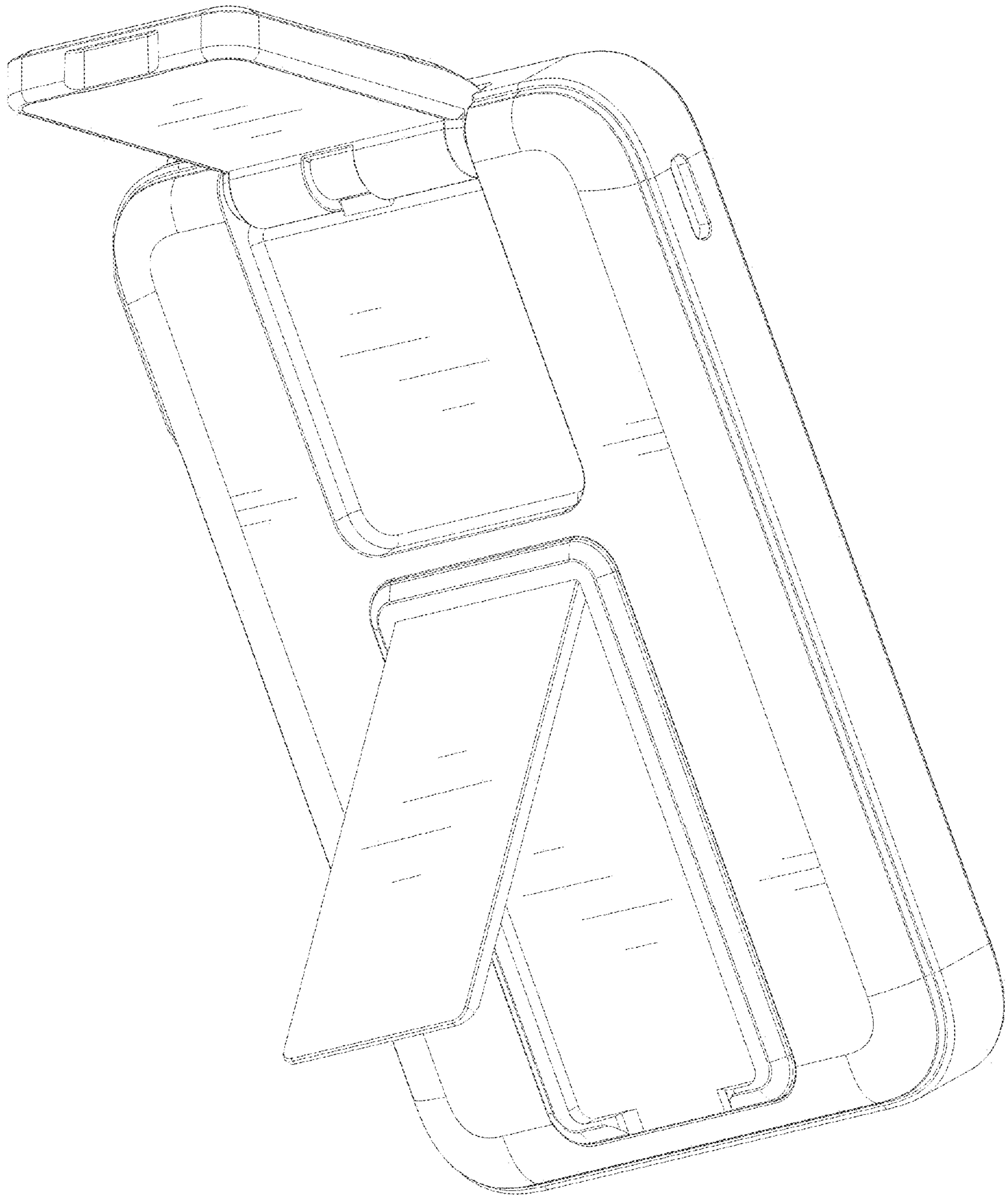


FIG. 2

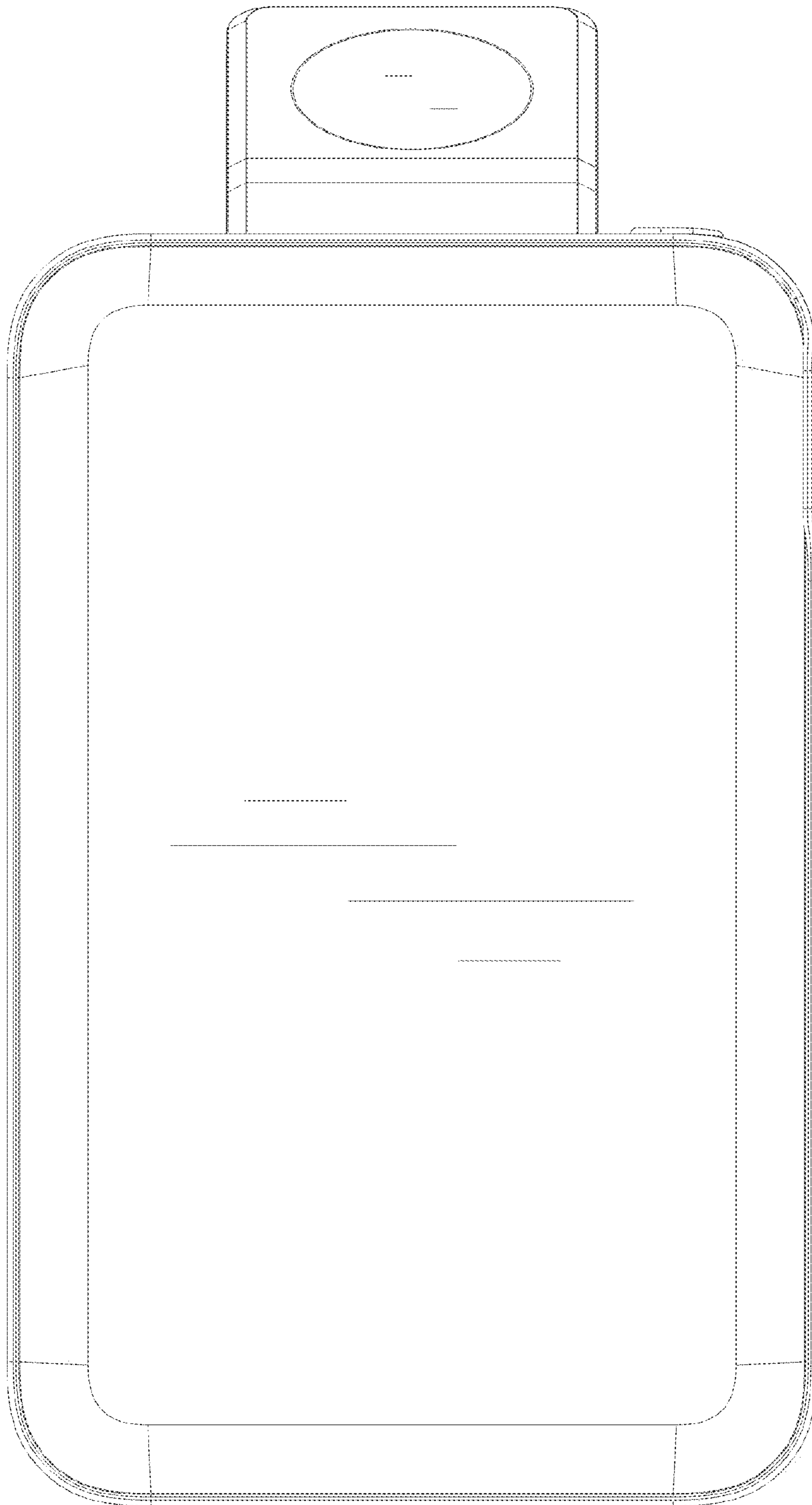


FIG. 3

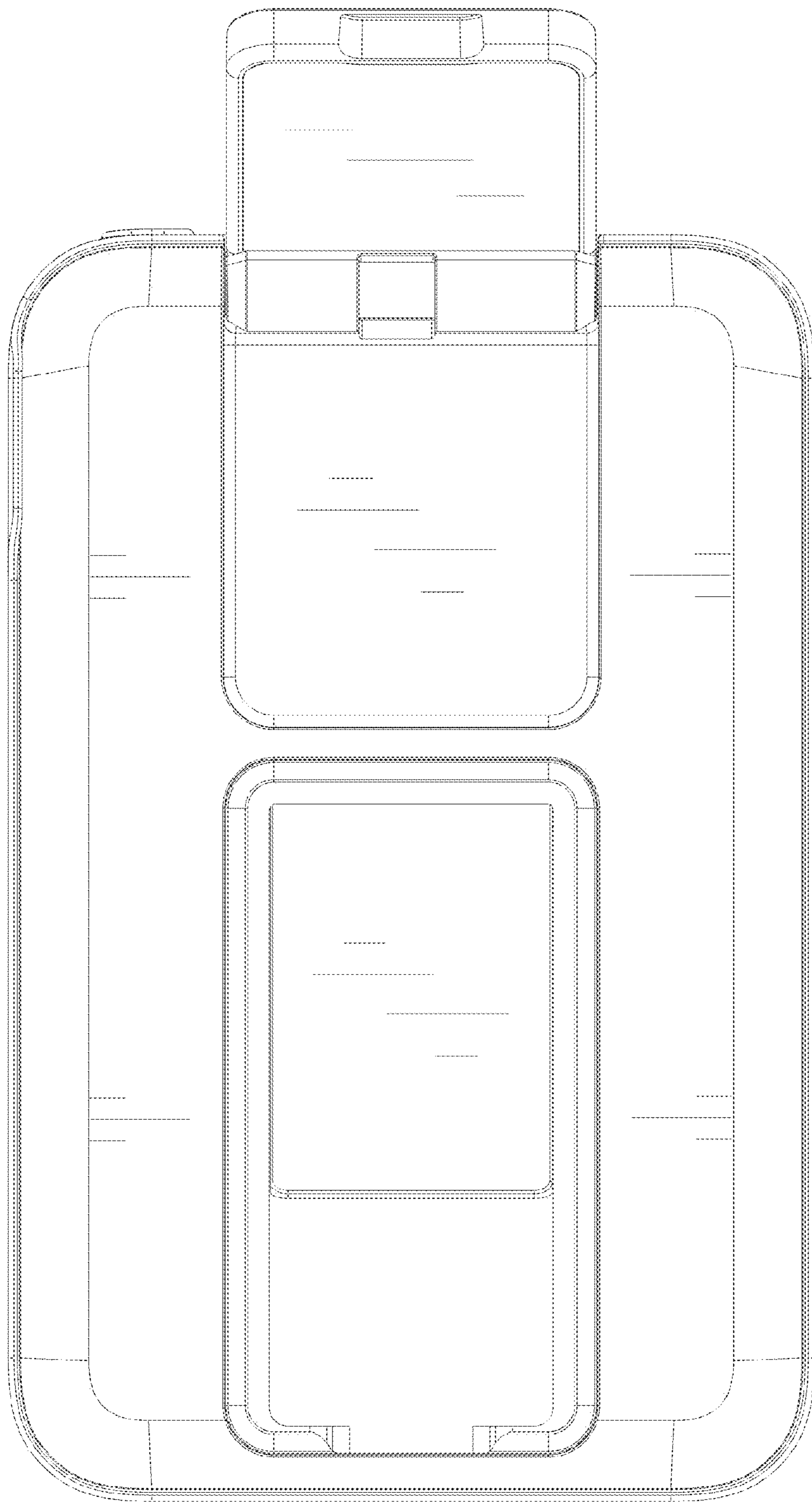


FIG. 4

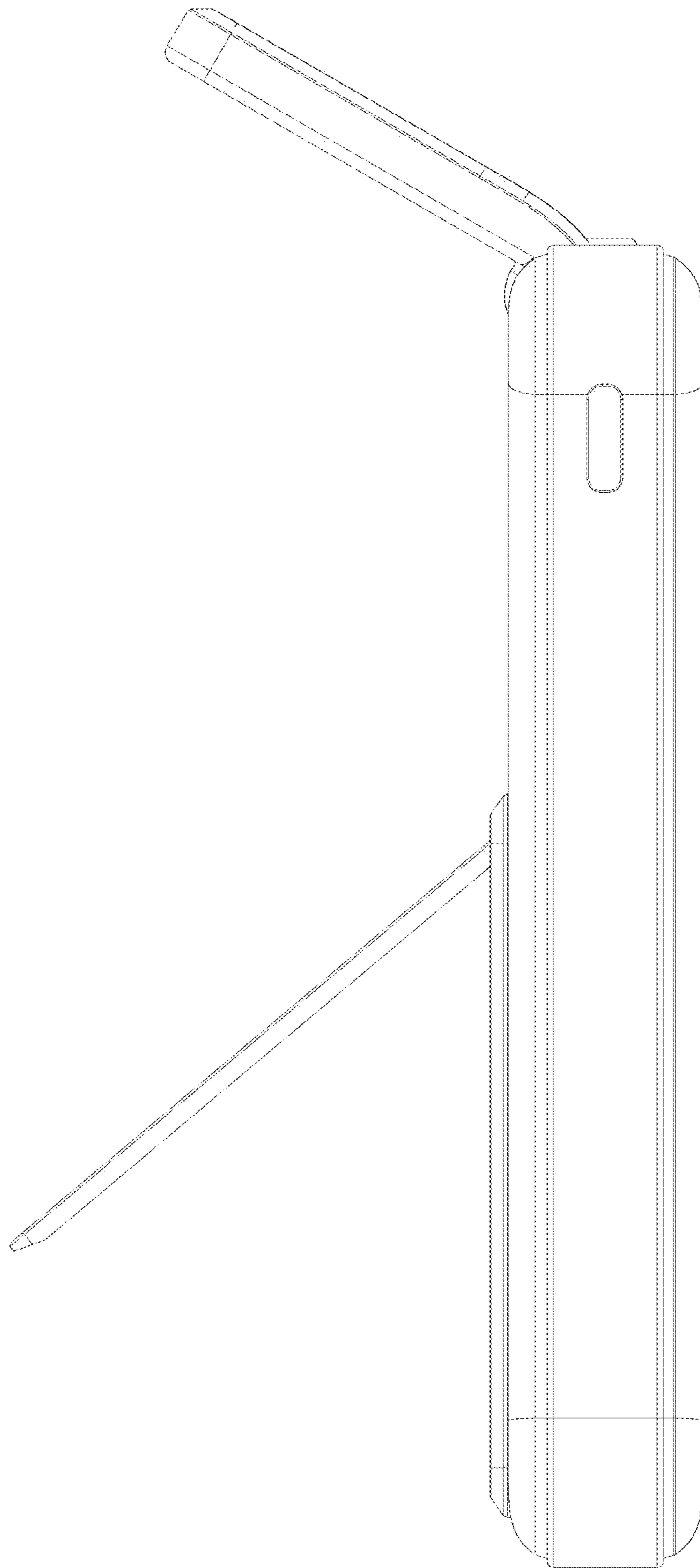


FIG. 5

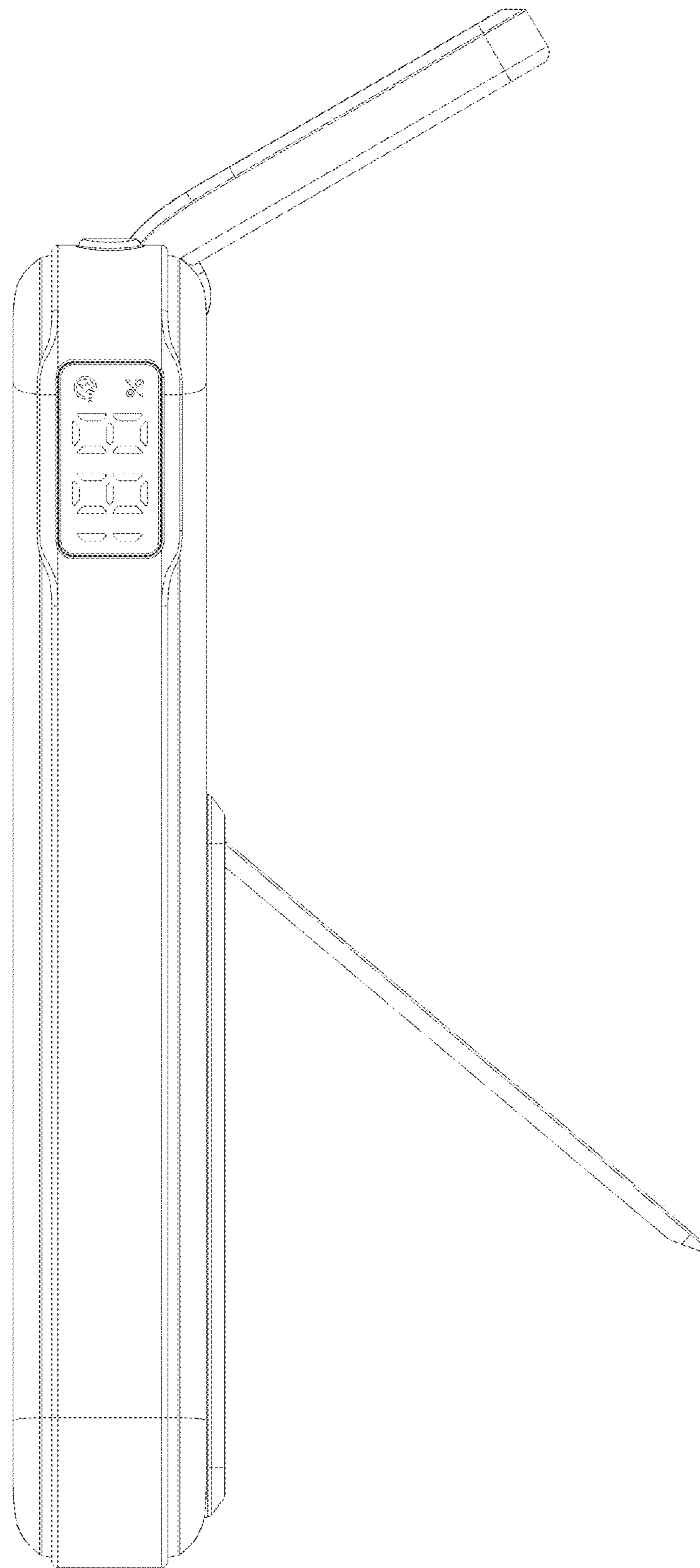


FIG. 6

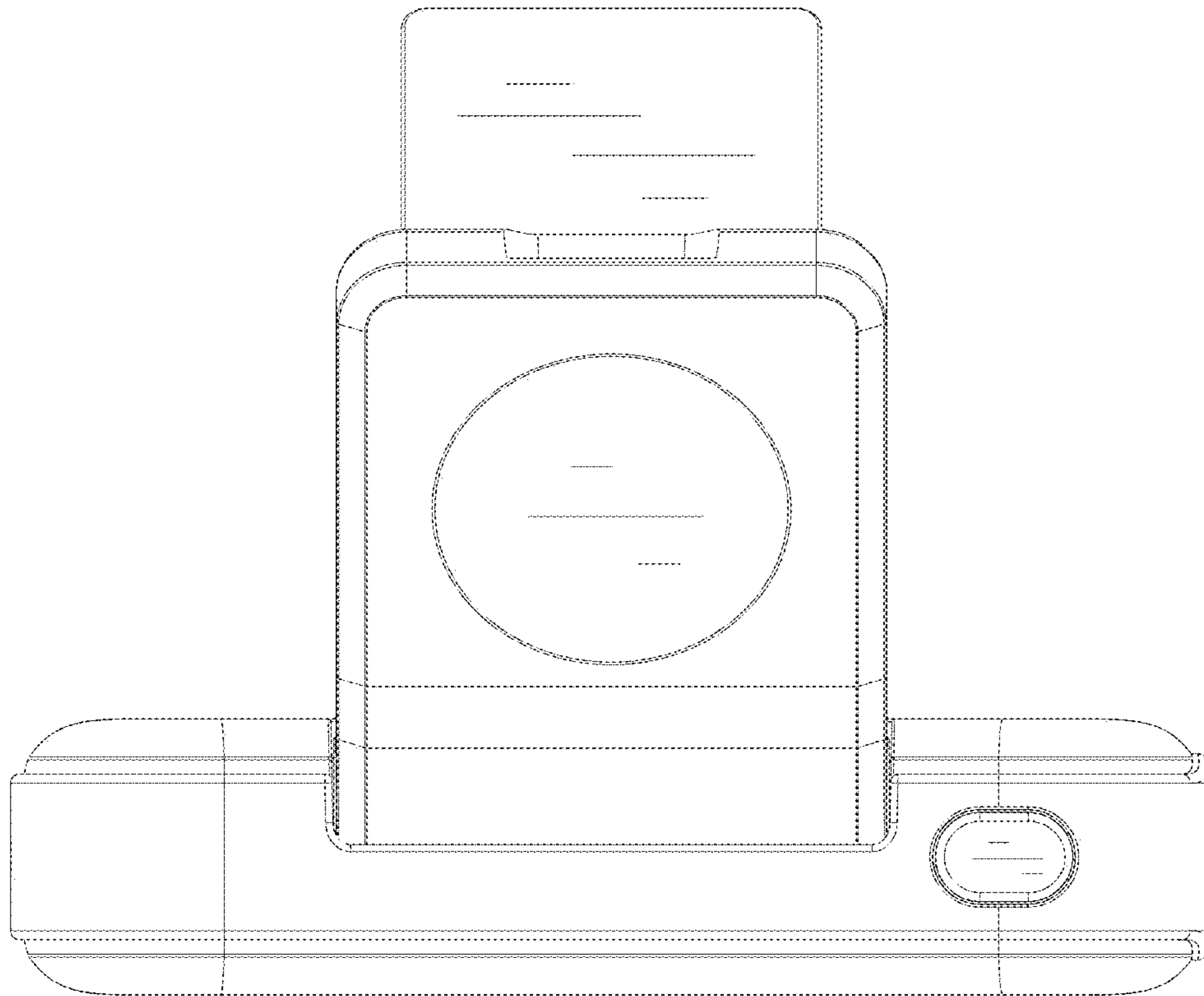


FIG. 7

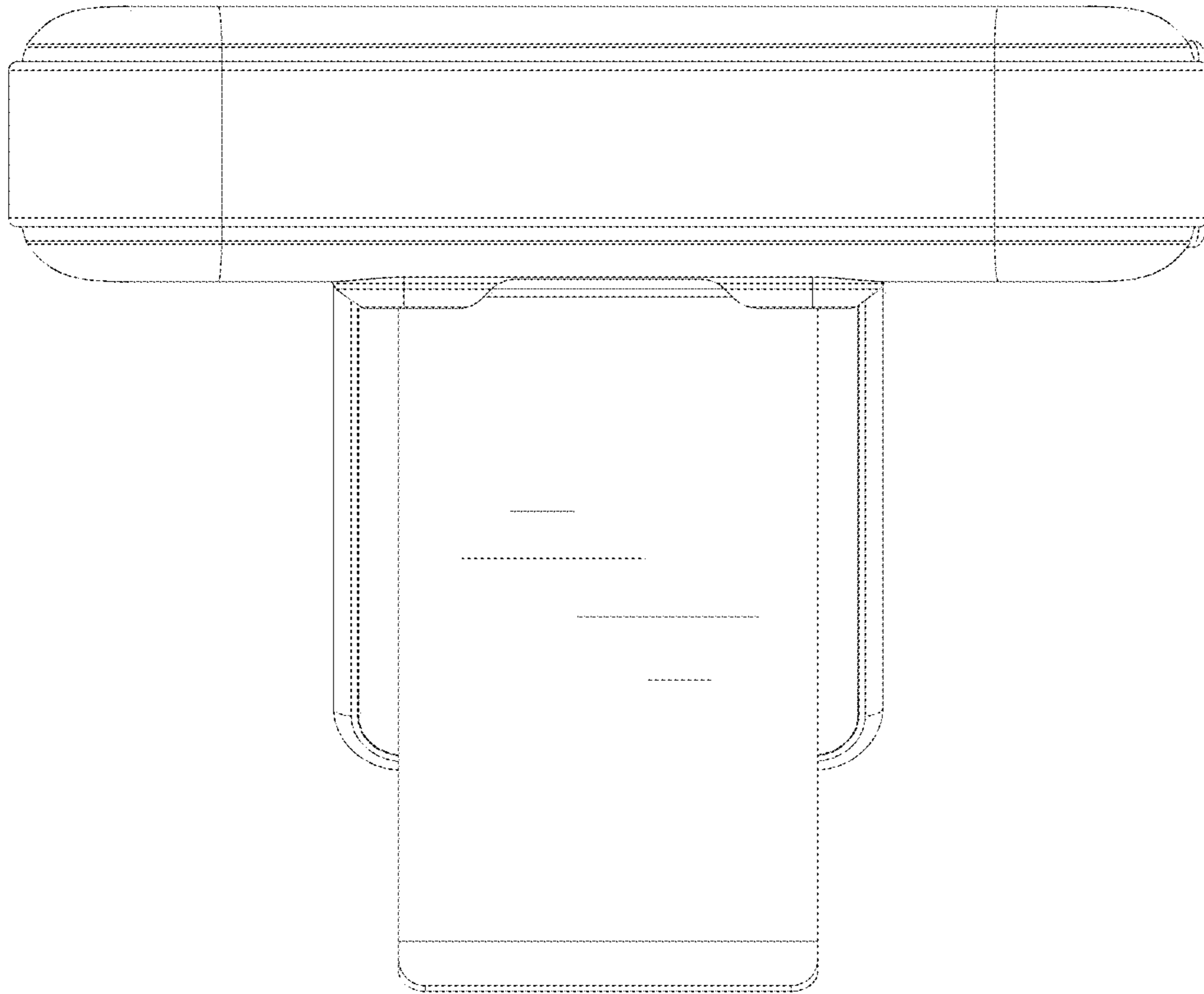


FIG. 8

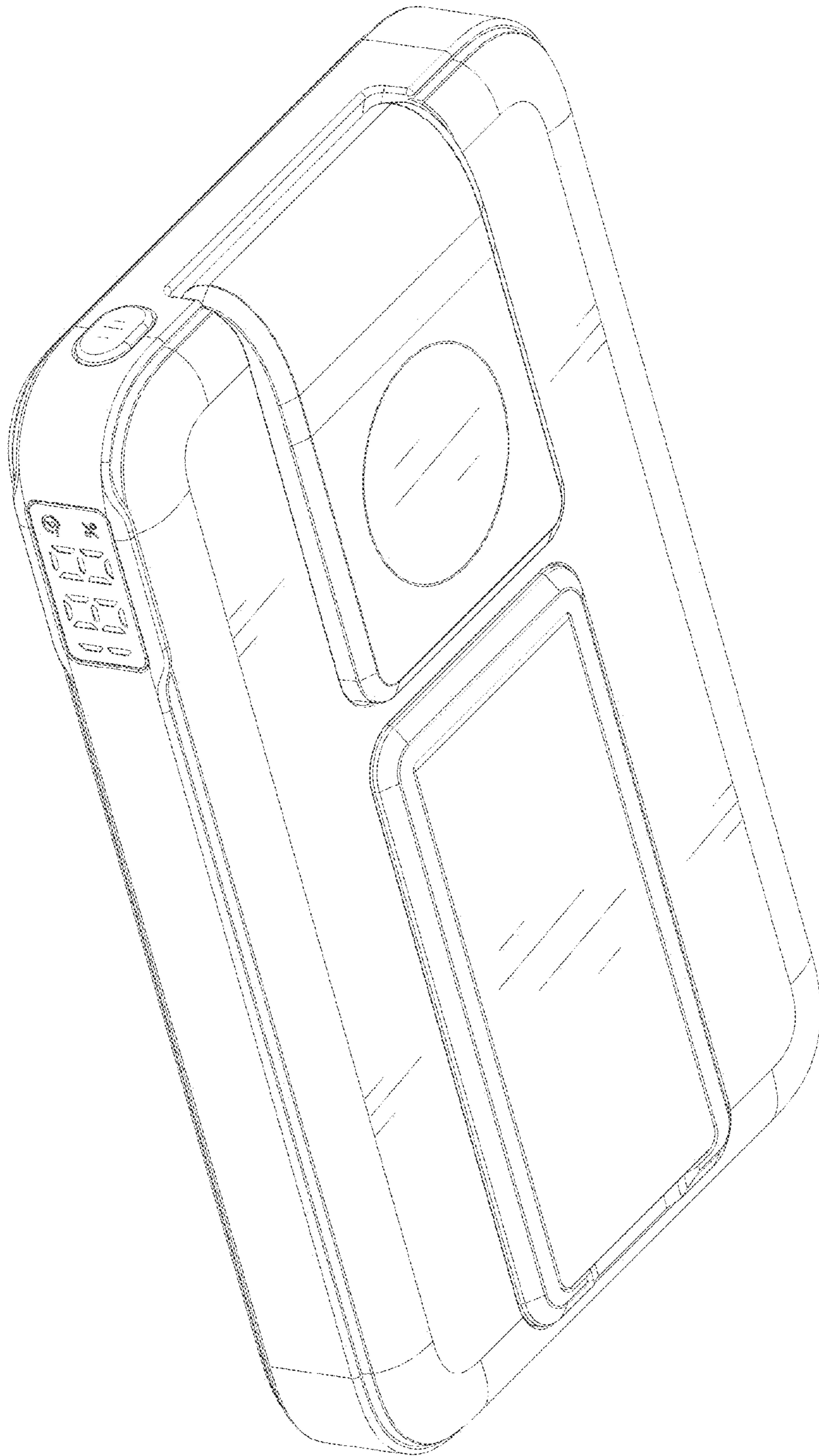


FIG. 9