



US00D976202S

(12) **United States Design Patent** (10) **Patent No.:** **US D976,202 S**
Lei et al. (45) **Date of Patent:** **** Jan. 24, 2023**

(54) **JUMP STARTER**

(71) Applicant: **SHENZHEN CARKU TECHNOLOGY CO., LIMITED**,
Guangdong (CN)

(72) Inventors: **Yun Lei**, Guangdong (CN); **Jieli Lan**,
Guangdong (CN); **Yidan Hu**,
Guangdong (CN)

(73) Assignee: **SHENZHEN CARKU TECHNOLOGY CO., LIMITED**,
Shenzhen (CN)

(**) Term: **15 Years**

(21) Appl. No.: **29/799,209**

(22) Filed: **Jul. 13, 2021**

(30) **Foreign Application Priority Data**

Jun. 21, 2021 (CN) 202130382500.7

(51) **LOC (14) Cl.** **13-02**

(52) **U.S. Cl.**
USPC **D13/107**

(58) **Field of Classification Search**

USPC D13/102, 103, 106–108, 110, 118–120,
D13/154, 156, 184, 199; D14/250
CPC H02J 7/0042; H02J 7/0044; H02J 7/0045;
H02J 7/0047; H02J 7/0003; H02J
7/00047; H02J 7/0013; H02J 7/0027;
H02J 1/122; H02J 7/00; B60R 16/033;
H01M 10/44; H01M 10/46

See application file for complete search history.

(56) **References Cited**

U.S. PATENT DOCUMENTS

D746,770 S * 1/2016 Nook D13/103
D760,164 S * 6/2016 Aida D13/110
D786,192 S * 5/2017 Liu D13/107
D803,151 S * 11/2017 Zhou D13/107

D872,011 S * 1/2020 Rao D13/107
D872,012 S * 1/2020 Rao D13/107
D874,396 S * 2/2020 Rao D13/107
D884,609 S * 5/2020 Gan D13/103
D885,330 S * 5/2020 Gan D13/103
D892,727 S * 8/2020 Gan D13/103

(Continued)

OTHER PUBLICATIONS

“AVAPOW Car Jump Starter 2000A Peak 16800mAh Jump Boxes for Vehicles(12V 8L Gas/6.5L Diesel Engine) Equipped Fast Wireless Charging Jump Starter Battery Pack”, Amazon.com, first available on Apr. 21, 2021. <<https://www.amazon.com/AVAPOW-16800mAh-Vehicles-Equipped-Wireless/dp/B08T637RW9/>>. (Year: 2021).*

Primary Examiner — Rosemary K Tarcza

(74) *Attorney, Agent, or Firm* — Hauptman Ham, LLP

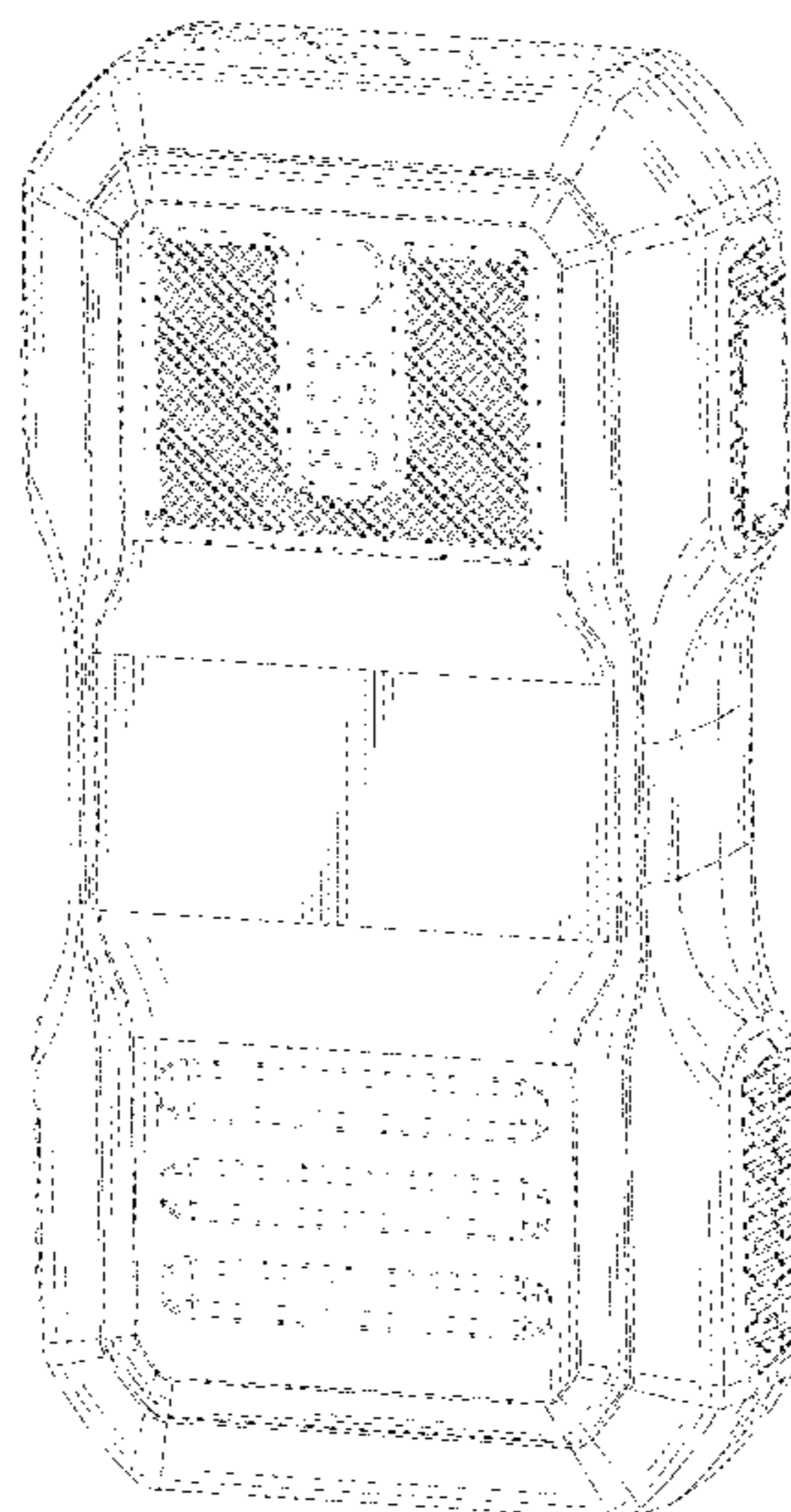
(57) **CLAIM**

The ornamental design for a jump starter, as shown and described.

DESCRIPTION

FIG. 1 is a front view of a jump starter showing the new design;
FIG. 2 is a rear view thereof;
FIG. 3 is a left side view thereof;
FIG. 4 is a right side view thereof;
FIG. 5 is a top plan view thereof;
FIG. 6 is a bottom plan view thereof;
FIG. 7 is a front, top, and right side perspective view thereof;
and,
FIG. 8 is a rear, top, and left side perspective view thereof.
The broken lines shown in the drawings are for the purpose of illustrating portions of the jump starter that form no part of the claimed design.
The shade lines in the Figures show contour and not surface ornamentation.

1 Claim, 7 Drawing Sheets



(56)

References Cited

U.S. PATENT DOCUMENTS

D896,749	S	*	9/2020	Wu	D13/107
D902,851	S	*	11/2020	Wu	D13/107
D930,578	S	*	9/2021	Zheng	D13/110
D934,793	S	*	11/2021	Shu	D13/107
D937,762	S	*	12/2021	Chung	D13/107
D937,763	S	*	12/2021	Wang	D13/107
D942,931	S	*	2/2022	Fang	D13/110
D944,191	S	*	2/2022	Wang	D13/107
D944,725	S	*	3/2022	Zeng	D13/103
D946,510	S	*	3/2022	Xuan	D13/107
D947,116	S	*	3/2022	Al	D13/103
D951,182	S	*	5/2022	Gong	D13/103
D953,258	S	*	5/2022	Ye	D13/103
D958,064	S	*	7/2022	Finocchiaro	D13/107
2016/0359352	A1	*	12/2016	Chiu	H02J 7/00

* cited by examiner

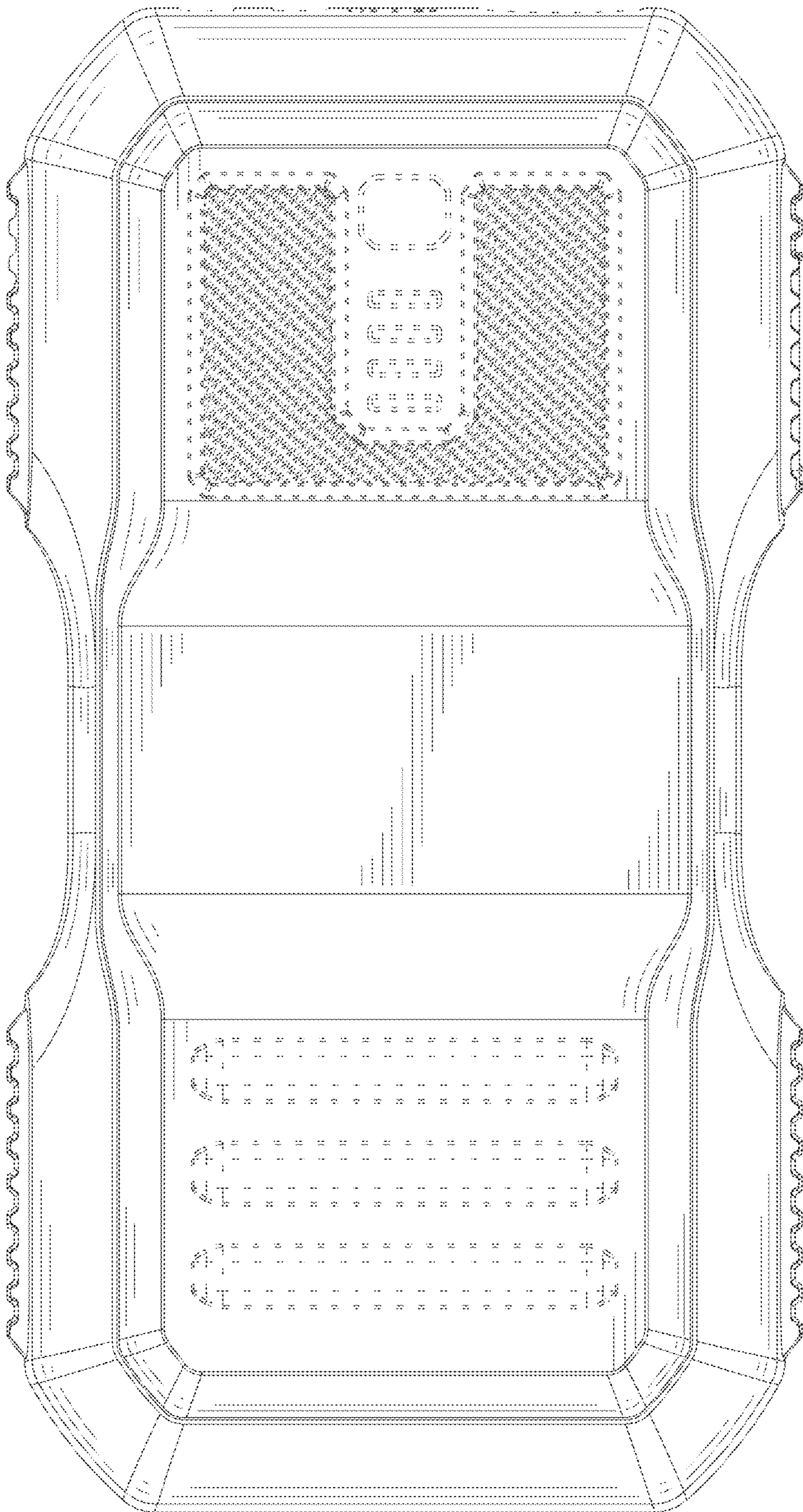


FIG.1

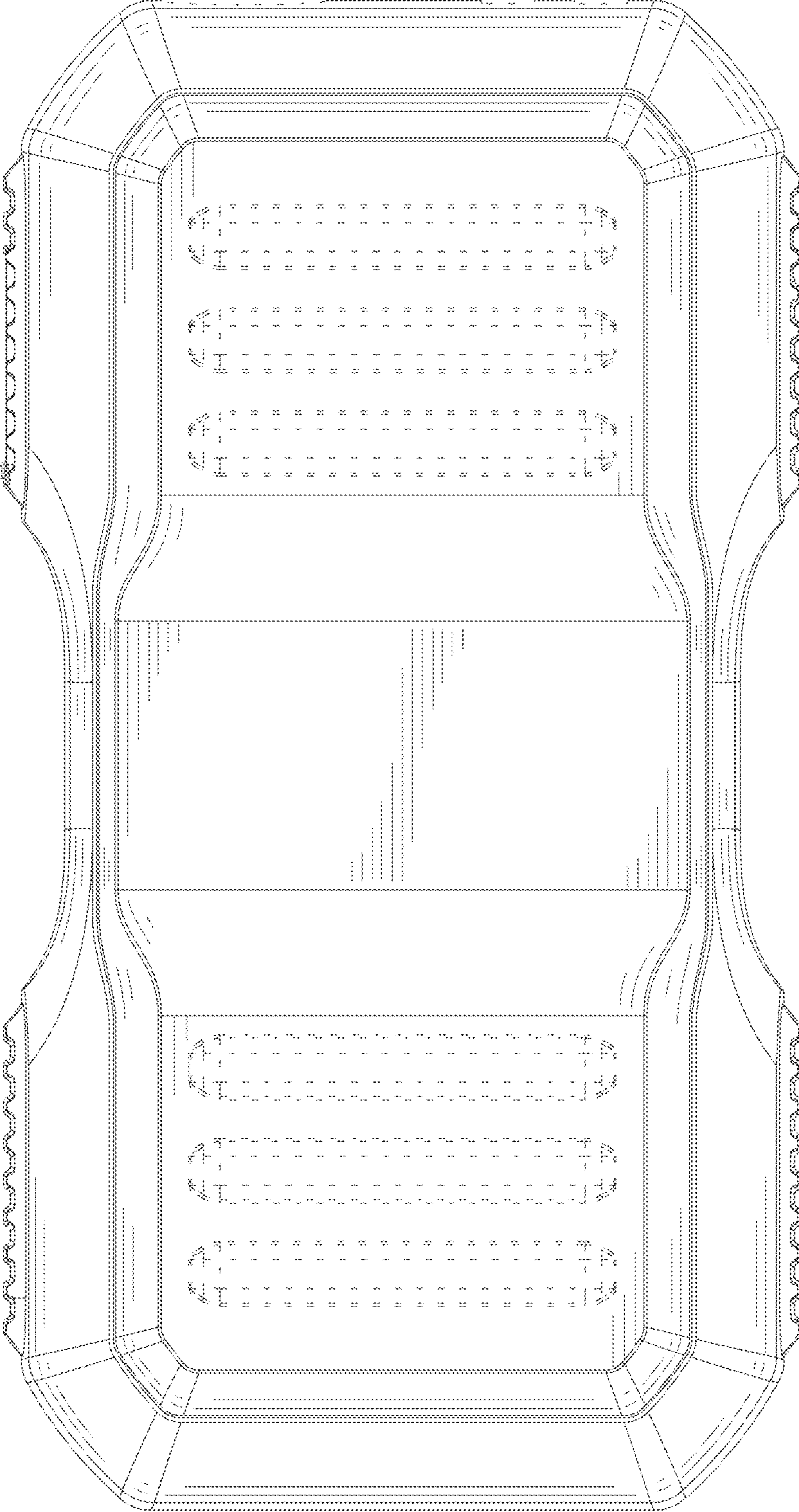


FIG.2

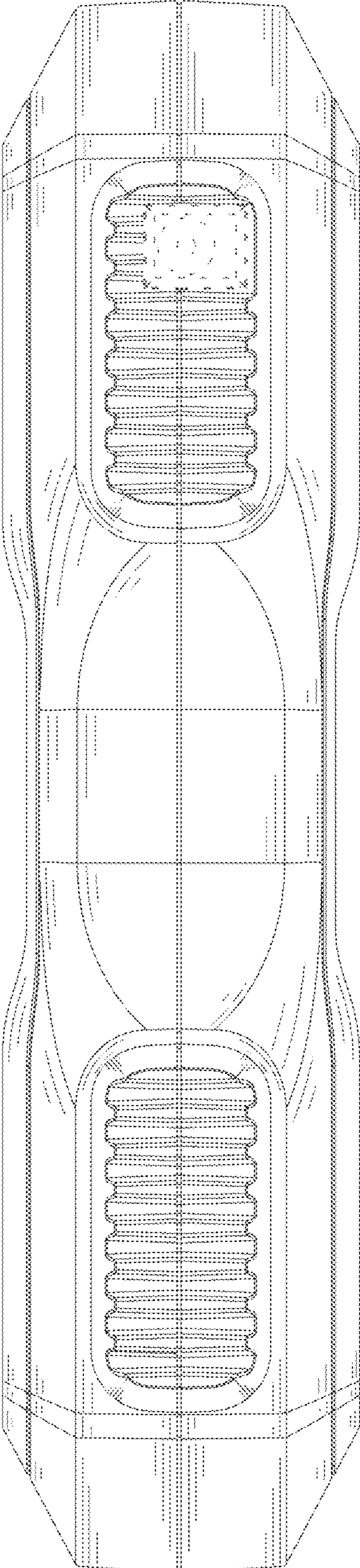


FIG.3

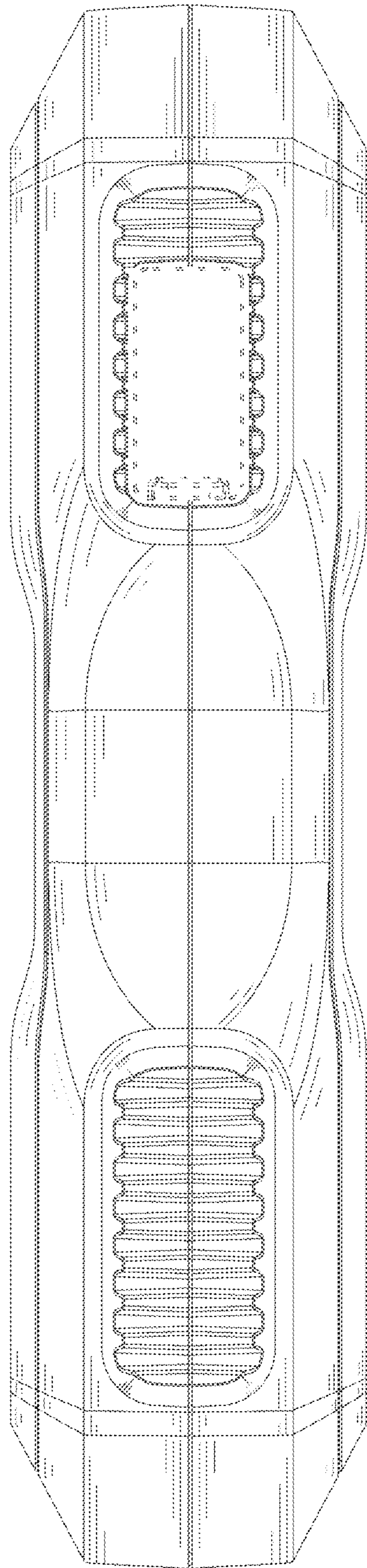


FIG.4

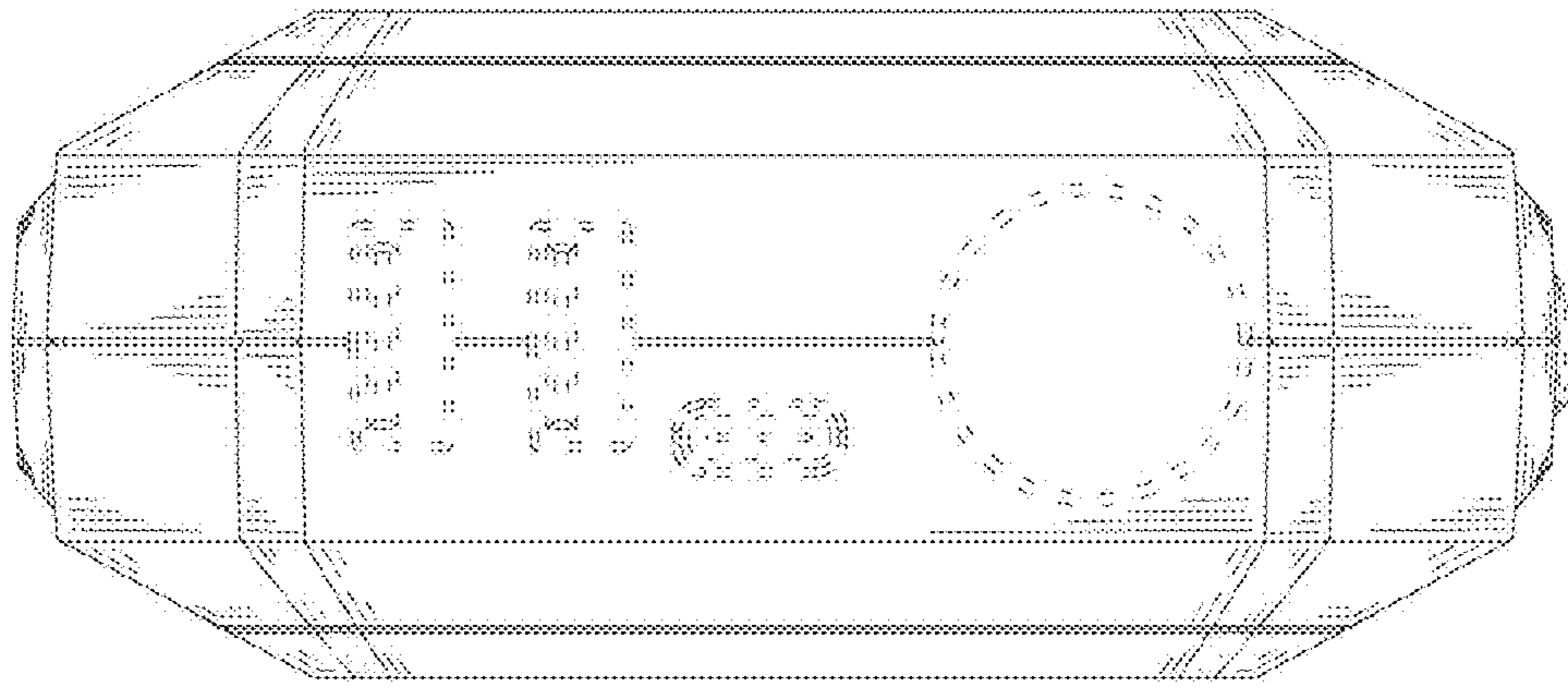


FIG. 5

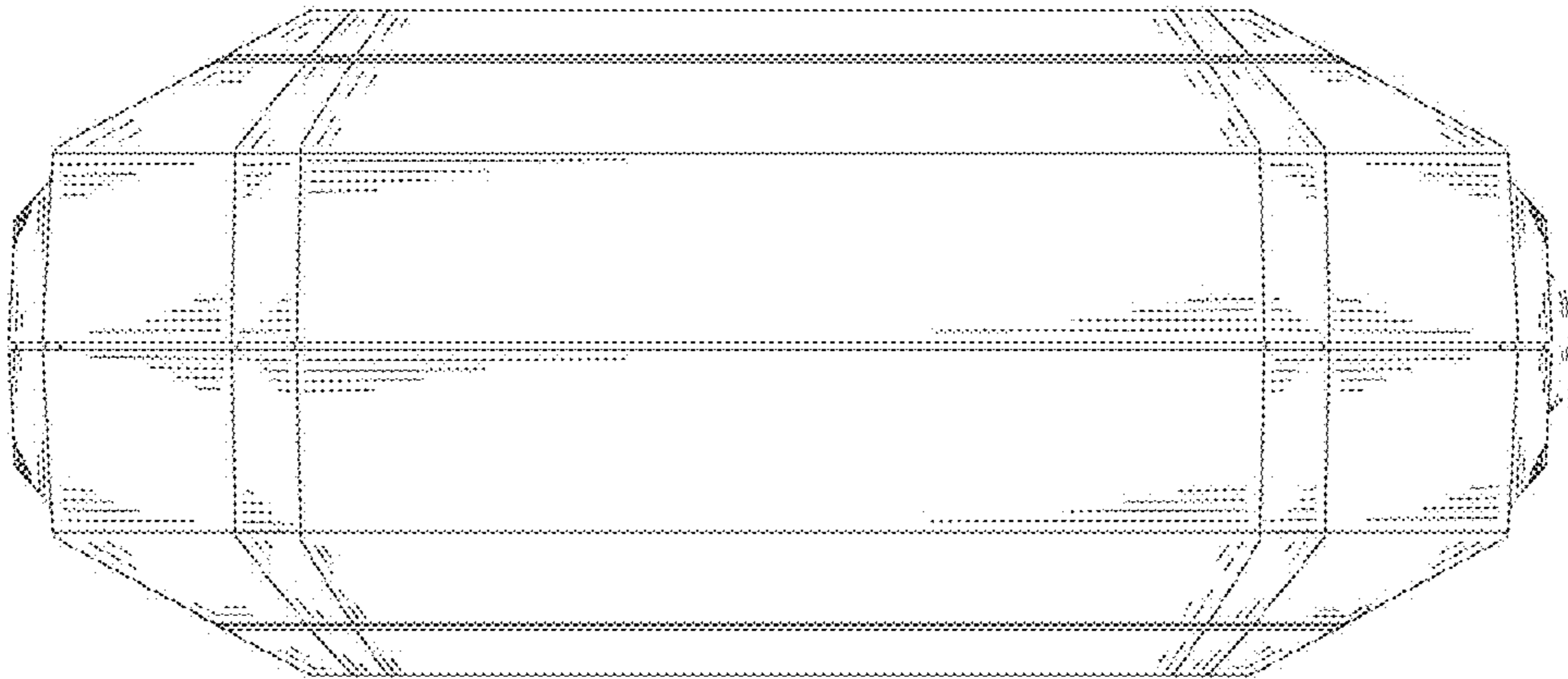


FIG. 6

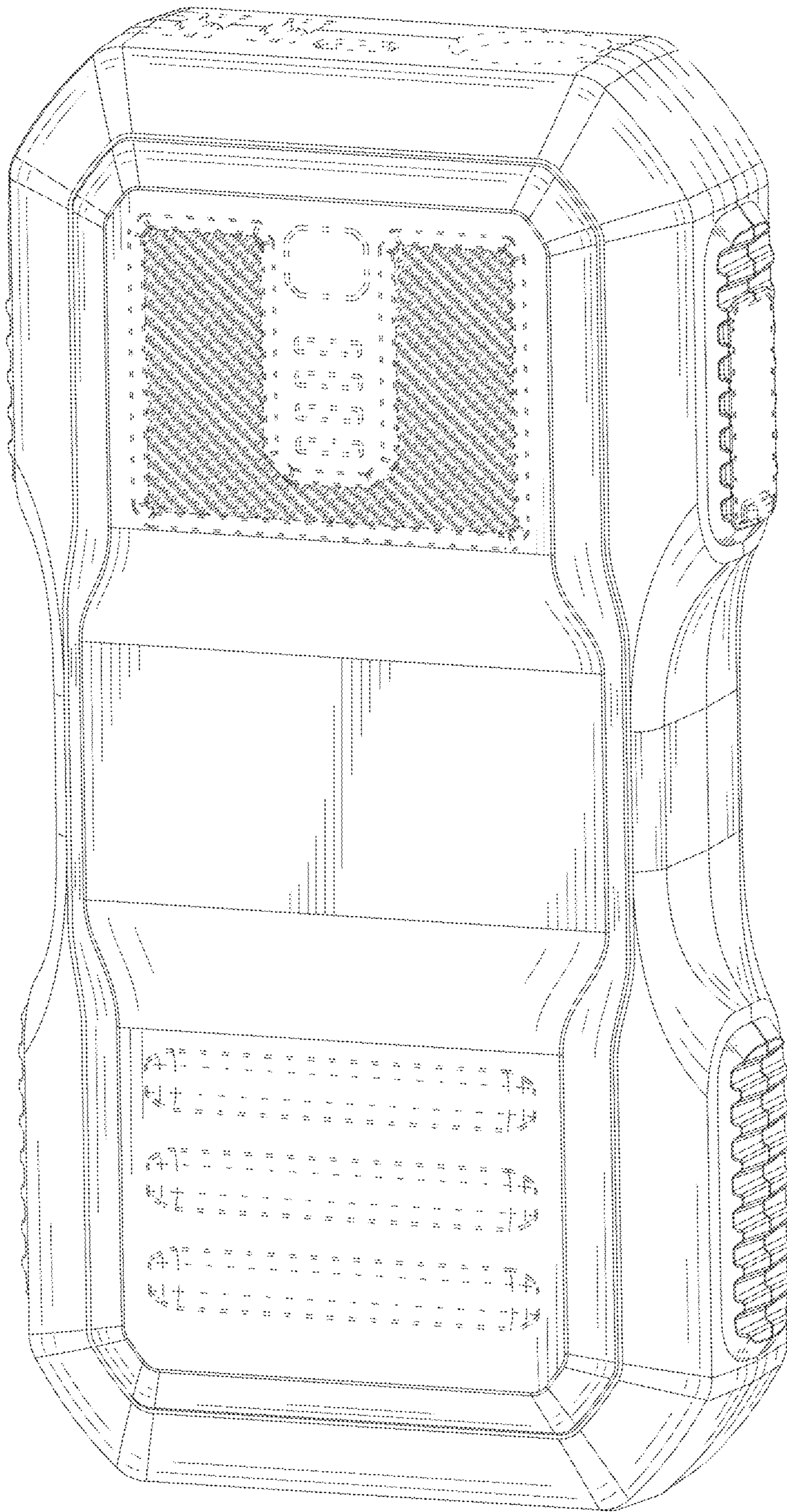


FIG.7

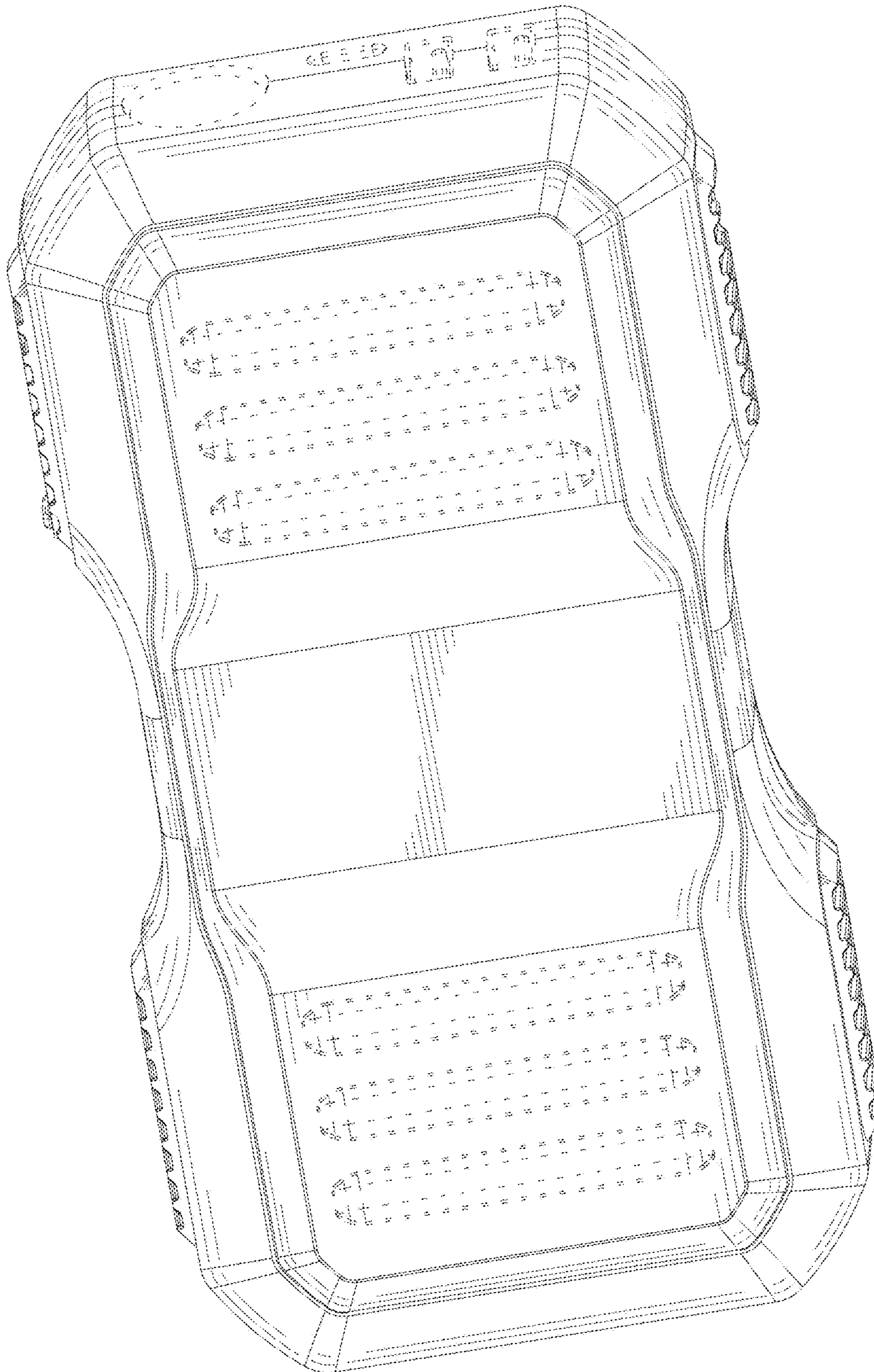


FIG.8