



US00D976201S

(12) **United States Design Patent**
Li

(10) **Patent No.:** **US D976,201 S**

(45) **Date of Patent:** **** Jan. 24, 2023**

(54) **CHARGER**

(71) Applicant: **Jiang Li**, Guangdong (CN)

(72) Inventor: **Jiang Li**, Guangdong (CN)

(**) Term: **15 Years**

(21) Appl. No.: **29/795,925**

(22) Filed: **Jun. 22, 2021**

(51) **LOC (14) Cl.** **13-02**

(52) **U.S. Cl.**
USPC **D13/107**

(58) **Field of Classification Search**
USPC D13/107–108, 110, 118–119, 184, 199;
D14/251, 253, 432–434, 447
CPC H02J 7/025; H02J 7/005; H02J 7/02; H02J
7/0026; H02J 7/0042; H02J 7/0044; H02J
7/0045; H02J 7/13; H02J 7/0003
See application file for complete search history.

(56) **References Cited**

U.S. PATENT DOCUMENTS

D327,247 S *	6/1992	Higuchi	D13/108
D328,450 S *	8/1992	Watanabe	D13/108
D349,485 S *	8/1994	Richards	D13/107
D408,352 S *	4/1999	Tashiro	D13/107
D462,657 S *	9/2002	Kaneko	D13/107
D487,570 S *	3/2004	Ito	D13/107
D505,913 S *	6/2005	Kam Lun	D13/107
D506,972 S *	7/2005	Parel	D13/107
D507,234 S *	7/2005	Heun	D13/107
D507,525 S *	7/2005	Heun	D13/107
D548,687 S *	8/2007	Okuda	D13/107
D573,089 S *	7/2008	Mandel	D13/107

D601,953 S *	10/2009	Asai	D13/107
D605,111 S *	12/2009	Schoch	D13/107
D610,085 S *	2/2010	Sweeney	D13/107
D621,345 S *	8/2010	Tinius	D13/107
D635,917 S *	4/2011	Okuda	D13/107
D642,518 S *	8/2011	Kokawa	D13/107
D652,793 S *	1/2012	Tschopp	D13/107
D668,219 S *	10/2012	Zhao	D13/107
D721,648 S *	1/2015	Breines	D13/107
D723,458 S *	3/2015	Martinez	D13/108
D839,183 S *	1/2019	Kirkpatrick	D13/107
D840,926 S *	2/2019	Howell	D13/107
D885,331 S *	5/2020	Suzuki	D13/108
D897,948 S *	10/2020	Yrad, Jr.	H01R 13/501
				D13/107
D900,024 S *	10/2020	Kuang	D13/107
D900,025 S *	10/2020	Chen	D13/107
D924,128 S *	7/2021	Hasenmayer	D13/107
D931,803 S *	9/2021	Ge	D13/107

* cited by examiner

Primary Examiner — Rosemary K Tarcza

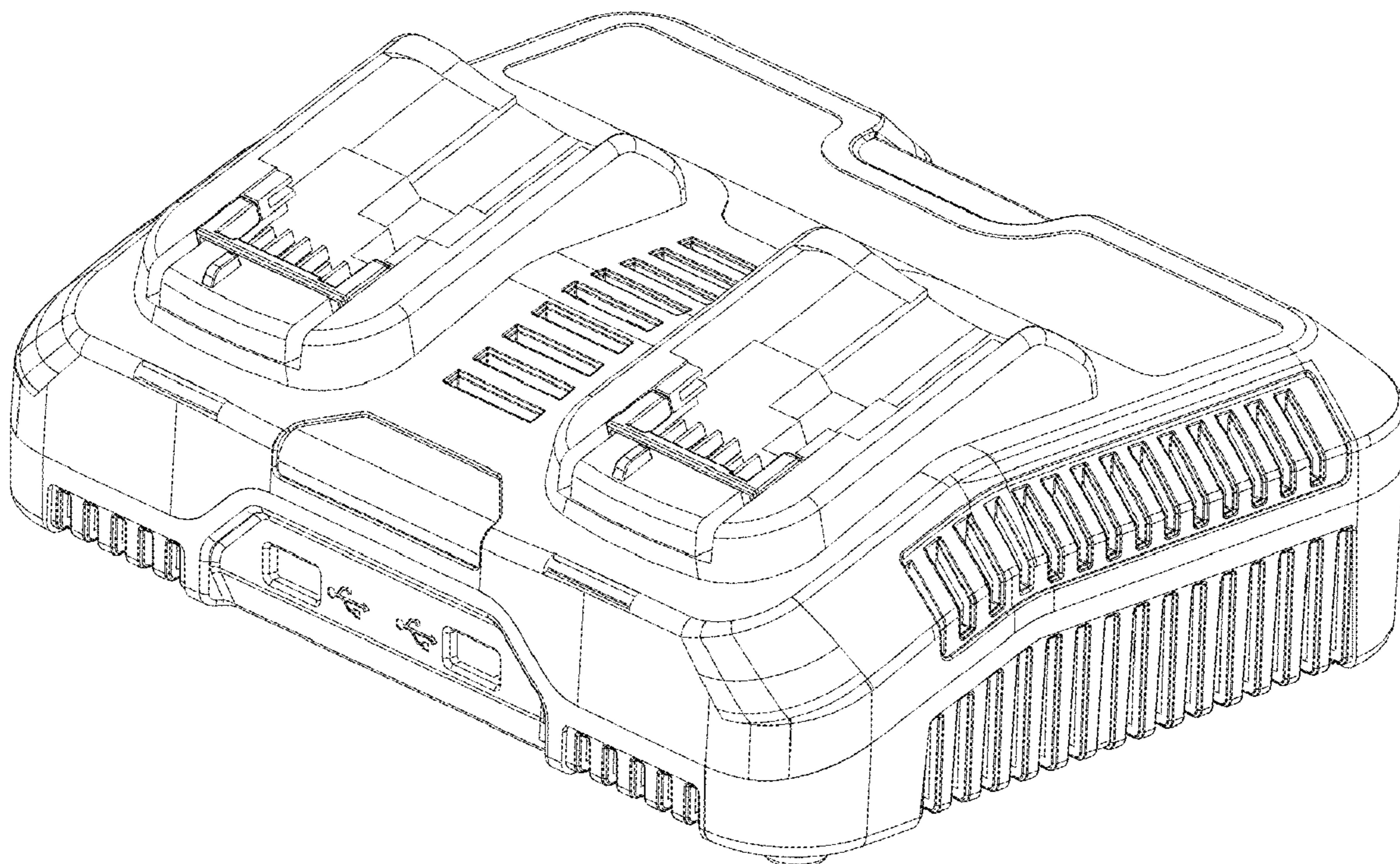
(57) **CLAIM**

The ornamental design for a charger, as shown.

DESCRIPTION

FIG. 1 is a front elevational view of a charger showing my new design;
FIG. 2 is a left side view thereof;
FIG. 3 is a right side view thereof;
FIG. 4 is a top plan view thereof;
FIG. 5 is a bottom plan view thereof;
FIG. 6 is a perspective view thereof; and,
FIG. 7 is another perspective view thereof.

1 Claim, 7 Drawing Sheets



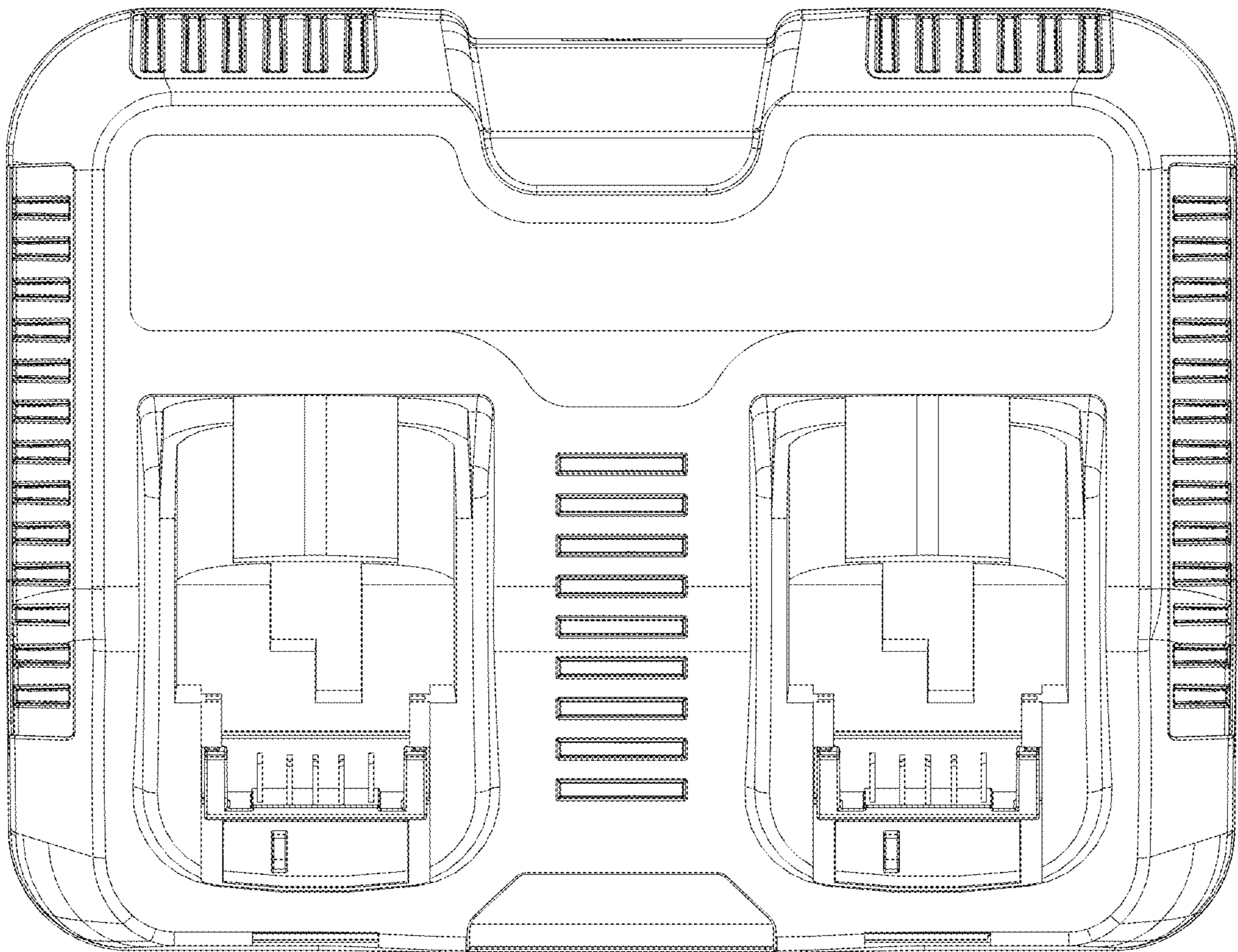


FIG. 1

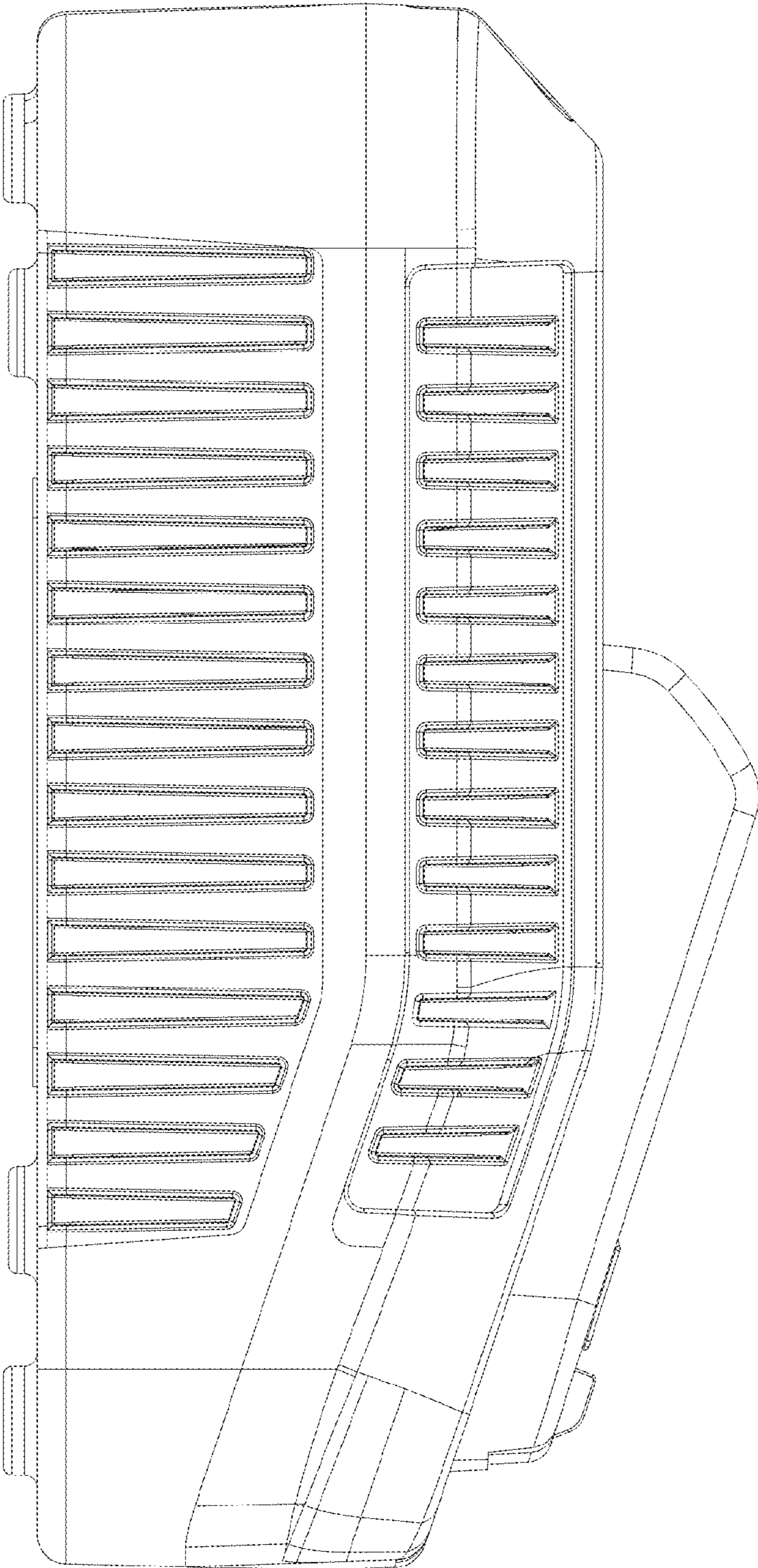


FIG. 2

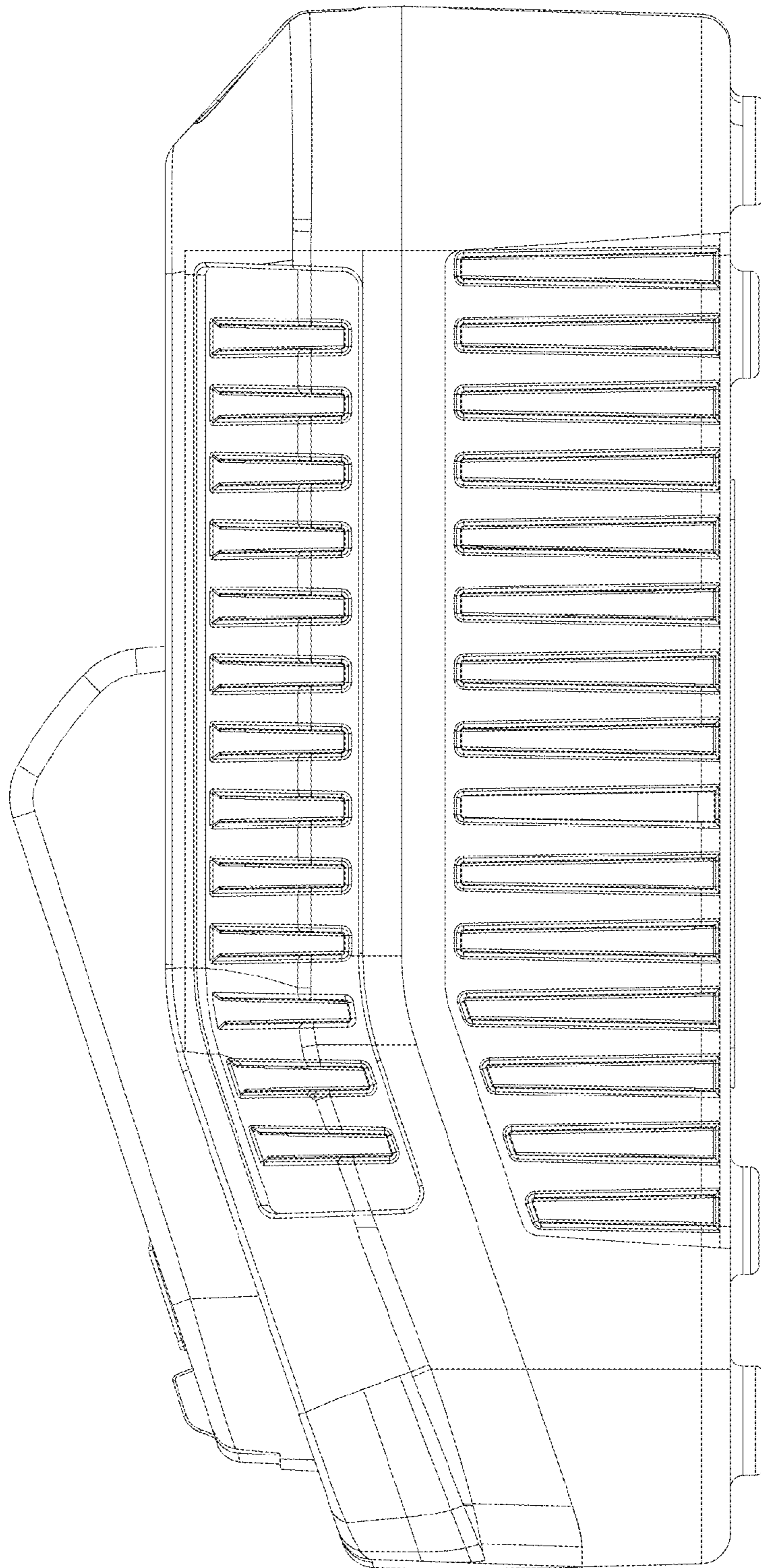


FIG. 3

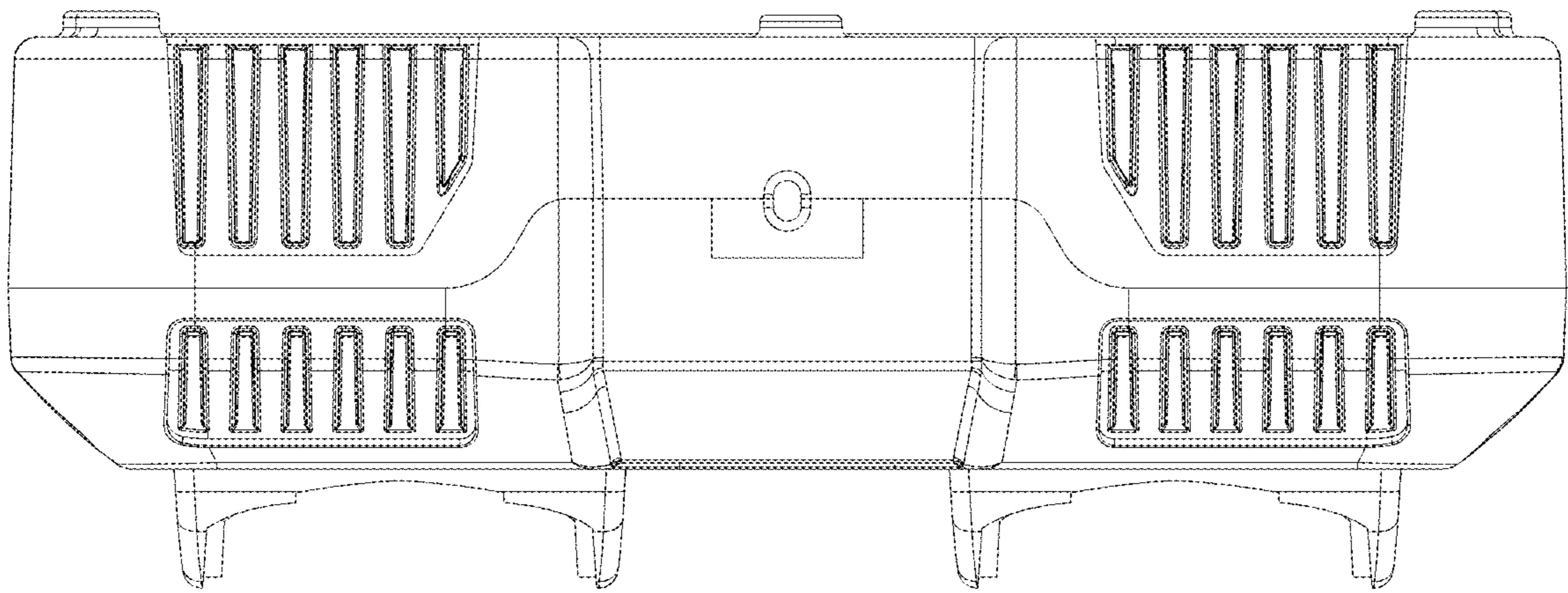


FIG. 4

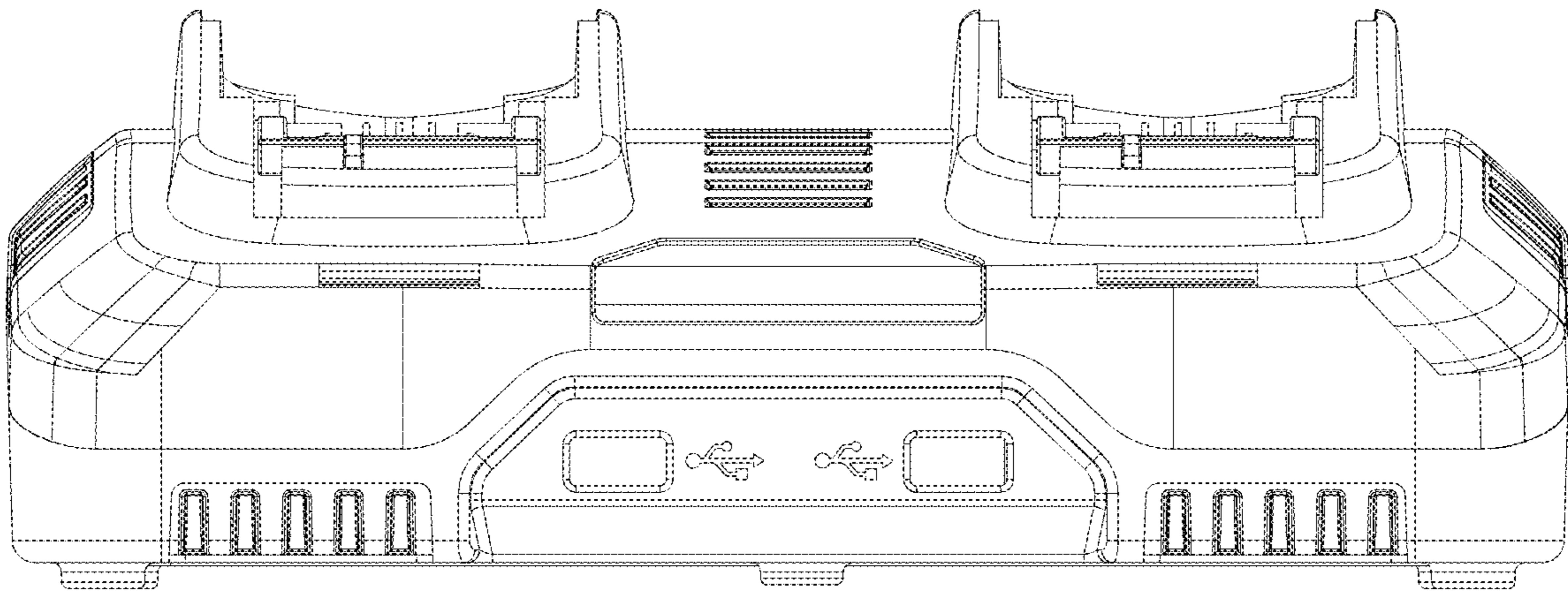


FIG. 5

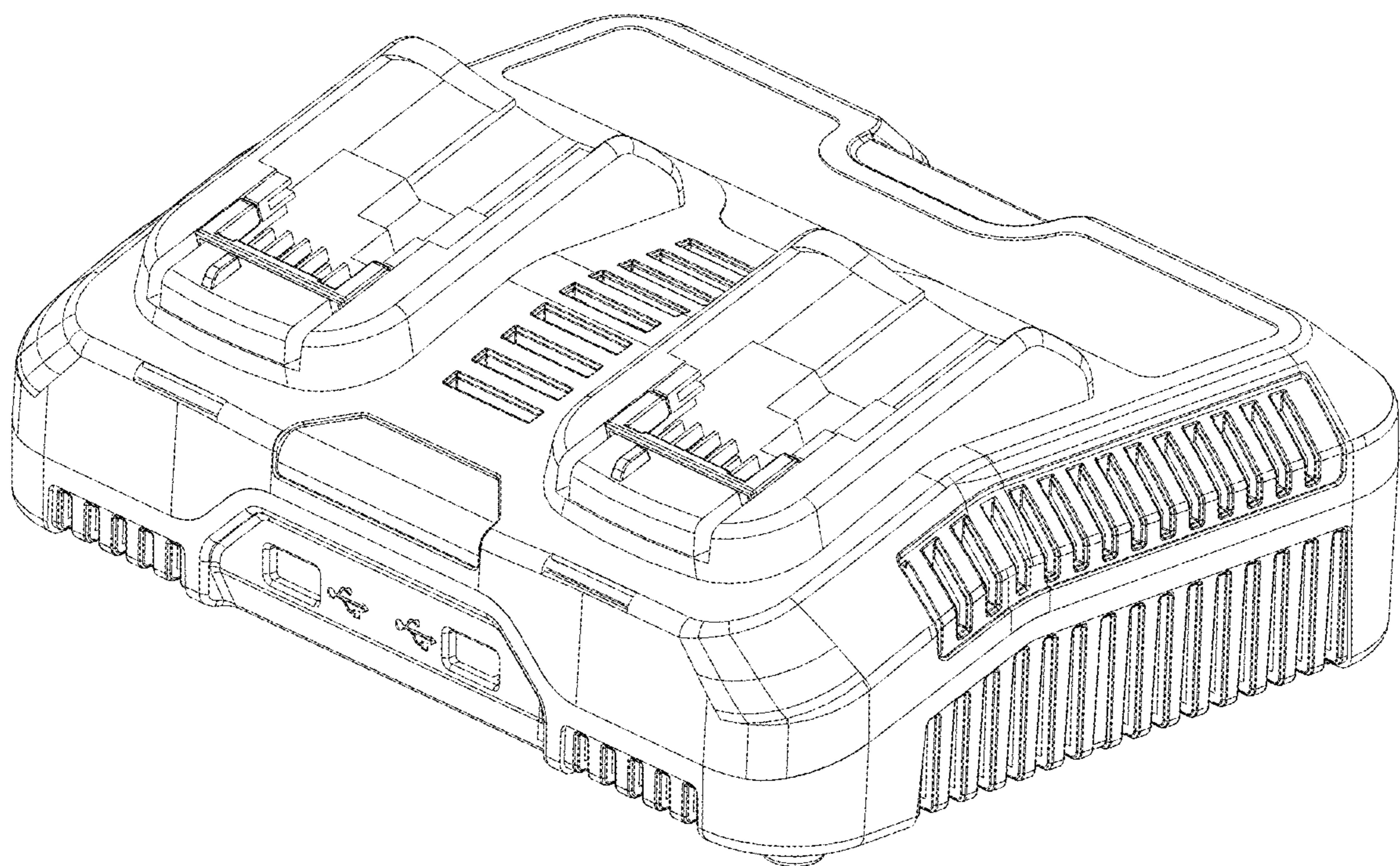


FIG. 6

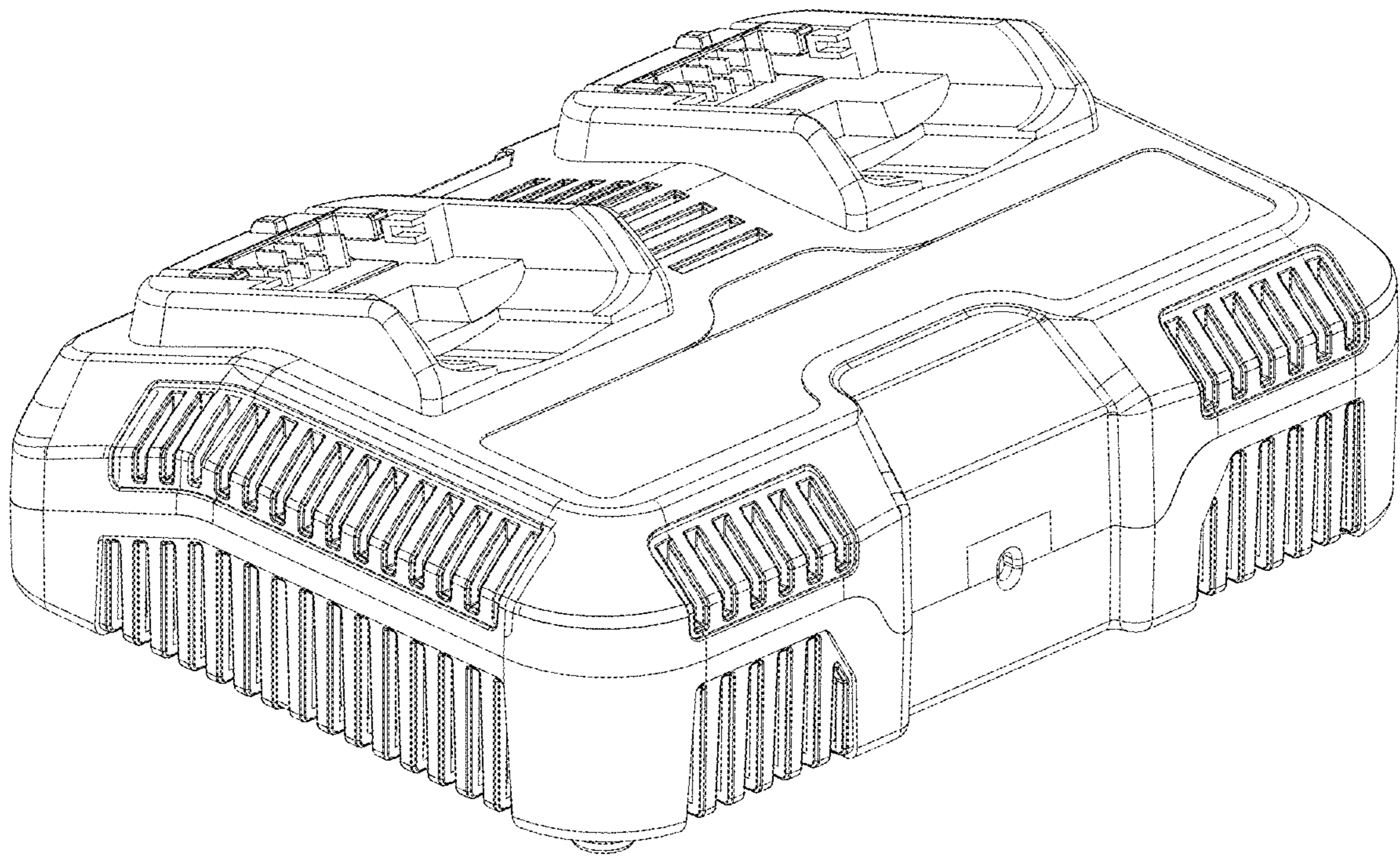


FIG. 7