



US00D976199S

(12) **United States Design Patent** (10) **Patent No.:** **US D976,199 S**
Jorgensen et al. (45) **Date of Patent:** **** Jan. 24, 2023**

(54) **POWER DISTRIBUTION UNIT FOR SHIPYARD FABRICATION**

(71) Applicant: **JNT Technical Services, Inc.**, Little Ferry, NJ (US)
(72) Inventors: **Glenn F. Jorgensen**, Little Ferry, NJ (US); **Ryan J. Jorgensen**, Little Ferry, NJ (US)
(**) Term: **15 Years**

(21) Appl. No.: **29/746,143**

(22) Filed: **Aug. 12, 2020**

(51) **LOC (14) Cl.** **13-02**

(52) **U.S. Cl.**
USPC **D13/107**; D13/123

(58) **Field of Classification Search**
USPC D13/103, 107, 108, 109, 110, 112, 114, D13/116, 118, 122, 123, 152, 184, 199; D34/28

CPC H05K 5/00; H02J 15/00; H02J 50/05
See application file for complete search history.

(56) **References Cited**

U.S. PATENT DOCUMENTS

D250,015 S *	10/1978	Schwartz	D13/107
D341,961 S *	12/1993	Howden	D14/308
D356,292 S *	3/1995	Kelly	D13/123
D501,182 S *	1/2005	Buck	D13/110
D511,136 S *	11/2005	Hirschburger	D13/107
8,084,686 B2 *	12/2011	Ladewig	H05K 5/0021 439/535
D682,218 S *	5/2013	Takata	D13/152
D719,090 S *	12/2014	Shinada	D13/107
D821,311 S *	6/2018	Beer	D13/110
D847,374 S *	4/2019	Trudell	D12/41
D851,592 S *	6/2019	Poikolainen	D13/123
10,392,226 B2 *	8/2019	Hida	B66B 9/00
2006/0201929 A1 *	9/2006	Jorgensen	H05B 3/0014 219/497

OTHER PUBLICATIONS

“Shipyard Power”. Found online Mar. 21, 2022 at eslpwr.com. Reference dated Feb. 15, 2013. Retrieved from https://tineye.com/search/c681a45a8b35be8a4e6d42431b9645aa3465a010?sort=crawl_date&order=asc&page=1. (Year: 2013).*
“Larson Portable Power Distribution”. Found online Mar. 22, 2022 at amazon.com. Reference dated Apr. 28, 2018. Retrieved from <https://www.amazon.com/KVA-Portable-Power-Distribution-Receptacle/dp/B07CQBZNNX>. (Year: 2018).*
“CEP Portable Distribution Cart for Generators”. Found online Mar. 22, 2022 at northerntools.com. Reference dated Jan. 31, 2016. Retrieved from https://tineye.com/search/d5423cf24b401f2694f49e2b3e88b5d0a15d7cb7?sort=crawl_date&order=asc&page=1. (Year: 2016).*

* cited by examiner

Primary Examiner — Kendra Leslie Hamilton
Assistant Examiner — Amanda Christensen

(74) *Attorney, Agent, or Firm* — David Nocilly

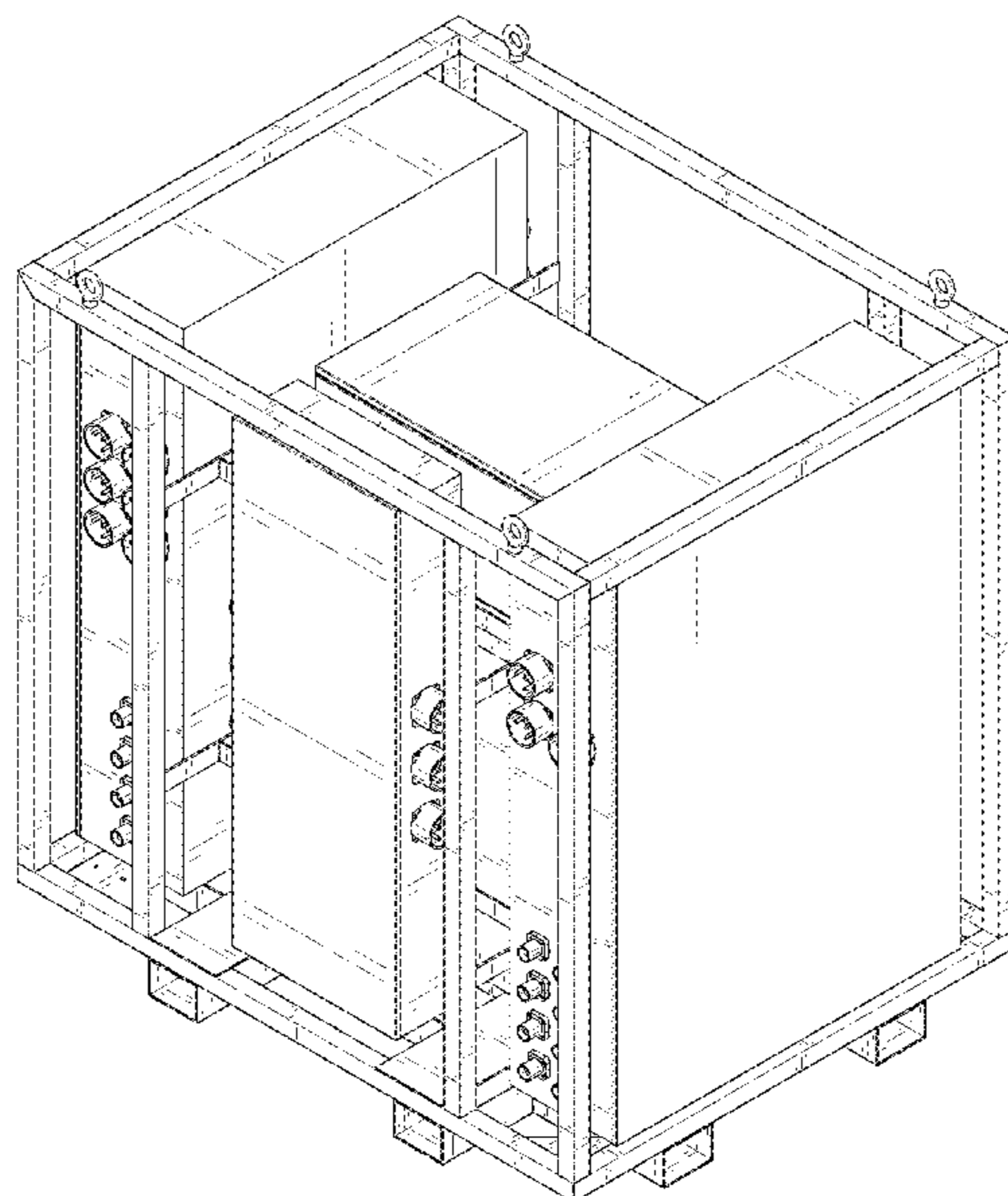
(57) **CLAIM**

The ornamental design for a power distribution unit for shipyard fabrication, as shown and described.

DESCRIPTION

FIG. 1 is a top, front, right side perspective view of a power distribution unit for shipyard fabrication;
FIG. 2 is a front view thereof;
FIG. 3 is a rear view thereof;
FIG. 4 is a left side view thereof;
FIG. 5 is a right side view thereof;
FIG. 6 is a top plan thereof; and,
FIG. 7 is a bottom plan thereof.
The broken lines in the drawing depict portions of the power distribution unit for shipyard fabrication that form no part of the claimed design.

1 Claim, 7 Drawing Sheets



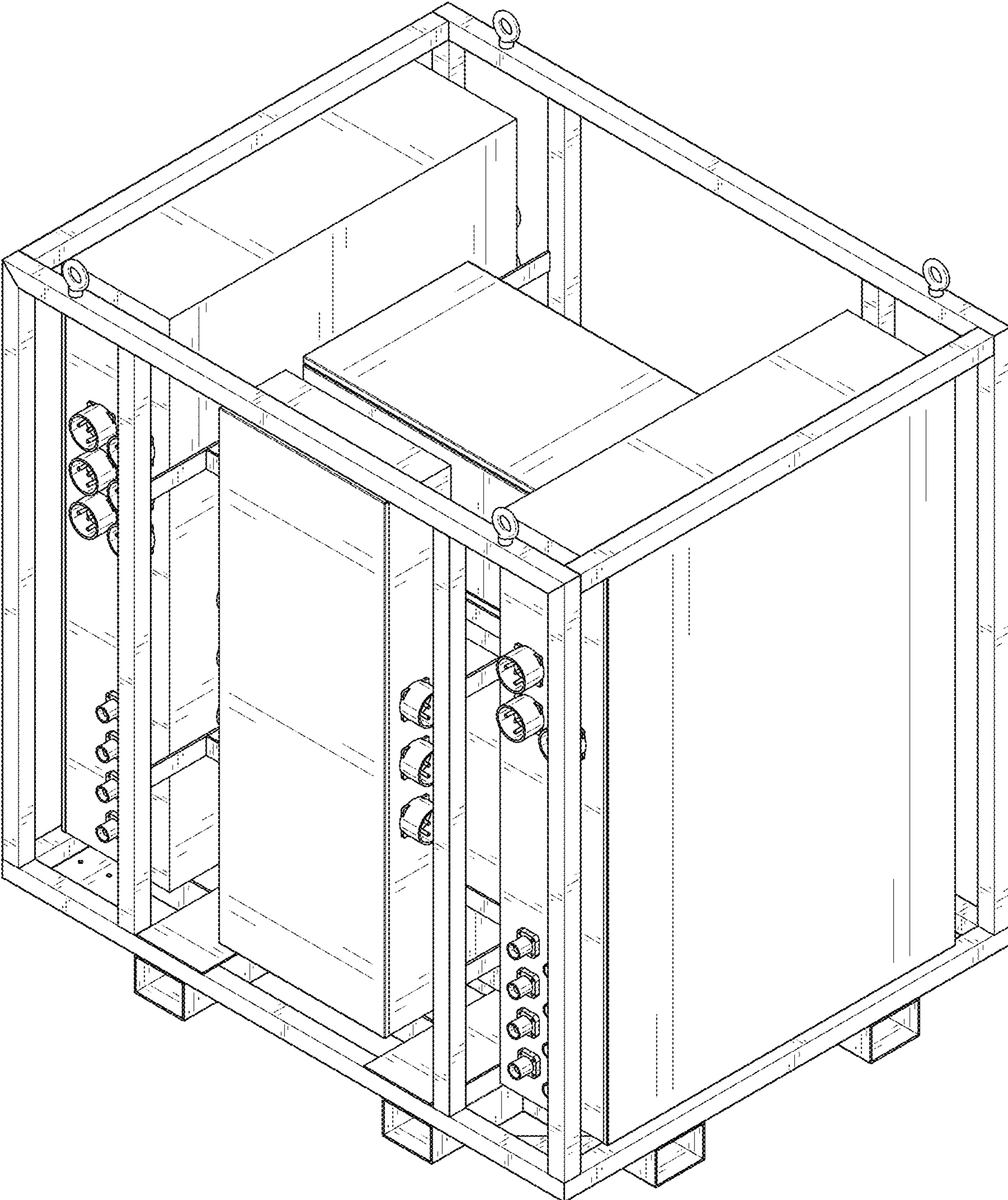


FIG. 1

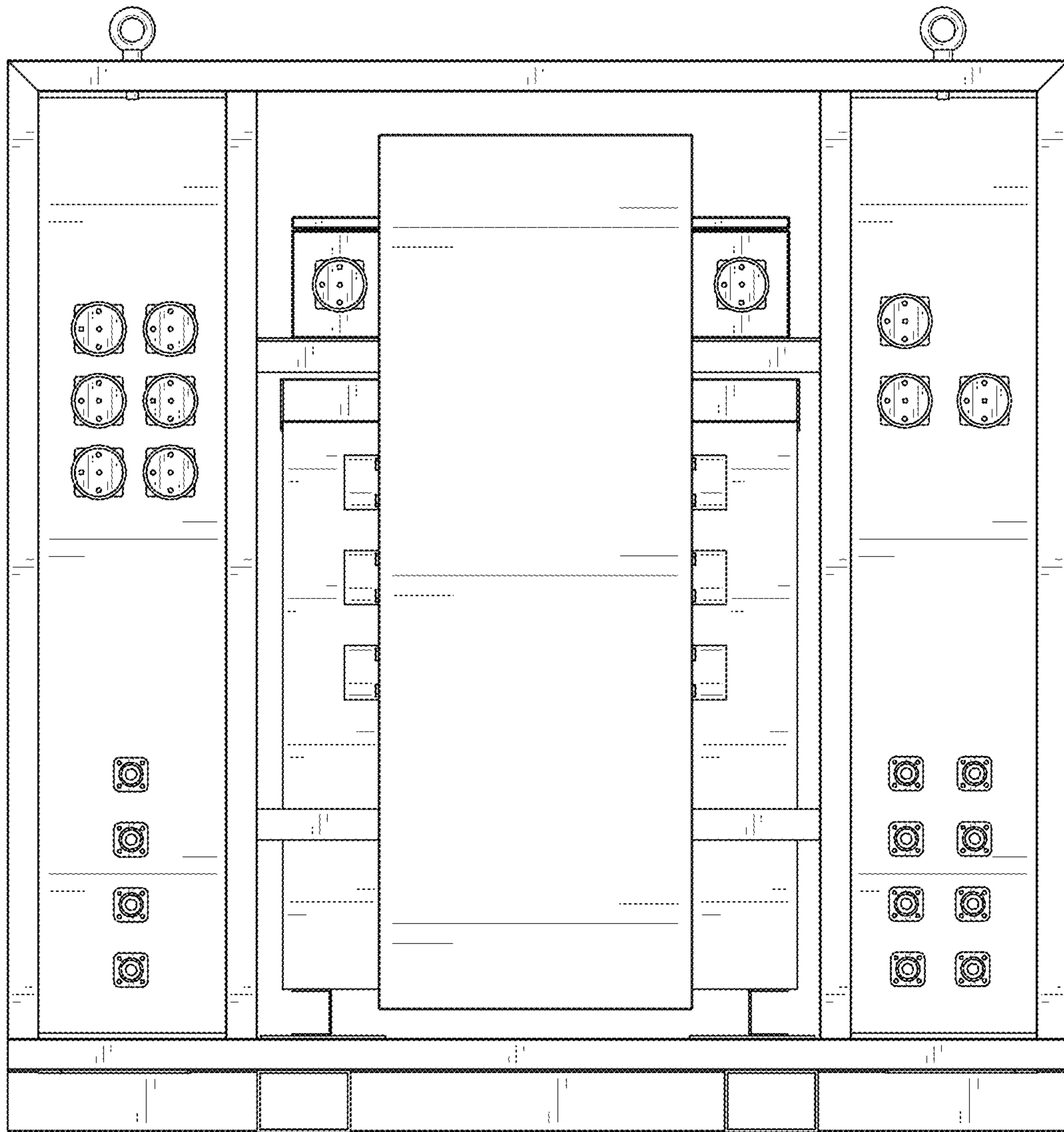


FIG. 2

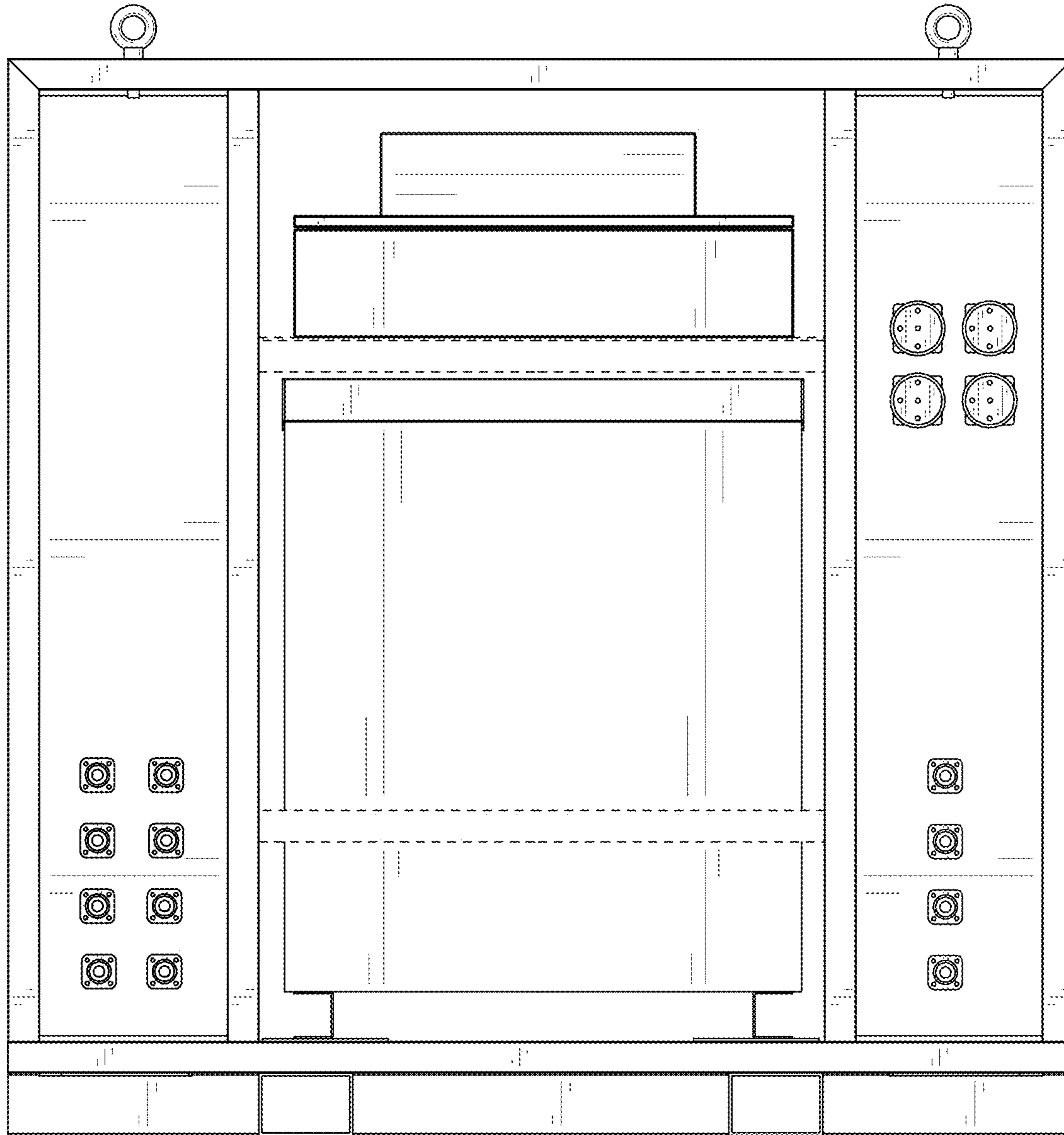


FIG. 3

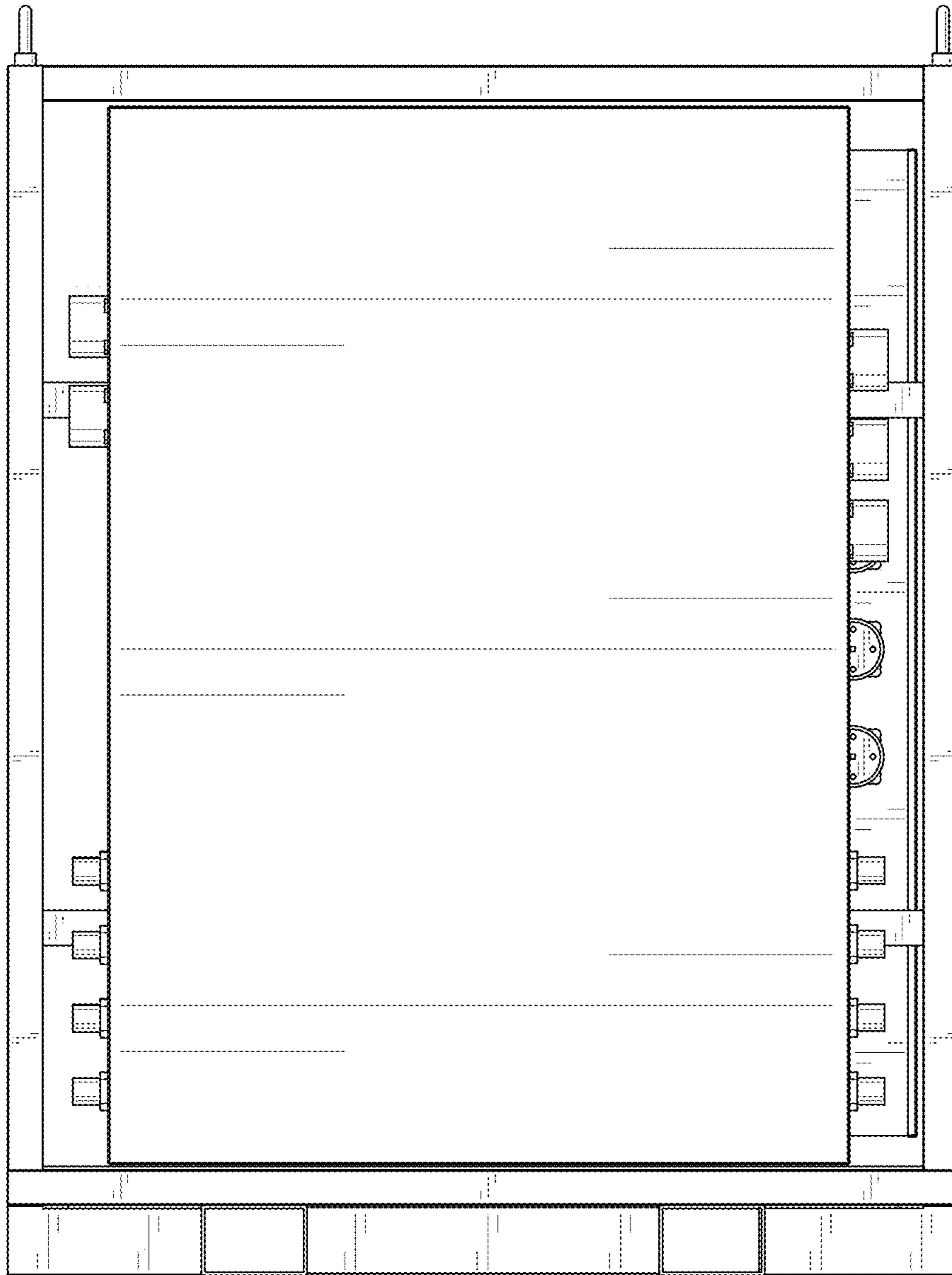


FIG. 4

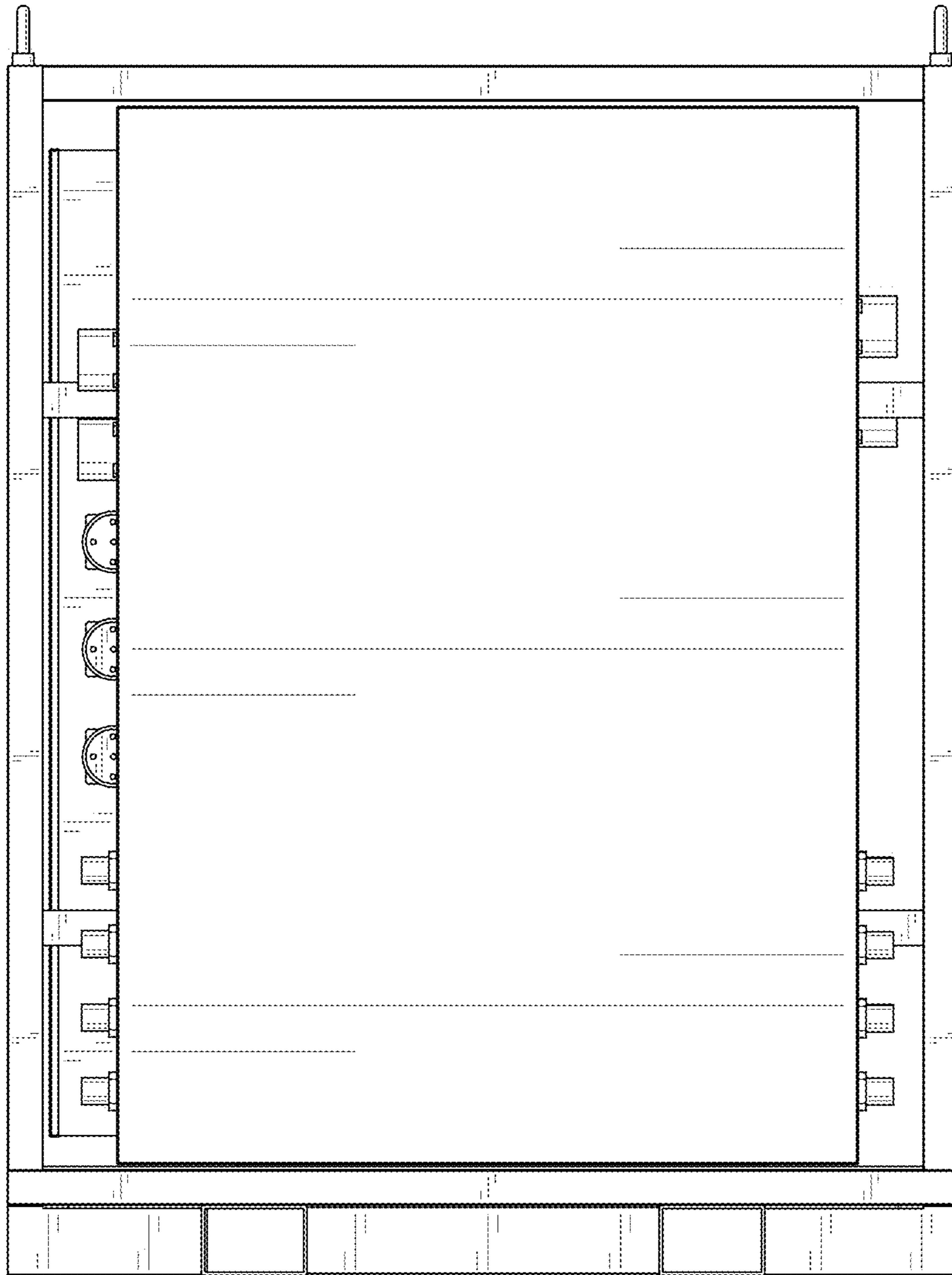


FIG. 5

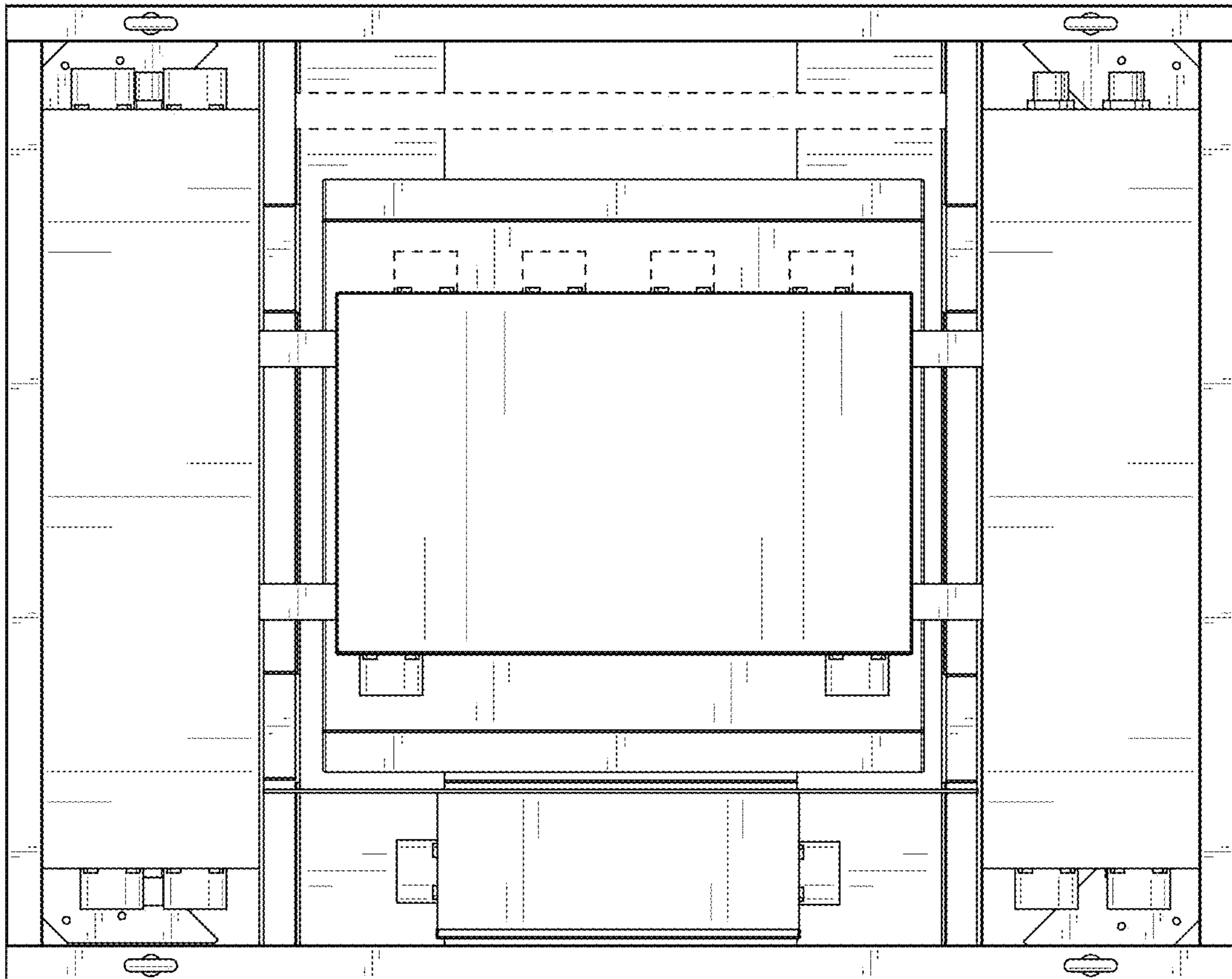


FIG. 6

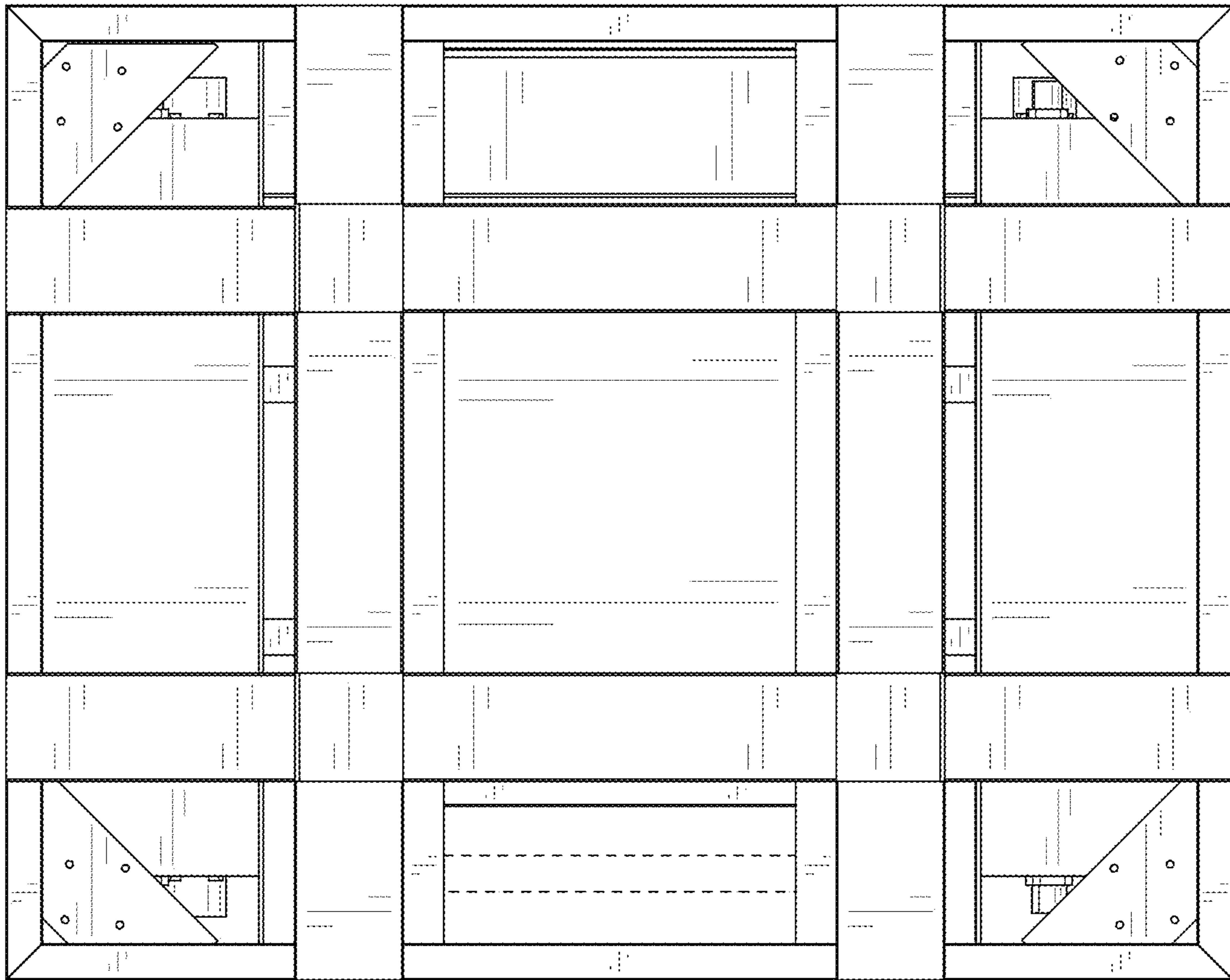


FIG. 7