



US00D976197S

(12) **United States Design Patent**
Hjort et al.

(10) **Patent No.:** **US D976,197 S**
(45) **Date of Patent:** **** Jan. 24, 2023**

(54) **HUB AND BATTERY**

(71) Applicant: **Lego A/S**, Billund (DK)
(72) Inventors: **Sebastian Hjort**, Billund (DK); **Jacob Thomsen Juhl**, Billund (DK); **Ole Terp**, Billund (DK); **Rene Christensen Wellejus**, Billund (DK); **Jonathan Nikolas Ørnstrup**, Billund (DK); **Arthur Sacek**, Billund (DK)

(73) Assignee: **LEGO A/S**, Billund (DK)

(**) Term: **15 Years**

(21) Appl. No.: **29/775,749**

(22) Filed: **Mar. 25, 2021**

(51) **LOC (14) Cl.** **13-02**

(52) **U.S. Cl.**
USPC **D13/103**

(58) **Field of Classification Search**
USPC D12/110, 111, 114, 117; D21/432, 538;
D13/102–104, 110, 118–121, 184, 199
CPC B62K 11/00; B62K 11/02; B62K 11/04;
B62K 11/10; B62K 17/00; B62K 19/00;
B62K 2202/00; H01M 2/30; H01M 2/105
See application file for complete search history.

(56) **References Cited**

U.S. PATENT DOCUMENTS

10,770,878	B1 *	9/2020	Nakashima	H02G 3/083
D949,062	S *	4/2022	Chambers	D13/103
2019/0379191	A1 *	12/2019	Kawamura	H02G 3/083
2019/0380549	A1 *	12/2019	Liu	A47L 9/327
2020/0070754	A1 *	3/2020	Tashiro	B60R 16/0238
2020/0100000	A1 *	3/2020	Collins	G08B 25/14
2020/0343703	A1 *	10/2020	Nakashima	B60R 16/0238
2020/0358274	A1 *	11/2020	Goto	H02G 3/085
2021/0083464	A1 *	3/2021	Ohtsuka	H02G 3/088
2022/0091634	A1 *	3/2022	Martin	H05K 5/0239
2022/0114853	A1 *	4/2022	Emde	G07C 9/23
2022/0140297	A1 *	5/2022	Dietrich	H01M 50/20
					429/187
2022/0153498	A1 *	5/2022	Wang	G05D 16/2066

OTHER PUBLICATIONS

Battery and Box. (Design—©Questel) orbit.com. [online PDF] 106 pgs. Print Dates Range Nov. 18, 2021-Oct. 24, 2019 [Retrieved May 25, 2022].*
Bass Pro Shops All-Purpose 12V Power Pack. 2017. Cabelas. https://www.cabelas.com/shop/en/bass-pro-shops-all-purpose-12v-power-pack?ds_e=GOOGLE&ds_c=Cabelas%7CShopping%7CSmart%7CBoating%7CGeneral%7CNAud%7CTopPerf%7CNMT&gclid=EAlalQobChMltZuVyvb79wIvUlyCh25DQLgEAsYASABEgKVmvD_BwE&gclidsrc=aw.ds.*
12 Volt Waterproof Battery Pack. May 4, 2020. TH Marine Supplies. https://thmarinesupplies.com/products/12-volt-waterproof-battery-pack.*

(Continued)

Primary Examiner — George D. Kirschbaum

Assistant Examiner — Suzanne E Tisdell

(74) *Attorney, Agent, or Firm* — Fross Zelnick Lehrman & Zissu, P.C.; Charles T. J. Weigell, Esq.

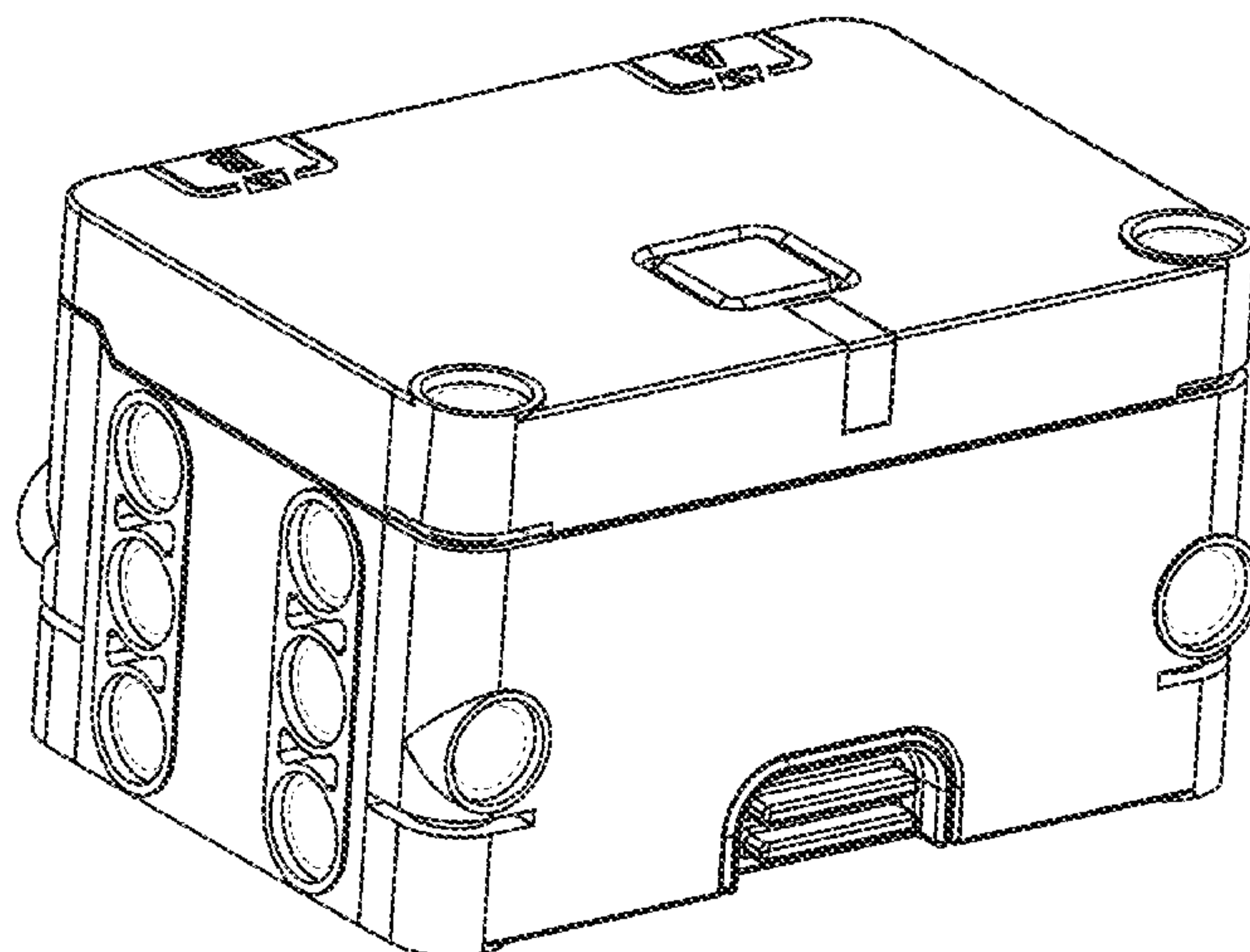
(57) **CLAIM**

The ornamental design for a hub and battery, as shown and described.

DESCRIPTION

FIG. 1 is a front perspective view of the hub and battery showing our new design;
FIG. 2 is a back perspective view thereof;
FIG. 3 is a front view thereof;
FIG. 4 is a back view thereof;
FIG. 5 is a right side view thereof;
FIG. 6 is a left side view thereof;
FIG. 7 is a top view thereof; and,
FIG. 8 is a bottom view thereof.
Broken lines in the figures show portions of the hub and battery that form no part of the claimed design.

1 Claim, 8 Drawing Sheets



(56)

References Cited

OTHER PUBLICATIONS

Lifepo4 Battery pack. Jun. 12, 2021. Amazon. <https://www.amazon.it/Lifepo4-Battery-impermeabile-batteria-sistema/dp/B0974LPF9C>.*

Lego, Explore the Lego Education Spike Prime Hub, published on May 9, 2019, retrieved Jul. 13, 2021, from the Internet URL: <https://www.youtube.com/watch?v=CQaju3M2LbA>.

Lego, Lego® Education Spike™ Prime Set, publicly available as early as Aug. 2019, retrieved Jul. 13, 2021, from the Internet URL: <https://www.lego.com/en-us/product/lego-education-spike-prime-set-45678>.

* cited by examiner

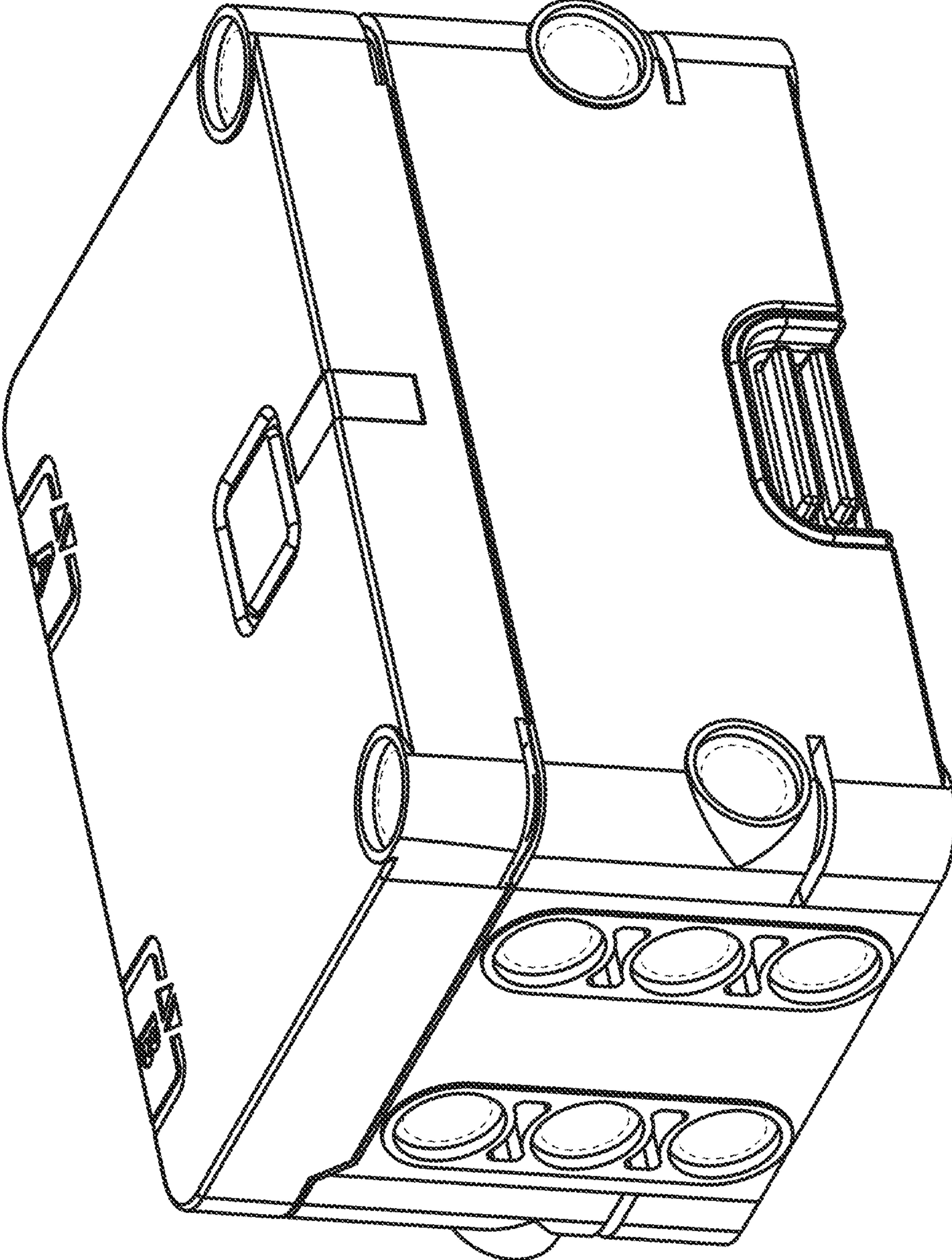


FIG. 1

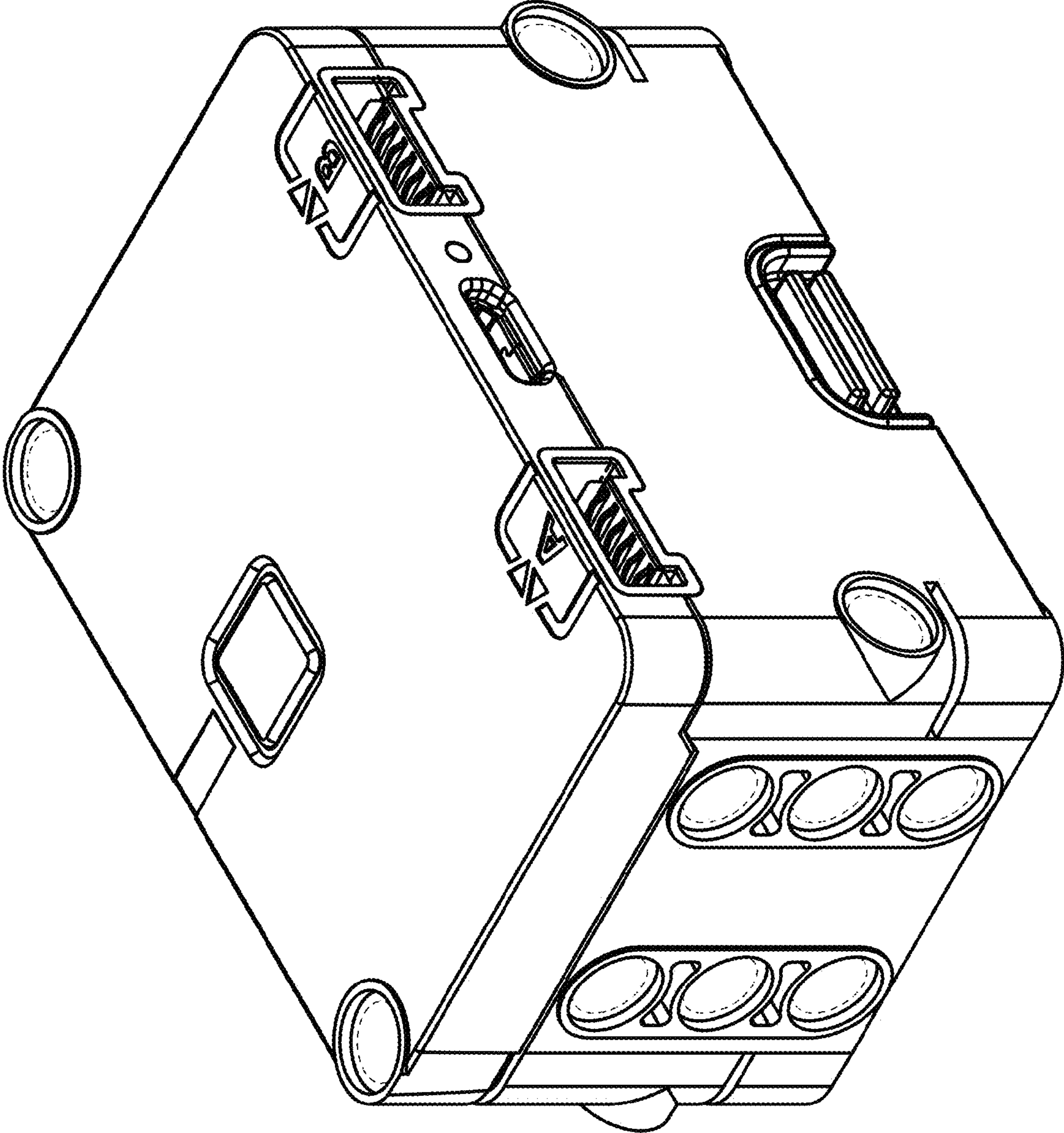


FIG. 2

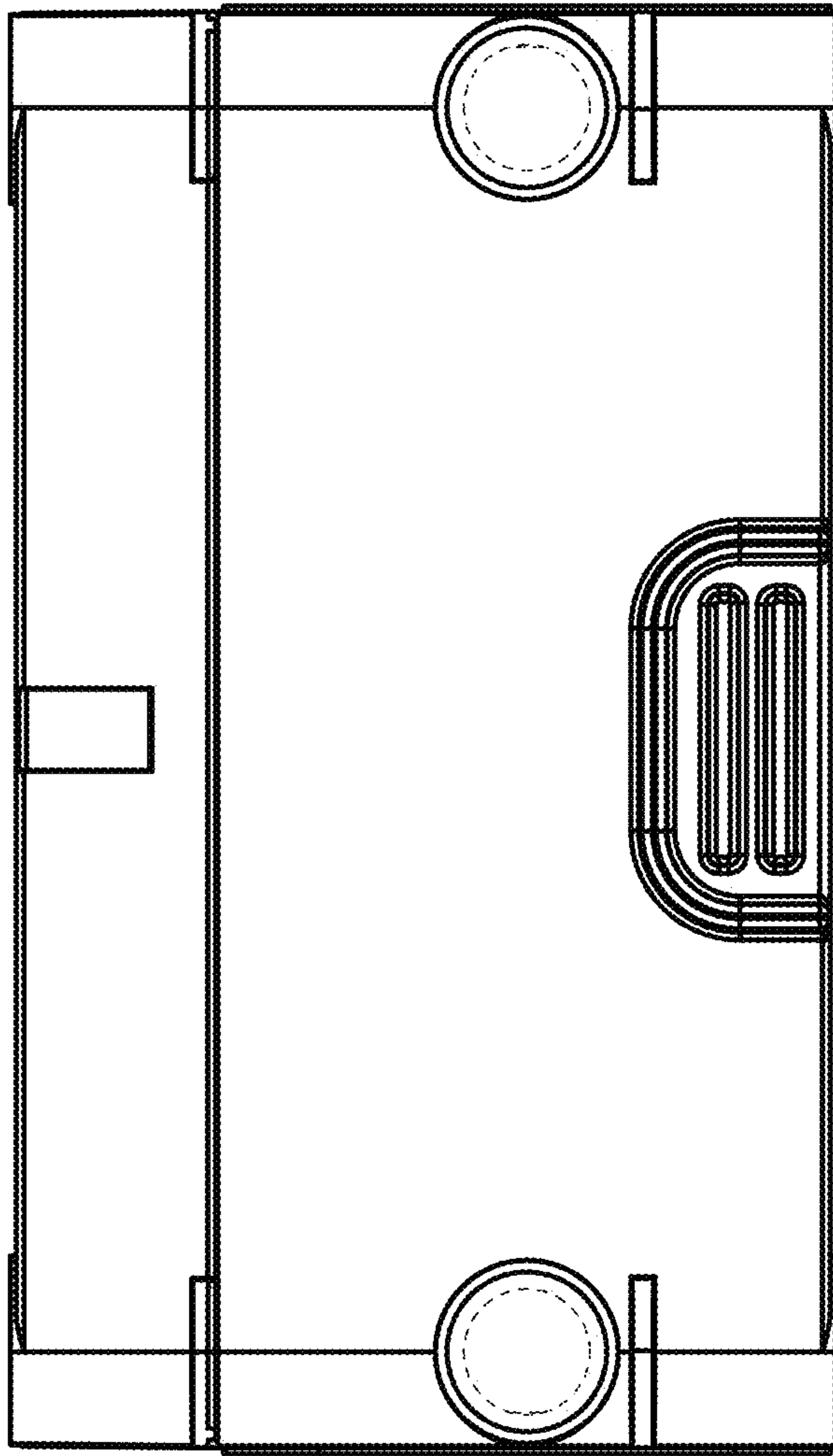


FIG. 3

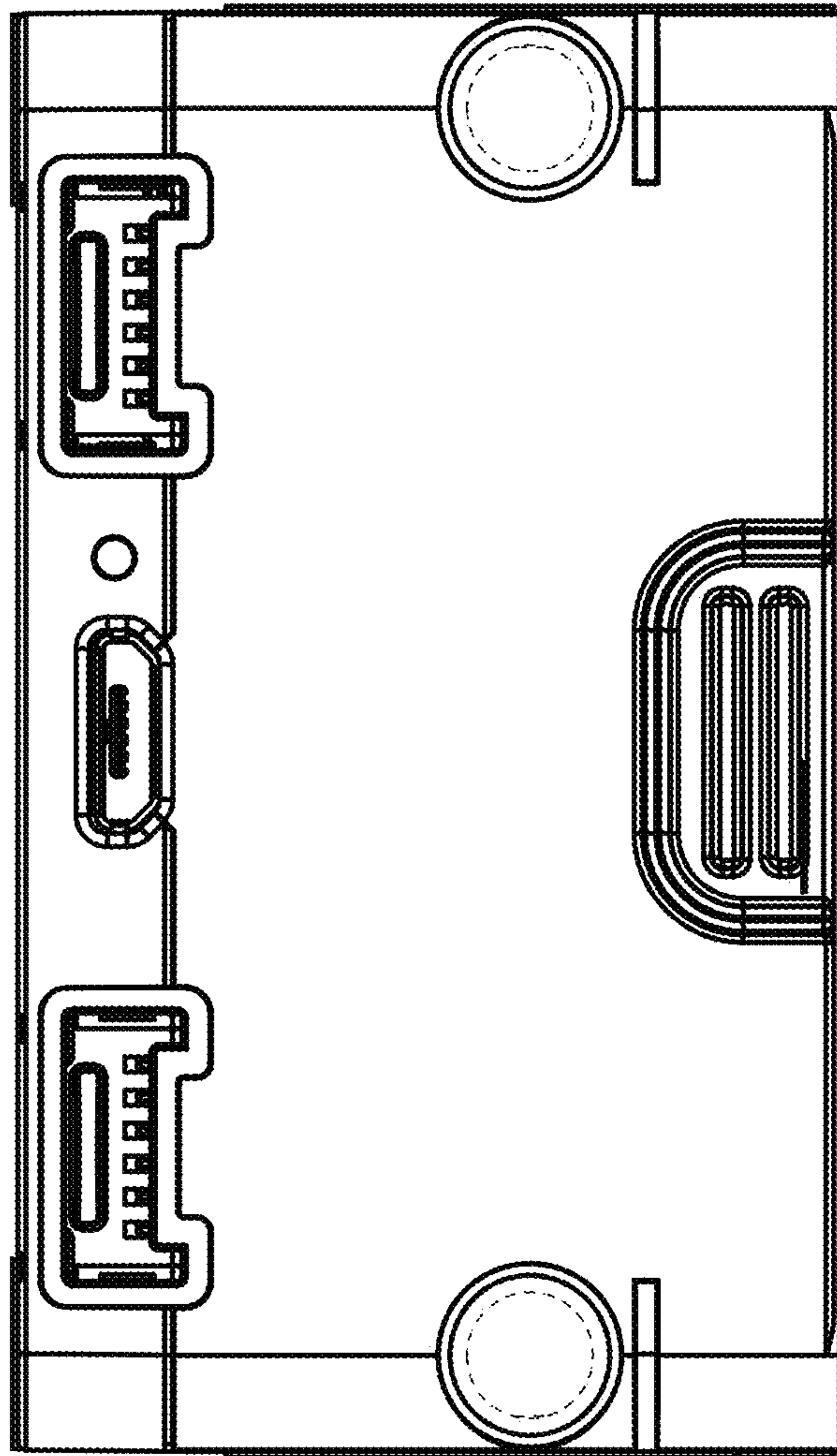


FIG. 4

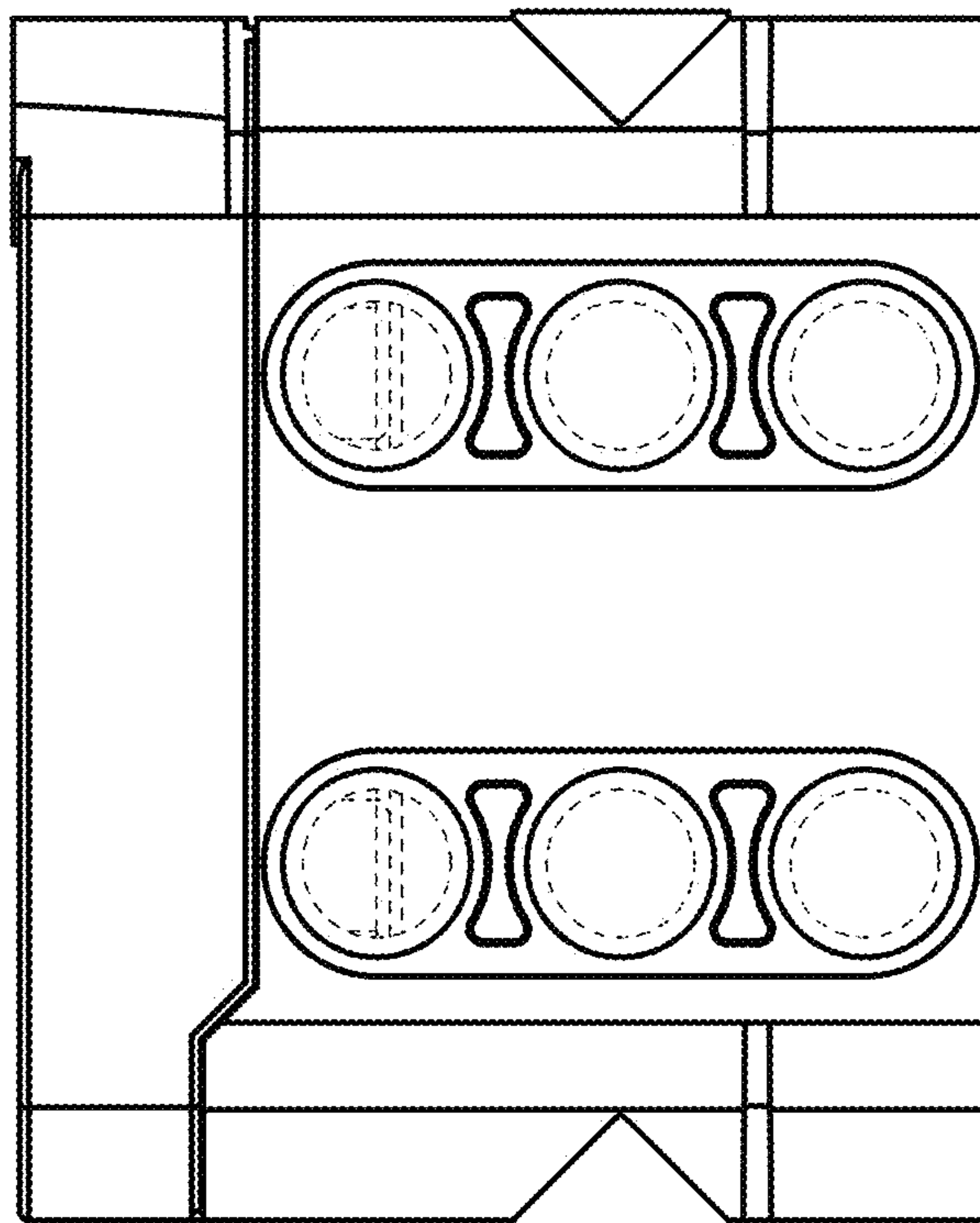


FIG. 5

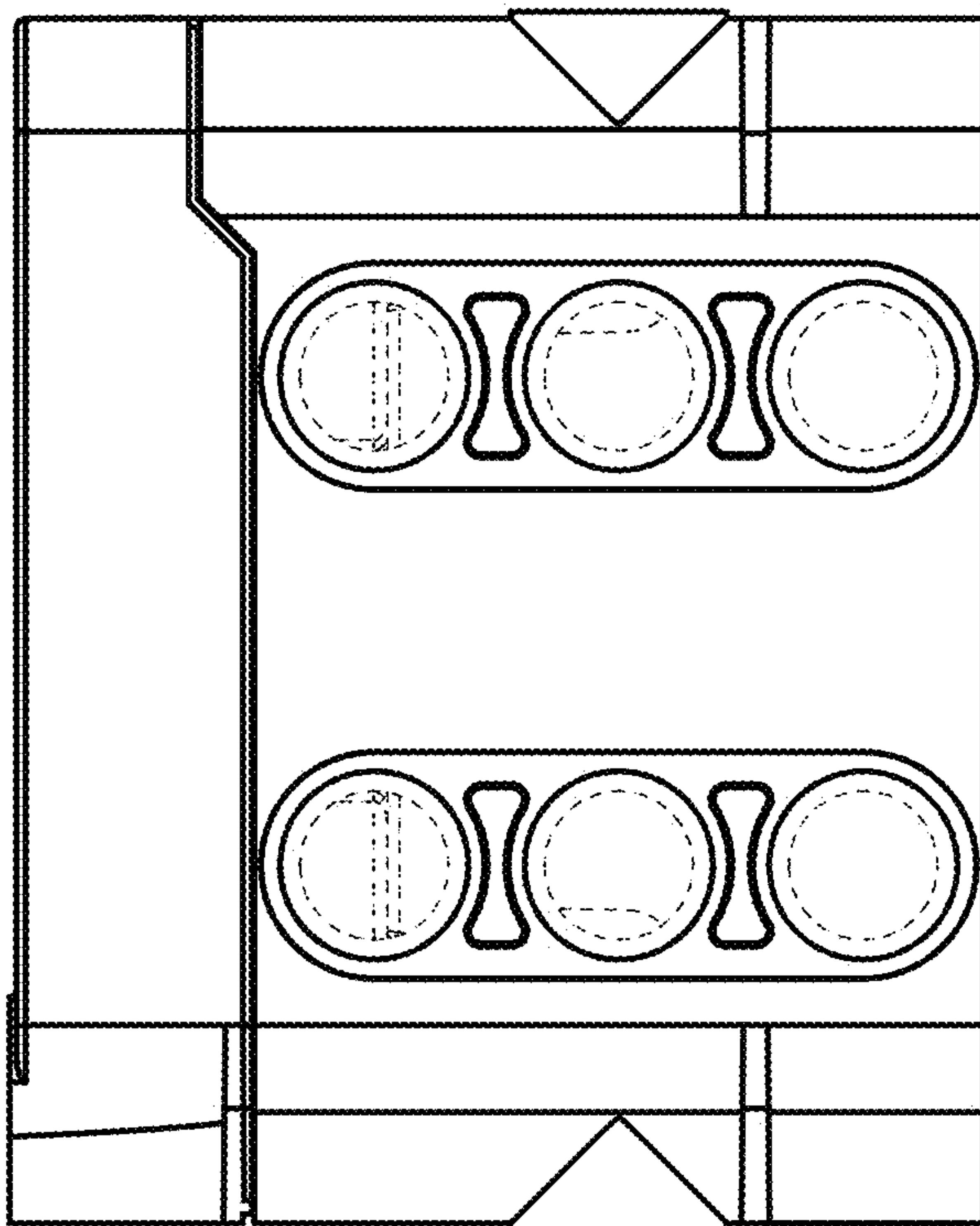


FIG. 6

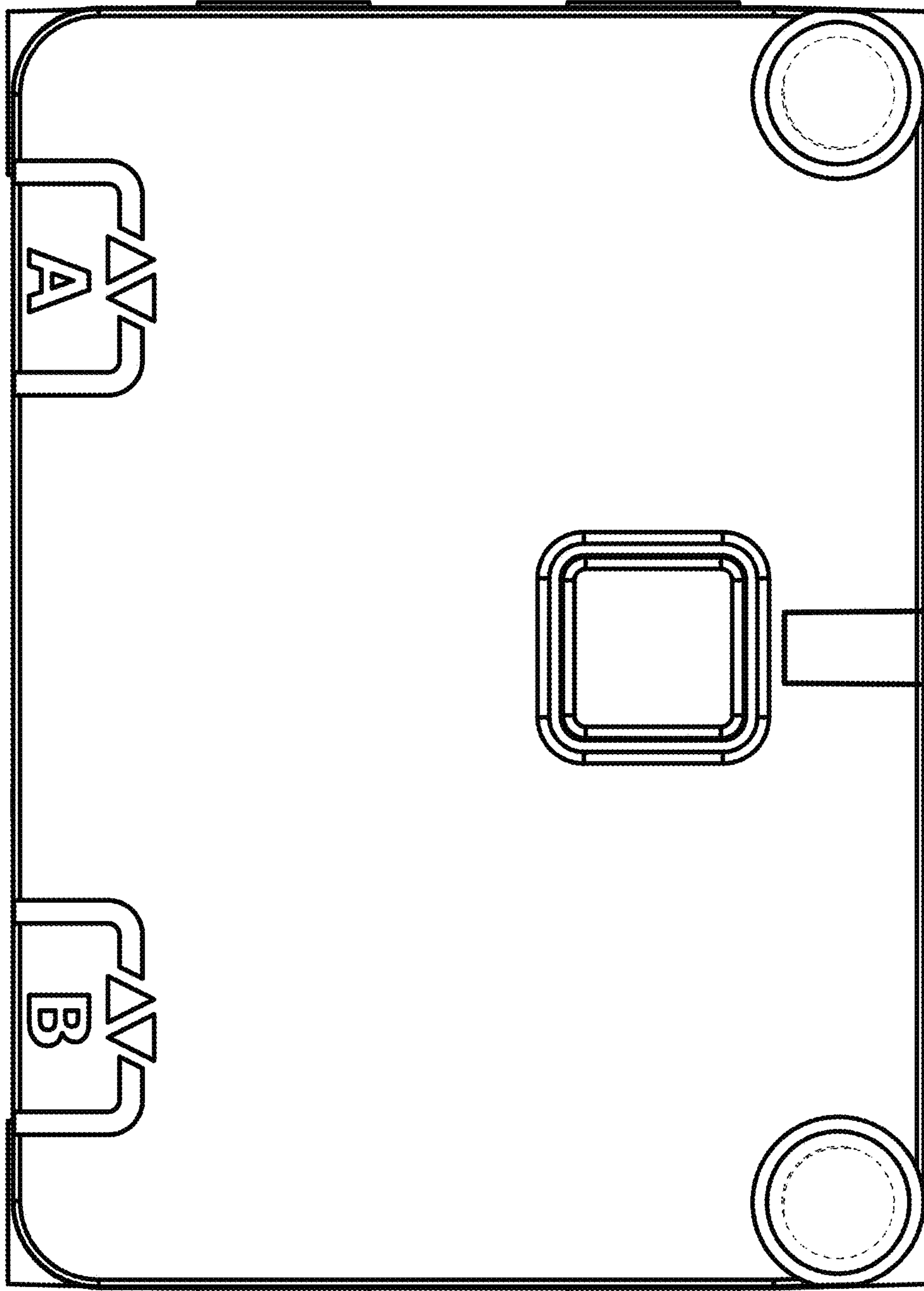


FIG. 7

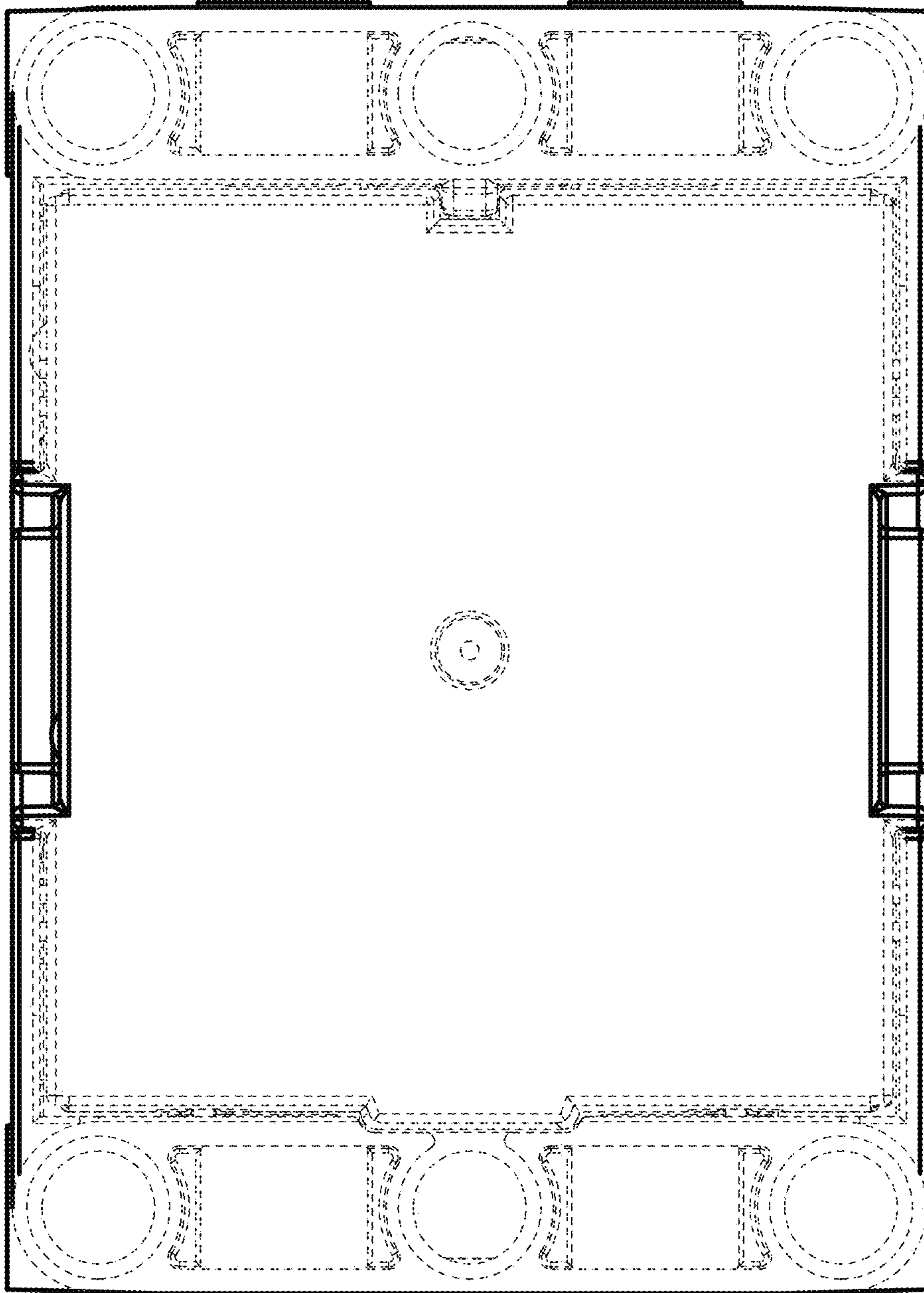


FIG. 8