



US00D976195S

(12) **United States Design Patent**  
**Wang et al.**

(10) **Patent No.:** **US D976,195 S**

(45) **Date of Patent:** **\*\* Jan. 24, 2023**

(54) **TIRE**

(71) Applicant: **Shandong Linglong Tyre Co., Ltd.,**  
Zhaoyuan (CN)

(72) Inventors: **Feng Wang,** Zhaoyuan (CN); **Jingjing Liu,** Zhaoyuan (CN); **Xueling Zhang,** Laizhou (CN); **Xin Zhang,** Laiyang (CN); **Xiaogang Ma,** Zhaoyuan (CN); **Ming Li,** Zhaoyuan (CN)

(\*\*) Term: **15 Years**

(21) Appl. No.: **29/752,670**

(22) Filed: **Sep. 28, 2020**

(51) **LOC (14) Cl.** ..... **12-15**

(52) **U.S. Cl.**  
USPC ..... **D12/588**

(58) **Field of Classification Search**  
USPC ..... D12/568-605, 900  
CPC ..... Y10T 152/10027; B60C 1/0016; B60C 11/0306; B60C 11/0302; B60C 3/06; B60C 9/17  
See application file for complete search history.

(56) **References Cited**

**U.S. PATENT DOCUMENTS**

D605,108 S \* 12/2009 Brown ..... D12/588  
D719,907 S \* 12/2014 Ohara ..... D12/588

D732,465 S \* 6/2015 Yamada ..... D12/588  
D758,293 S \* 6/2016 Kitajima ..... D12/588  
D768,059 S \* 10/2016 Brown ..... D12/588  
D783,516 S \* 4/2017 Wang ..... D12/588  
D815,021 S \* 4/2018 Oji ..... D12/900  
D828,290 S \* 9/2018 Reygrobellet ..... D12/588  
D843,313 S \* 3/2019 Cai ..... D12/588  
D856,270 S \* 8/2019 Chu ..... D12/588  
D875,655 S \* 2/2020 Wang ..... D12/588  
D875,657 S \* 2/2020 Hiser ..... D12/588  
D900,722 S \* 11/2020 Chu ..... D12/588  
D900,724 S \* 11/2020 Guilford ..... D12/590  
D927,410 S \* 8/2021 Guilford ..... D12/590  
D951,854 S \* 5/2022 Meier ..... D12/588

\* cited by examiner

*Primary Examiner* — John A Voytek

(57) **CLAIM**

The ornamental design for a tire, as shown and described.

**DESCRIPTION**

FIG. 1 is a perspective view of a tire;  
FIG. 2 is a front view thereof;  
FIG. 3 is a left side view thereof; and,  
FIG. 4 is a detailed view thereof.

Broken lines in the drawings used for demarcation of enlarged portions of the tire should be described in a separate paragraph preceding the claim, and as forming no part of the claim.

**1 Claim, 4 Drawing Sheets**





FIG. 1

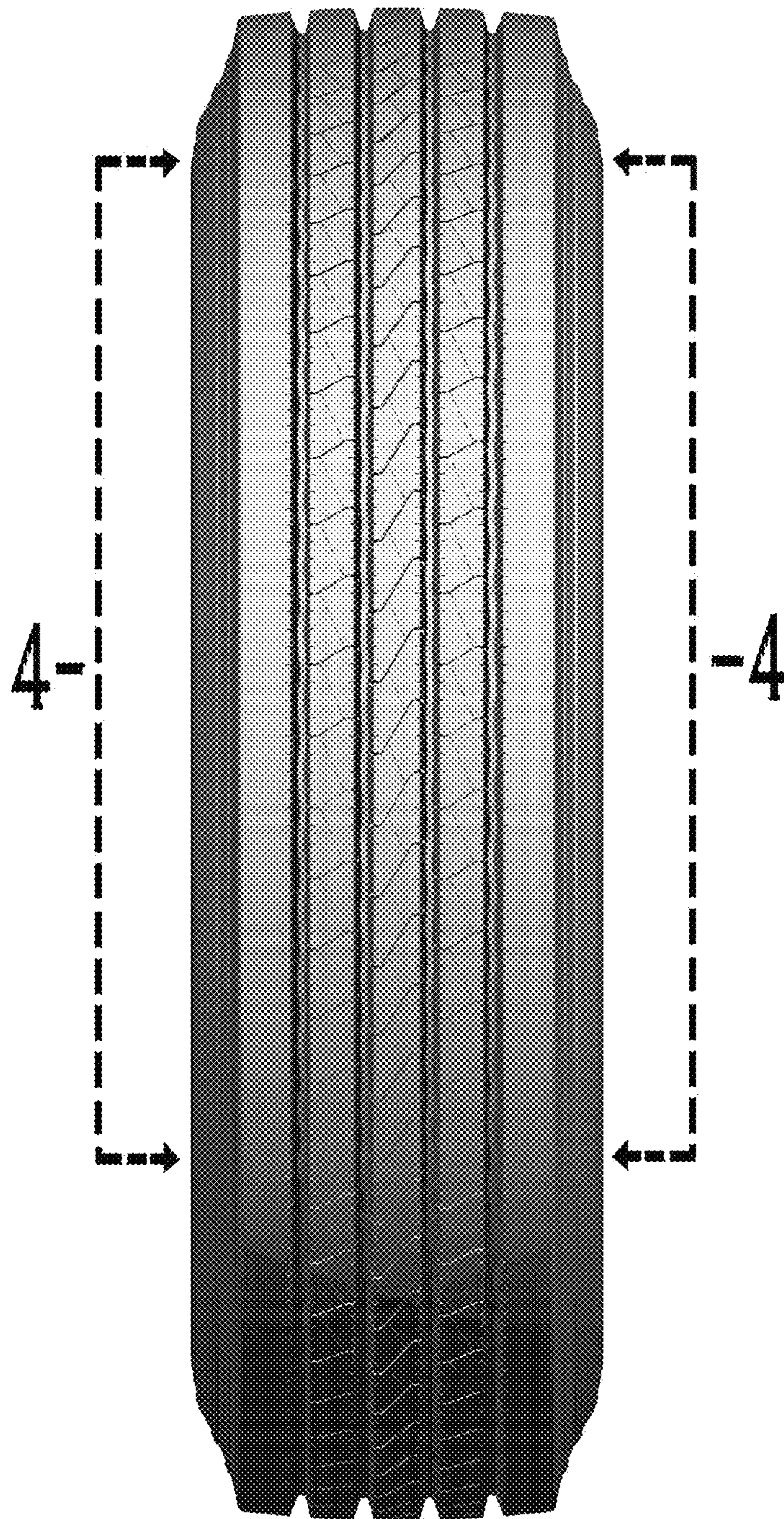


FIG.2



FIG.3

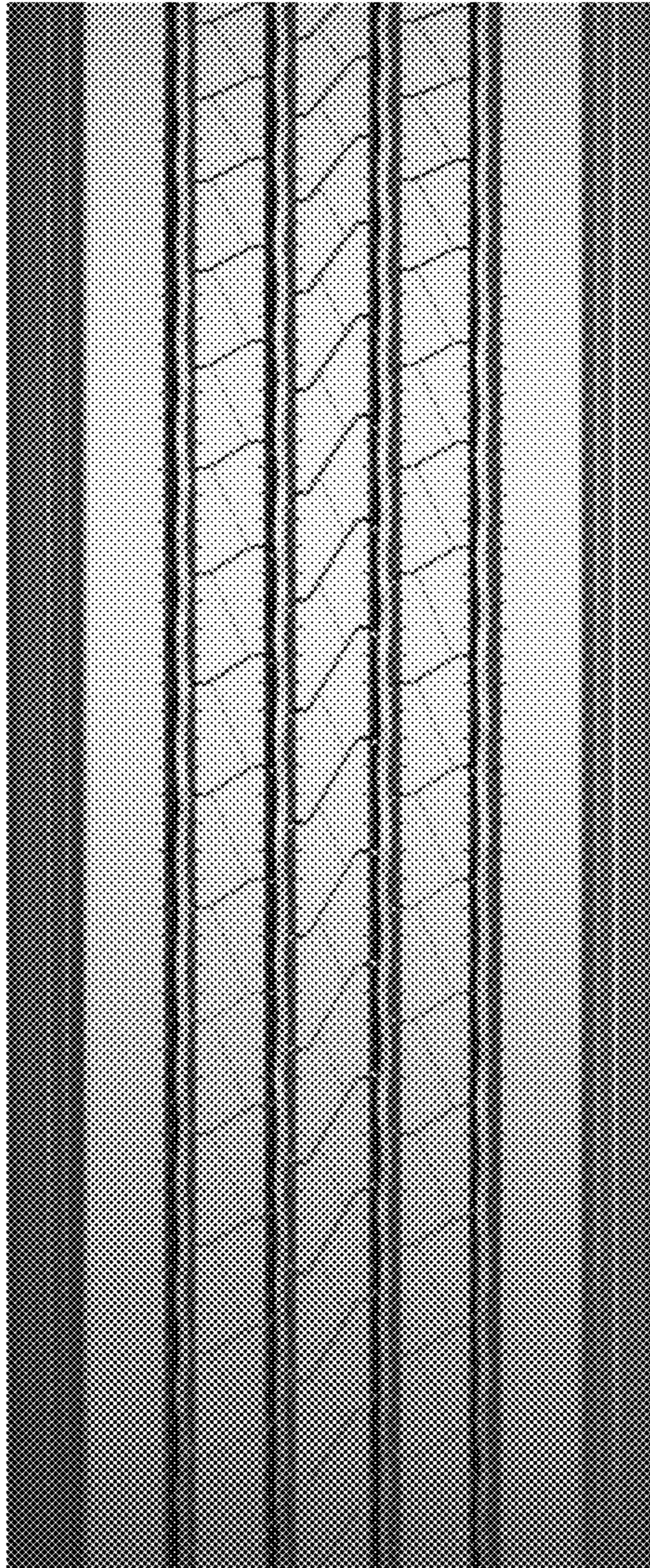


FIG.4