



US00D976192S

(12) **United States Design Patent** (10) **Patent No.:** **US D976,192 S**
Bales et al. (45) **Date of Patent:** **** Jan. 24, 2023**

(54) **SUPPORT FOR A CARGO RAMP**
(71) Applicant: **Government of the United States, as represented by the Secretary of the Air Force**, Wright-Patterson AFB, OH (US)
(72) Inventors: **John D. Bales**, Beavercreek, OH (US); **Jason A. Goins**, Colorado Springs, CO (US); **Christopher J. Falkowski**, Columbus, OH (US)
(73) Assignee: **United States of America as represented by the Secretary of the Air Force**, Wright-Patterson AFB, OH (US)
(**) Term: **15 Years**

D822,579 S * 7/2018 Lienhard D12/328
D847,716 S * 5/2019 Kim D12/203
D875,602 S * 2/2020 Xu D12/328
D887,948 S * 6/2020 Loveland D12/328
D903,577 S * 12/2020 Clark D12/326
D912,601 S * 3/2021 Morrison D12/345
D919,535 S * 5/2021 Walendowsky D12/203
D921,550 S * 6/2021 Roh D12/203
D923,545 S * 6/2021 Li D12/196

(Continued)

Primary Examiner — Marissa J Cash
(74) *Attorney, Agent, or Firm* — AFMCLO/JAZ; Matthew D. Fair

(57) **CLAIM**

The ornamental design for a support for a cargo ramp, as shown and described.

DESCRIPTION

FIG. 1 is a perspective view of a support for a ramp of a cargo plane, shown in an environment of use;
FIG. 2 is a perspective view of the support, shown removed from environment for clarity of disclosure;
FIG. 3 is a front and back perspective view of the support, shown removed from environment for clarity of disclosure;
FIG. 4 is a front and back plan view of the support, shown removed from environment for clarity of disclosure;
FIG. 5 is a left side and right side perspective view of the support, shown removed from environment for clarity of disclosure;
FIG. 6 is a left side and right side plan view of the support, shown removed from environment for clarity of disclosure;
FIG. 7 is a top view of the support, shown removed from environment for clarity of disclosure; and,
FIG. 8 is a bottom view of the support, shown removed from environment for clarity of disclosure.
The broken lines shown in FIG. 1 are illustrating an environmental structure and forms no part of the claimed design.

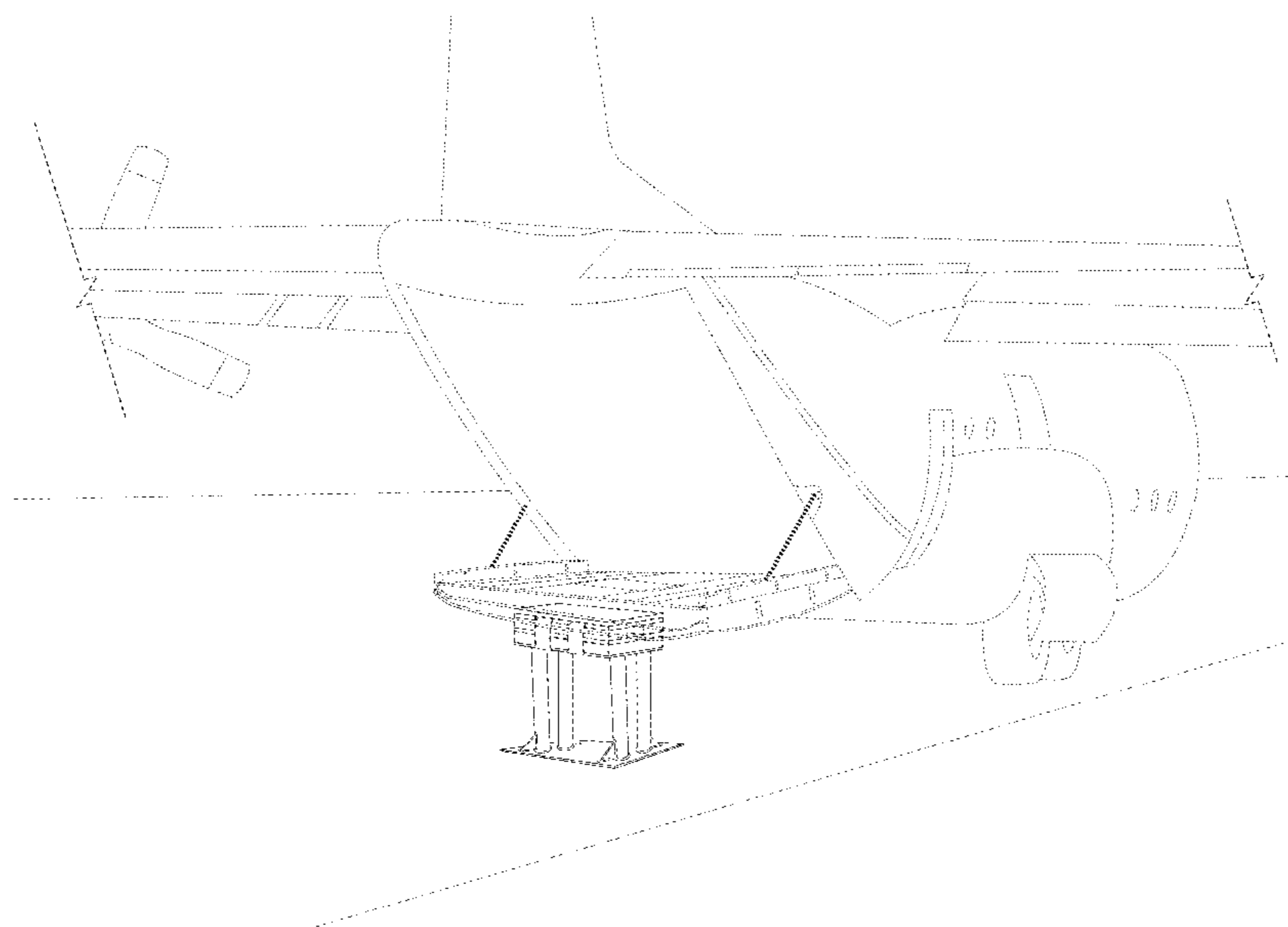
(21) Appl. No.: **29/670,657**
(22) Filed: **Nov. 19, 2018**
(51) **LOC (14) Cl.** **12-07**
(52) **U.S. Cl.**
USPC **D12/345**
(58) **Field of Classification Search**
USPC D12/1-4, 16.1, 319-345, 400, 159, 160, D12/190, 196, 203; D21/436-453
CPC B64C 27/20; B64C 2201/024; B64C 2201/104; B64C 2201/021; B64C 2201/141; B64C 25/52
See application file for complete search history.

(56) **References Cited**

U.S. PATENT DOCUMENTS

D708,273 S * 7/2014 Kouyoumjian D21/442
D751,953 S * 3/2016 Hayes D12/167
D768,539 S * 10/2016 Lee D21/441
D785,541 S * 5/2017 Du D12/328
D801,223 S * 10/2017 Hsiao D12/16.1

1 Claim, 8 Drawing Sheets



(56)

References Cited

U.S. PATENT DOCUMENTS

D928,071	S *	8/2021	Löwenstein	D12/327
D931,776	S *	9/2021	Yung	D12/203
D940,030	S *	1/2022	Li	D12/203
D944,702	S *	3/2022	Li	D12/203
D958,044	S *	7/2022	O'Hara	D12/400
2003/0160418	A1 *	8/2003	Farkash	B60R 3/002 280/164.1
2012/0104719	A1 *	5/2012	Hayes	B60R 3/02 280/163
2013/0248650	A1 *	9/2013	Gorlich	B64C 25/52 244/108
2016/0244155	A1 *	8/2016	Amante	B64C 25/52
2018/0346136	A1 *	12/2018	Arkus	B64C 27/10

* cited by examiner

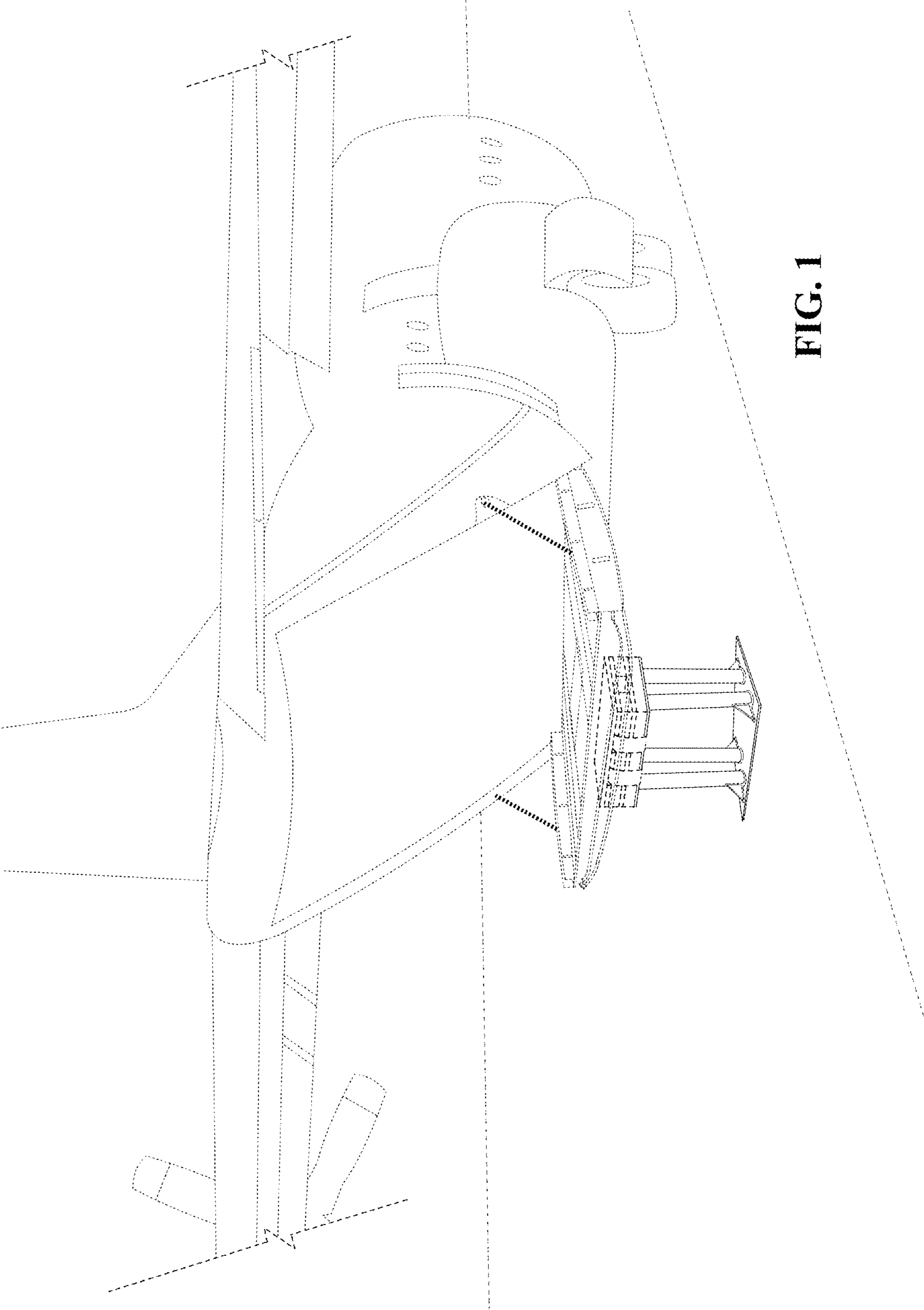


FIG. 1

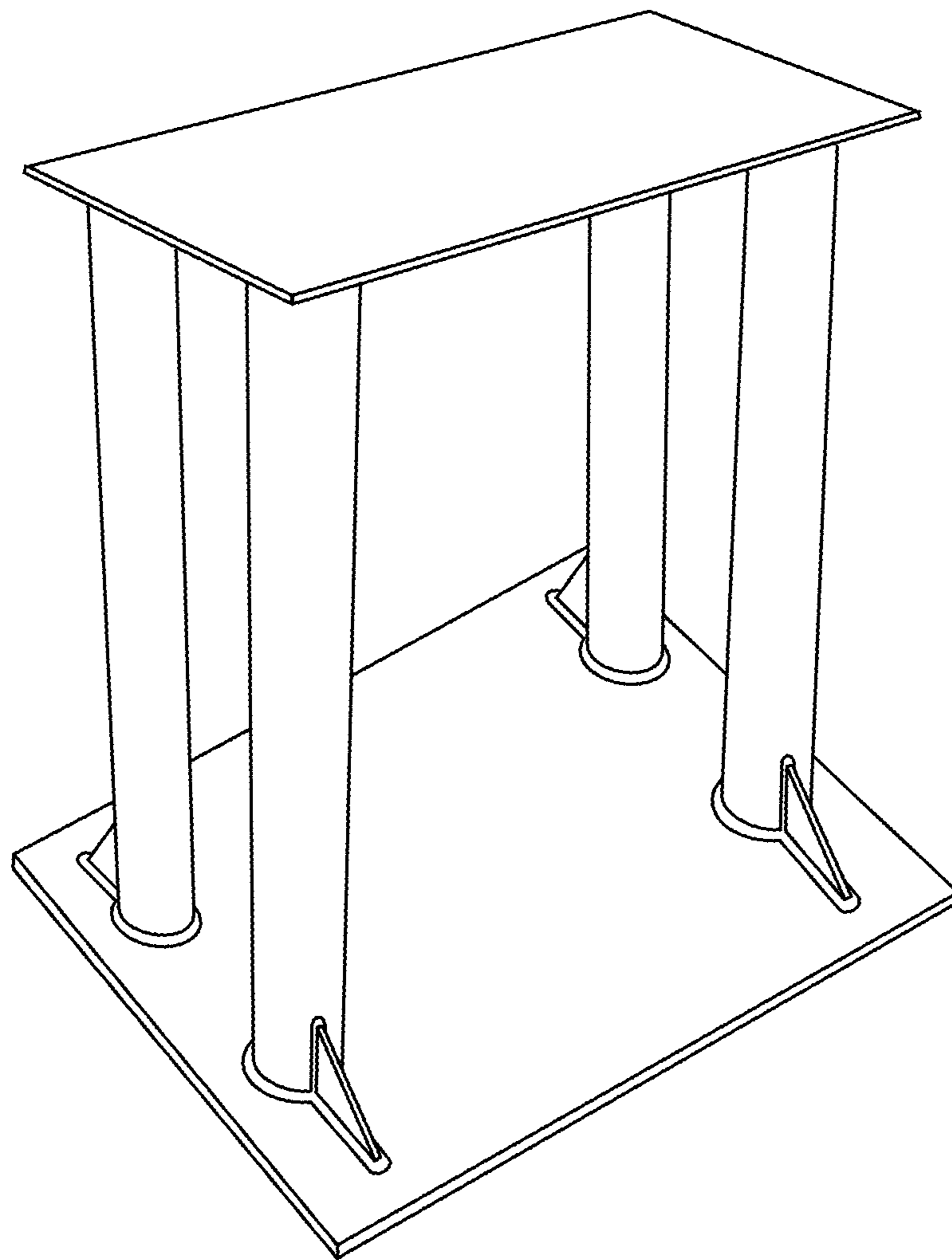


FIG. 2

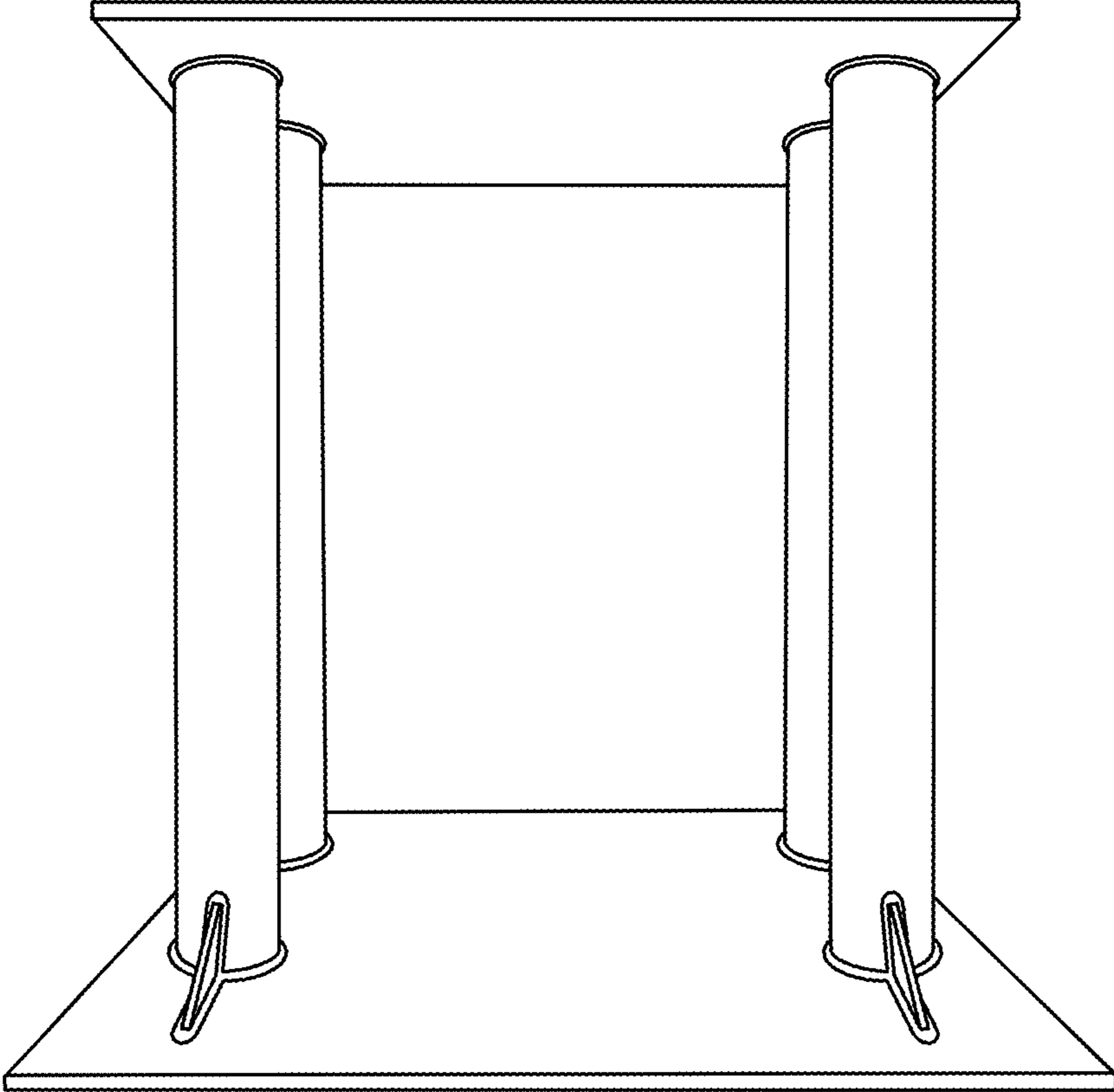


FIG. 3

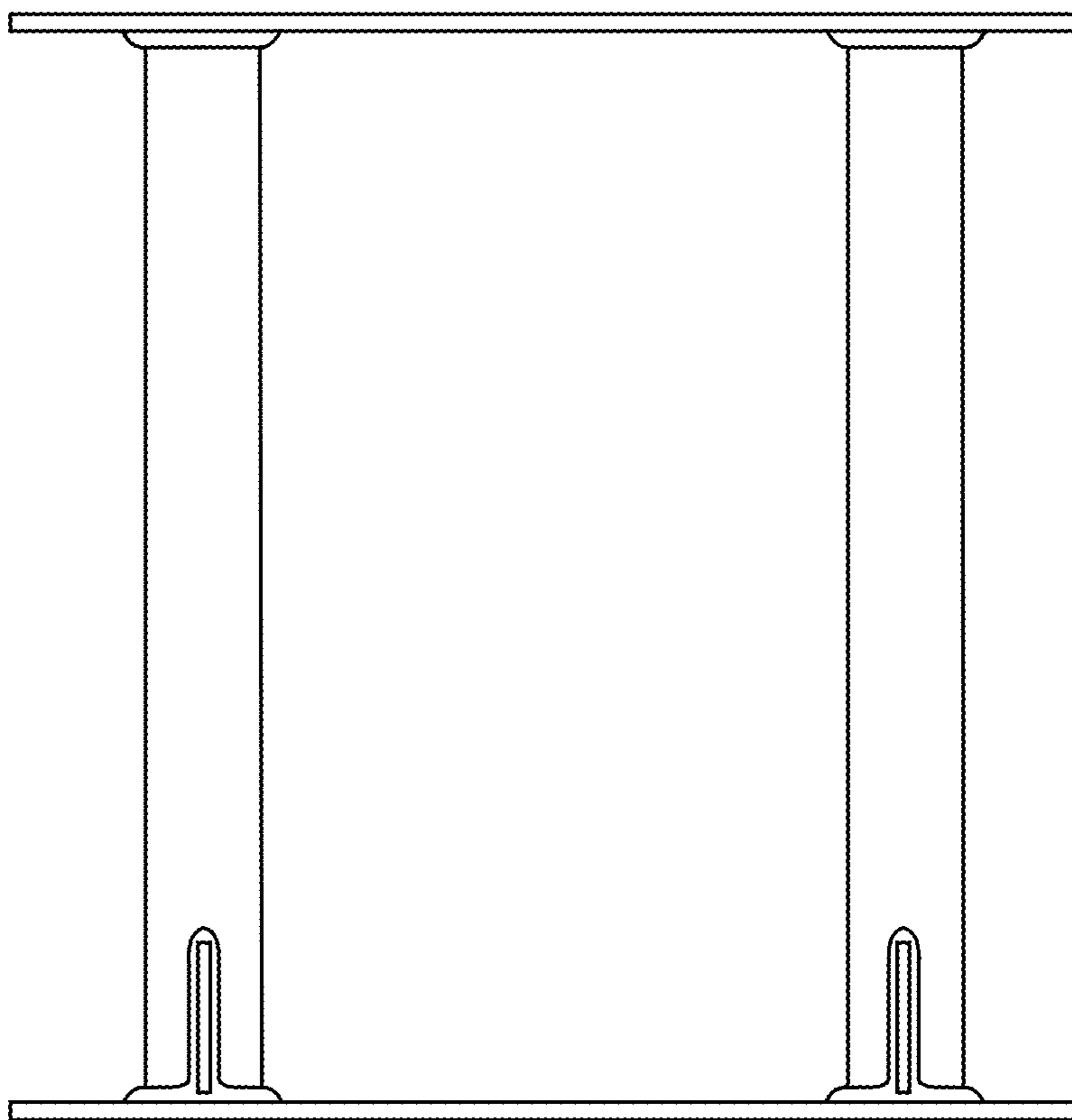


FIG. 4

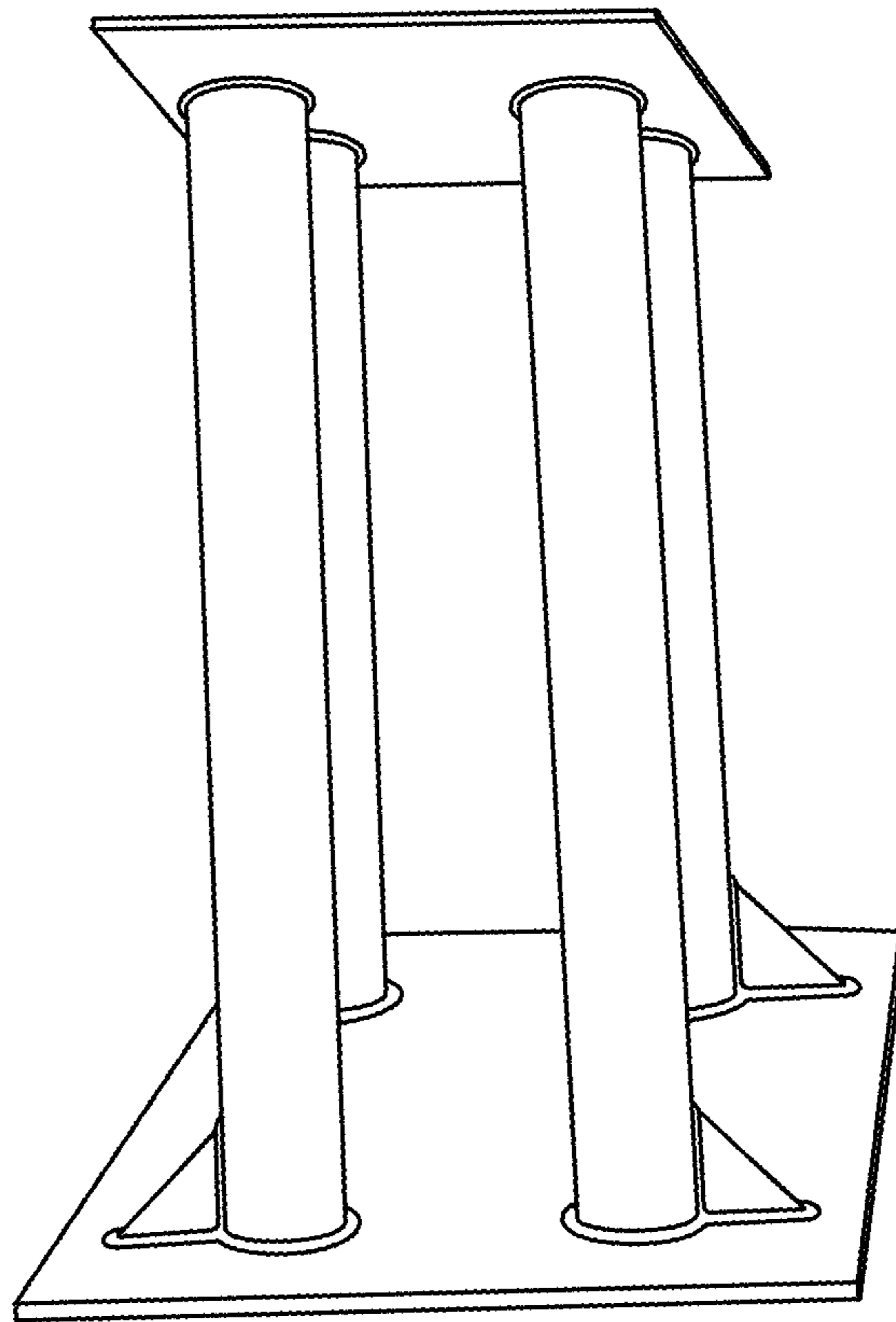


FIG. 5

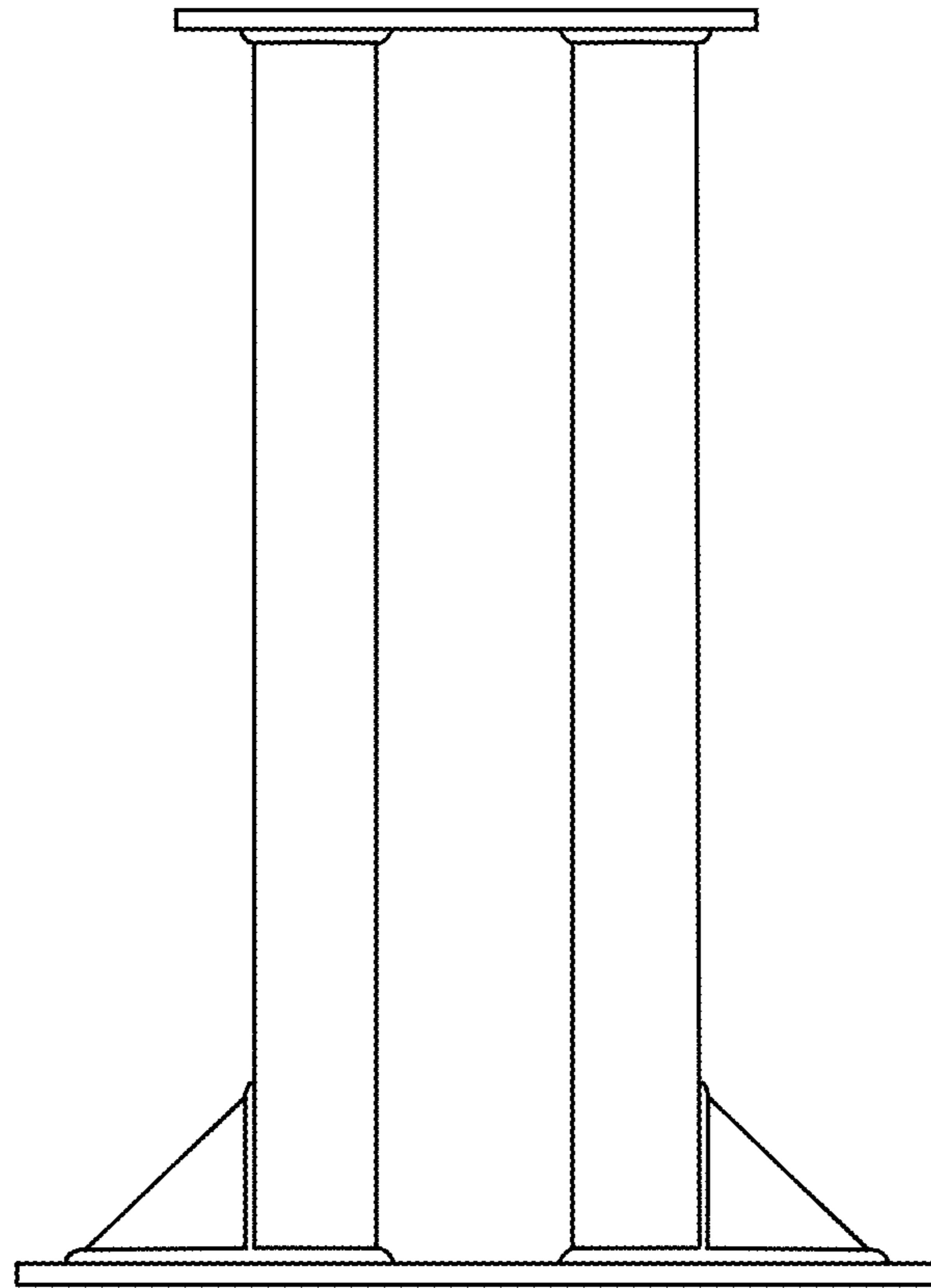


FIG. 6

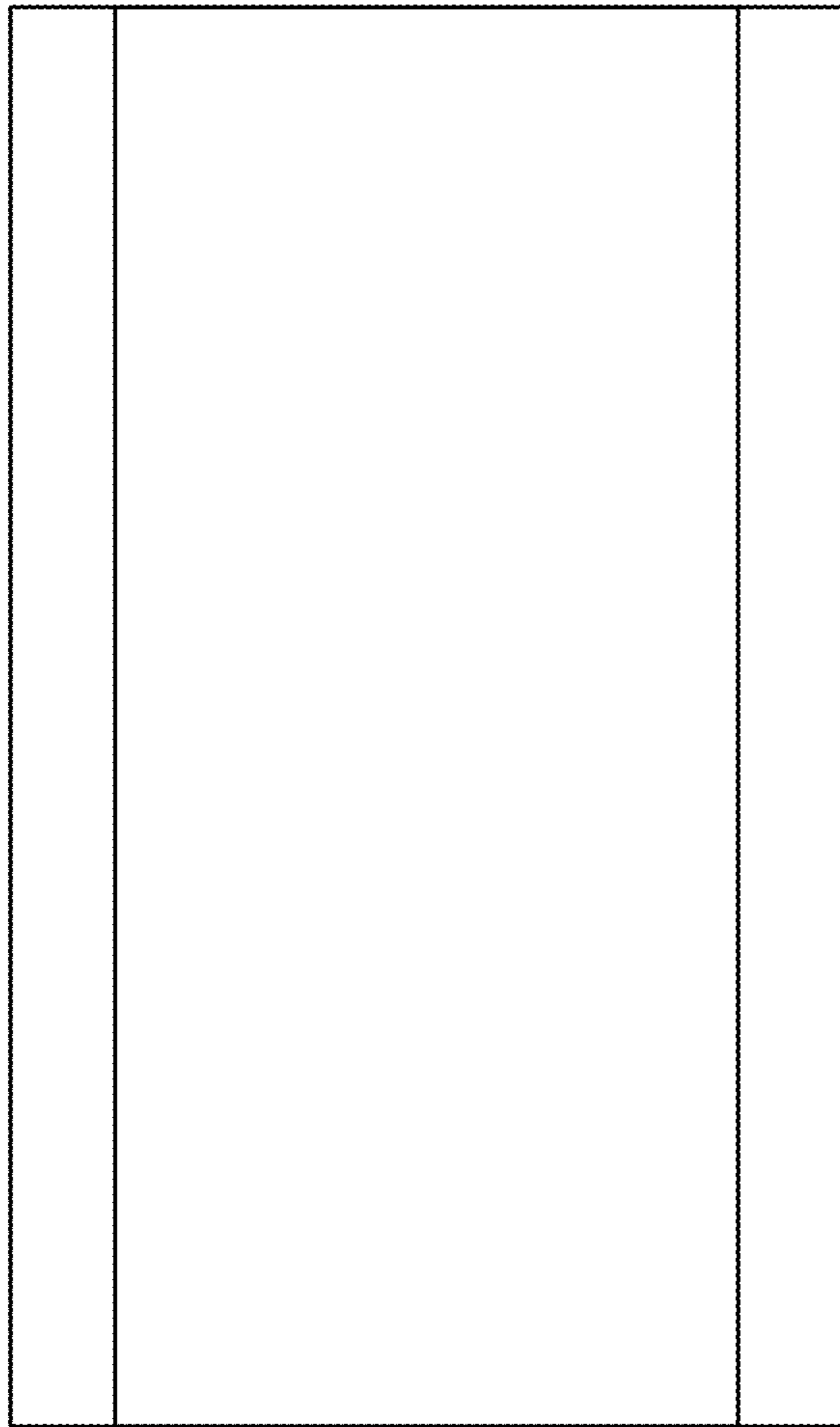


FIG. 7



FIG. 8