



US00D976188S

(12) **United States Design Patent**
Hans et al.

(10) **Patent No.:** **US D976,188 S**
(45) **Date of Patent:** **** Jan. 24, 2023**

(54) **WHEEL OR WHEEL COVER**
(71) Applicant: **Daimler AG**, Stuttgart (DE)
(72) Inventors: **Bernhard Hans**, Kirchberg (DE);
Markus Wachter, Ludwigsburg (DE)
(73) Assignee: **Mercedes-Benz Group AG**, Stuttgart
(DE)
(**) Term: **15 Years**

D456,333 S * 4/2002 Pollmann D12/211
D593,019 S * 5/2009 Tirado D12/209
D618,607 S * 6/2010 Hilpert D12/211
D697,859 S * 1/2014 Borkert D12/211
D701,810 S * 4/2014 Zhang D12/211
D740,193 S * 10/2015 Battams D12/209
D837,123 S * 1/2019 He D12/209
D851,007 S * 6/2019 Widua D12/209
D856,886 S * 8/2019 Bridan D12/209
D863,178 S * 10/2019 Okaji D12/209
D915,987 S * 4/2021 Wittinger et al.
D955,964 S * 6/2022 Saelzle D12/211

* cited by examiner

(21) Appl. No.: **29/776,863**

(22) Filed: **Apr. 1, 2021**

Primary Examiner — Cary M Robinson
Assistant Examiner — Adam C Mager

(30) **Foreign Application Priority Data**

(74) *Attorney, Agent, or Firm* — Crowell & Moring LLP

Oct. 2, 2020 (DE) 402020203442.1

(51) **LOC (14) Cl.** **12-16**

(52) **U.S. Cl.**
USPC **D12/211**

(58) **Field of Classification Search**
USPC D12/204–213, 501; D21/423, 533, 563,
D21/779

CPC B60B 7/00; B60B 7/01; B60B 7/02; B60B
7/04; B60B 7/06; B60B 3/02; B60B 3/04;
B60B 3/06; B60B 3/10; B60B 1/00;
B60B 1/08; B60B 1/10; B60B 1/12

See application file for complete search history.

(56) **References Cited**

U.S. PATENT DOCUMENTS

D392,611 S * 3/1998 Echazabal D12/211
D447,993 S * 9/2001 Neeper D12/211

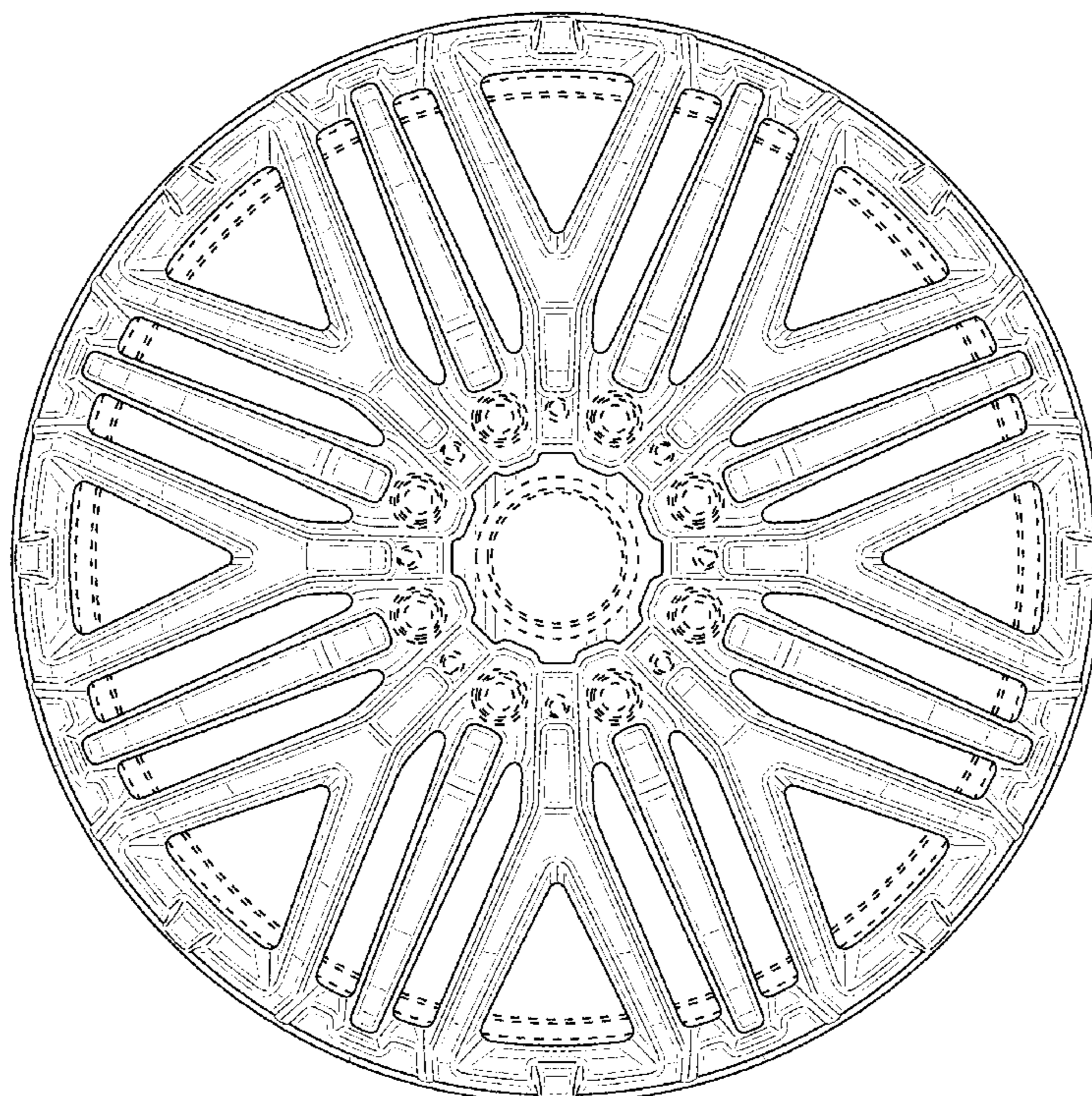
(57) **CLAIM**

The ornamental design for a wheel or wheel cover, as shown and described.

DESCRIPTION

FIG. 1 is a front view of a wheel or wheel cover according to the design; and,
FIG. 2 is a perspective view thereof.
The broken lines shown in the drawings are for the purpose of illustrating environmental structure and form no part of the claimed design.

1 Claim, 2 Drawing Sheets



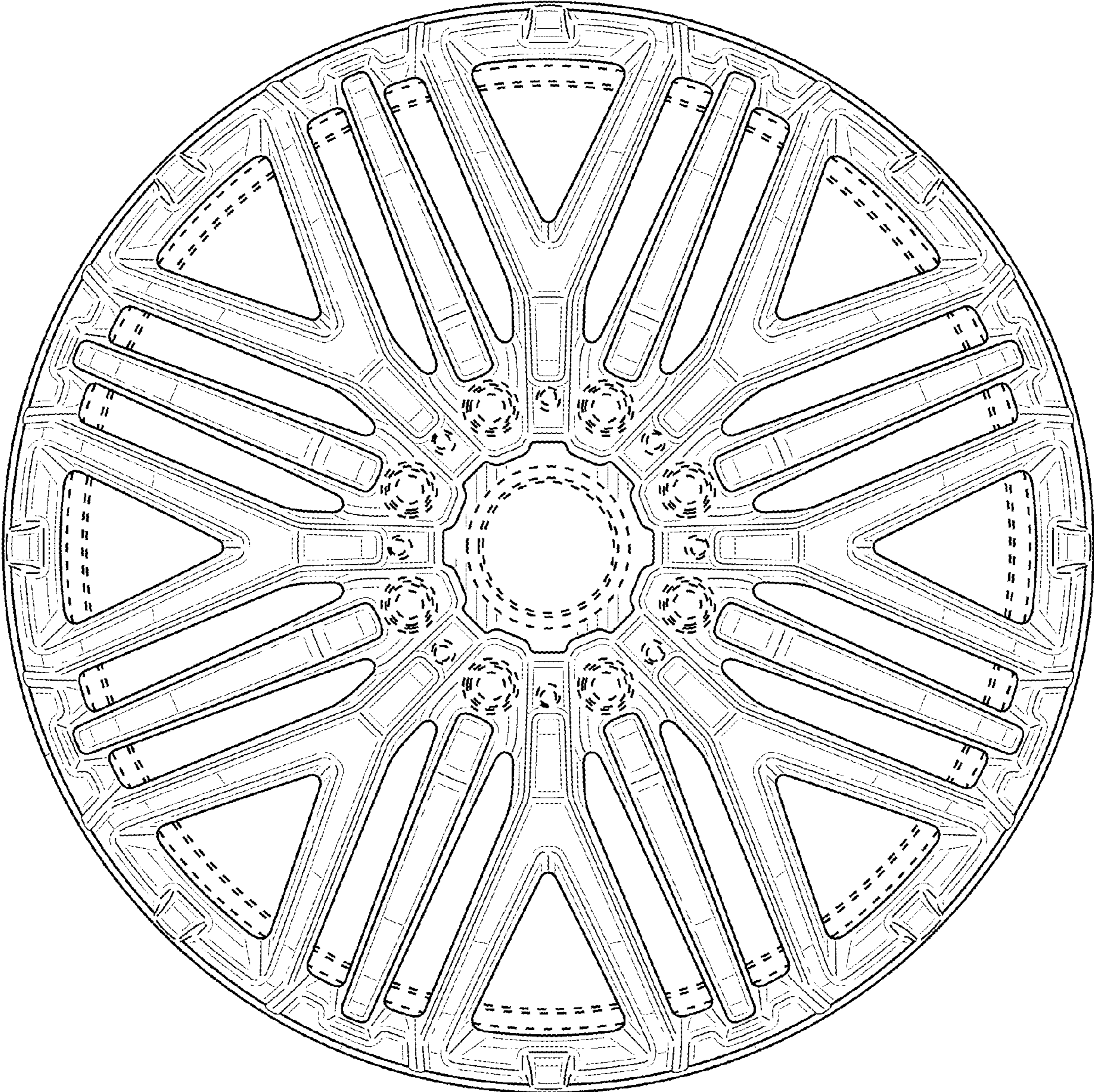


FIG. 1

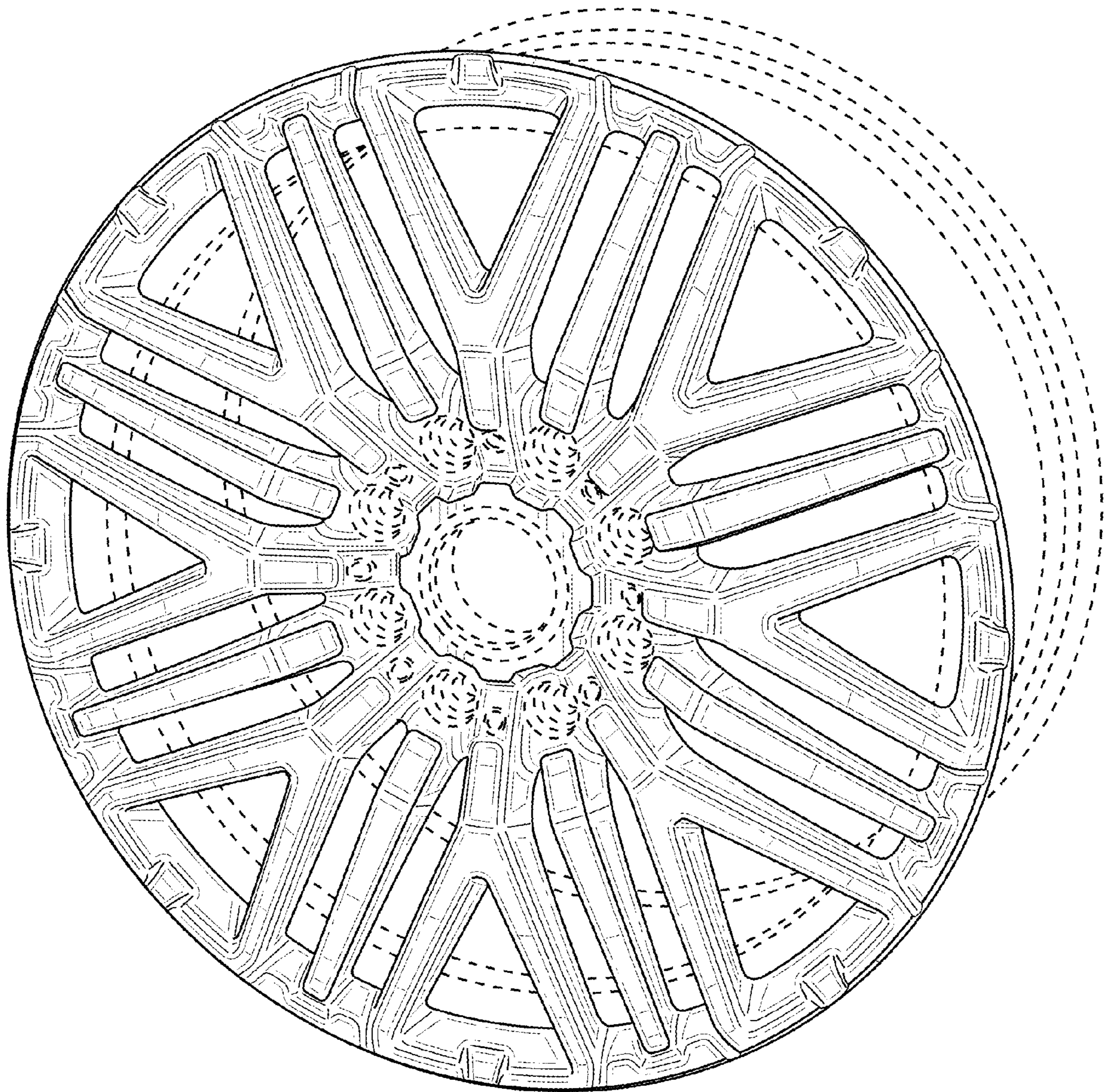


FIG. 2