

US00D976185S

(12) **United States Design Patent** (10) **Patent No.:** **US D976,185 S**
Zhao (45) **Date of Patent:** **** Jan. 24, 2023**

(54) **AUTOMOBILE WHEEL**

D938,879 S * 12/2021 Skelley D12/209
D939,419 S * 12/2021 Skelley D12/209
2011/0291465 A1* 12/2011 Peschiutta B60B 7/18
301/37.102

(71) Applicant: **WAH HUNG GROUP INC.**, Monterey Park, CA (US)

(72) Inventor: **John Zhao**, Monterey Park, CA (US)

(73) Assignee: **WAH HUNG GROUP INC.**, Monterey Park, CA (US)

(**) Term: **15 Years**

(21) Appl. No.: **29/767,263**

(22) Filed: **Jan. 21, 2021**

(51) **LOC (14) Cl.** **12-16**

(52) **U.S. Cl.**
USPC **D12/211**

(58) **Field of Classification Search**
USPC D12/204-213; D21/563
CPC B60B 7/00; B60B 7/02; B60B 7/04; B60B 7/06; B60B 3/02; B60B 3/04; B60B 3/06; B60B 3/10; B60B 1/00; B60B 1/08; B60B 1/10; B60B 1/12

See application file for complete search history.

(56) **References Cited**

U.S. PATENT DOCUMENTS

D636,320 S * 4/2011 Lamm D12/211
D811,305 S * 2/2018 Hodges D12/211
D860,092 S * 9/2019 Milani D12/209
D878,994 S * 3/2020 Liu D12/209

FOREIGN PATENT DOCUMENTS

JP D1669499 * 10/2020

OTHER PUBLICATIONS

John Zhao's Patents, May 00, 2018.
Ernie Alfonso's Patents, May 00, 2018.

* cited by examiner

Primary Examiner — Darlington Ly
Assistant Examiner — D. Ryan Tisdale
(74) *Attorney, Agent, or Firm* — Payam Moradian

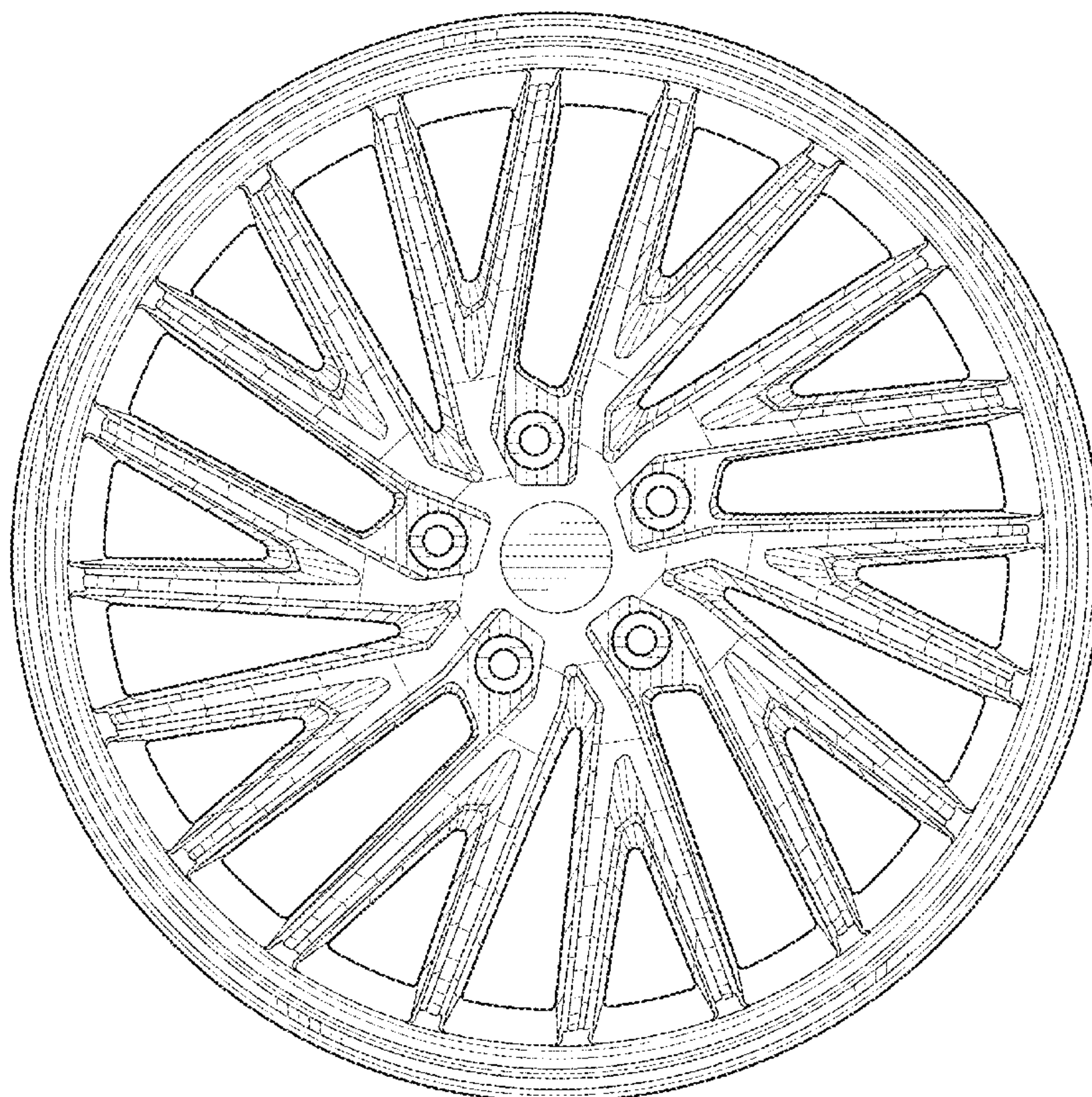
(57) **CLAIM**

I claim the ornamental design for an automobile wheel, as shown and described.

DESCRIPTION

FIG. 1 is a front elevational view of an automobile wheel, showing my new design; and, FIG. 2 is a perspective view thereof. The broken lines in the drawings of the automobile wheel are for showing portions of the article and foiiii no part of the claimed design.

1 Claim, 2 Drawing Sheets



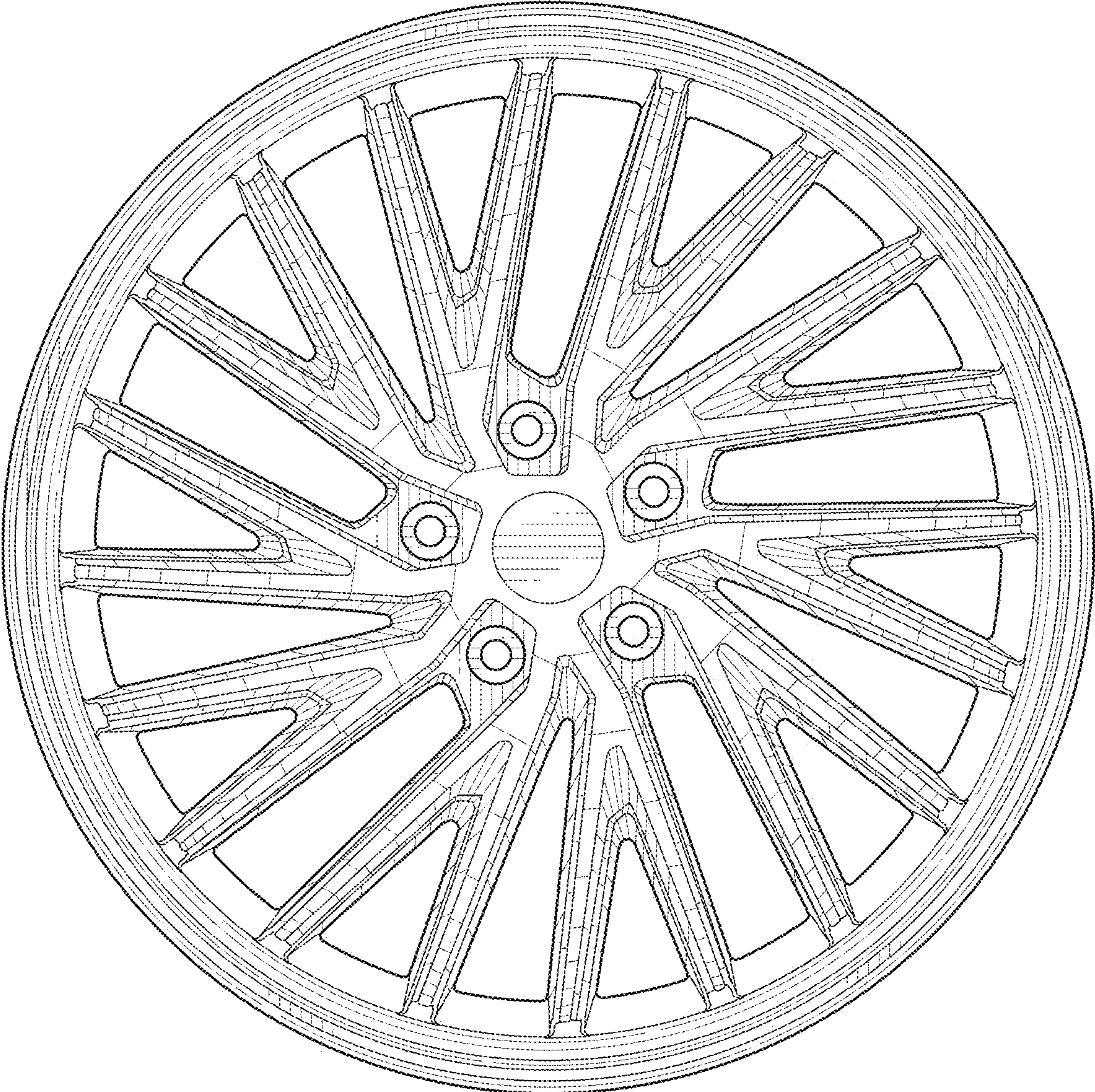


FIG. 1

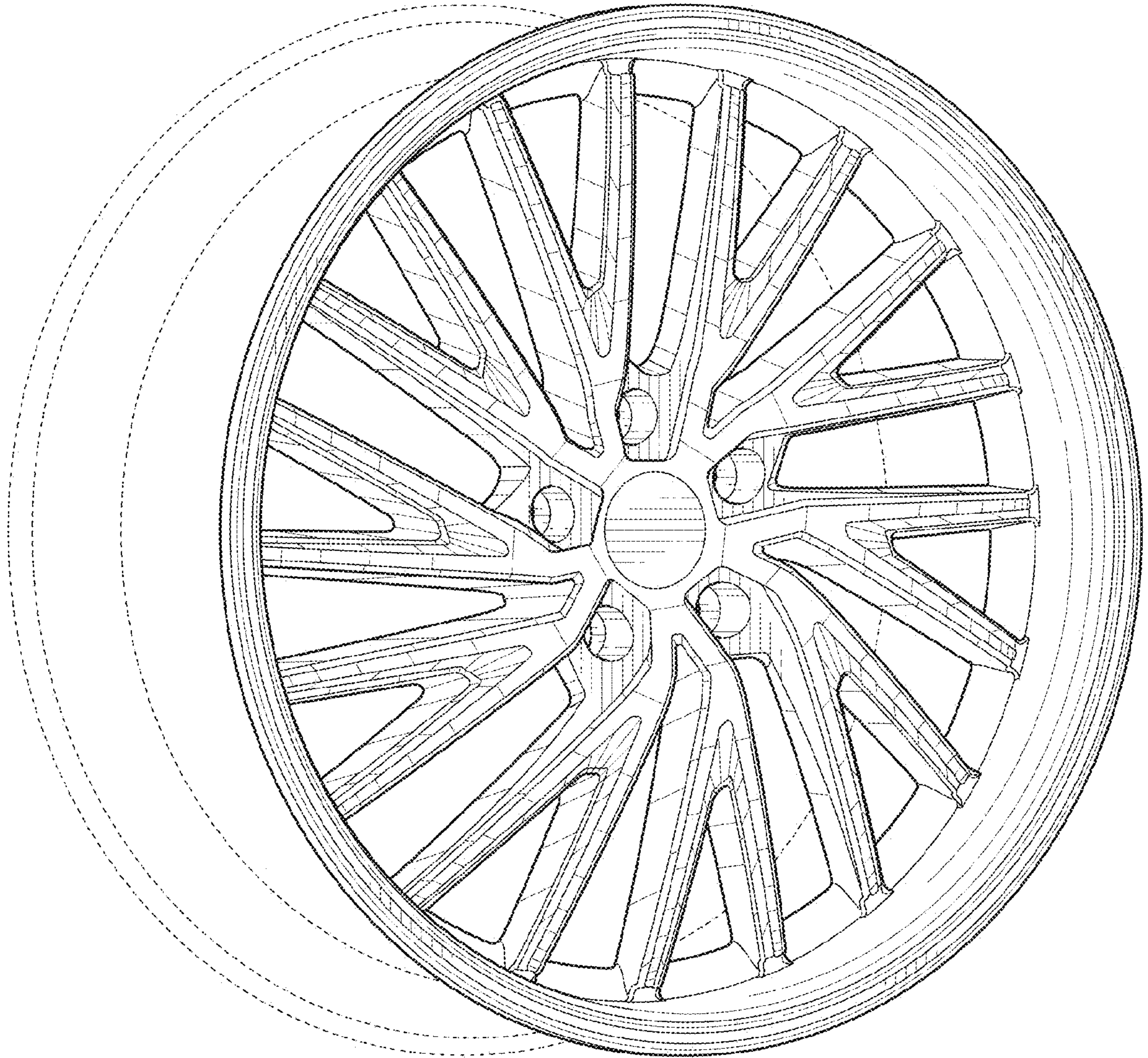


FIG. 2