



US00D976177S

(12) **United States Design Patent**
Yang

(10) **Patent No.:** **US D976,177 S**

(45) **Date of Patent:** **** Jan. 24, 2023**

(54) **CENTER MIRROR**

(71) Applicant: **Guangzhou issyzone Technology Co., Ltd, Guangzhou (CN)**

(72) Inventor: **Taiping Yang, Guangzhou (CN)**

(**) Term: **15 Years**

(21) Appl. No.: **29/800,410**

(22) Filed: **Jul. 21, 2021**

(51) **LOC (14) Cl.** **12-16**

(52) **U.S. Cl.**
USPC **D12/188**

(58) **Field of Classification Search**
USPC D12/187, 188; D26/1, 28, 29, 34
CPC B60R 1/04; B60R 1/06; B60R 1/12; B60R 1/076
See application file for complete search history.

(56) **References Cited**

U.S. PATENT DOCUMENTS

D575,709 S 8/2008 Scott
D717,704 S 11/2014 Petroff et al.
D755,689 S * 5/2016 Suesse D12/187

D782,948 S 4/2017 Wu et al.
D815,576 S 4/2018 Chiang
D848,931 S 5/2019 Yang
D870,645 S 12/2019 Yang
D898,642 S * 10/2020 Yang D12/187
D936,544 S * 11/2021 Wang D12/187
D937,162 S * 11/2021 Wang D12/187
D949,074 S * 4/2022 Liu D12/187
D949,075 S * 4/2022 Liu D12/187

* cited by examiner

Primary Examiner — Deanna L Pratt

(74) *Attorney, Agent, or Firm* — Rumi Ranjit Kanakia

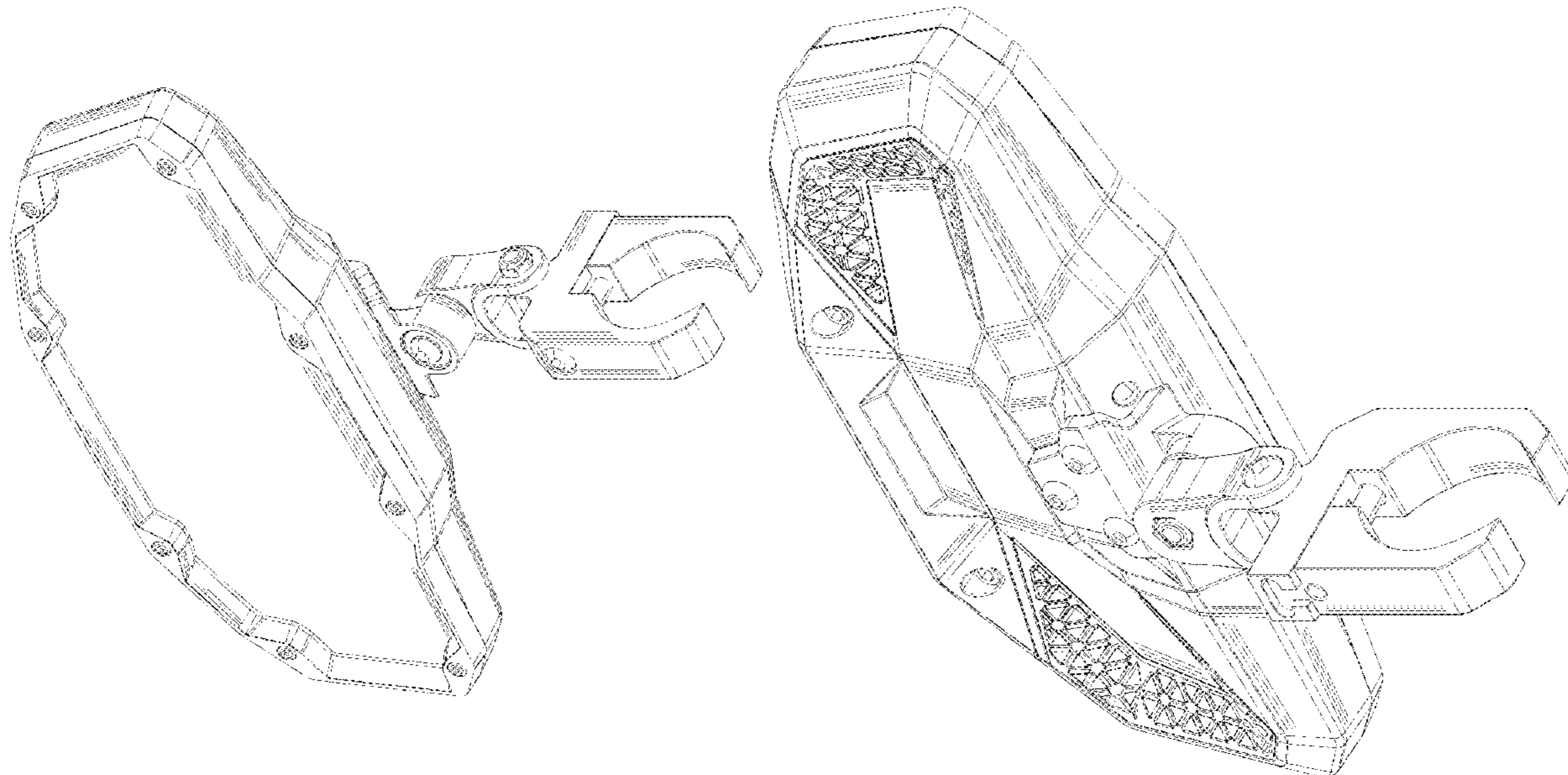
(57) **CLAIM**

I claim the ornamental design for a center mirror, as shown and described.

DESCRIPTION

FIG. 1 is a Perspective view of a center mirror showing my new design;
FIG. 2 is a Back Perspective view thereof;
FIG. 3 is a Front view thereof;
FIG. 4 is a Back view thereof;
FIG. 5 is a Left-side view thereof;
FIG. 6 is a Right-side view thereof;
FIG. 7 is a Top view thereof; and,
FIG. 8 is a Bottom view thereof.

1 Claim, 8 Drawing Sheets



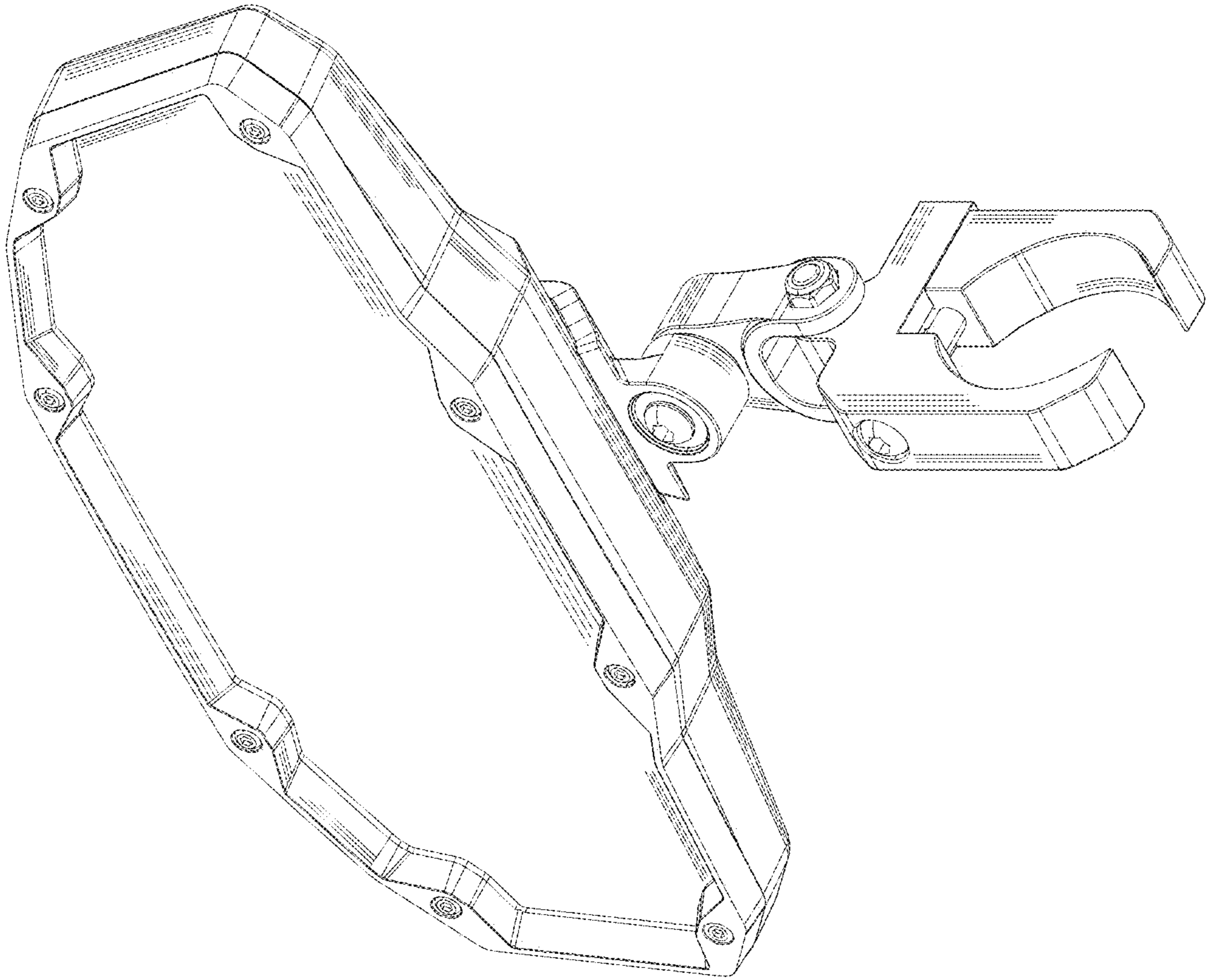


FIG. 1

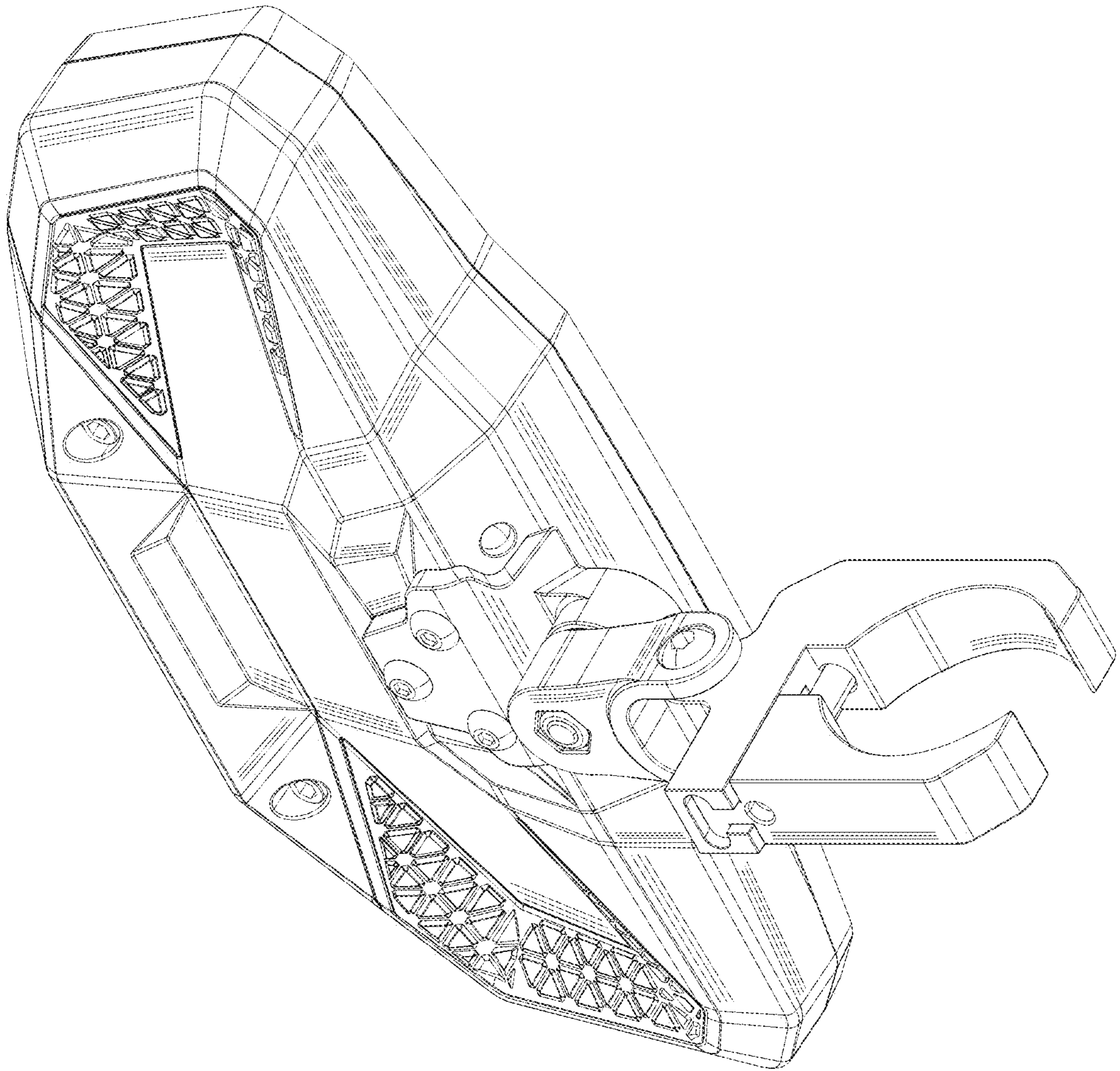


FIG. 2

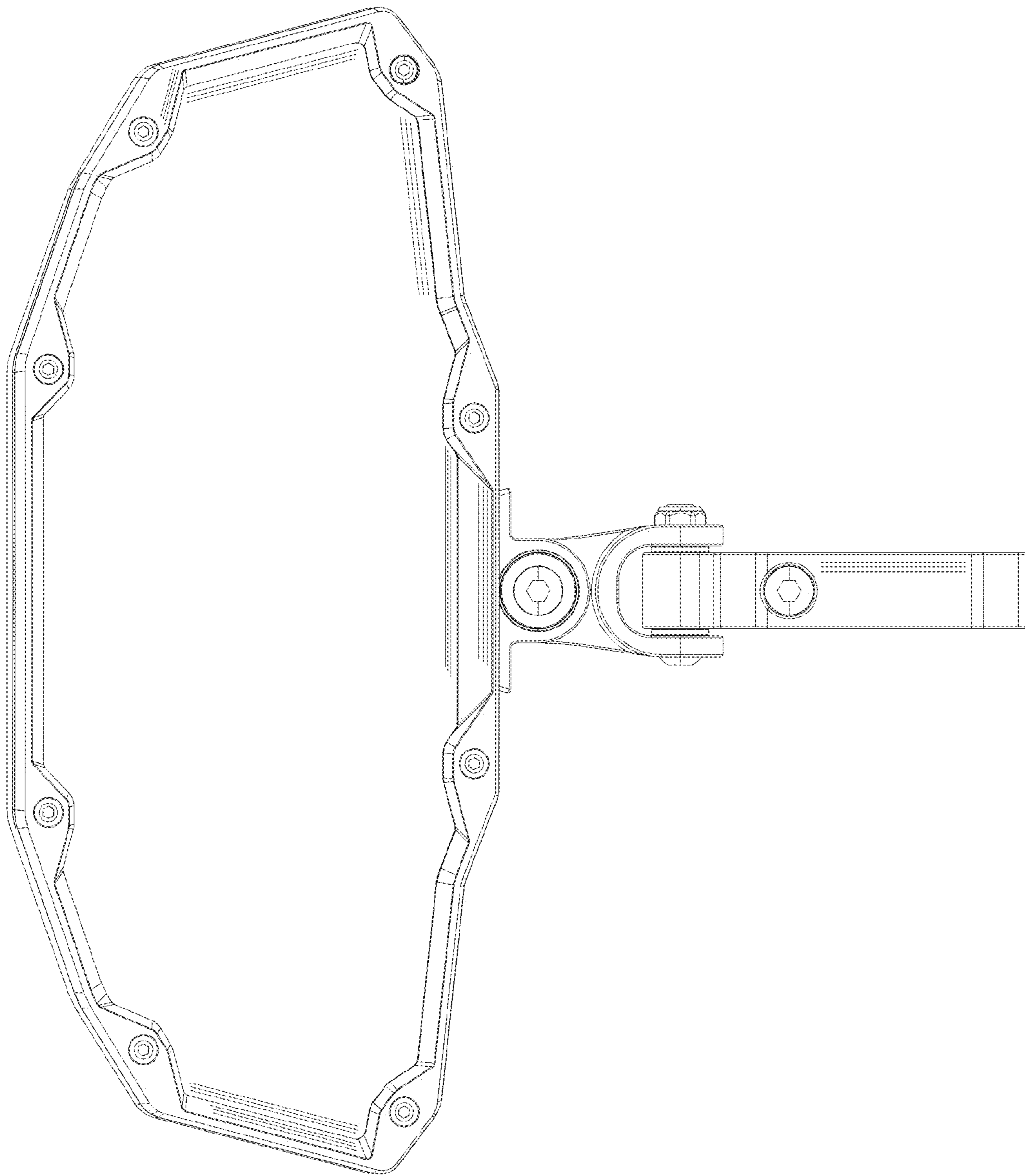


FIG. 3

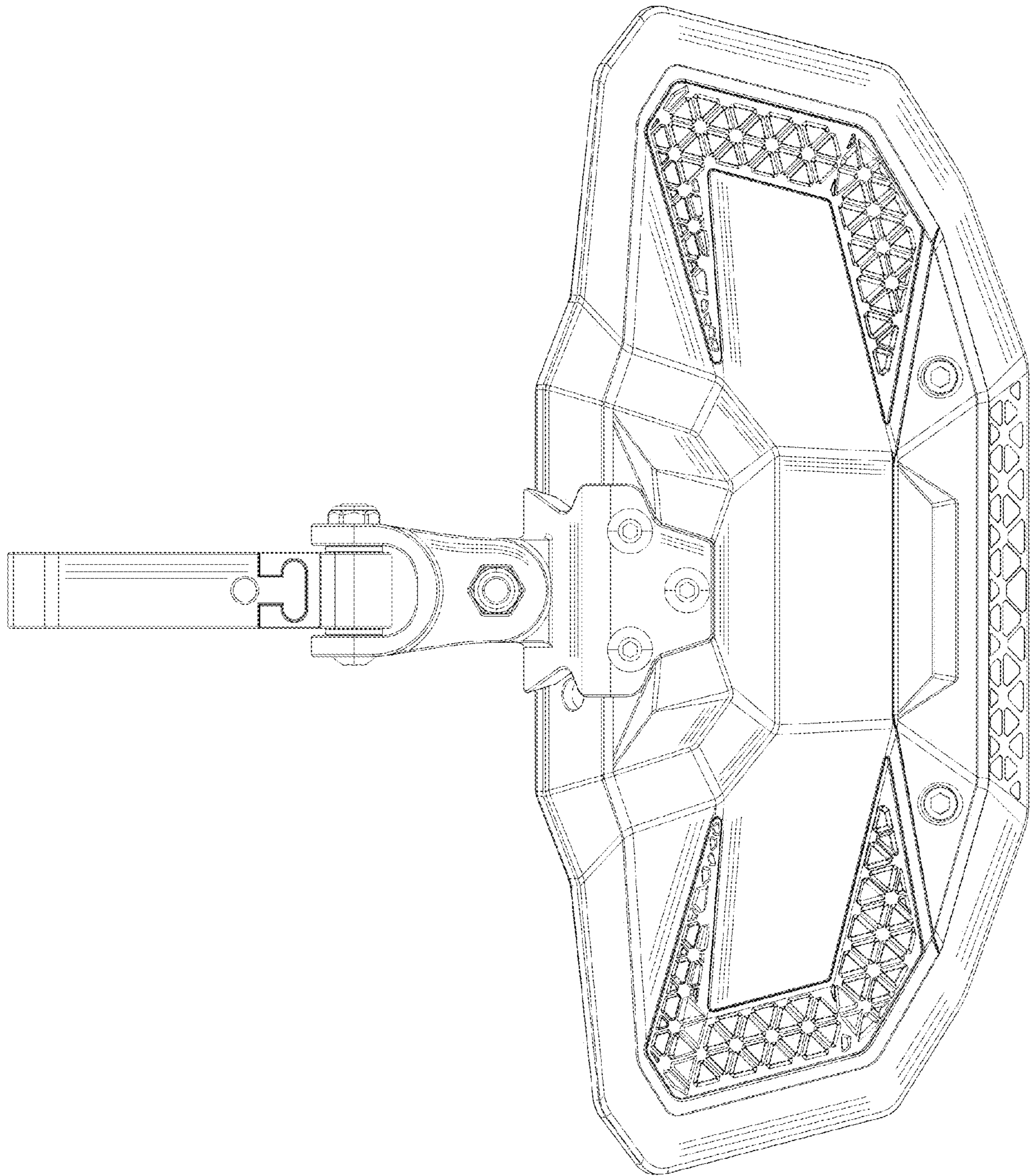


FIG. 4

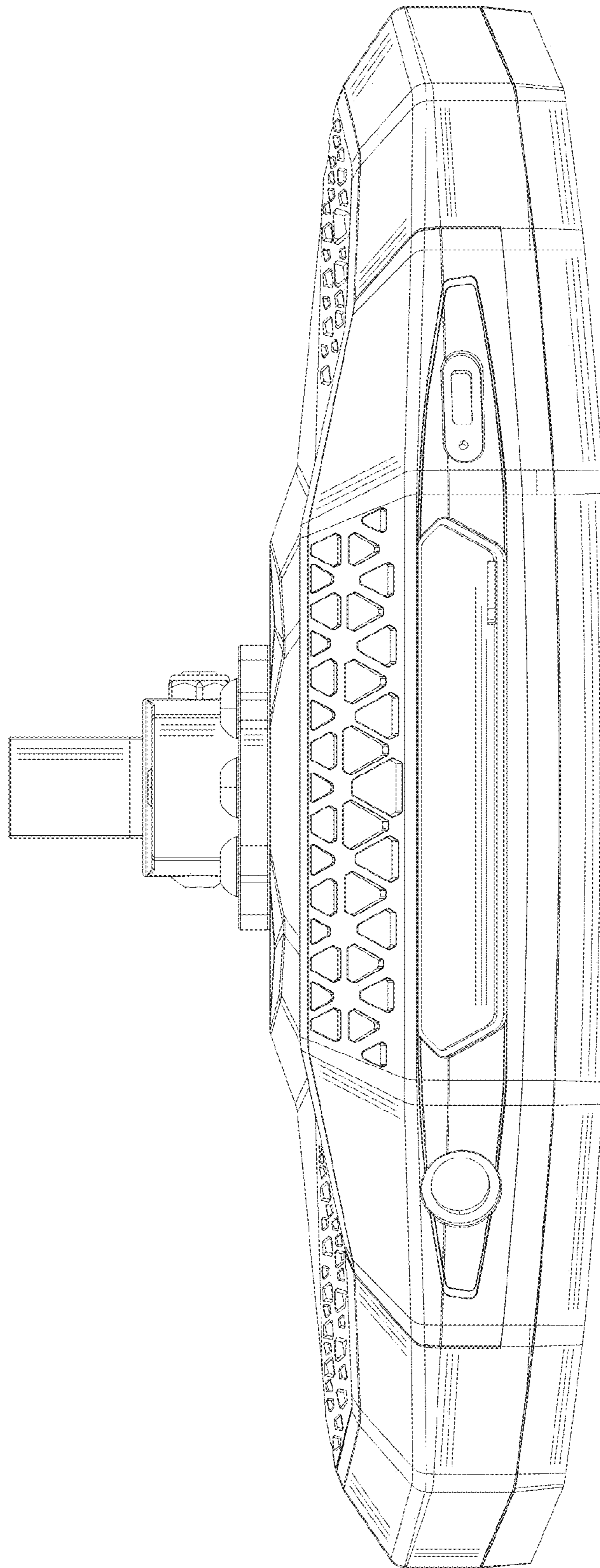


FIG. 5

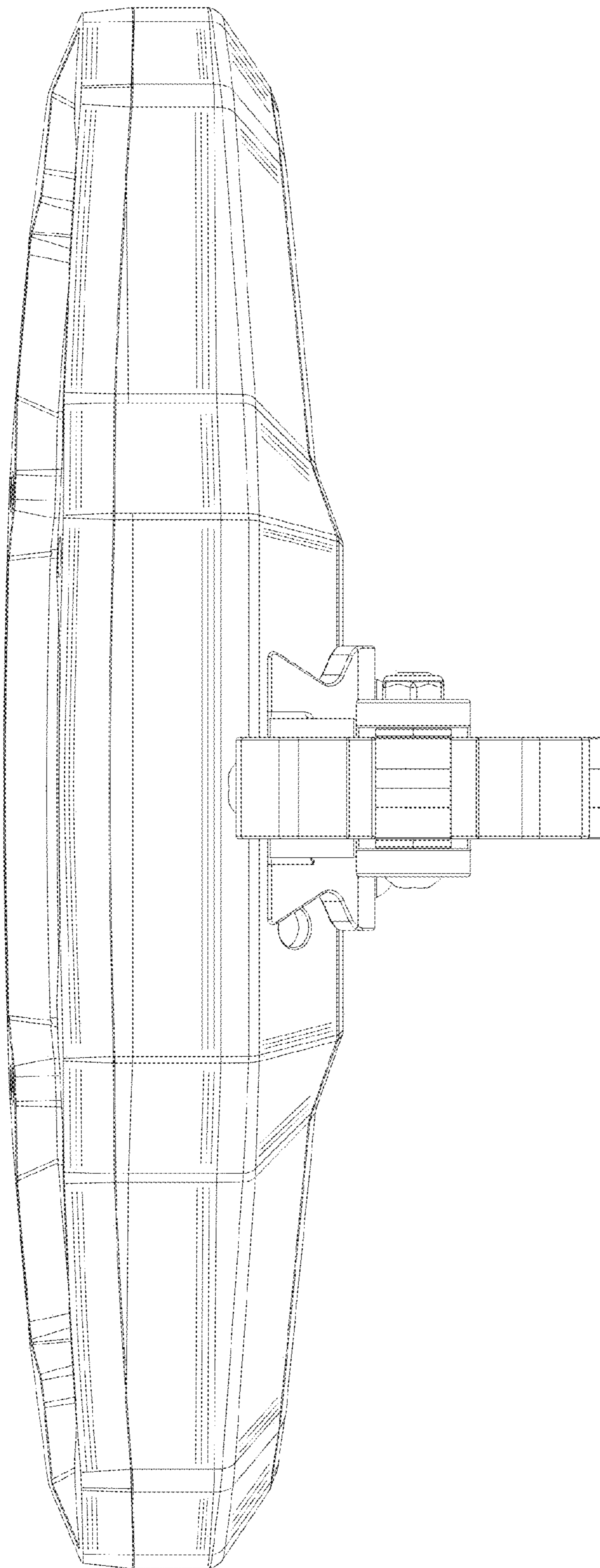


FIG. 6

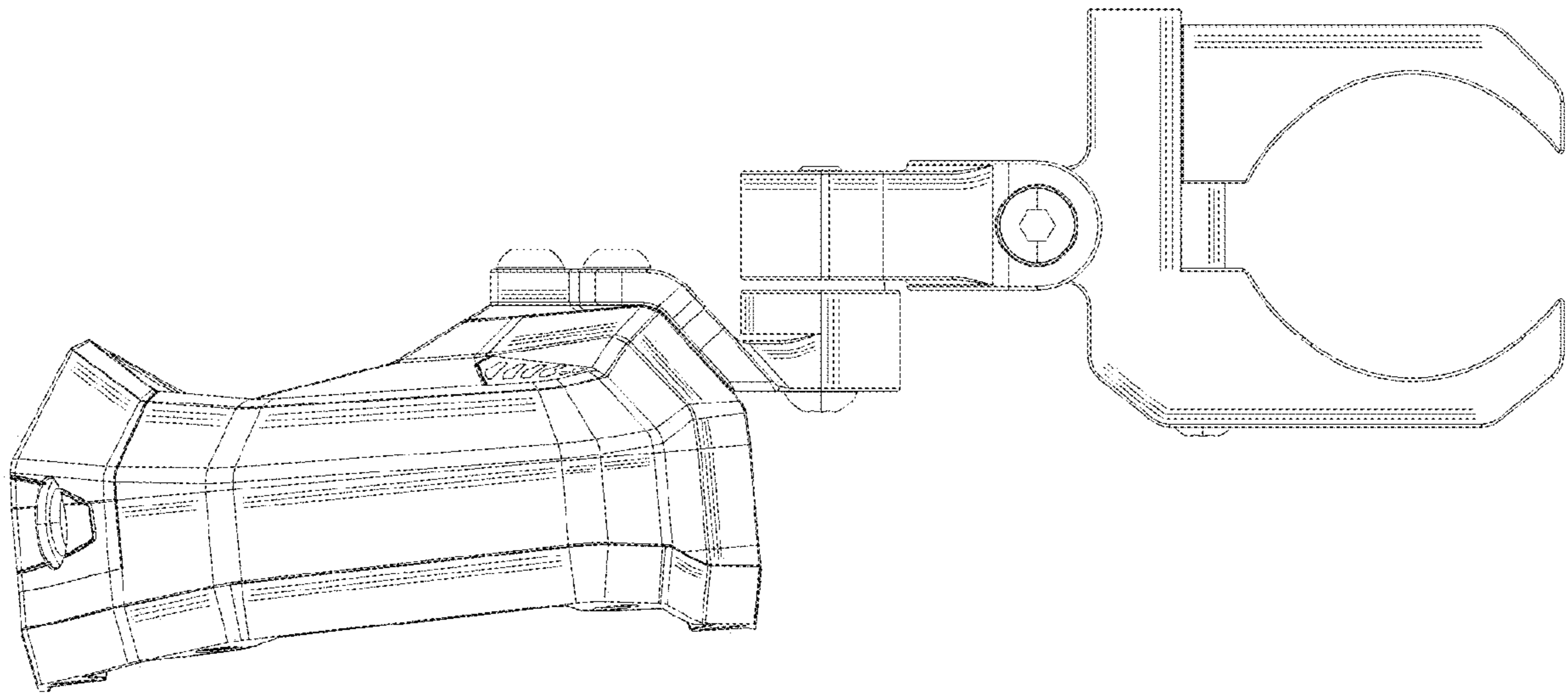


FIG. 7

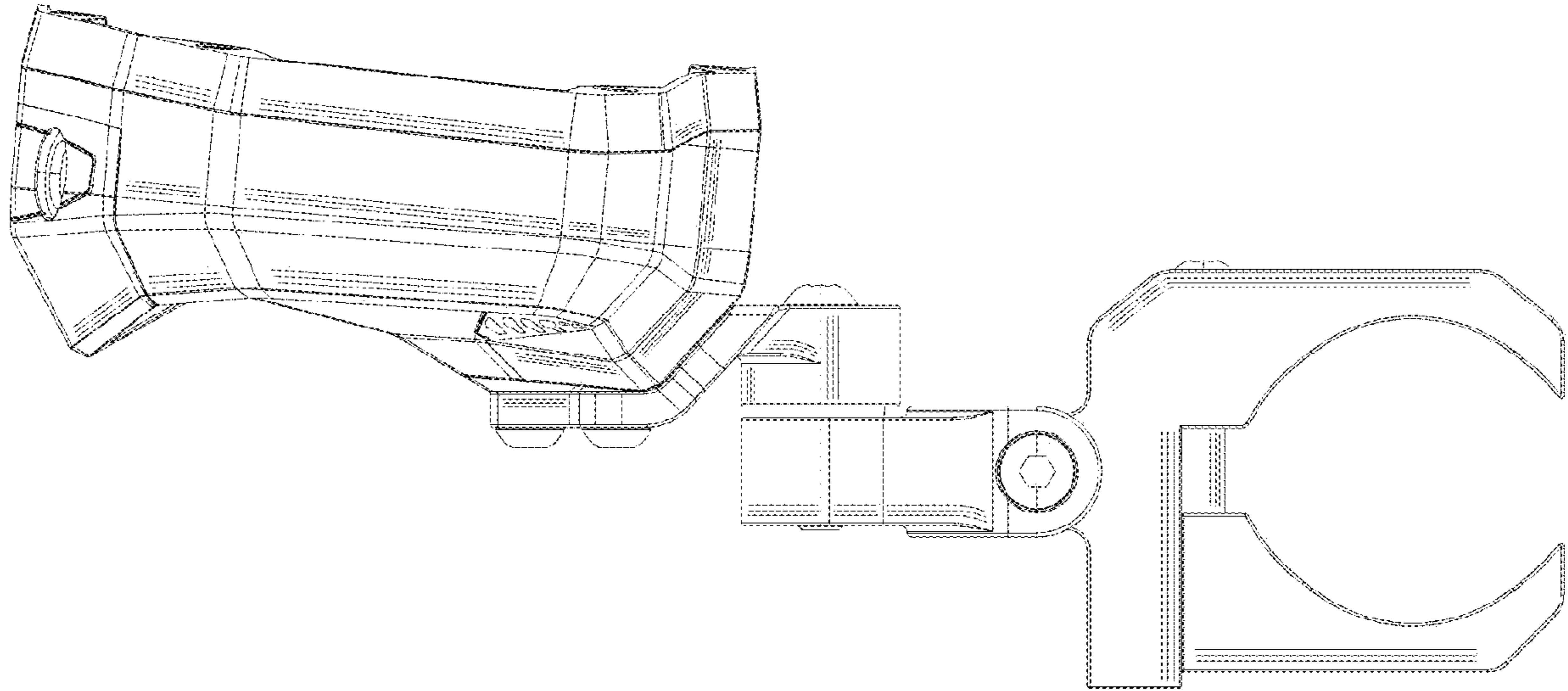


FIG. 8