



US00D976176S

(12) **United States Design Patent**
Yang

(10) **Patent No.:** **US D976,176 S**
(45) **Date of Patent:** **** Jan. 24, 2023**

(54) **SIDE MIRROR**

(71) Applicant: **Guangzhou issyzone Technology Co., Ltd, Guangzhou (CN)**

(72) Inventor: **Taiping Yang, Guangzhou (CN)**

(**) Term: **15 Years**

(21) Appl. No.: **29/800,409**

(22) Filed: **Jul. 21, 2021**

(51) **LOC (14) Cl.** **12-16**

(52) **U.S. Cl.**
USPC **D12/188**

(58) **Field of Classification Search**
USPC D12/187, 188; D26/1, 28, 29, 34
CPC B60R 1/04; B60R 1/06; B60R 1/12; B60R
1/076
See application file for complete search history.

(56) **References Cited**

U.S. PATENT DOCUMENTS

D625,674 S	10/2010	Majdandzic	
D626,047 S *	10/2010	Owyang	D12/187
D727,230 S	4/2015	Kao	
D759,557 S *	6/2016	Suesse	D12/187
D782,379 S	3/2017	Wassell	
D843,609 S *	3/2019	Heiner	D26/1

D854,194 S *	7/2019	Heiner	D26/1
D863,160 S	10/2019	Gifford et al.	
D908,566 S	1/2021	Zhao et al.	
D908,567 S	1/2021	Hunwick	
D932,965 S *	10/2021	Sims	D12/187
D945,337 S *	3/2022	Wang	D12/187

FOREIGN PATENT DOCUMENTS

CN 306511441 * 5/2021

* cited by examiner

Primary Examiner — Deanna L Pratt

(74) *Attorney, Agent, or Firm* — Rumit Ranjit Kanakia

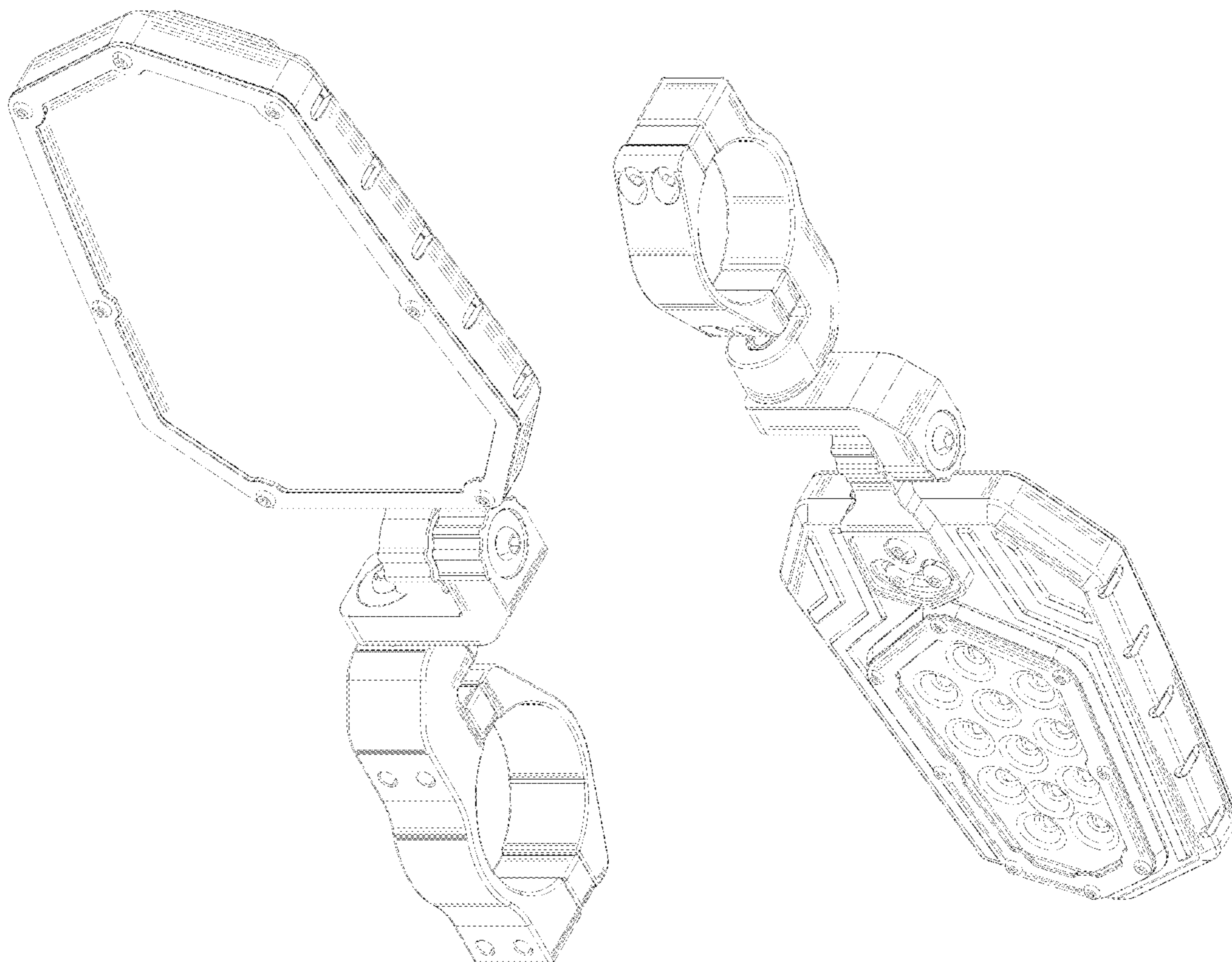
(57) **CLAIM**

I claim the ornamental design for a side mirror, as shown and described.

DESCRIPTION

FIG. 1 is a Perspective view of a side mirror showing my new design;
FIG. 2 is a Back and Bottom Perspective view thereof;
FIG. 3 is a Front view thereof;
FIG. 4 is a Back view thereof;
FIG. 5 is a Left-side view thereof;
FIG. 6 is a Right-side view thereof;
FIG. 7 is a Top view thereof; and,
FIG. 8 is a Bottom view thereof.

1 Claim, 8 Drawing Sheets



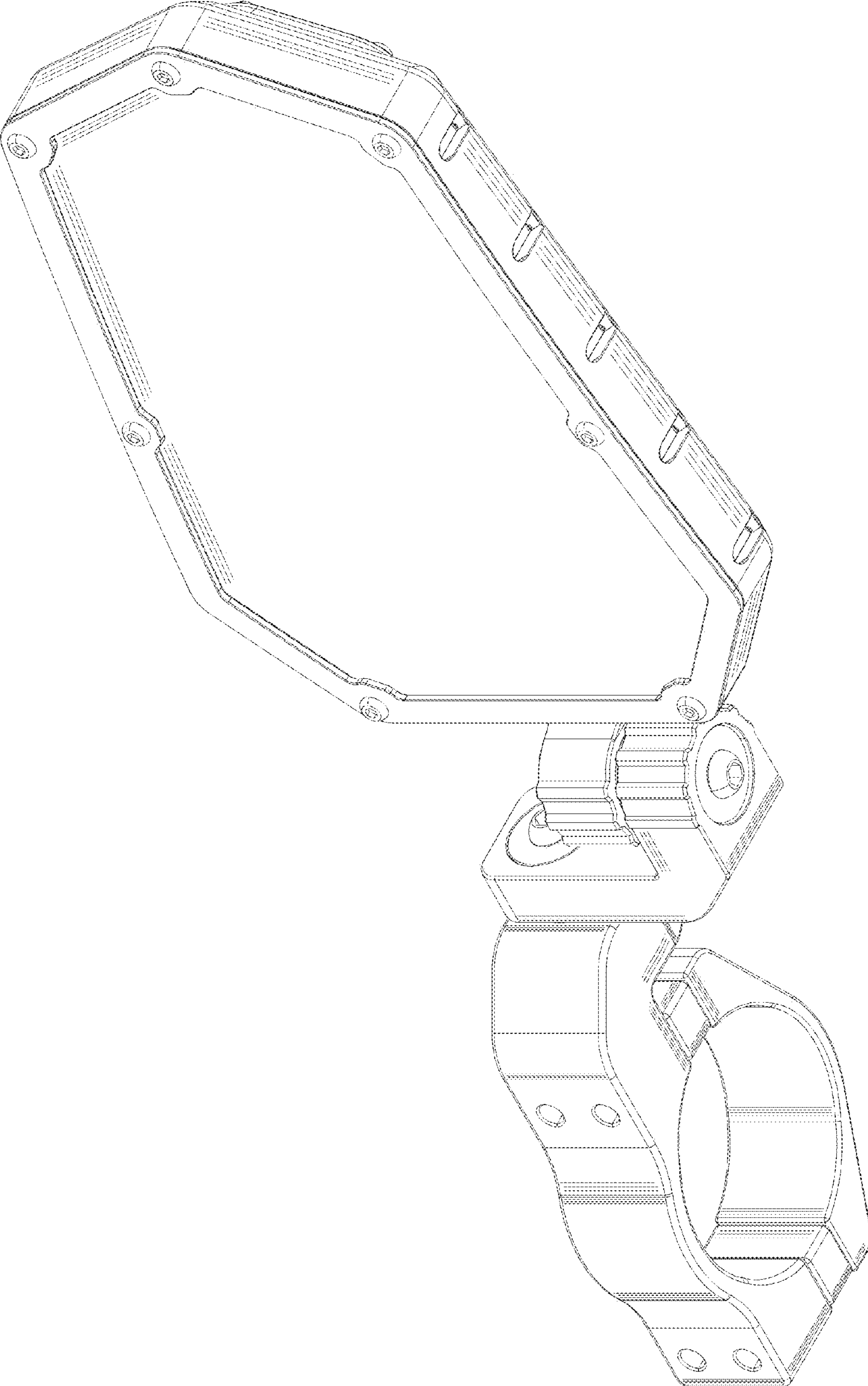


FIG. 1

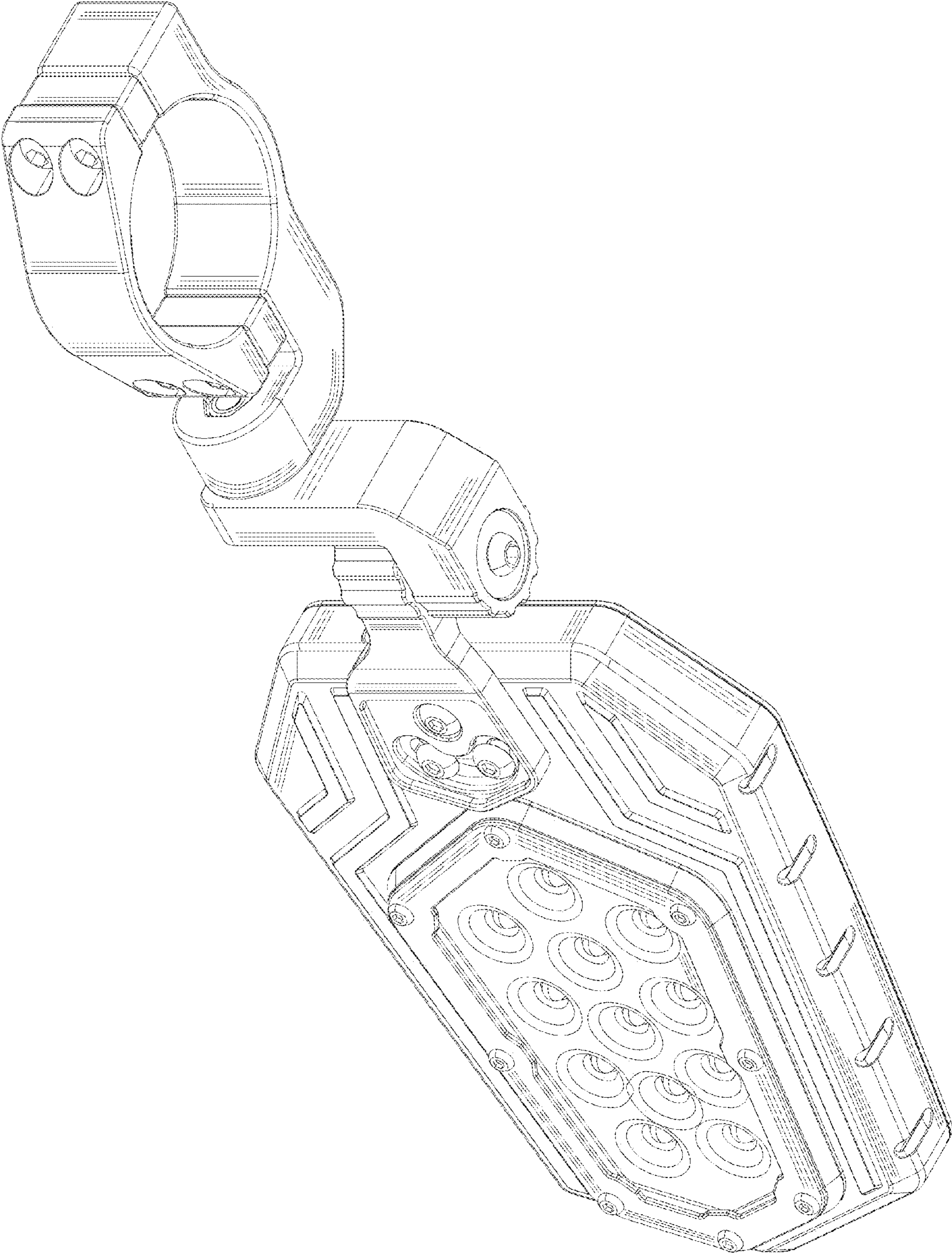


FIG. 2

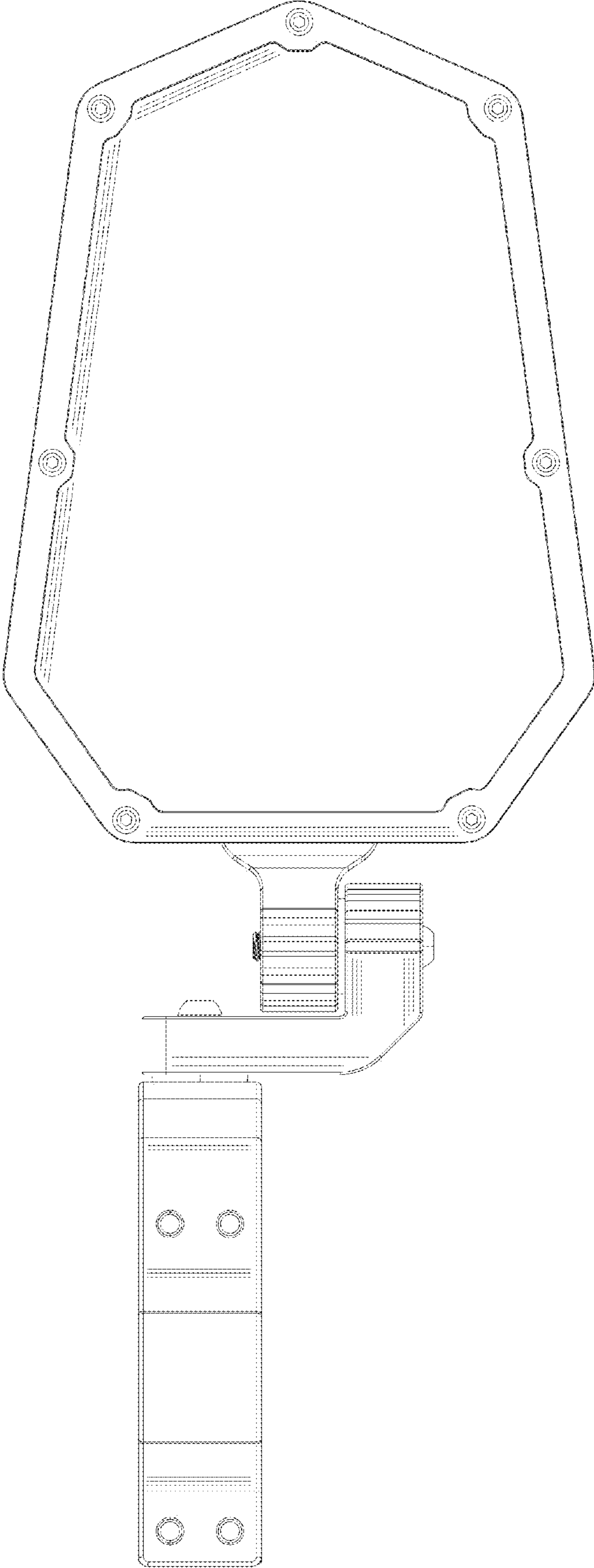


FIG. 3

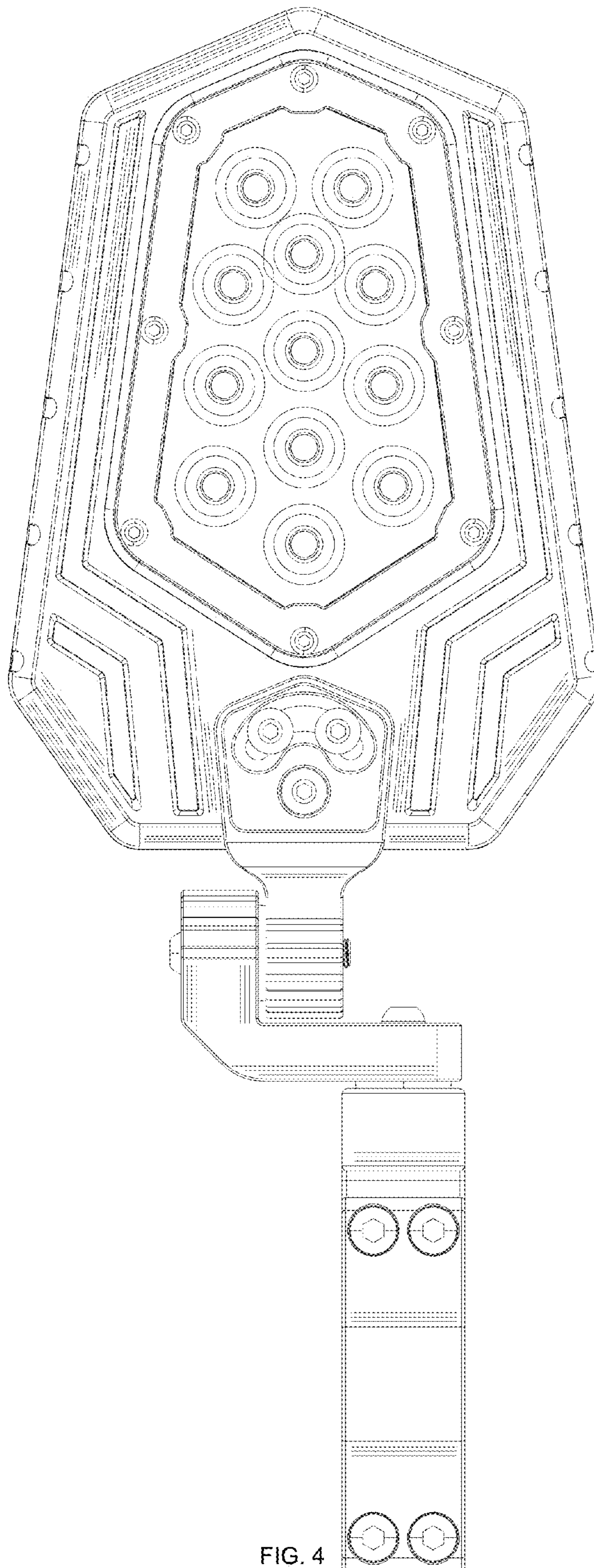


FIG. 4

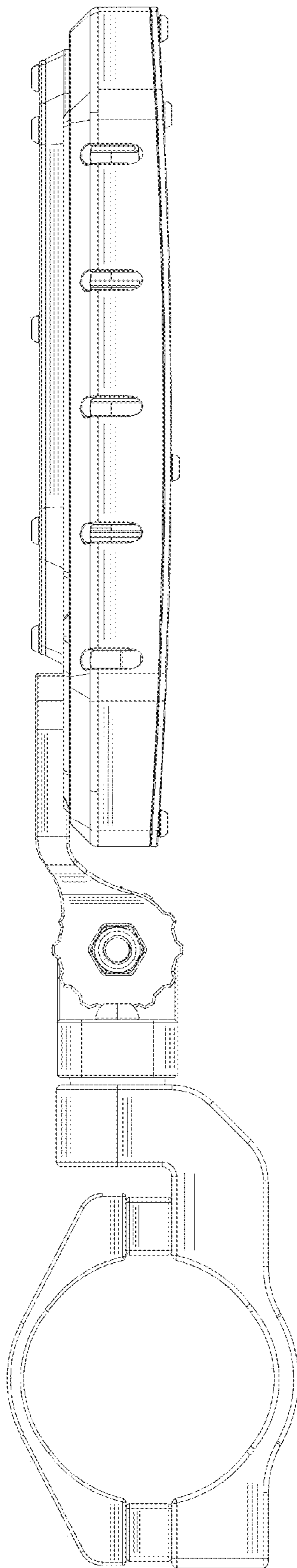


FIG. 5

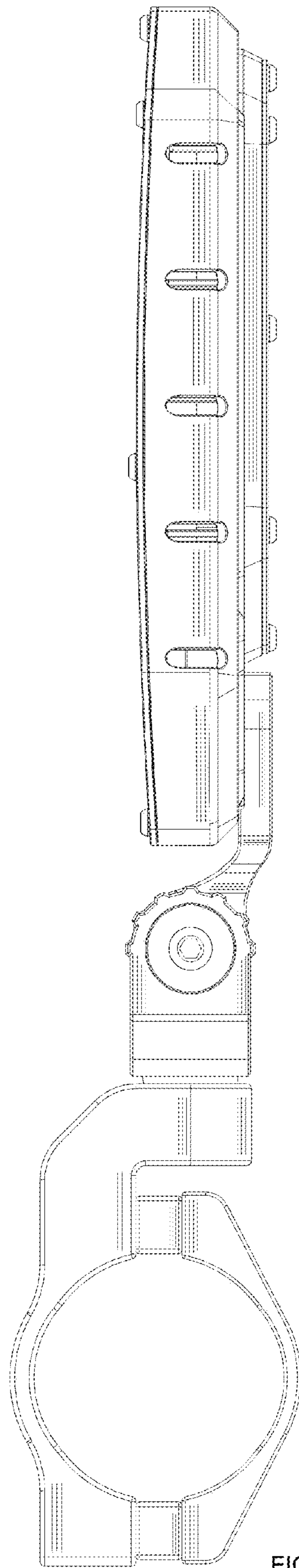


FIG. 6

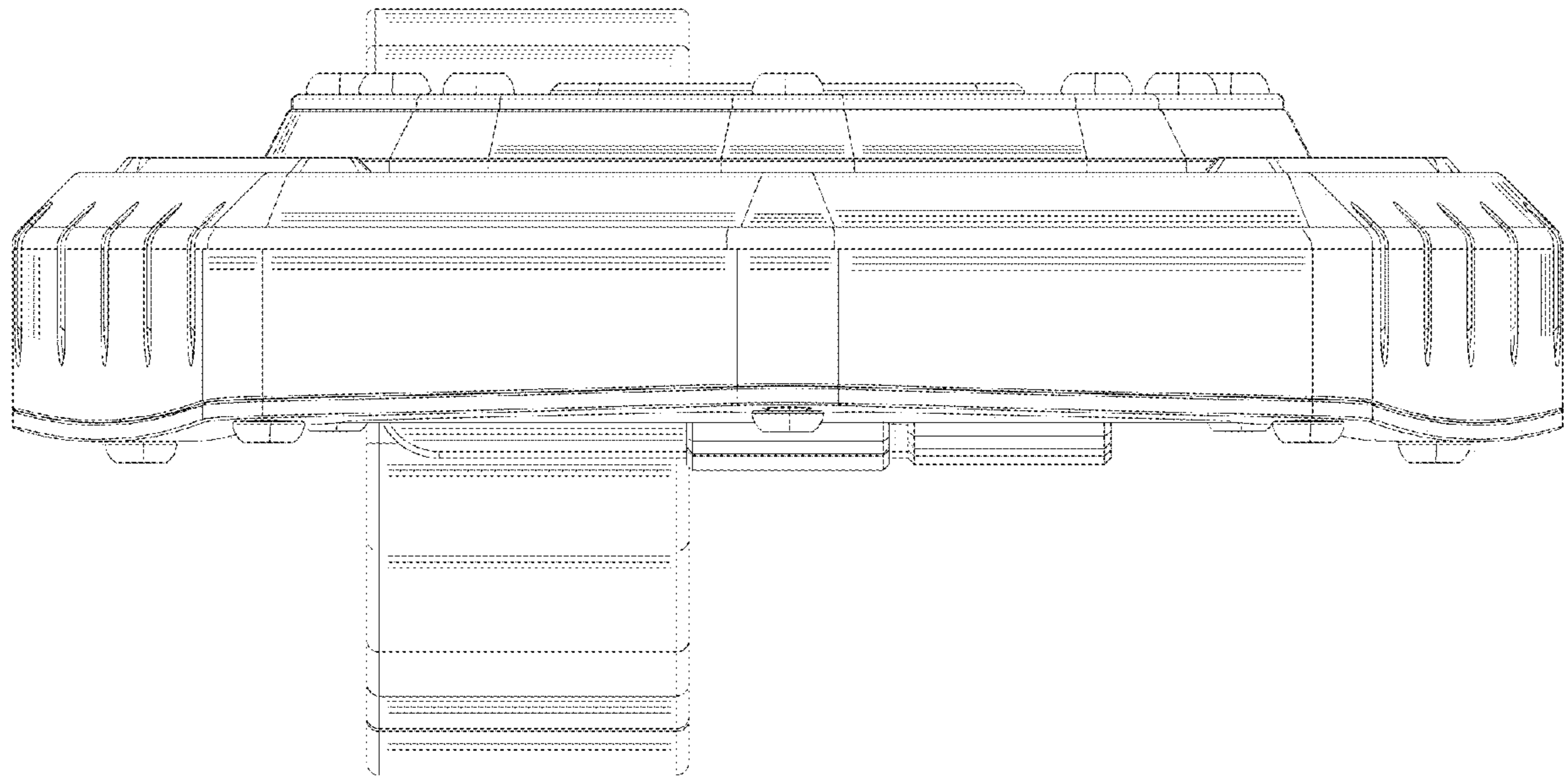


FIG. 7

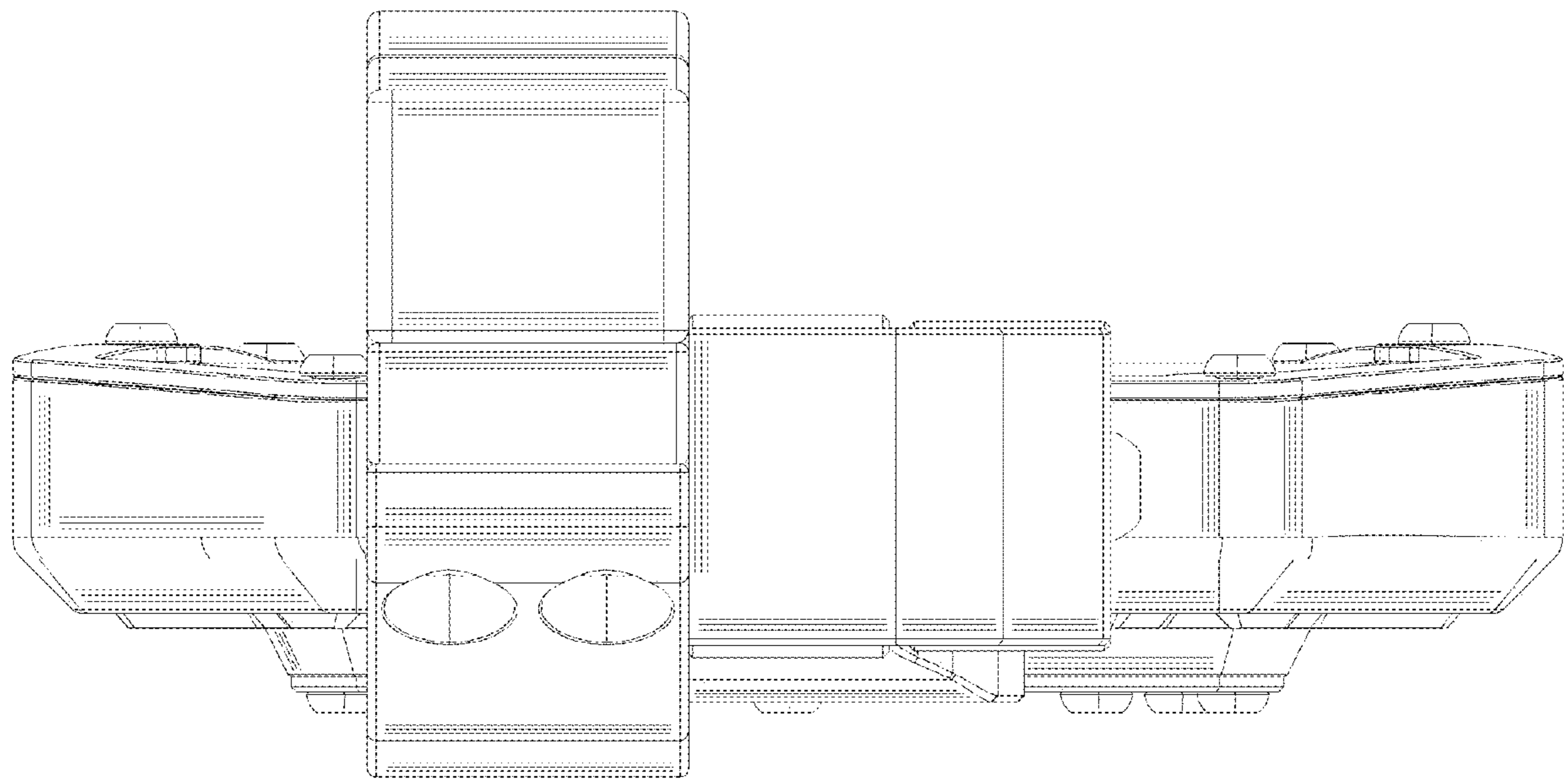


FIG. 8