



US00D976174S

(12) **United States Design Patent**
Hathaway

(10) **Patent No.:** **US D976,174 S**

(45) **Date of Patent:** **** Jan. 24, 2023**

(54) **VEHICLE STEERING WHEEL**
(71) Applicant: **JAGUAR LAND ROVER LIMITED,**
Coventry (GB)
(72) Inventor: **Philip Hathaway,** Coventry (GB)
(73) Assignee: **JAGUAR LAND ROVER LIMITED,**
Coventry (GB)
(**) Term: **15 Years**

D772,124 S * 11/2016 Lee D12/176
D784,871 S * 4/2017 Lee D12/176
D787,390 S * 5/2017 Kanda D12/176
D798,205 S * 9/2017 Kim D12/176
D798,206 S * 9/2017 Sjogren D12/176
D801,894 S * 11/2017 Kasano D12/176
D822,559 S * 7/2018 Boyes D12/176
D830,255 S * 10/2018 Kawahara D12/176
D848,913 S * 5/2019 Sjogren A61B 17/07207
D12/176
D853,911 S * 7/2019 Miyamoto D12/176
D875,000 S * 2/2020 Watola D12/176
D881,089 S * 4/2020 Sham D12/176

(21) Appl. No.: **29/772,015**

(22) Filed: **Feb. 26, 2021**

(30) **Foreign Application Priority Data**

Aug. 25, 2020 (EM) 008148605-0002

(51) **LOC (14) Cl.** **12-16**

(52) **U.S. Cl.**
USPC **D12/176**

(58) **Field of Classification Search**
USPC D12/175, 176, 177; 74/552, 558, 558.5
CPC B60R 21/203; B60R 21/05; B62D 1/04
See application file for complete search history.

(56) **References Cited**

U.S. PATENT DOCUMENTS

D649,095 S * 11/2011 Frank D12/176
D710,769 S * 8/2014 Cheung D12/176

* cited by examiner

Primary Examiner — Melody N Brown

(74) *Attorney, Agent, or Firm* — Reising Ethington P.C.

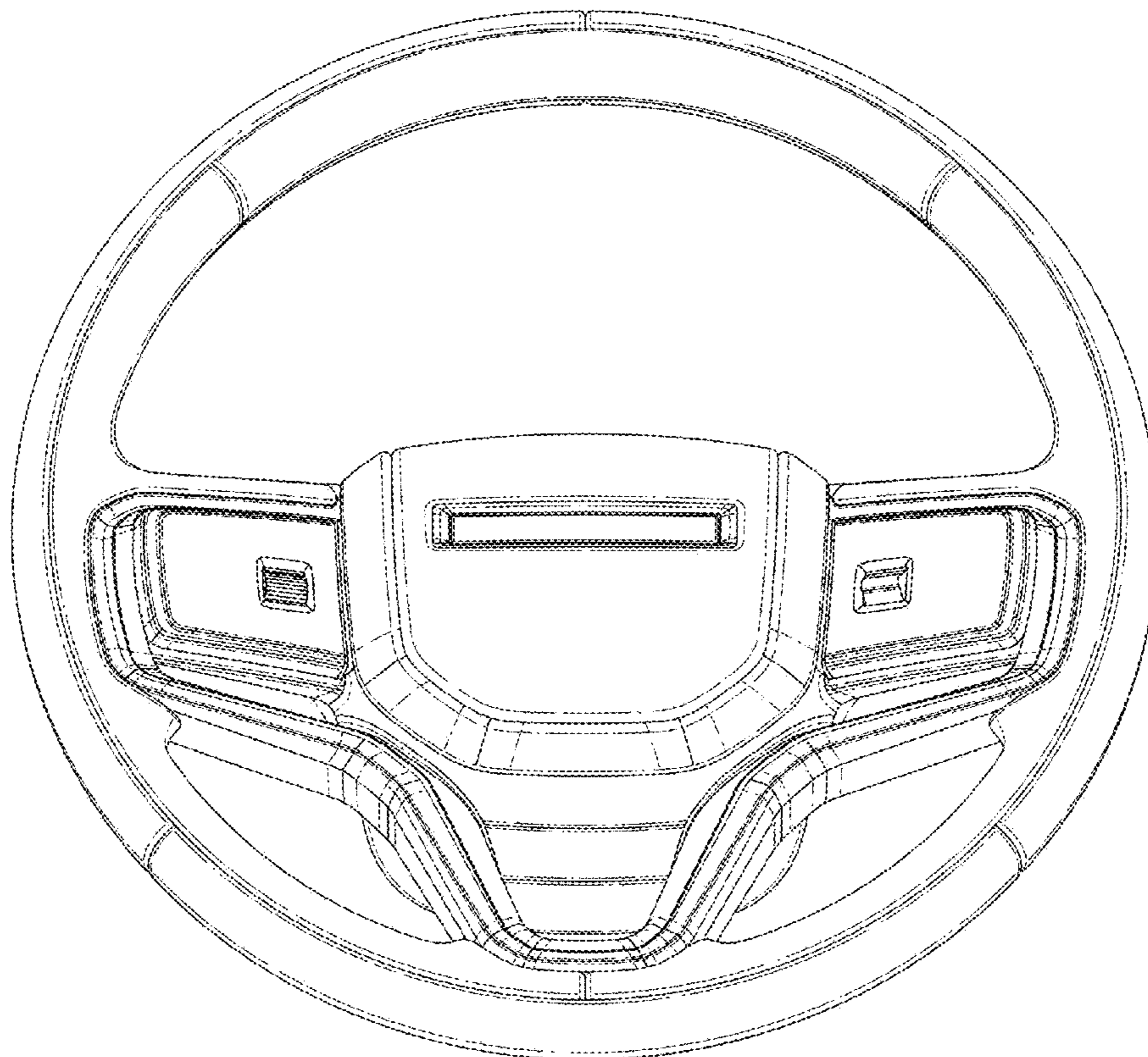
(57) **CLAIM**

The ornamental design for a vehicle steering wheel, as shown and described.

DESCRIPTION

FIG. 1 is a front and left side perspective view of a vehicle steering wheel showing my new design;
FIG. 2 is a front elevational view thereof;
FIG. 3 is a left side elevational view thereof;
FIG. 4 is a right side elevational view thereof;
FIG. 5 is a top plan view thereof;
FIG. 6 is a bottom plan view thereof;
FIG. 7 is a rear and right side perspective view thereof; and,
FIG. 8 is a rear elevational view thereof.

1 Claim, 8 Drawing Sheets



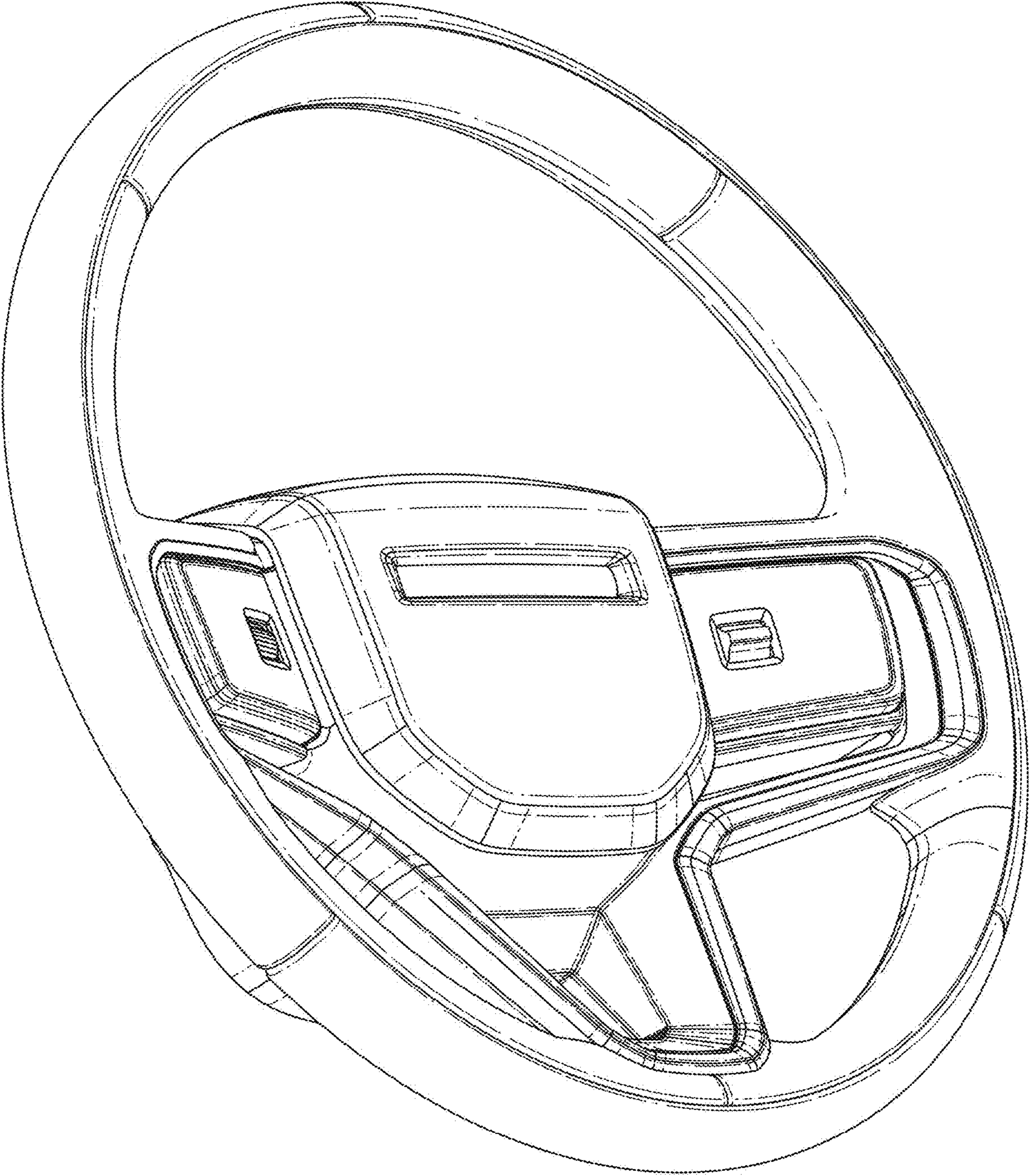


FIG. 1

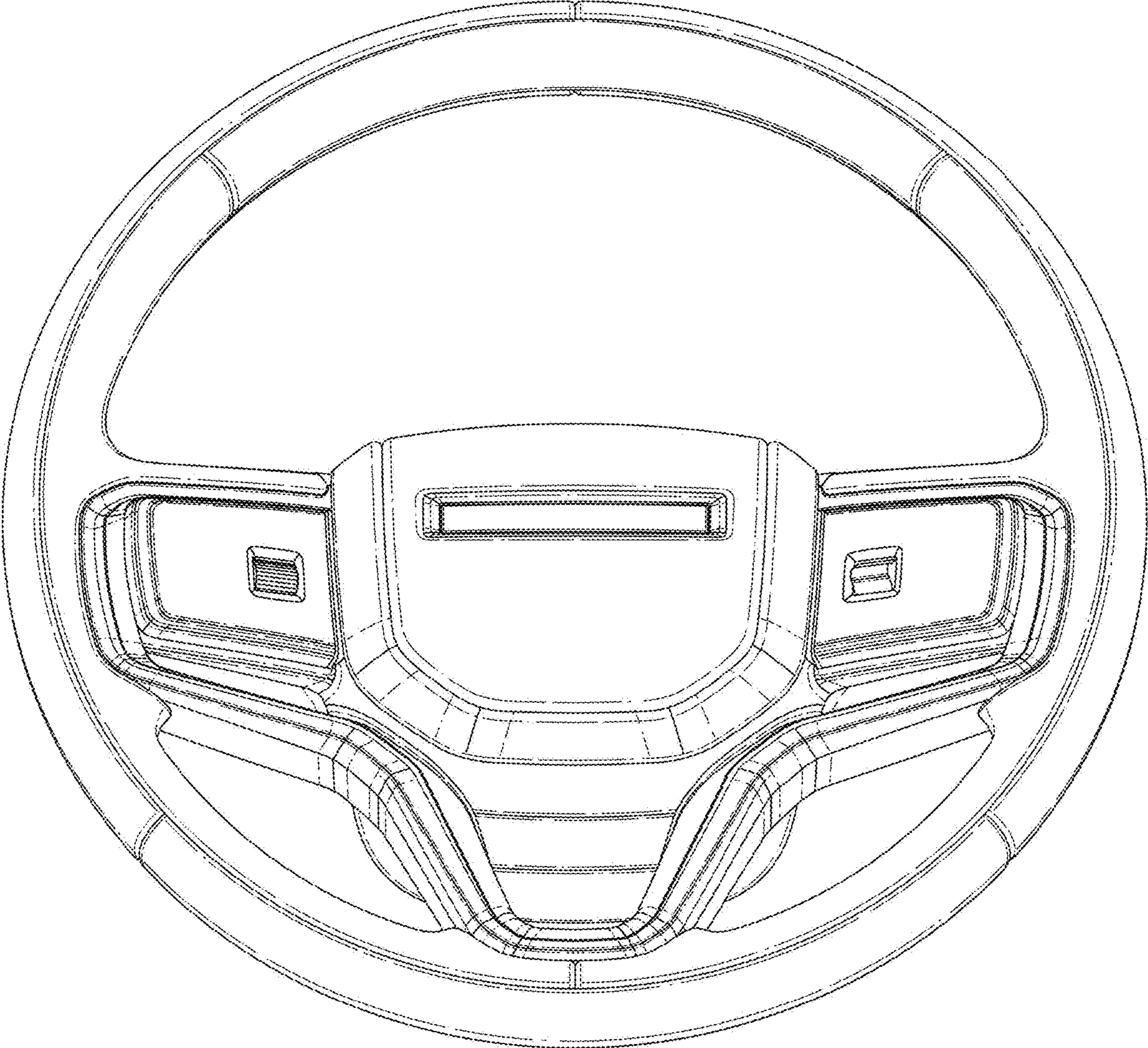


FIG. 2

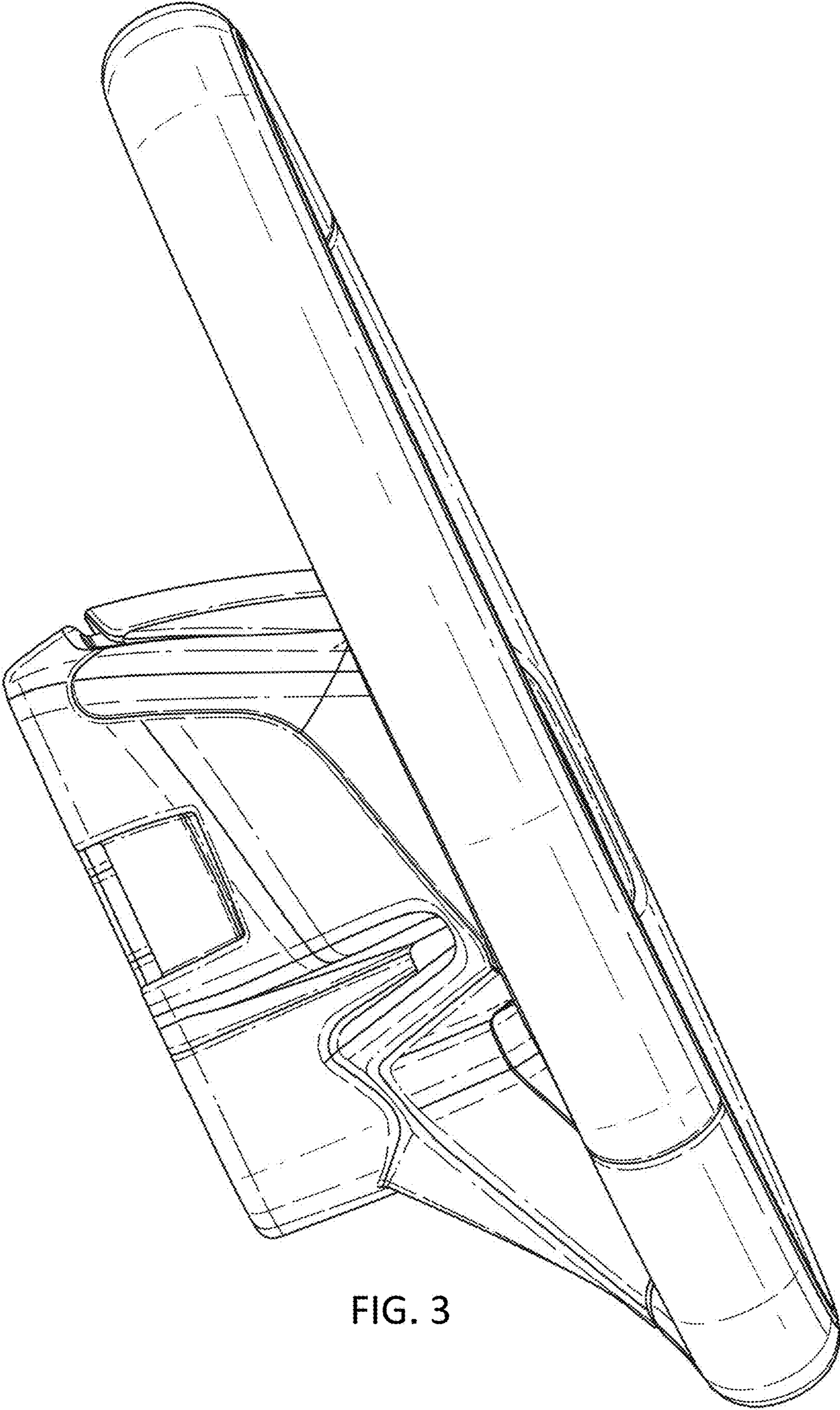


FIG. 3

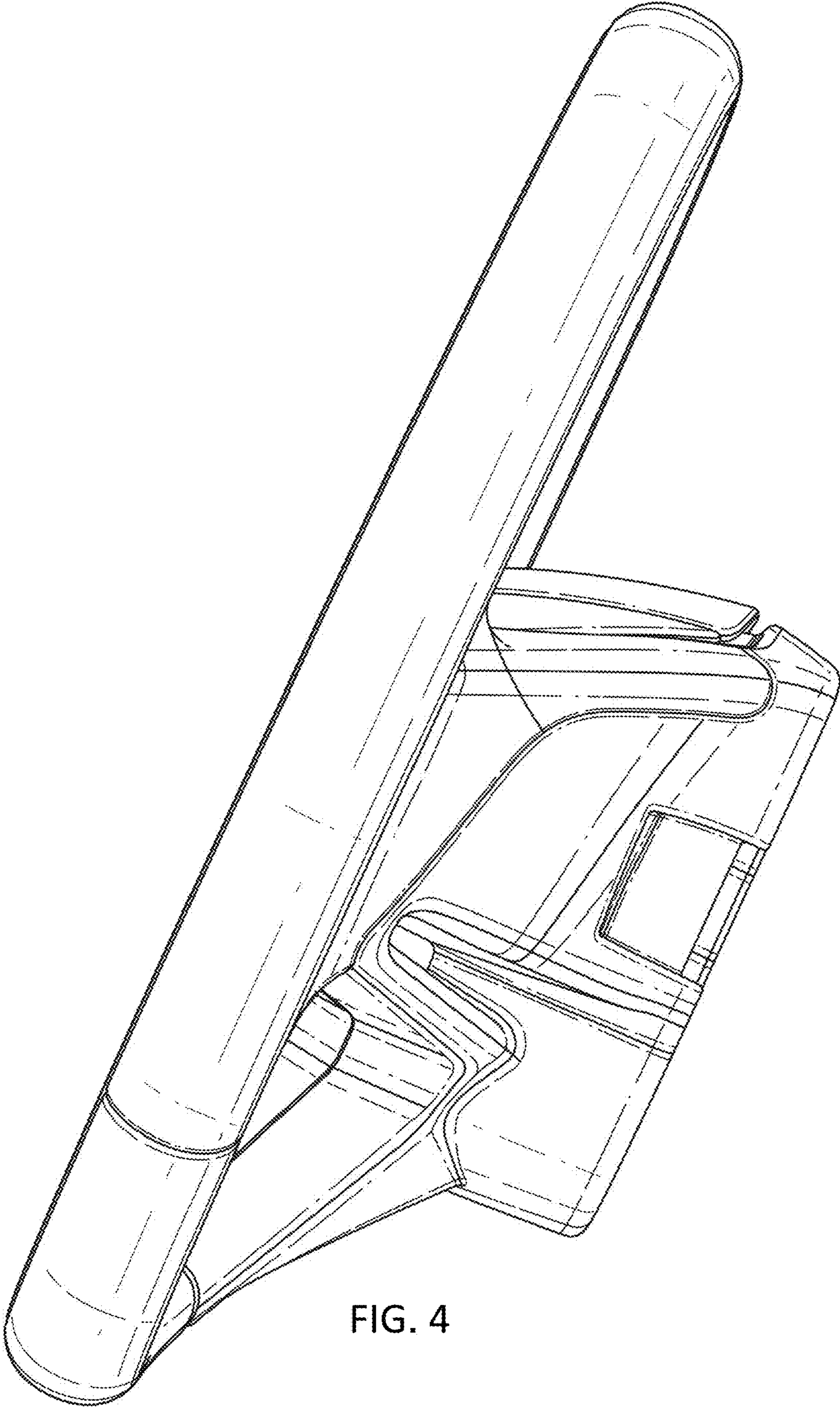


FIG. 4

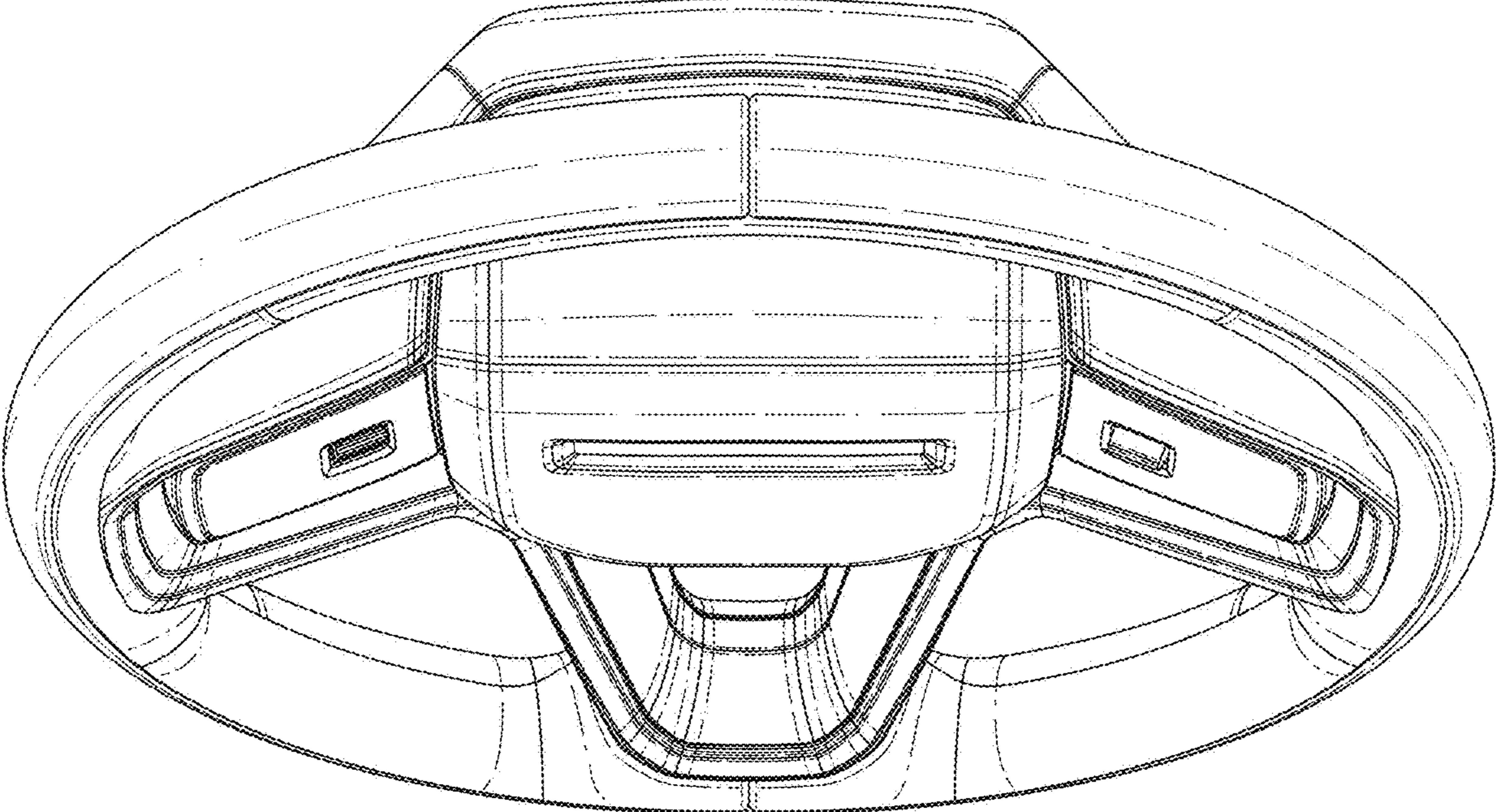


FIG. 5

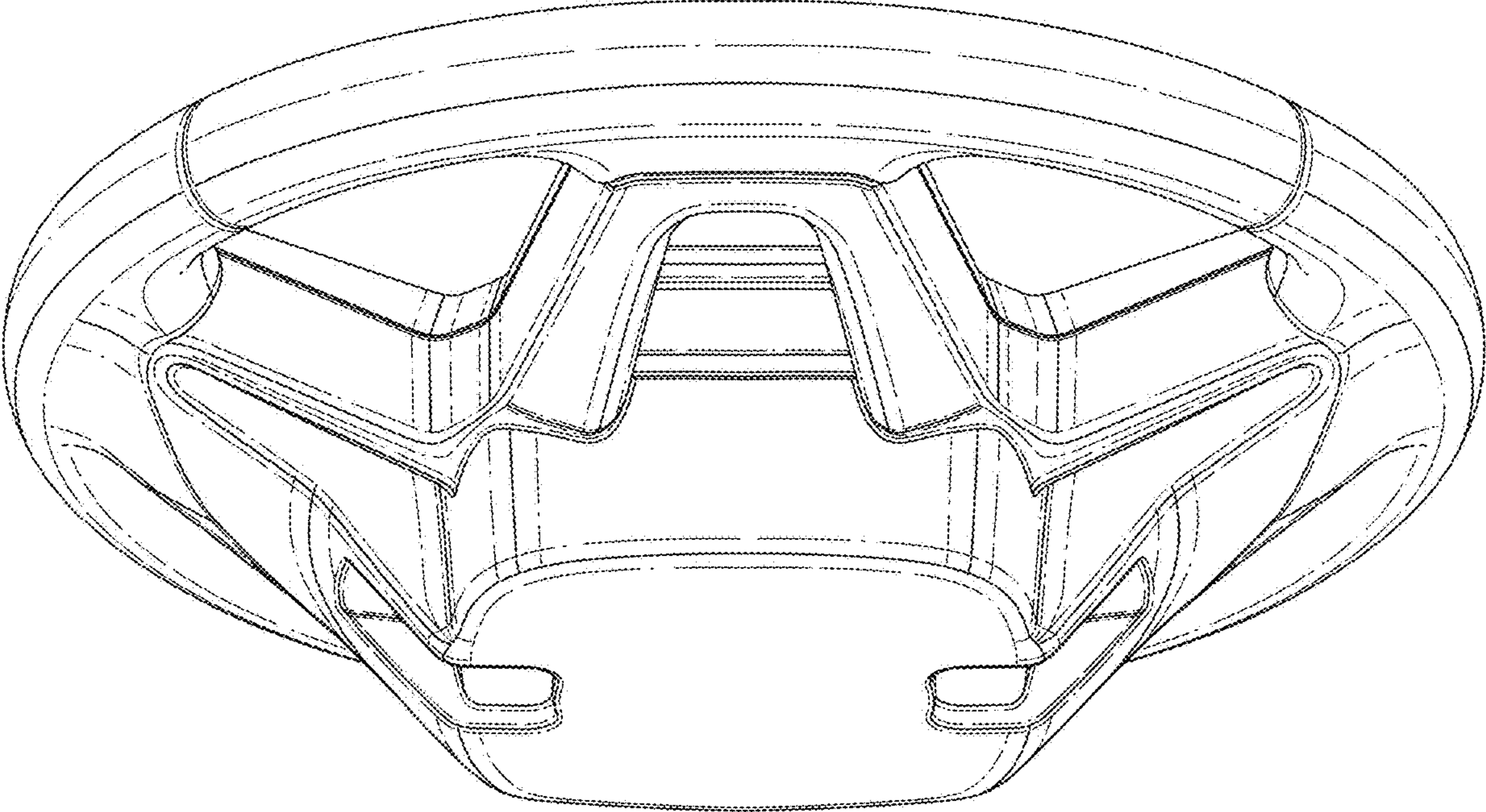


FIG. 6

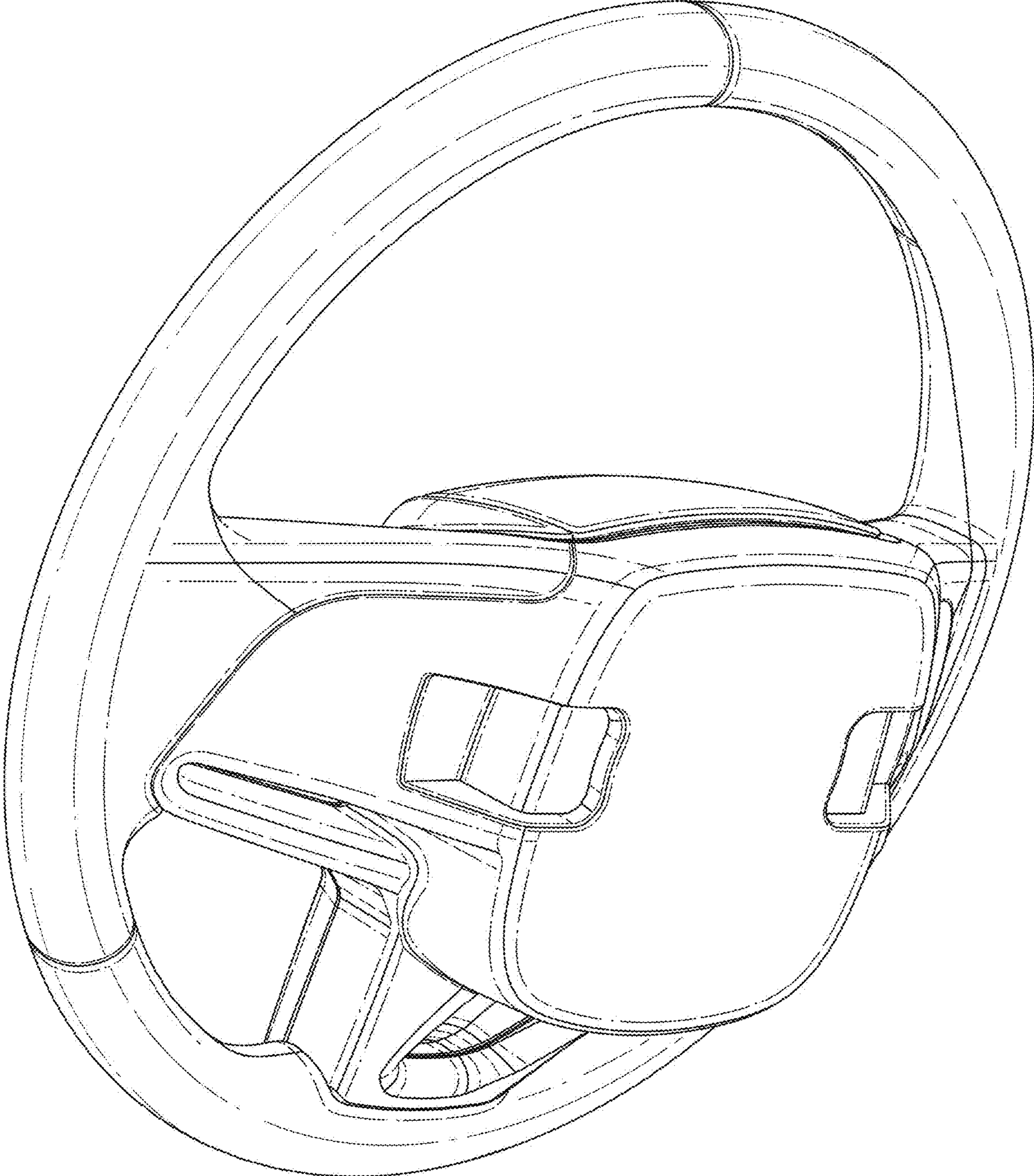


FIG. 7

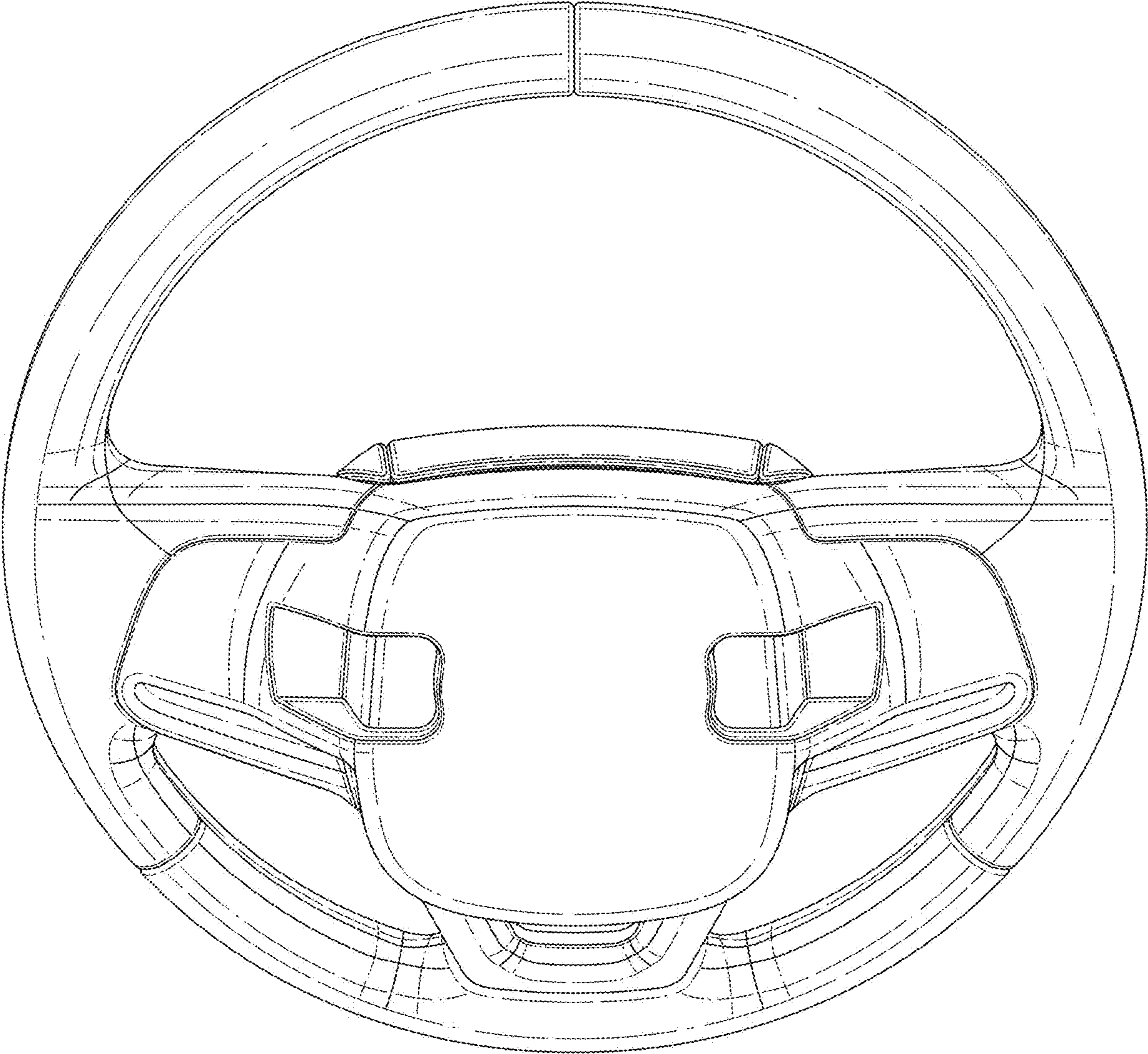


FIG. 8