



US00D976172S

(12) **United States Design Patent** (10) **Patent No.:** **US D976,172 S**
Baek et al. (45) **Date of Patent:** **** Jan. 24, 2023**

(54) **FRONT BUMPER COVER FOR VEHICLES**

(71) Applicants: **HYUNDAI MOTOR COMPANY**,
Seoul (KR); **KIA CORPORATION**,
Seoul (KR)

(72) Inventors: **Woo-Yul Baek**, Suwon-si (KR);
Yong-Jun Heo, Gwacheon-si (KR)

(73) Assignees: **Hyundai Motor Company**, Seoul
(KR); **Kia Motors Corporation**, Seoul
(KR)

(**) Term: **15 Years**

(21) Appl. No.: **35/512,370**

(22) Filed: **Jul. 23, 2021**

(80) **Hague Agreement Data**

Int. Filing Date: **Jul. 23, 2021**
Int. Reg. No.: **DM/215658**
Int. Reg. Date: **Jul. 23, 2021**
Int. Reg. Pub. Date: **Aug. 13, 2021**

(30) **Foreign Application Priority Data**

Feb. 23, 2021 (KR) 30-2021-0008904

(51) **LOC (14) Cl.** **12-16**

(52) **U.S. Cl.**
USPC **D12/169**

(58) **Field of Classification Search**

USPC D12/163, 196, 86, 90-92, 169, 190, 98,
D12/164; 293/102, 113, 115, 117, 120,
293/193.11; 296/180.1, 180.2

CPC B60R 19/02; B60R 19/04; B62D 25/08
See application file for complete search history.

(56) **References Cited**

U.S. PATENT DOCUMENTS

8,132,851 B2 * 3/2012 Steller B60R 19/12
293/133
8,157,303 B2 * 4/2012 Fortin B60R 19/52
293/115

D773,348 S * 12/2016 Munakata D12/82
D817,826 S * 5/2018 Seo D12/169
D855,511 S * 8/2019 Smith D12/169
D870,612 S * 12/2019 Tonello D12/169
D955,294 S * 6/2022 Kim D12/91
D955,306 S * 6/2022 Oh D12/169
D955,943 S * 6/2022 Oh D12/169
D959,332 S * 8/2022 Kim D12/91

* cited by examiner

Primary Examiner — Melody N Brown

(74) *Attorney, Agent, or Firm* — Fox Rothschild LLP

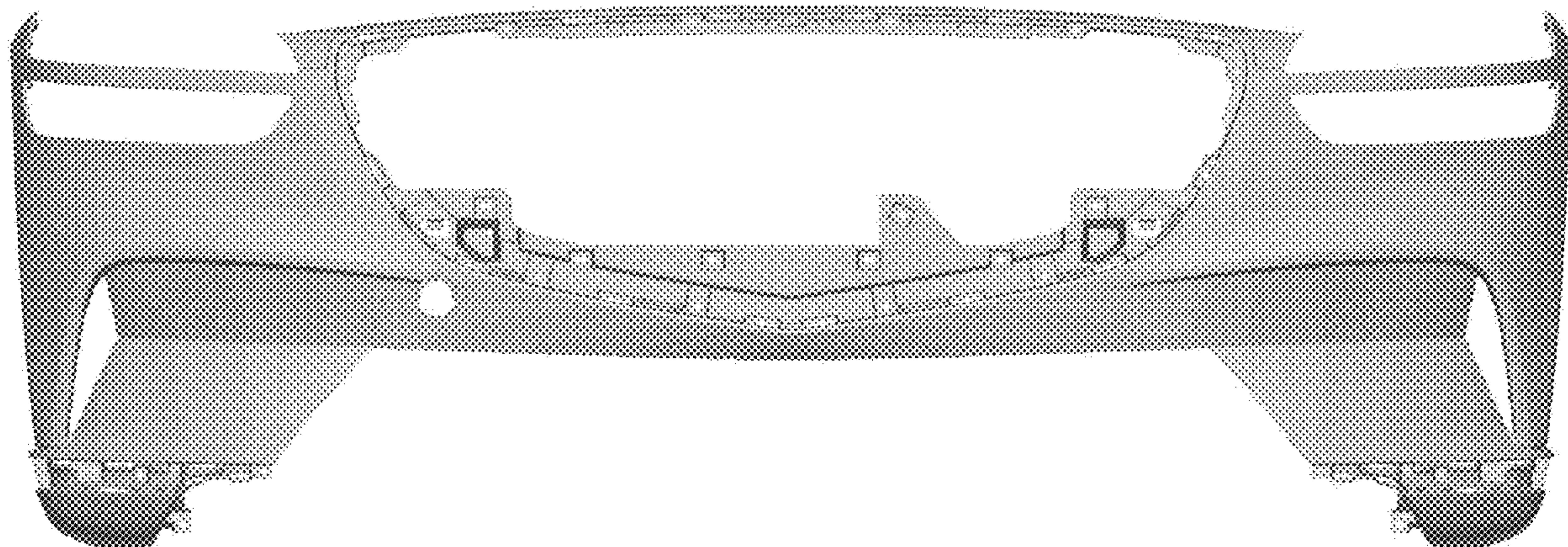
(57) **CLAIM**

The ornamental design for a front bumper cover for vehicles,
as shown and described.

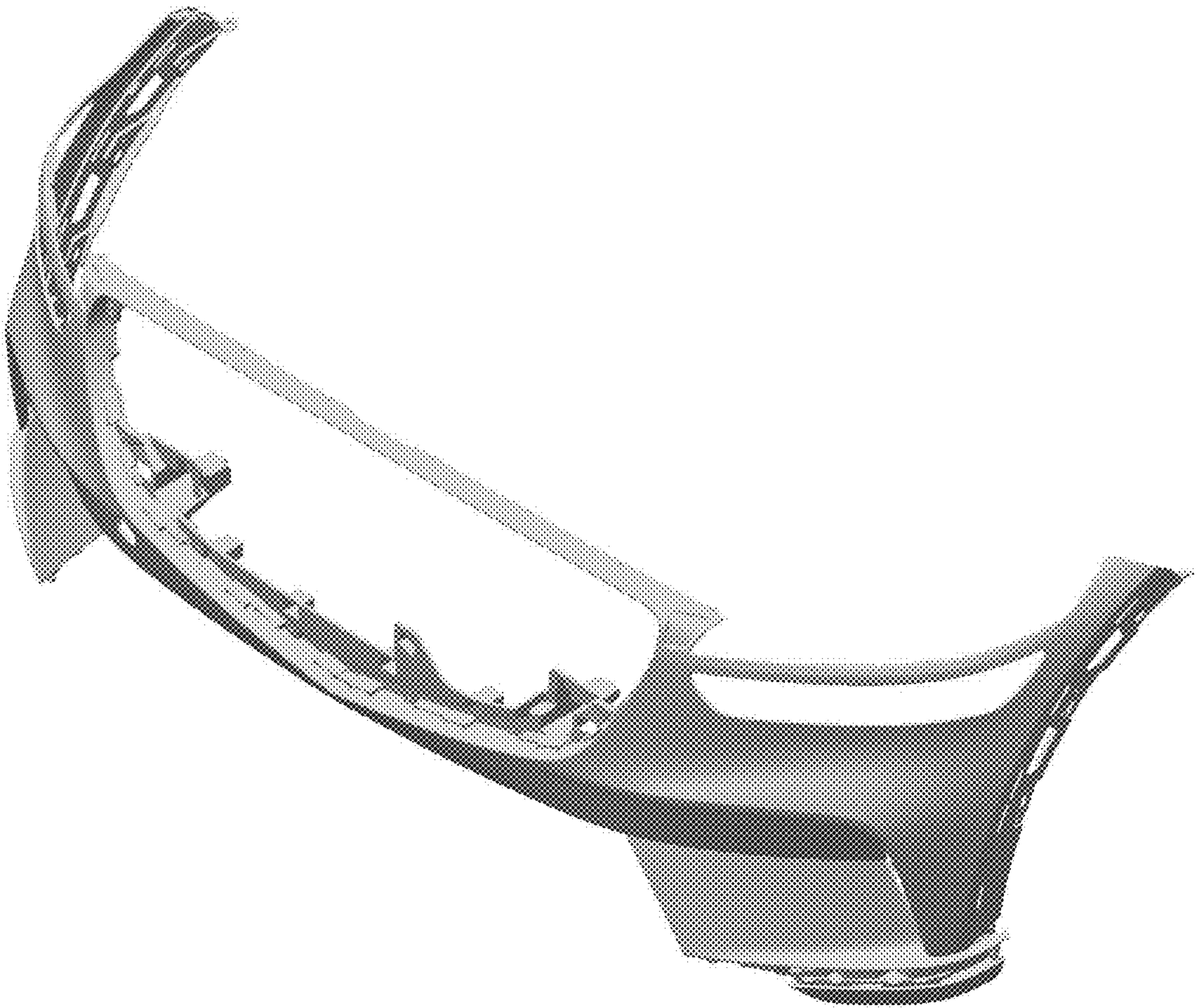
DESCRIPTION

1. Front bumper cover for vehicles
1.1 is a top, front and left side perspective view of a front bumper cover for vehicles showing our new design;
1.2 is a front elevation view thereof;
1.3 is a top, rear and right side perspective view thereof;
1.4 is a right side elevation view thereof;
1.5 is a left side elevation view thereof;
1.6 is a top plan view thereof;
1.7 is a bottom plan view thereof; and,
1.8 is a top, rear and right side perspective view thereof.
1.1 is a top, front, and left side perspective view of a front bumper cover for vehicles embodying our new design; **1.2** is a front elevation view thereof; **1.3** is a rear elevation view thereof; **1.4** is a right side elevation view thereof; **1.5** is a left side elevation view thereof; **1.6** is a top plan view thereof; **1.7** is a bottom plan view thereof; and **1.8** is a top, rear, and left side perspective view thereof; this article is mounted on the front of vehicles, and is used to reduce the shock transmitted to the vehicle in the event of collision.

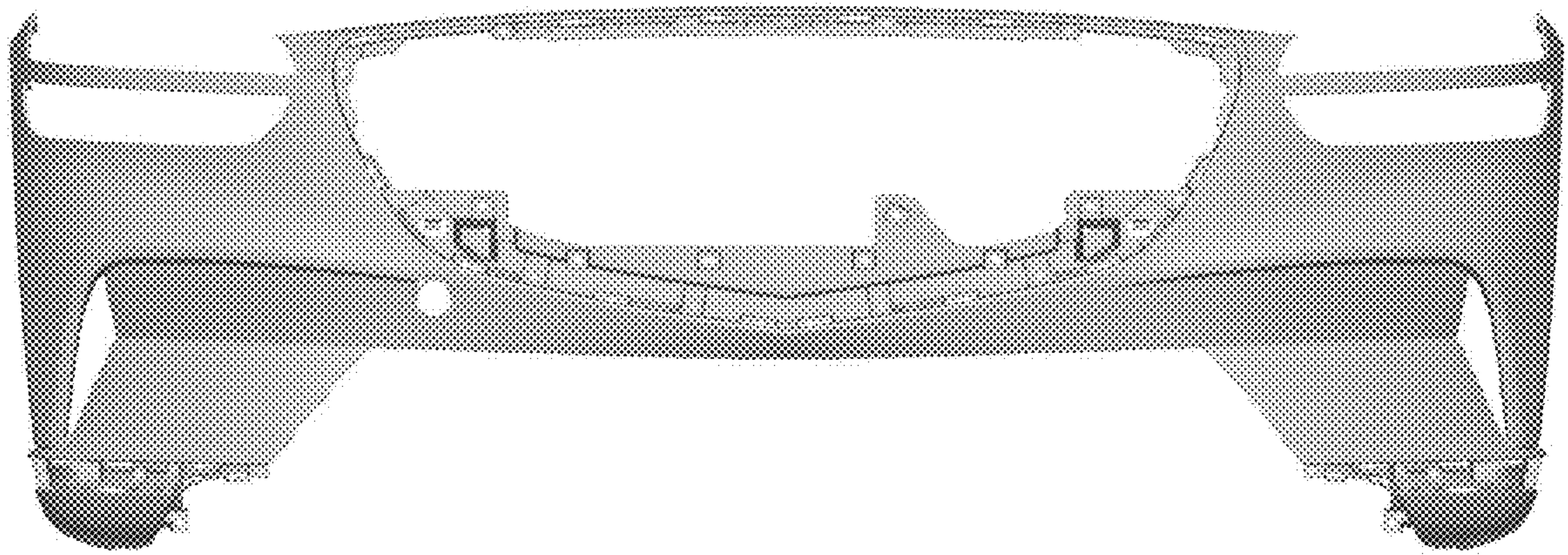
1 Claim, 8 Drawing Sheets



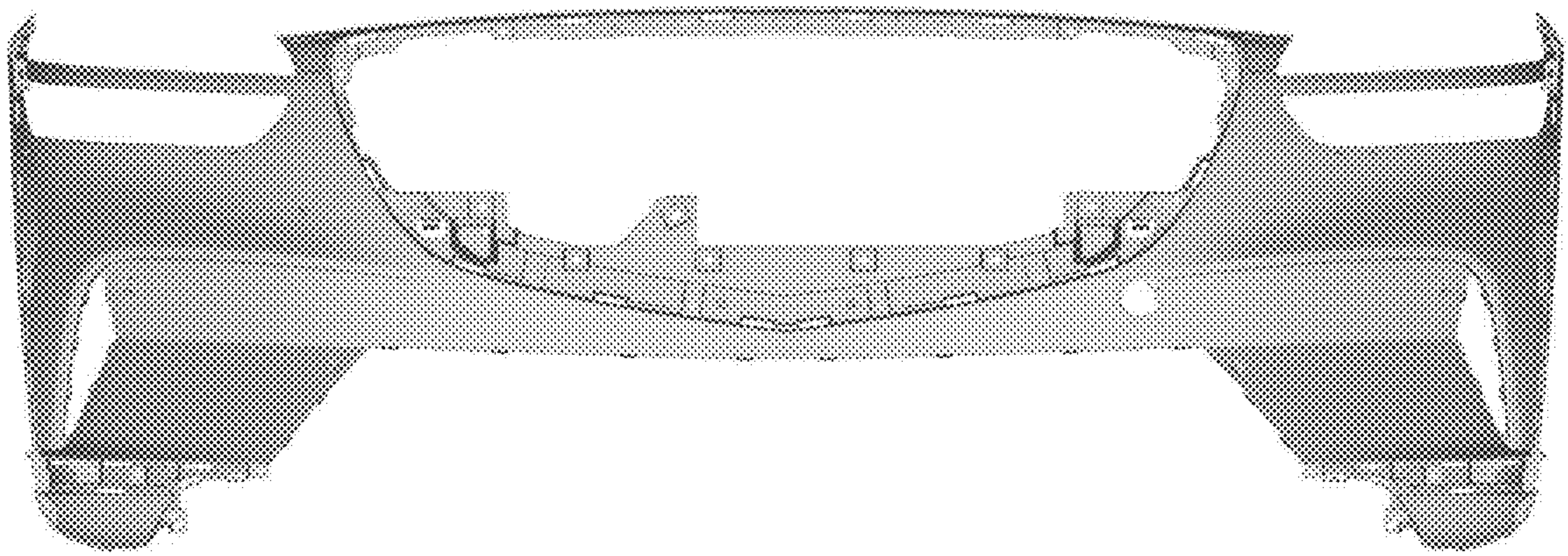
1.1



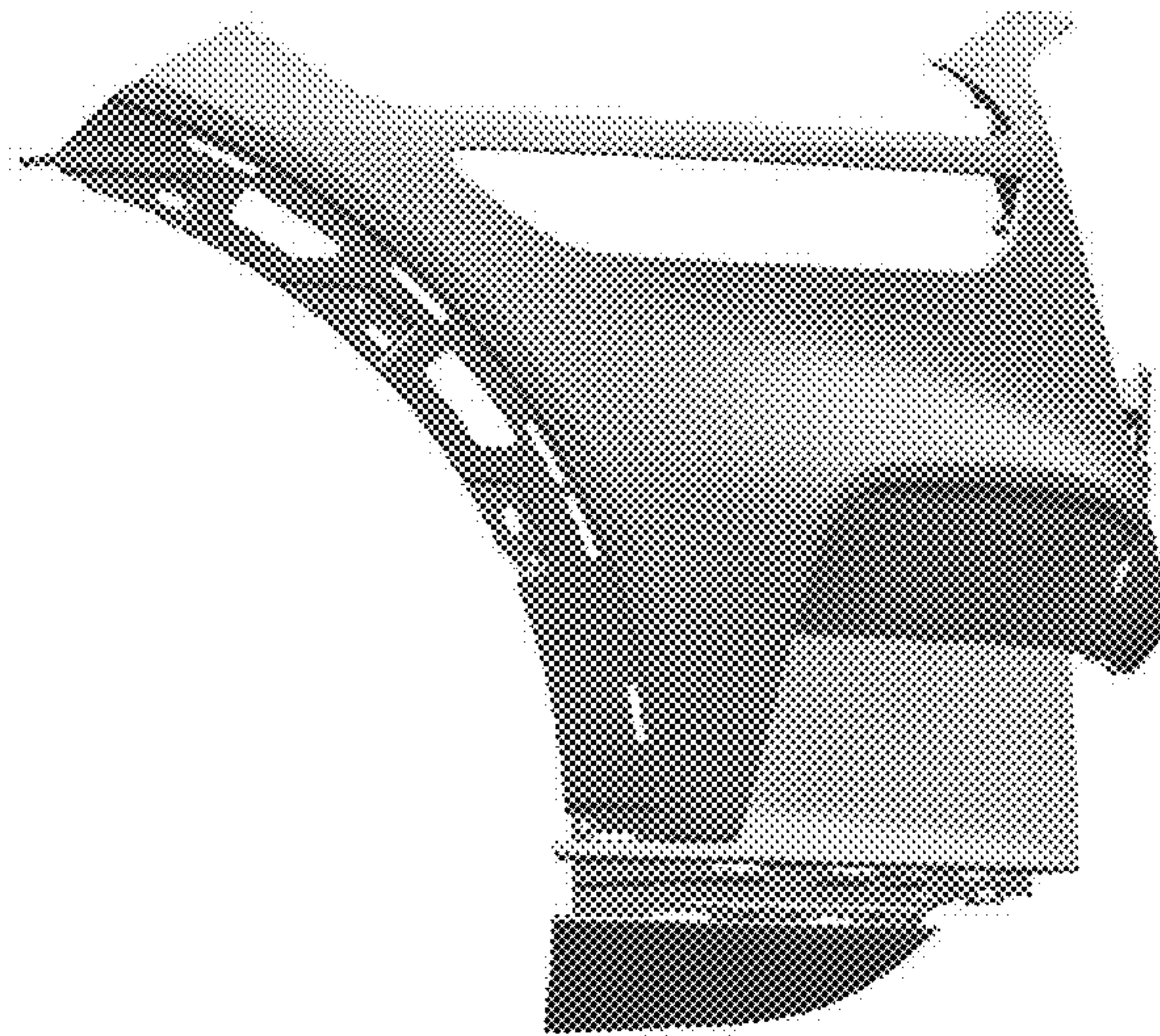
1.2



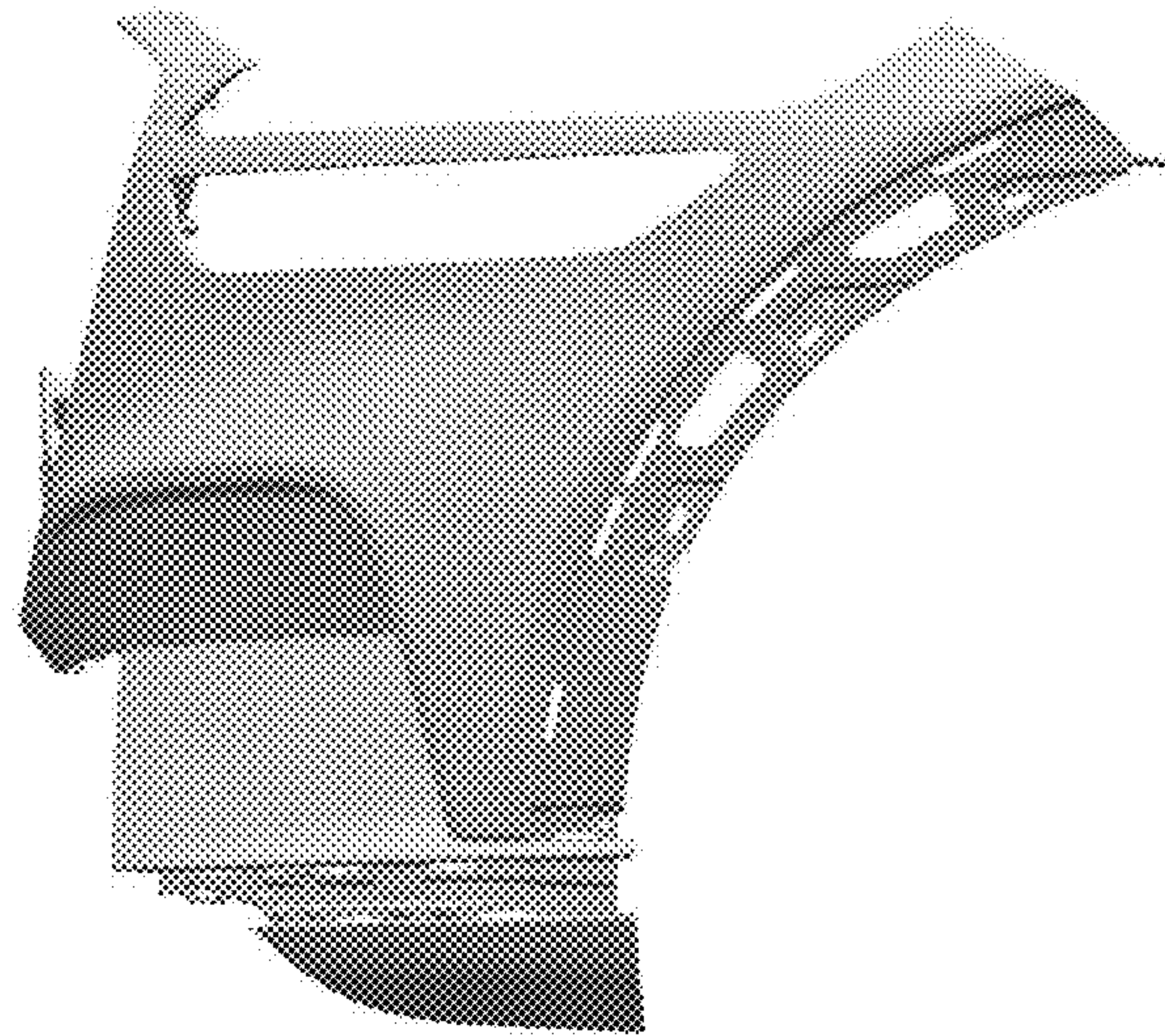
1.3



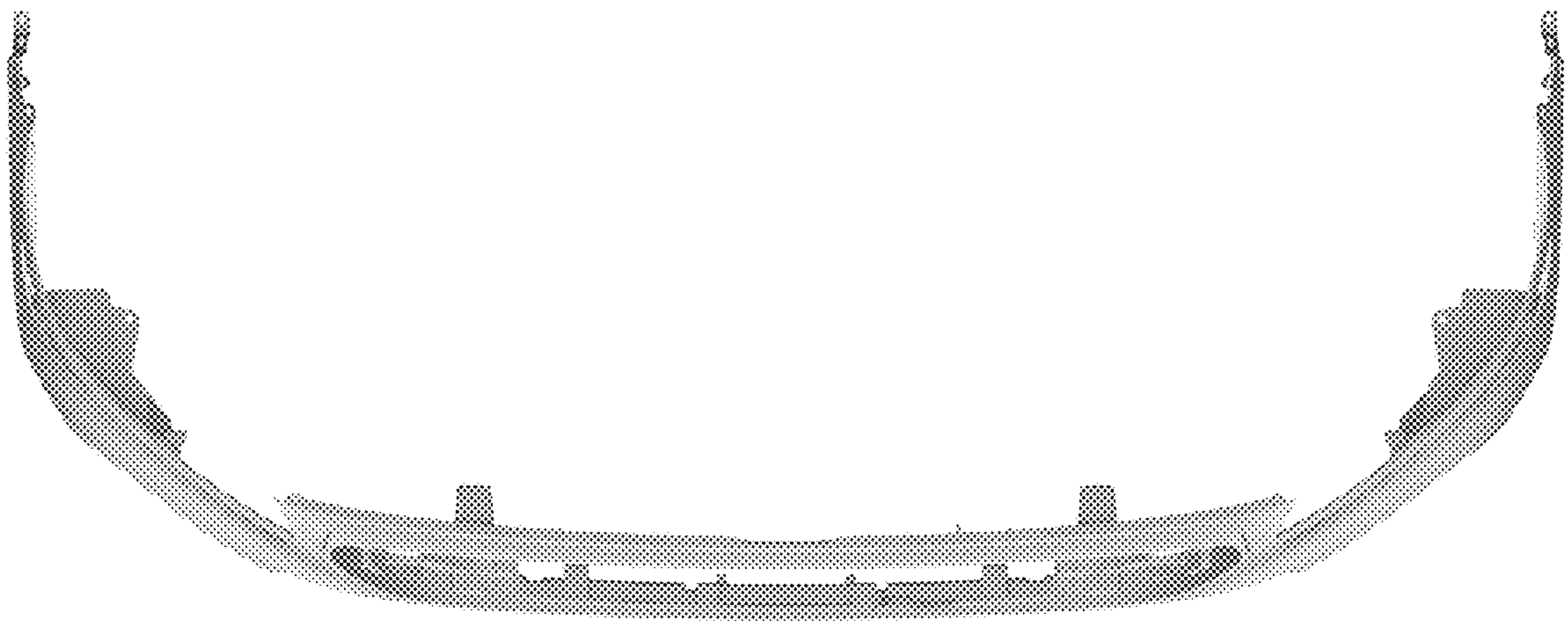
1.4



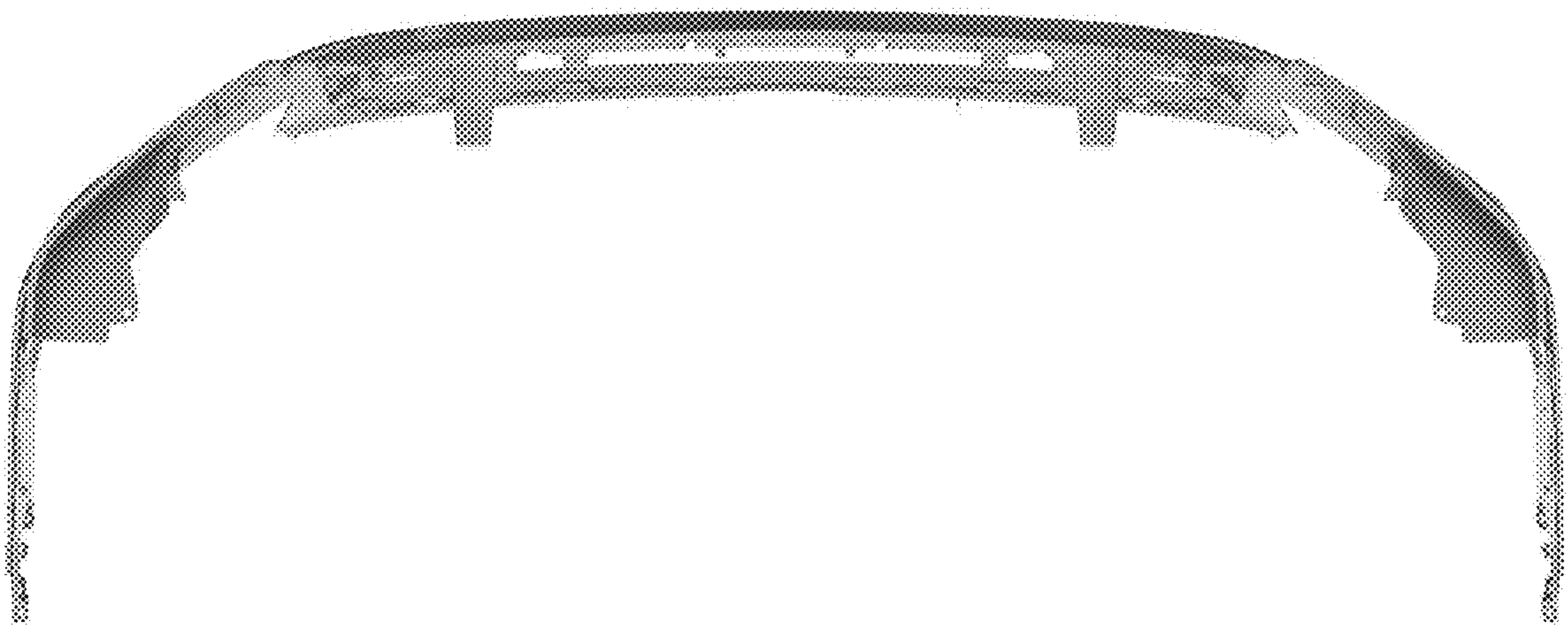
1.5



1.6



1.7



1.8

