



US00D976171S

(12) **United States Design Patent** (10) **Patent No.:** **US D976,171 S**
Pena (45) **Date of Patent:** **** Jan. 24, 2023**

(54) **REAR BUMPER FOR A VEHICLE**
(71) Applicant: **Bayerische Motoren Werke Aktiengesellschaft, Munich (DE)**
(72) Inventor: **Jose Alberto Casas Pena, Munich (DE)**
(73) Assignee: **Bayerische Motoren Werke Aktiengesellschaft, Munich (DE)**

D871,279 S * 12/2019 Tonello D12/169
D882,467 S * 4/2020 Matsumoto D12/169
D882,468 S * 4/2020 Sperling D12/169
D890,651 S * 7/2020 Peplowski D12/169
D911,227 S 2/2021 Al Attar
D911,228 S * 2/2021 Guille D12/169
D911,230 S * 2/2021 Wietrzychowski D12/169
D911,889 S 3/2021 Sarremejean
D926,089 S * 7/2021 Zurian D12/169

(Continued)

(**) Term: **15 Years**
(21) Appl. No.: **29/786,701**
(22) Filed: **Jun. 2, 2021**

FOREIGN PATENT DOCUMENTS

WO WO DM/209878 2/2021
WO WO DM/214539 5/2021

Primary Examiner — Melody N Brown
(74) *Attorney, Agent, or Firm* — Crowell & Moring LLP

(30) **Foreign Application Priority Data**
Dec. 7, 2020 (DE) 402020101161.4
(51) **LOC (14) Cl.** **12-16**
(52) **U.S. Cl.**
USPC **D12/169**
(58) **Field of Classification Search**
USPC D12/169, 196, 86, 90-92, 163, 190, 98,
D12/164; 293/102, 113, 115, 117, 120,
293/193.11; 296/180.1, 180.2
CPC B60R 19/02; B60R 19/04; B62D 25/08
See application file for complete search history.

(57) **CLAIM**

The ornamental design for a rear bumper for a vehicle, as shown and described.

DESCRIPTION

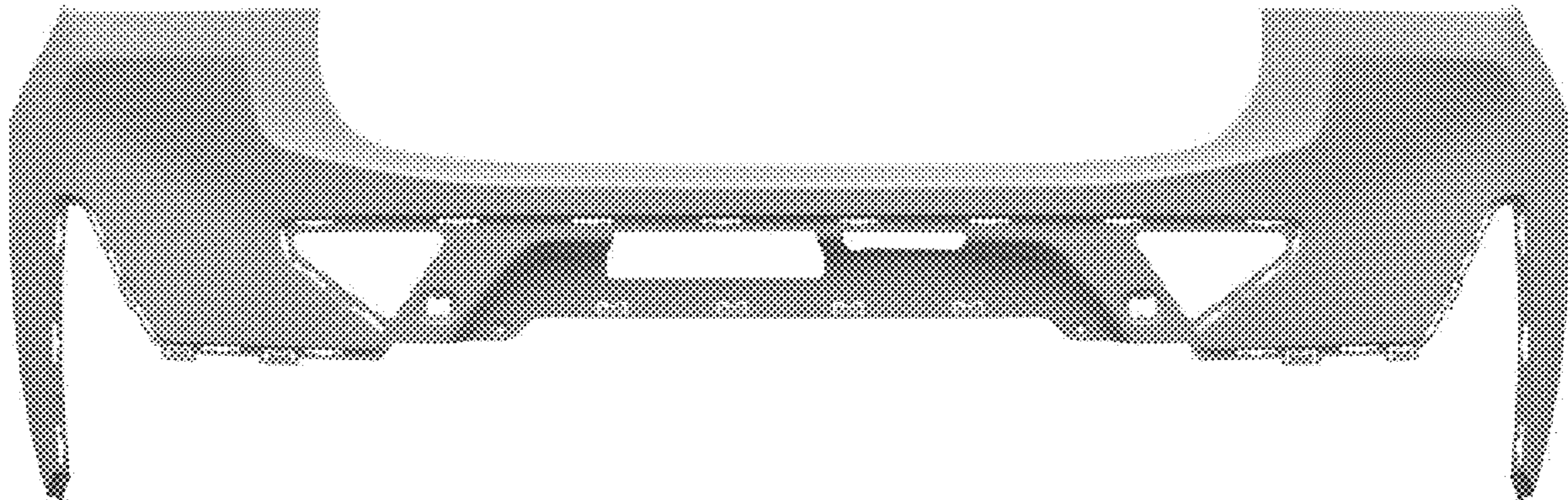
This application contains subject matter related to the following co-pending U.S. design patent application: Application Ser. No. 29/747,502, filed Aug. 24, 2020 and entitled "Rear Bumper for a Vehicle"; Application Ser. No. 29/747,503, filed Aug. 24, 2020 and entitled "Rear Bumper for a Vehicle"; and Application Ser. No. 29/786,700, filed herewith and entitled "Rear Bumper for a Vehicle".

FIG. 1 is a front view of a rear bumper for a vehicle according to the design;
FIG. 2 is a right, front perspective view thereof;
FIG. 3 is a left, bottom perspective view thereof;
FIG. 4 is a left side view thereof;
FIG. 5 is a right side view thereof;
FIG. 6 is a top view thereof;
FIG. 7 is a bottom view thereof; and,
FIG. 8 is a rear view thereof.

(56) **References Cited**
U.S. PATENT DOCUMENTS

D846,458 S * 4/2019 Mack D12/169
D853,905 S * 7/2019 Betancourt D12/169
D855,504 S * 8/2019 Lee D12/169
D856,223 S * 8/2019 Thogersen D12/169
D856,224 S * 8/2019 Nissl D12/169
D856,869 S * 8/2019 Schneider D12/169
D856,870 S * 8/2019 Nakajima D12/169
D866,418 S * 11/2019 Peplowski D12/169
D867,234 S * 11/2019 Peplowski D12/169
D871,266 S 12/2019 Ojea

1 Claim, 8 Drawing Sheets



(56)

References Cited

U.S. PATENT DOCUMENTS

D927,368	S	*	8/2021	Wietzychowski	D12/169
D927,373	S	*	8/2021	Lim	D12/169
D931,161	S	*	9/2021	Forrest	D12/169
D931,162	S	*	9/2021	Forrest	D12/169
D931,773	S	*	9/2021	Schell	D12/169
D938,867	S	*	12/2021	Becker	D12/169

* cited by examiner

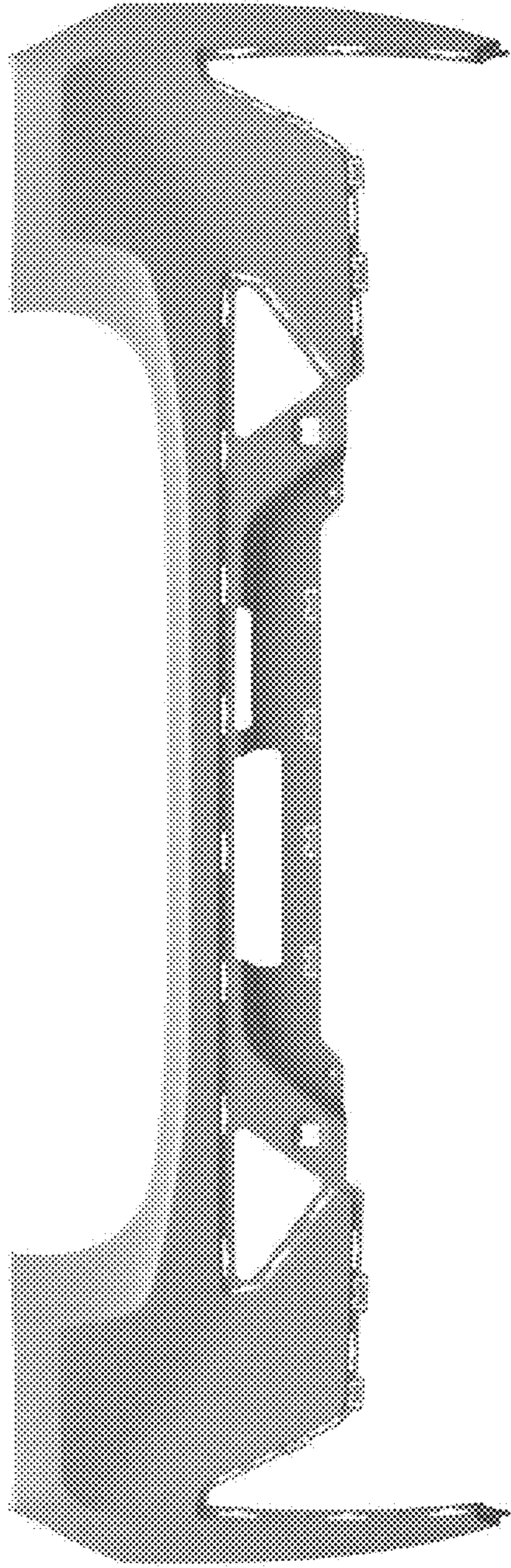


Fig. 1

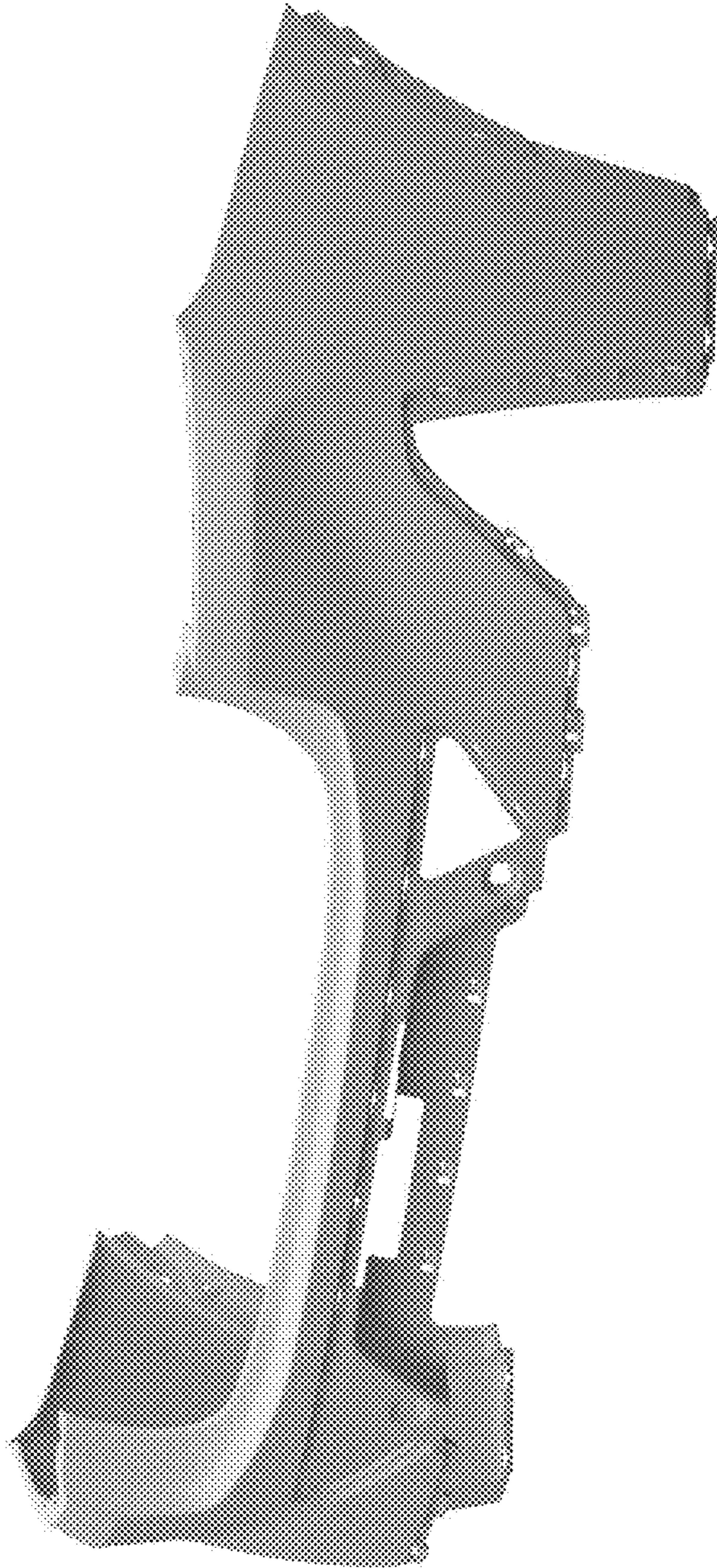


Fig. 2

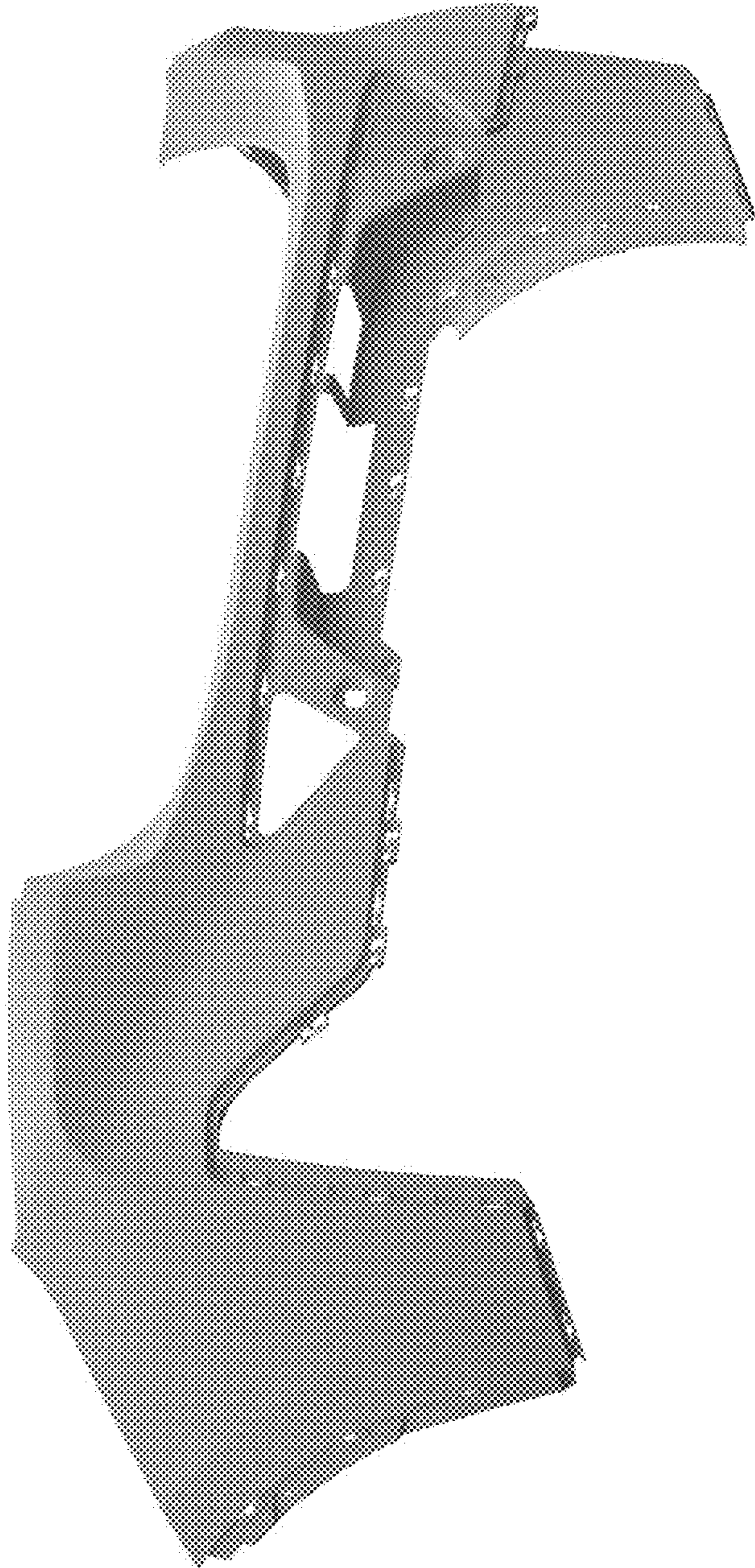


Fig. 3

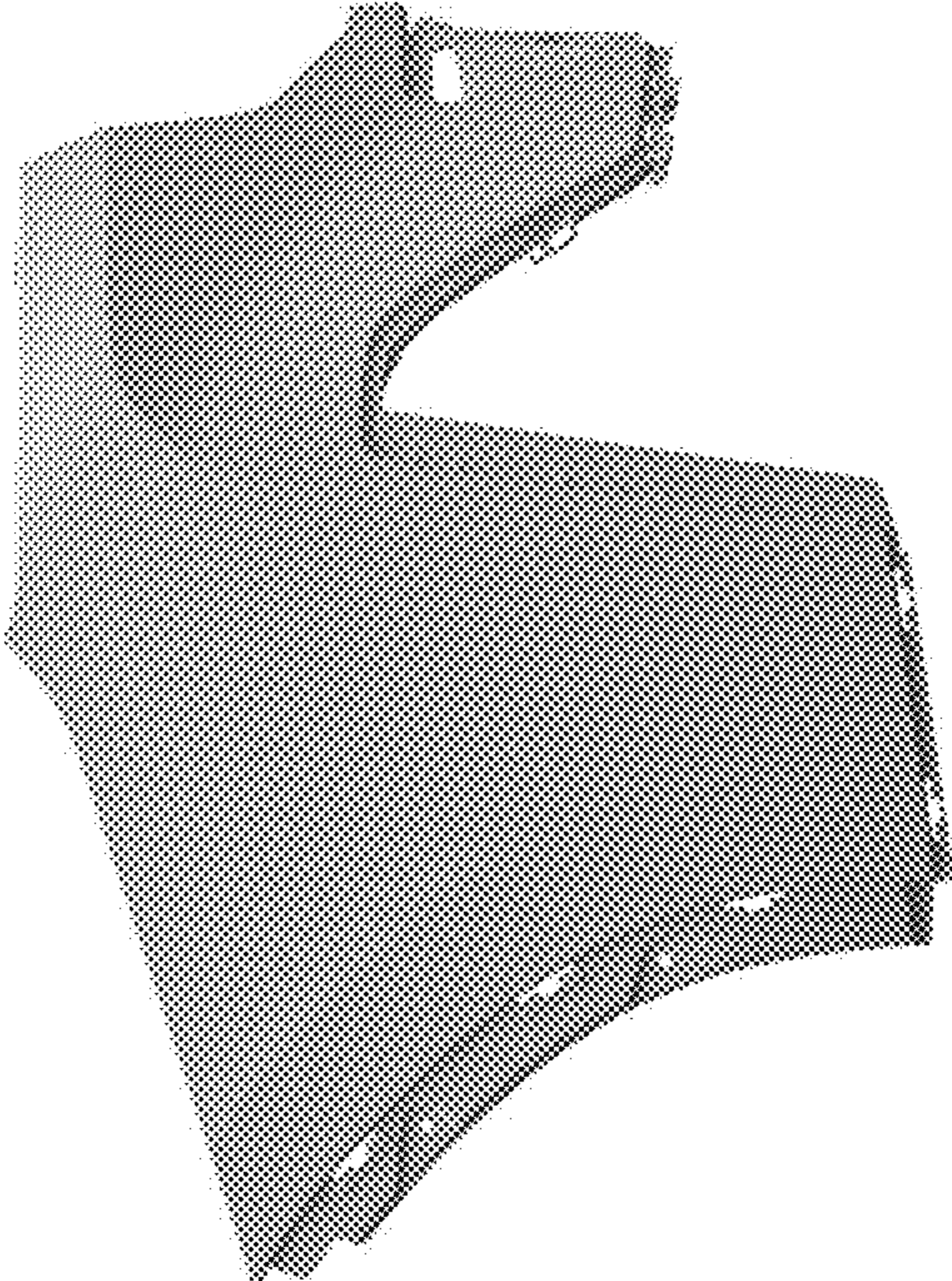


Fig. 4

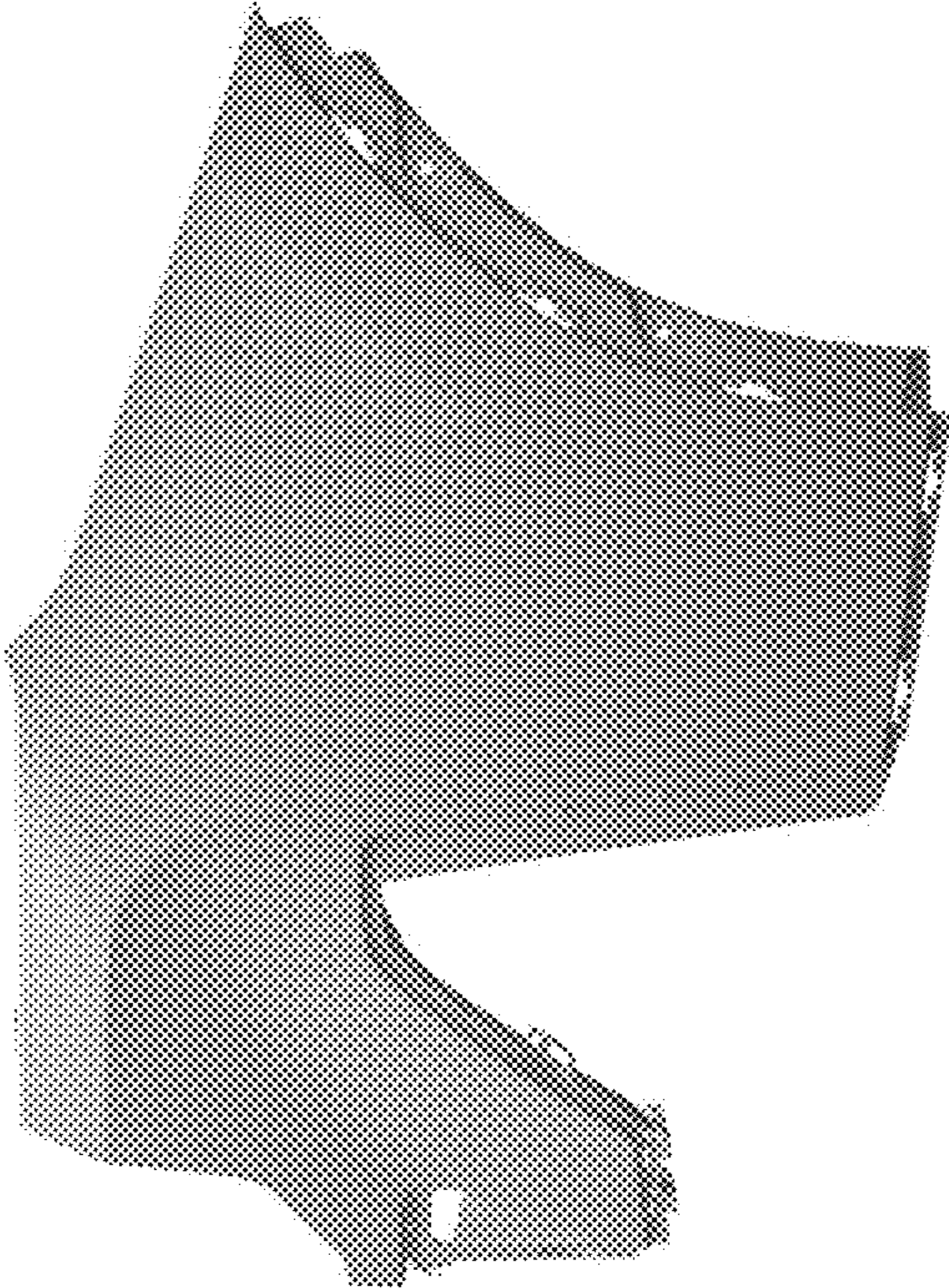


Fig. 5

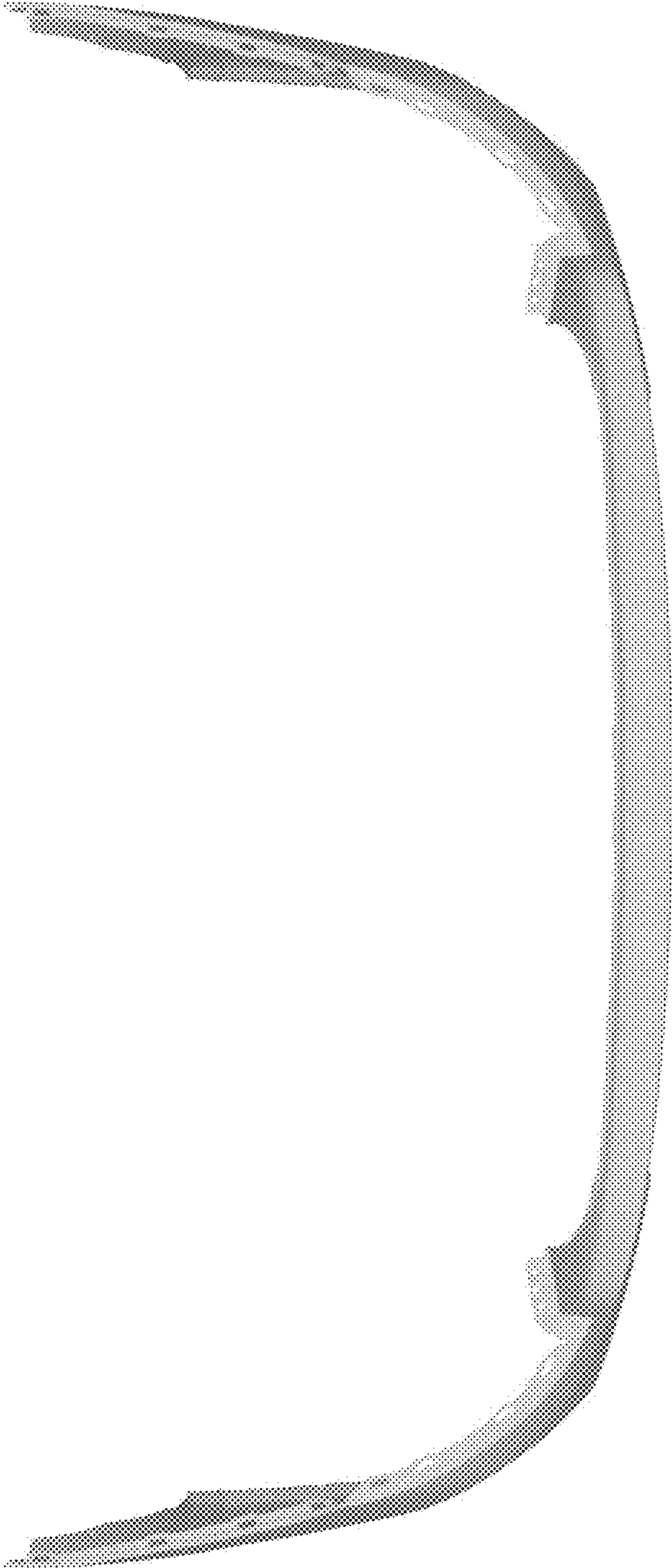


Fig. 6

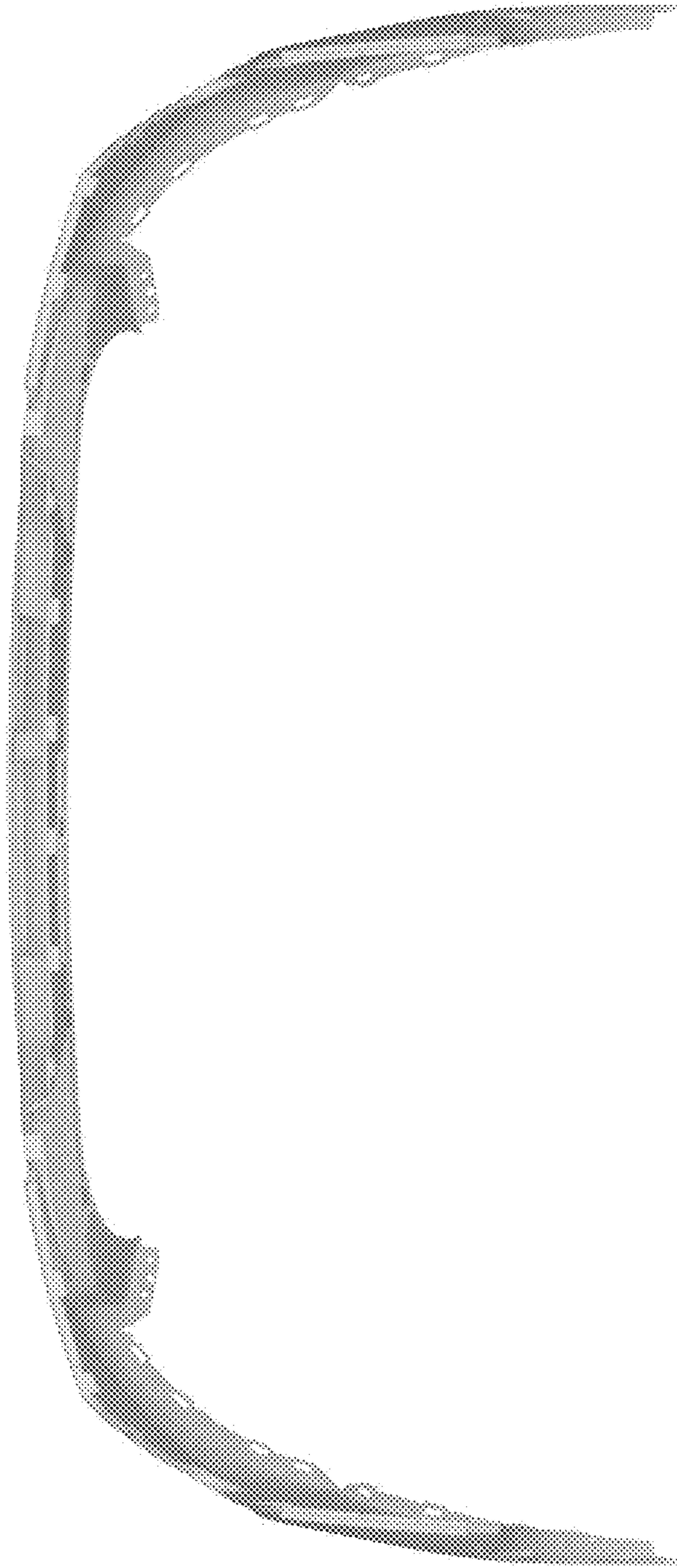


Fig. 7

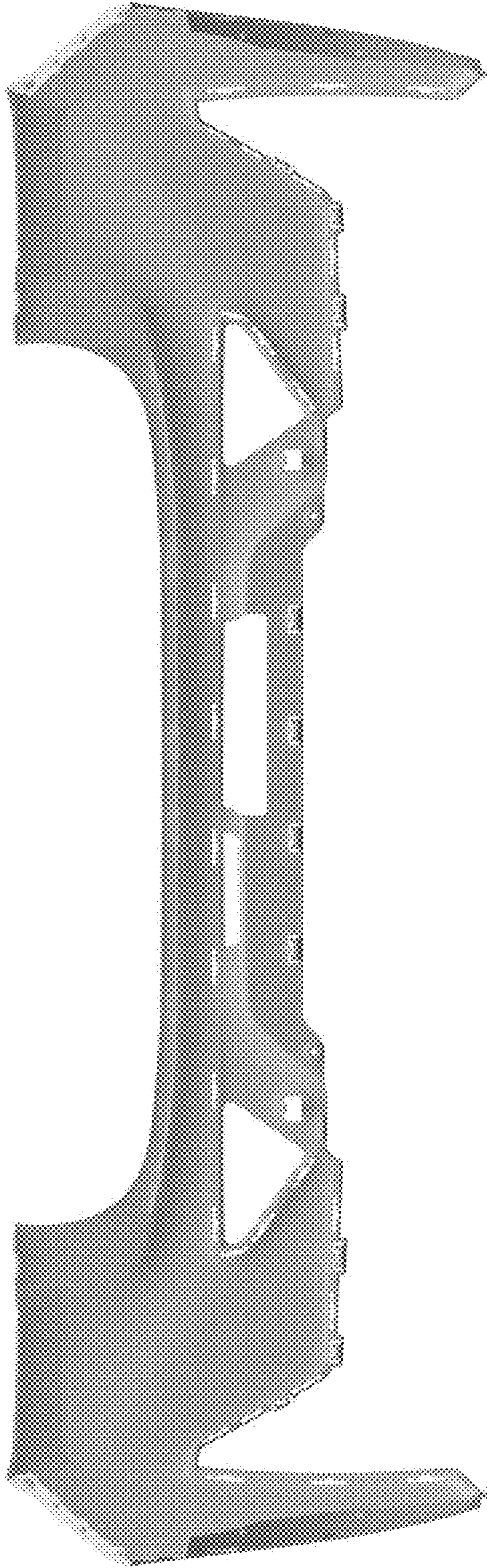


Fig. 8