

US00D976169S

(12) **United States Design Patent**
Kanasugi et al.

(10) **Patent No.:** **US D976,169 S**

(45) **Date of Patent:** **** Jan. 24, 2023**

(54) **FRONT BUMPER FOR AN AUTOMOBILE**

(71) Applicant: **TOYOTA JIDOSHA KABUSHIKI KAISHA**, Toyota (JP)

(72) Inventors: **Tsuneo Kanasugi**, Toyota (JP); **Takuya Ishibashi**, Nisshin (JP); **Stephan Jubit Rasmussen**, Cannes (FR)

(73) Assignee: **TOYOTA JIDOSHA KABUSHIKI KAISHA**, Toyota (JP)

(**) Term: **15 Years**

(21) Appl. No.: **29/785,838**

(22) Filed: **May 27, 2021**

(30) **Foreign Application Priority Data**

Nov. 30, 2020 (JP) 2020-025690 D

(51) **LOC (14) Cl.** **12-16**

(52) **U.S. Cl.**
USPC **D12/169**

(58) **Field of Classification Search**
USPC D12/169, 196, 86, 90-92, 163, 190, 98,
D12/164; 293/102, 113, 115, 117, 120,
293/193.11; 296/180.1, 180.2
CPC B60R 19/02; B60R 19/04; B62D 25/08
See application file for complete search history.

(56) **References Cited**

U.S. PATENT DOCUMENTS

D685,698 S * 7/2013 Takei D12/164
D932,389 S * 10/2021 Hayashi D12/169
D935,957 S * 11/2021 Isogai D12/169
D935,958 S * 11/2021 Isogai D12/169

D938,319 S * 12/2021 Iwanaga D12/169
D939,402 S * 12/2021 Kushima D12/169
D939,403 S * 12/2021 Matsumoto D12/169
D939,404 S * 12/2021 Takeda D12/169
D939,405 S * 12/2021 Kobayashi D12/169
D958,023 S * 7/2022 Nakagawa D12/169

OTHER PUBLICATIONS

netcarshow.com, Lexus NX (2018), <https://www.netcarshow.com/lexus/2018-nx/>, available as early as Dec. 31, 2018.
netcarshow.com, BMW X3 (2018), <https://www.netcarshow.com/bmw/2018-x3/>, available as early as Dec. 31, 2018.
netcarshow.com, Audi Q5 (2017), <https://www.netcarshow.com/audi/2017-q5/>, available as early as Dec. 31, 2017.

* cited by examiner

Primary Examiner — Melody N Brown

(74) *Attorney, Agent, or Firm* — Saidman DesignLaw Group, LLC

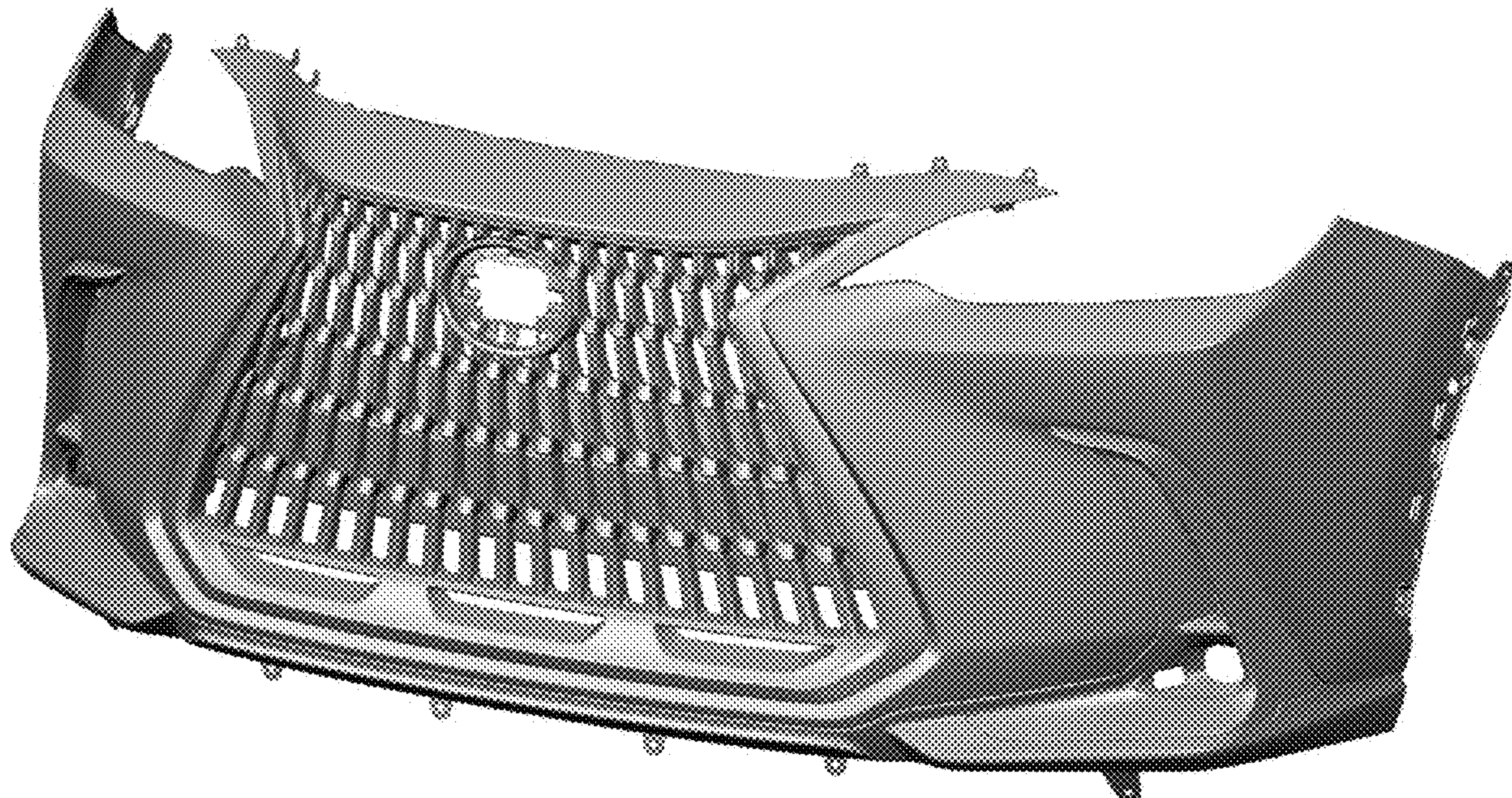
(57) **CLAIM**

The ornamental design for a front bumper for an automobile, as shown and described.

DESCRIPTION

FIG. 1 is a perspective view of a front bumper for an automobile showing our new design; FIG. 2 is a front view thereof; FIG. 3 is a rear view thereof; FIG. 4 is a right side view thereof; FIG. 5 is a left side view thereof; FIG. 6 is a top view thereof; and, FIG. 7 is a bottom view thereof.

1 Claim, 7 Drawing Sheets



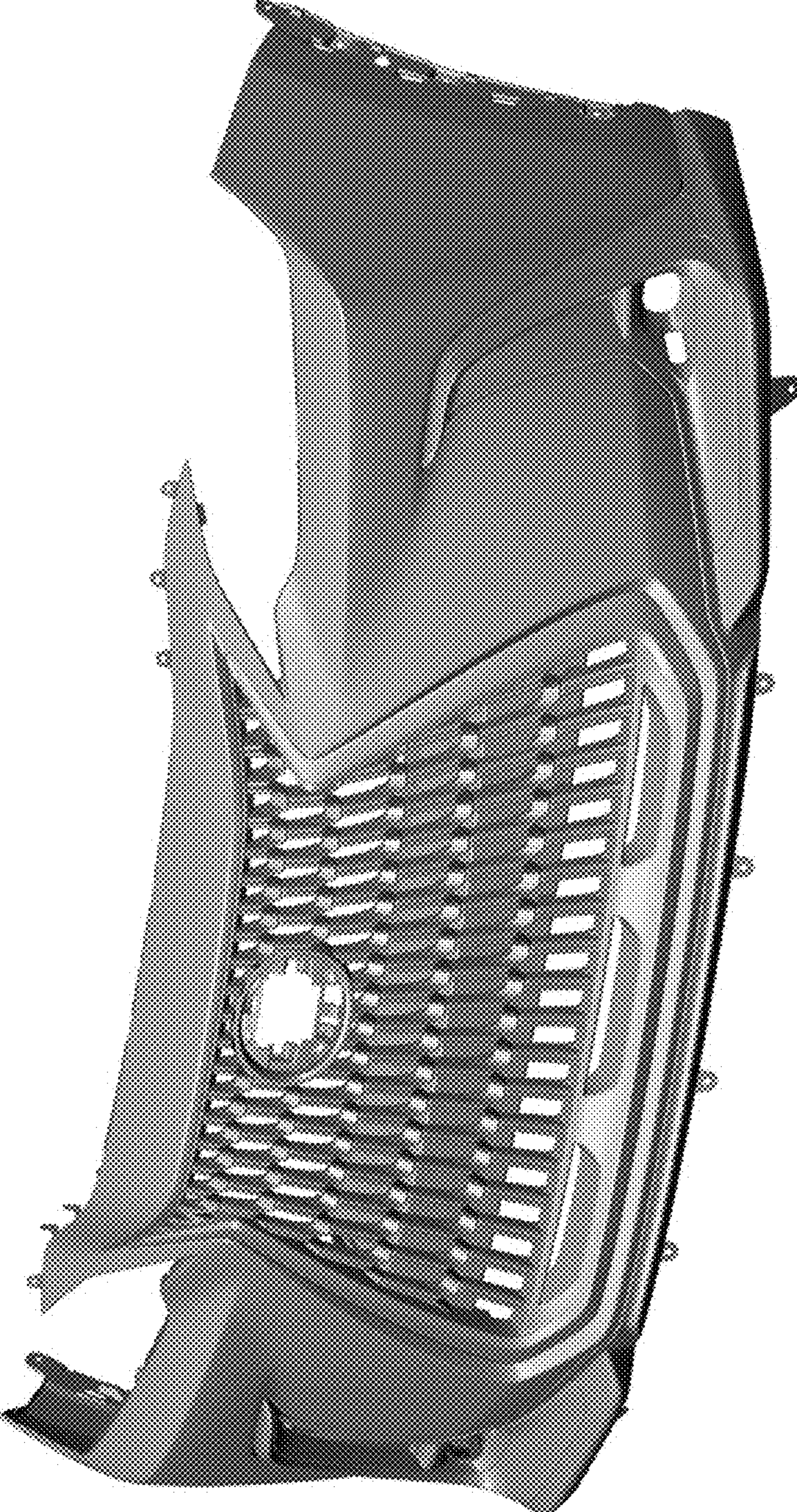


FIG. 1

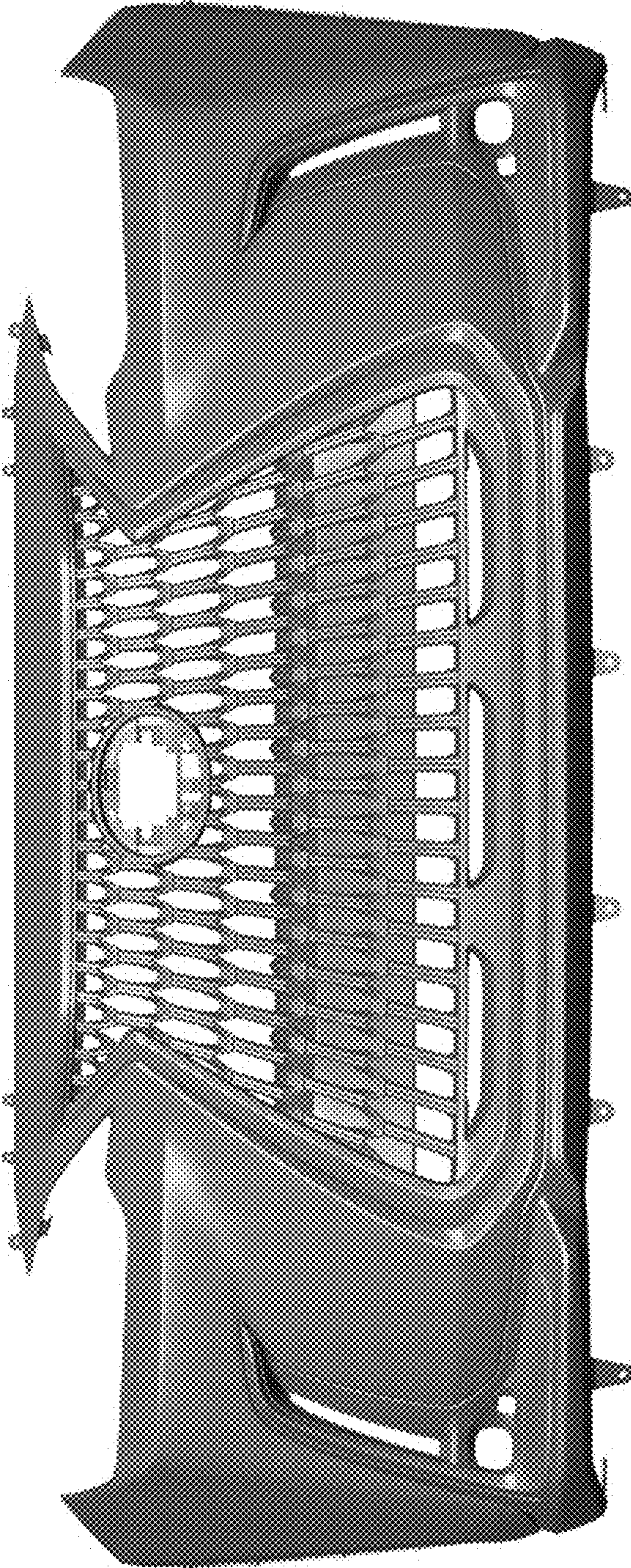


FIG. 2

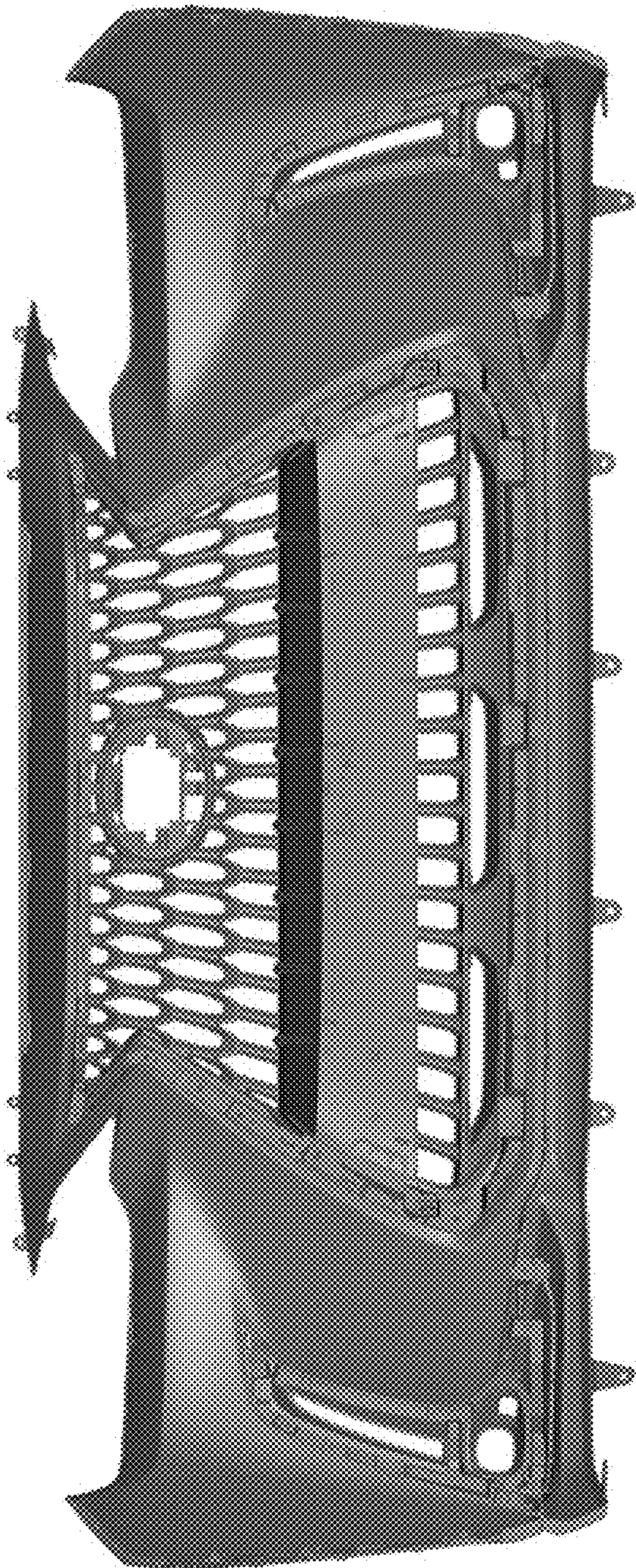


FIG. 3

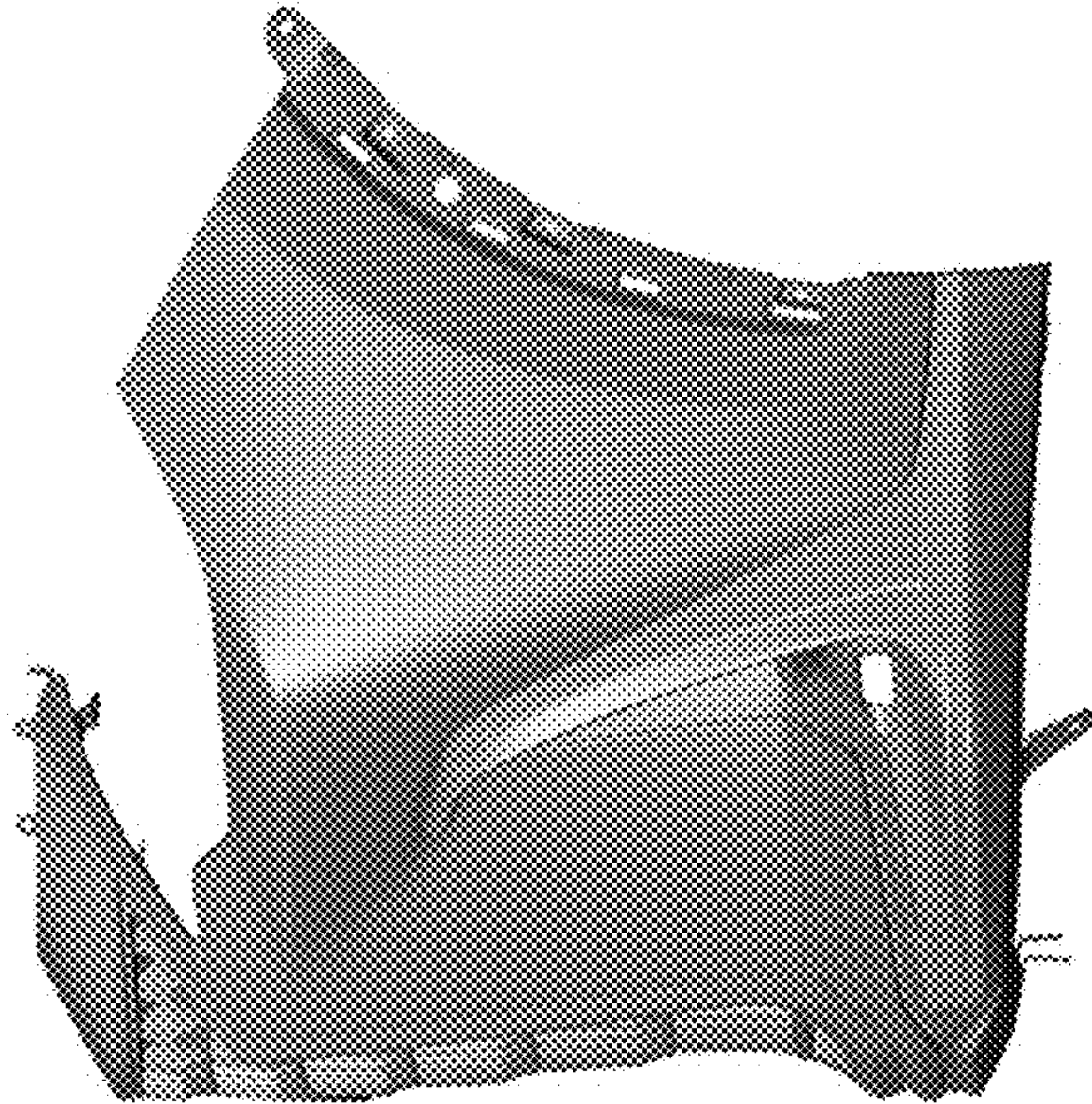


FIG. 4

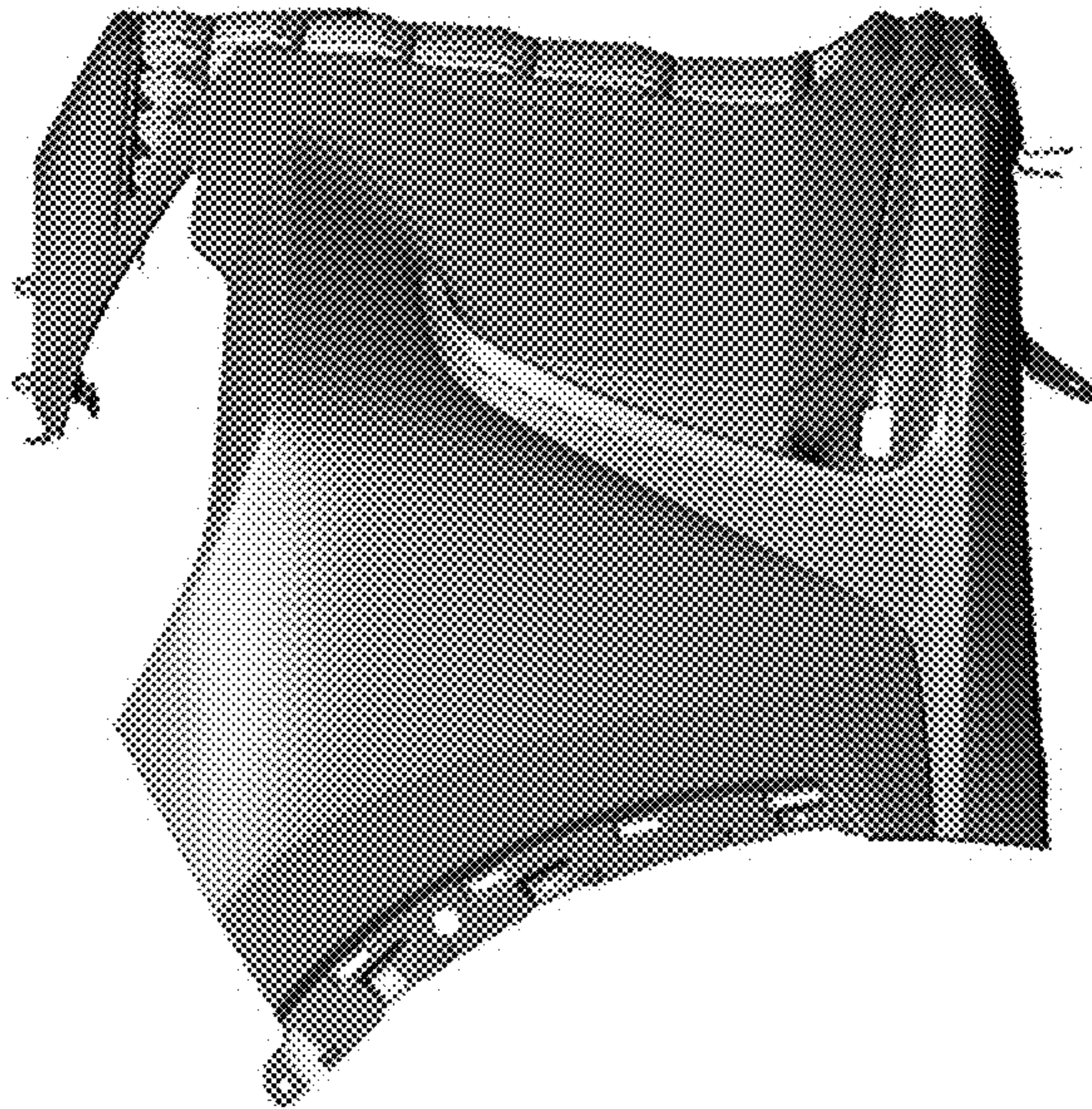


FIG. 5

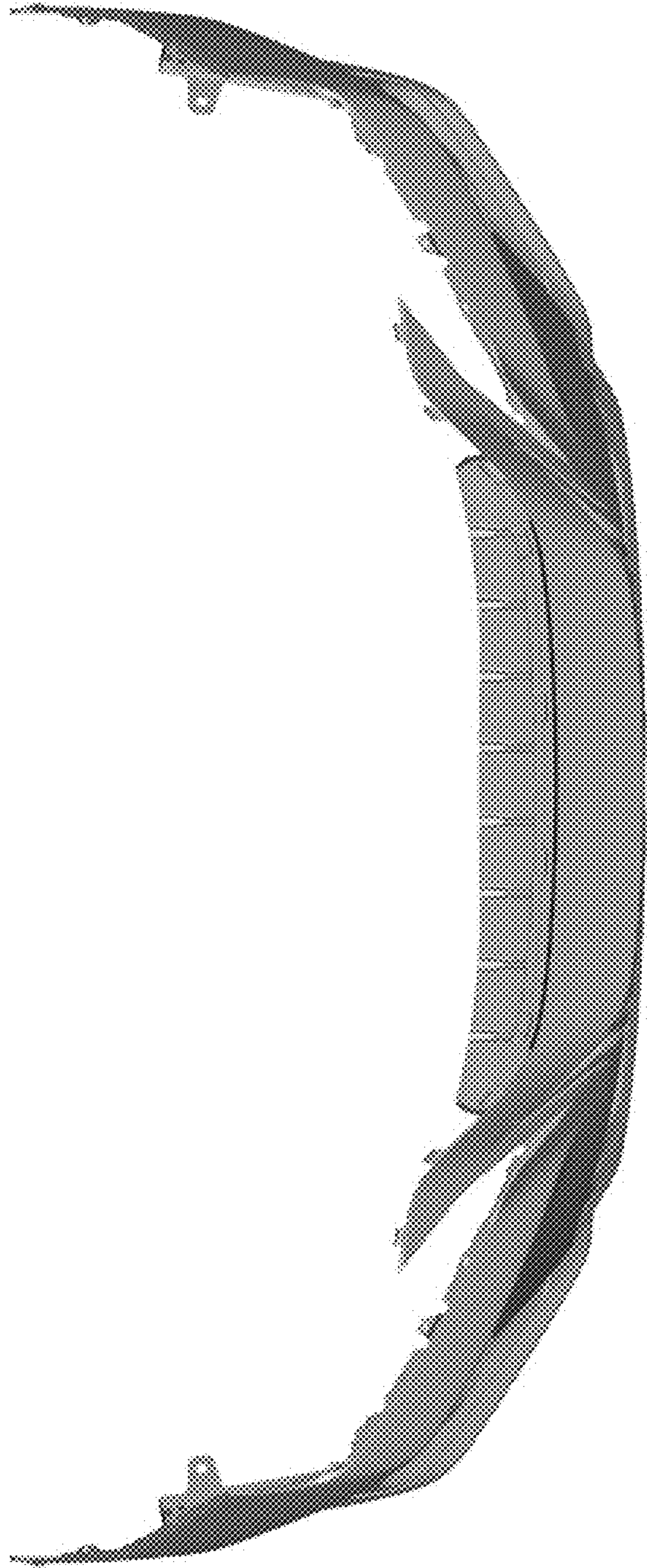


FIG. 6

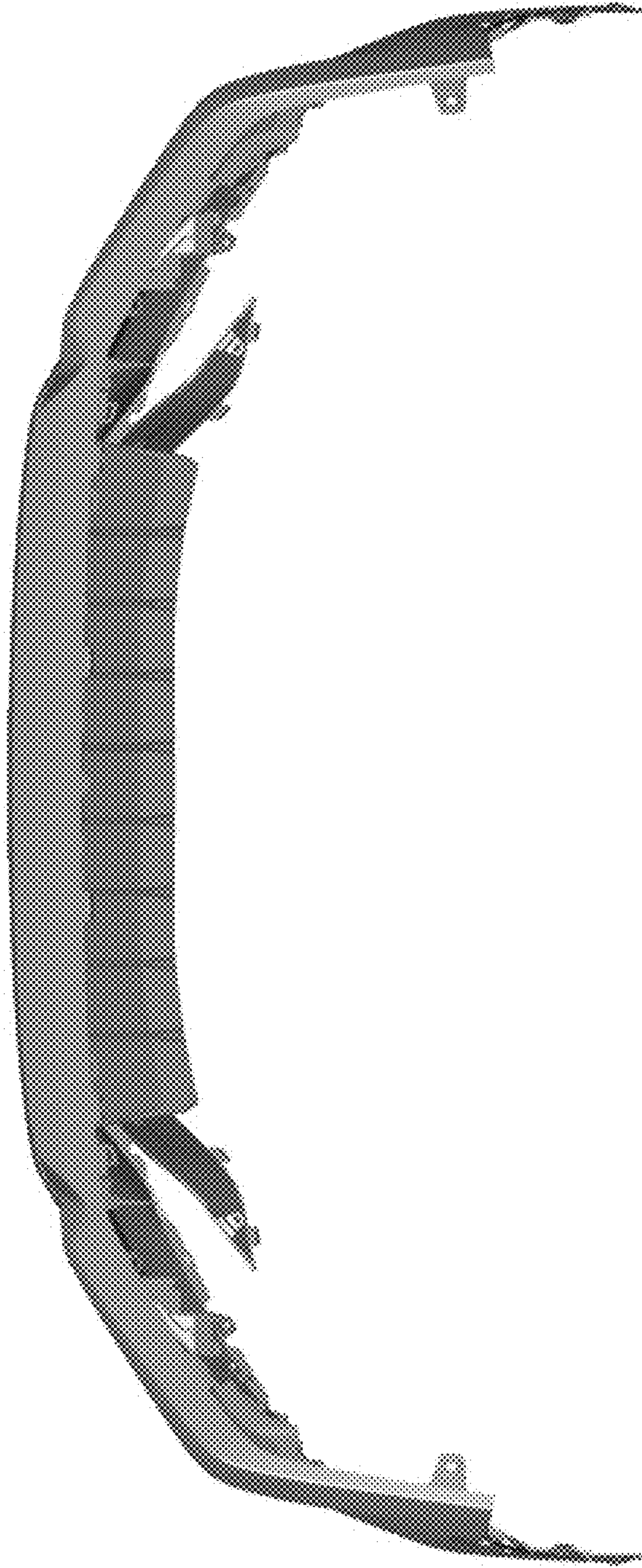


FIG. 7