



US00D976167S

(12) **United States Design Patent** (10) **Patent No.:** **US D976,167 S**
Frascella et al. (45) **Date of Patent:** **** Jan. 24, 2023**

(54) **VEHICLE GRILLE**

- (71) Applicant: **Jaguar Land Rover Limited**, Whitley Coventry (GB)
- (72) Inventors: **Massimo Frascella**, Whitley Coventry (GB); **Constantino Segui Gilabert**, Whitley Coventry (GB); **Julian Wiltshire**, Whitley Coventry (GB)
- (73) Assignee: **Jaguar Land Rover Limited**, Whitley Coventry (GB)

(**) Term: **15 Years**

(21) Appl. No.: **29/786,999**

(22) Filed: **Jun. 3, 2021**

(30) **Foreign Application Priority Data**

Dec. 3, 2020 (EM) 008307995-0002

(51) **LOC (14) Cl.** **12-16**

(52) **U.S. Cl.**
USPC **D12/163**

(58) **Field of Classification Search**
USPC D12/86, 90, 91, 92, 98, 163, 164, 169, D12/196
CPC B60R 19/52; B60K 11/08; B62D 25/08; B62B 9/16
See application file for complete search history.

(56) **References Cited**

U.S. PATENT DOCUMENTS

- D922,267 S * 6/2021 Kaoud D12/163
- D929,274 S * 8/2021 Piaskowski D12/163
- D936,530 S * 11/2021 Kim D12/163
- D939,390 S * 12/2021 Hatton D12/163
- D940,606 S * 1/2022 Egan D12/163
- D941,194 S * 1/2022 Grewer D12/163
- D944,136 S * 2/2022 De Leon D12/163

(Continued)

OTHER PUBLICATIONS

Vehicle Grilles. (Design—© Questel) orbit.com. [Online PDF compilation of references] 43 pgs. Print Dates Range Nov. 21, 2021-Nov. 23, 2021 Retrieved [Aug. 2, 2022].*

(Continued)

Primary Examiner — George D. Kirschbaum

Assistant Examiner — Suzanne E Tisdell

(74) *Attorney, Agent, or Firm* — Wood Herron & Evans LLP

(57) **CLAIM**

The ornamental design for a vehicle grille, as shown and described.

DESCRIPTION

FIG. 1 is a front left top perspective view of a vehicle grille according to the present invention.

FIG. 2 is a front left perspective view of the vehicle grille shown in FIG. 1.

FIG. 3 is a rear right top perspective view thereof.

FIG. 4 is a rear right perspective view thereof.

FIG. 5 is a front view thereof.

FIG. 6 is a rear view thereof.

FIG. 7 is a left side view thereof.

FIG. 8 is a right side view thereof.

FIG. 9 is a top view thereof.

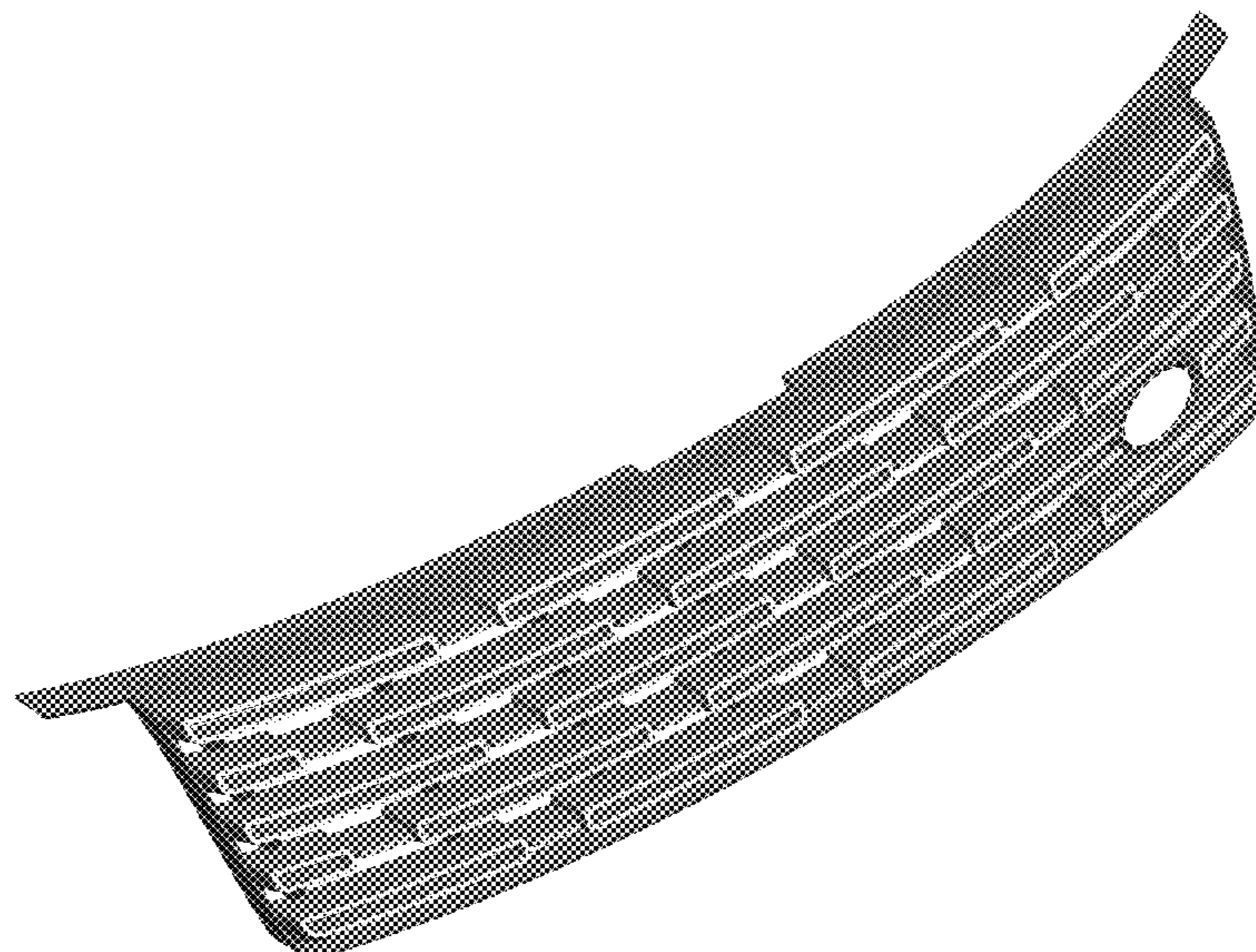
FIG. 10 is a bottom view thereof; and,

FIG. 11 is another front view of the vehicle grille shown in FIGS. 1-10, but with the grille mounted on a vehicle, and with the rest of the vehicle shown in broken lines and unclaimed.

In FIGS. 1, 2, 4, 5, 6, 8, and 9, the broken lines define an unclaimed boundary that represents the location of a vehicle badge.

The broken line showing in FIG. 11 represents environmental subject matter that forms no part of the claim.

1 Claim, 11 Drawing Sheets



(56)

References Cited

U.S. PATENT DOCUMENTS

D951,154	S	*	5/2022	Kaoud	D12/163
D951,828	S	*	5/2022	Kaoud	D12/163
D952,524	S	*	5/2022	Wheel	D12/163
D953,211	S	*	5/2022	Becker	D12/163
D953,212	S	*	5/2022	Beckies	D12/163
D956,634	S	*	7/2022	Harada	D12/163

OTHER PUBLICATIONS

Banks, Nargess. Driven, The All-New Range Rover Velar Premium SUV. Aug. 12, 2017. Forbes, <https://www.forbes.com/sites/nargessbanks/2017/08/12/driven-the-all-new-range-rover-velar-premium-suv/?sh=7ee51a7e2629>.*

Kew, Ollie. The new Land Rover Discovery still has a wonky bum. Nov. 9, 2020. Top Gear. <https://www.topgear.com/car-news/suvs/new-land-rover-discovery-still-has-wonky-bum>.*

Stoklosa, Alexander. 2021 Land Rover Discovery First Look. Nov. 10, 2020. Motortrend. <https://www.motortrend.com/news/2021-land-rover-discovery-first-look-review-pricing/>.*

* cited by examiner

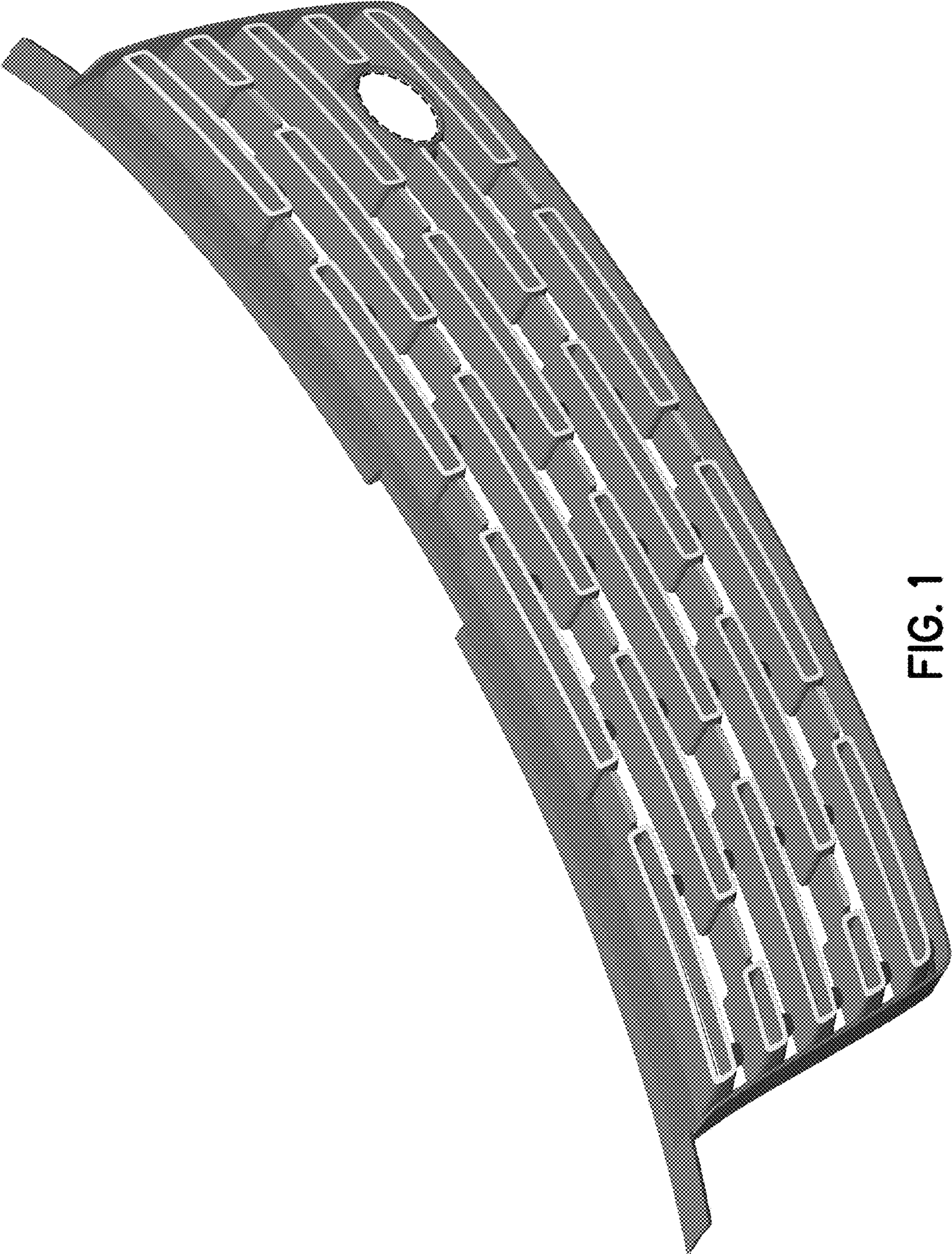


FIG. 1

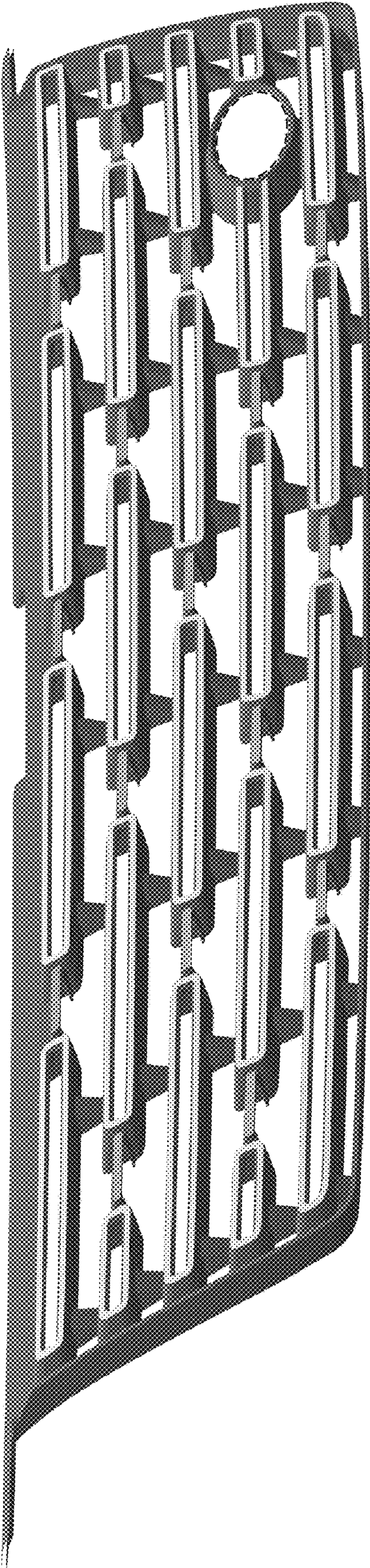


FIG. 2

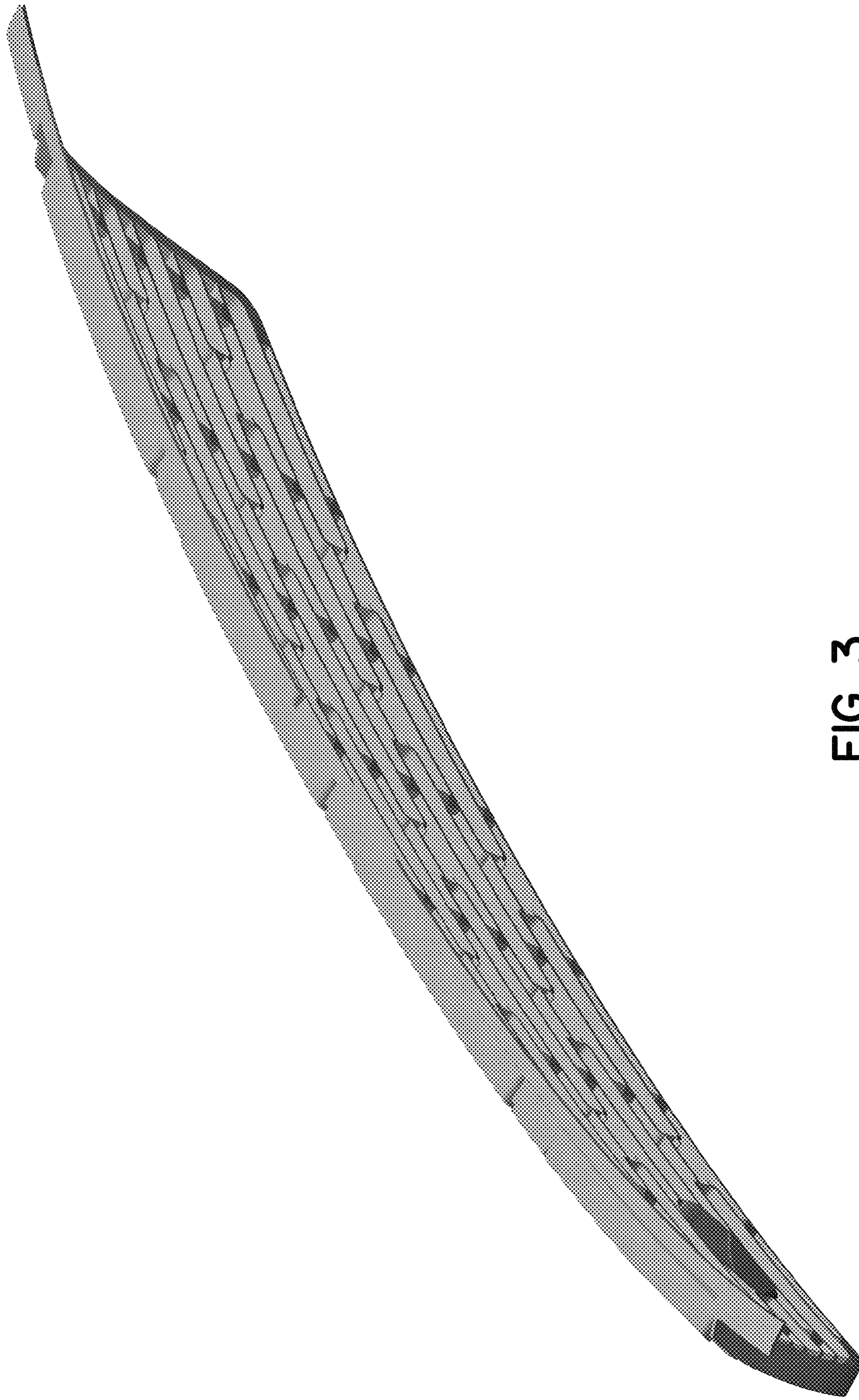


FIG. 3

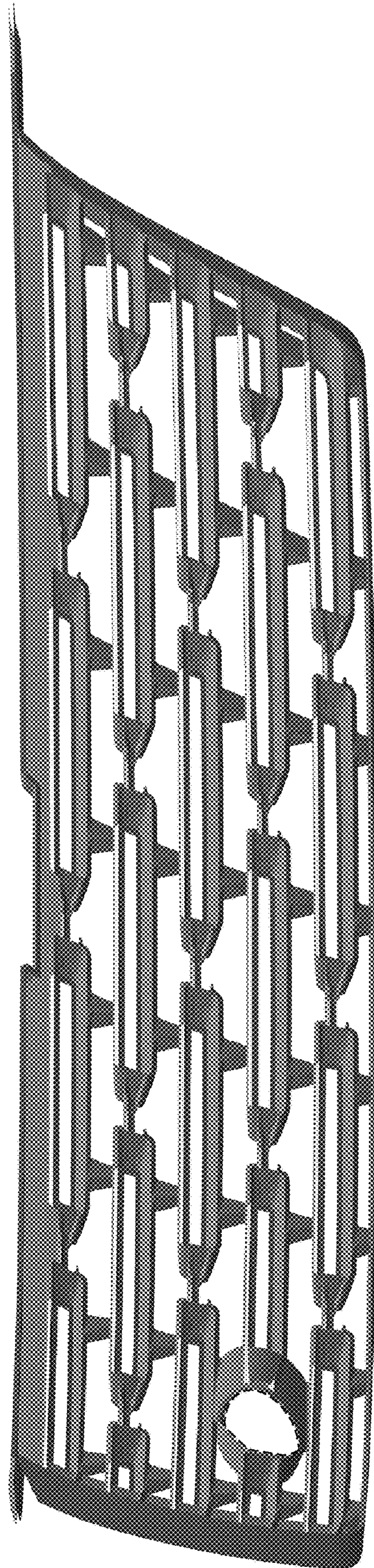


FIG. 4

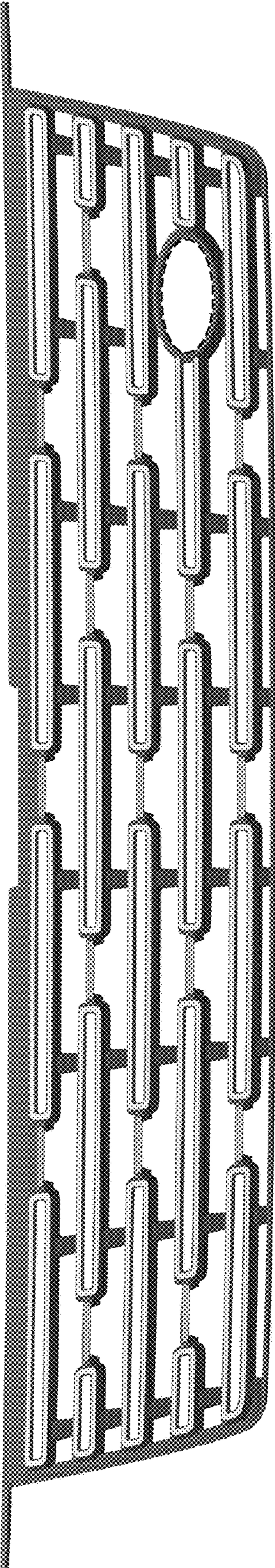


FIG. 5

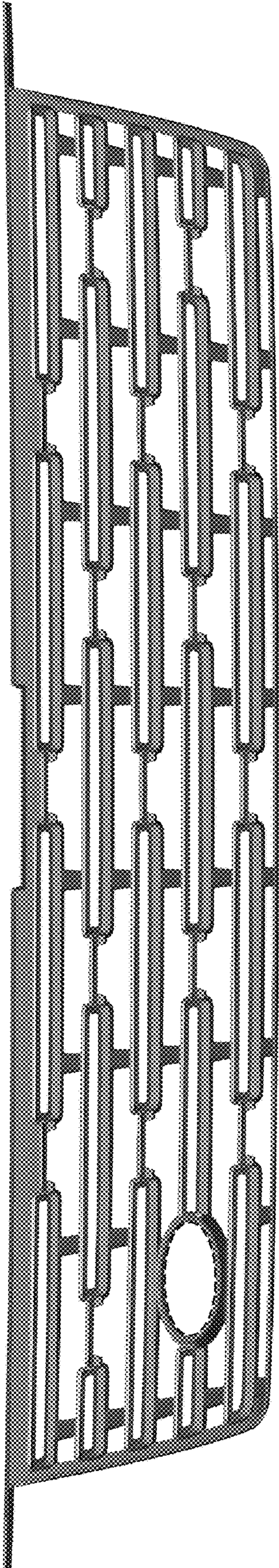


FIG. 6

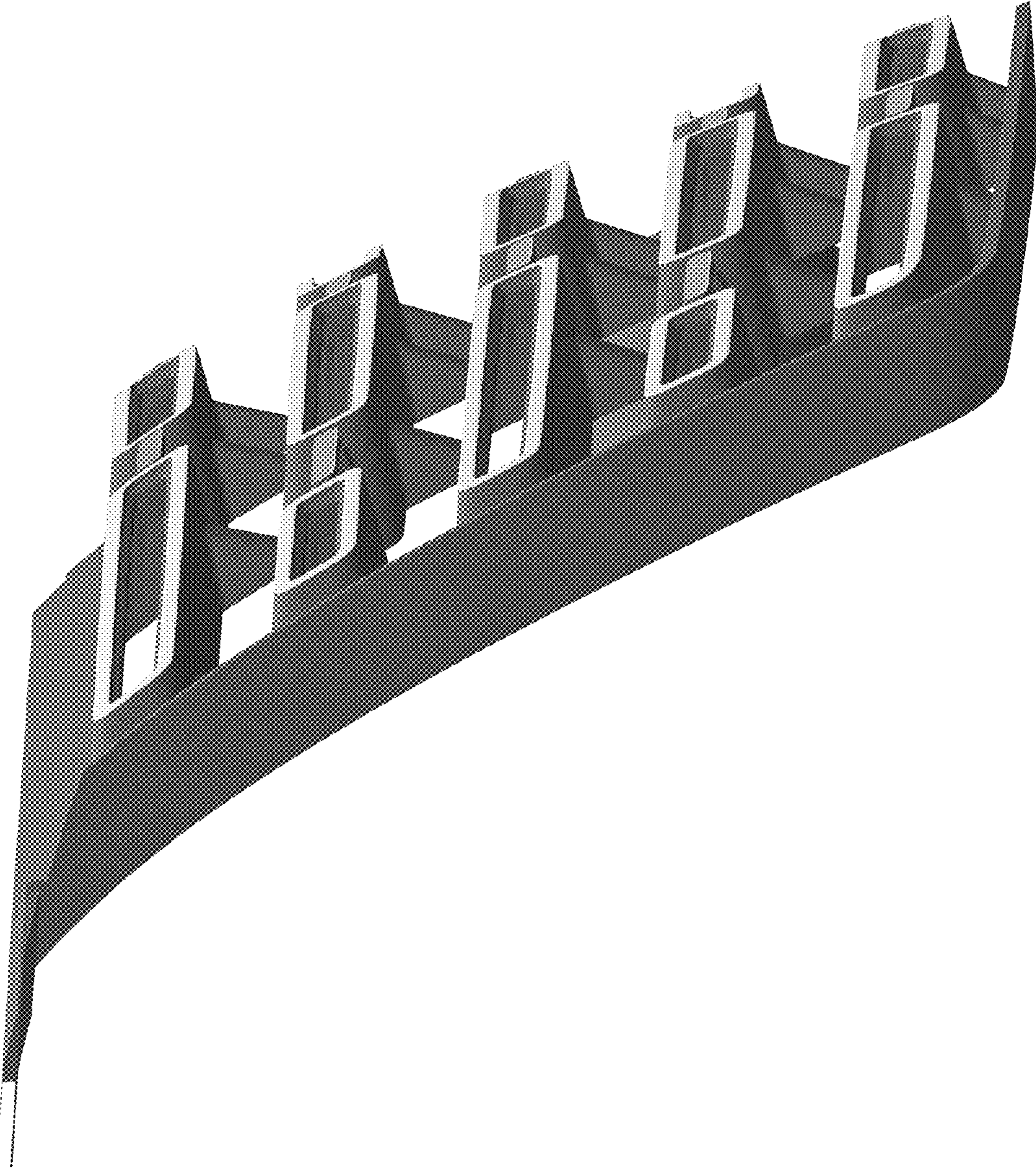


FIG. 7

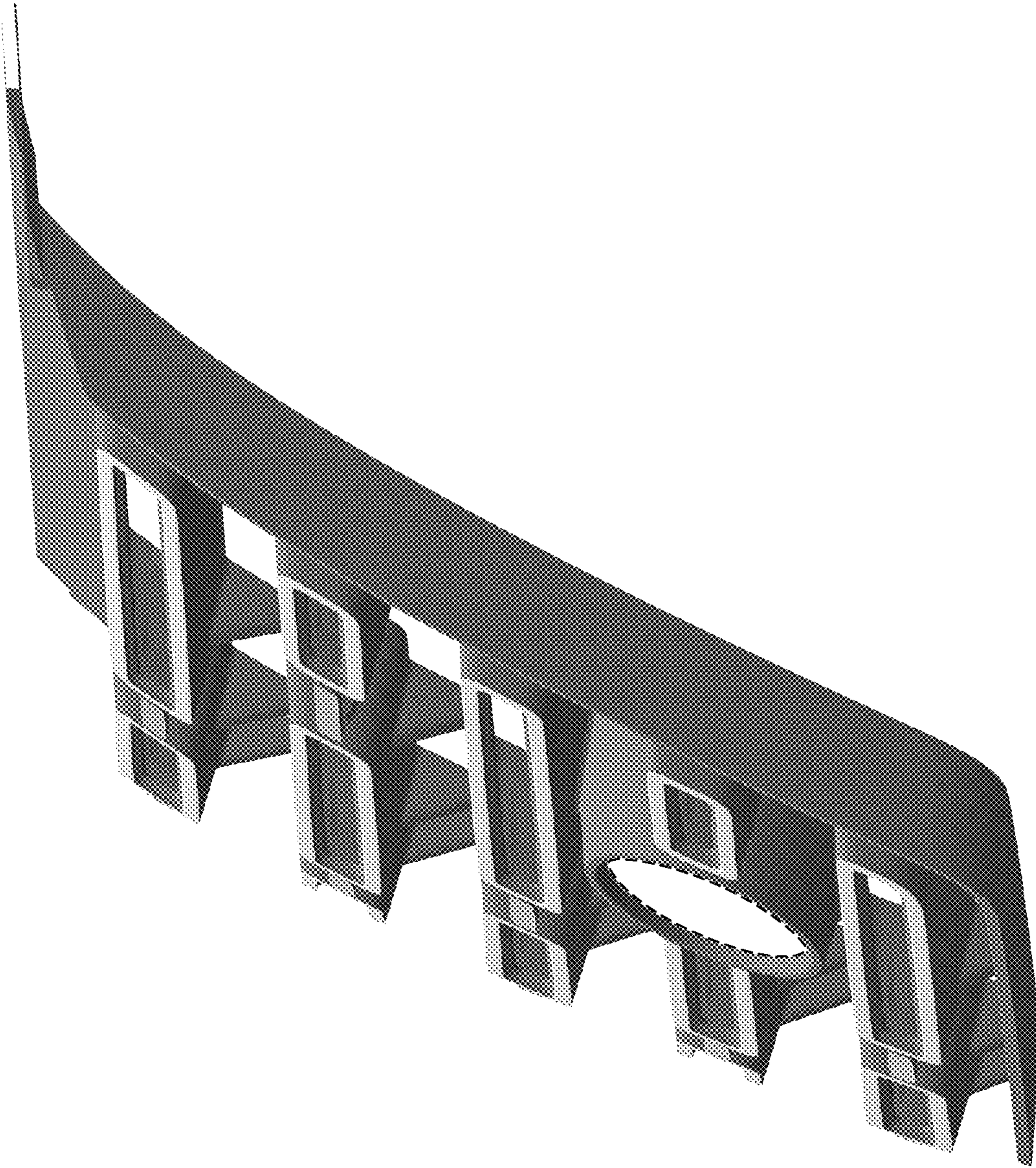


FIG. 8

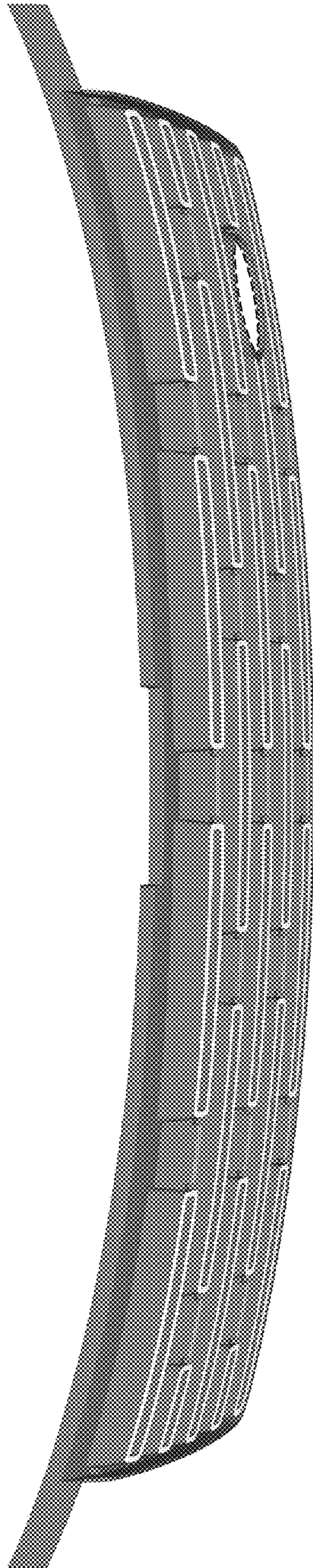


FIG. 9

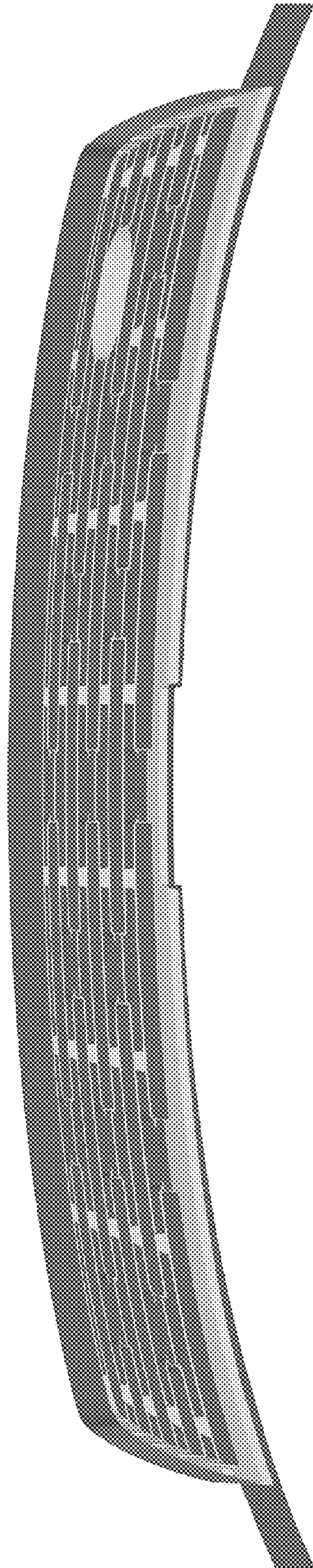


FIG. 10

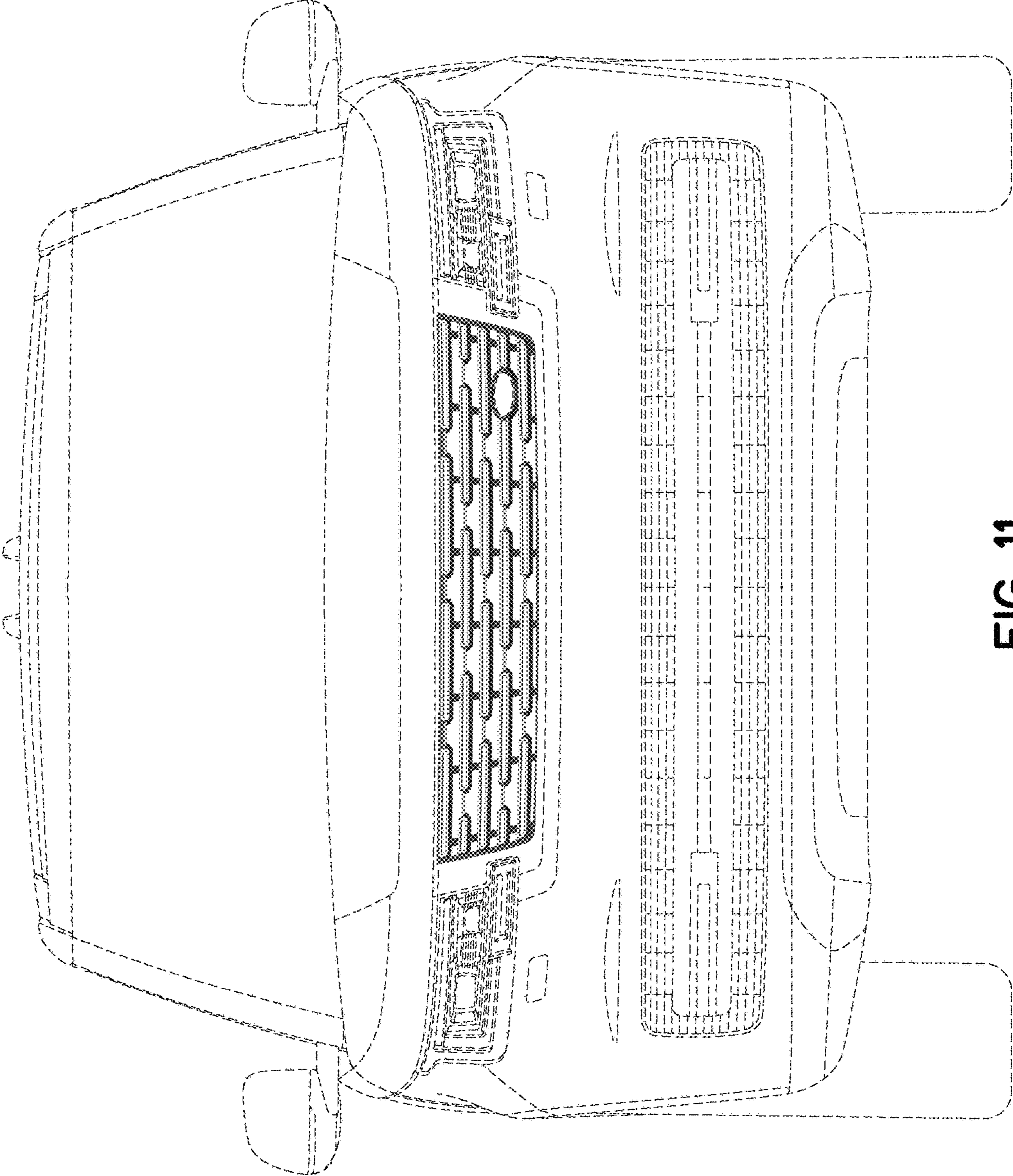


FIG. 11