



US00D976165S

(12) **United States Design Patent** (10) **Patent No.:** **US D976,165 S**
Hjorten et al. (45) **Date of Patent:** **** Jan. 24, 2023**

(54) **HOOD CROWN WITH VEHICLE GRILLE**

D528,050 S 9/2006 McCuller et al.
D530,247 S * 10/2006 Angelo D12/163
D531,555 S 11/2006 Hooper
(Continued)

(71) Applicant: **PACCAR Inc**, Bellevue, WA (US)

(72) Inventors: **Erik Hjorten**, Bellevue, WA (US);
Peter Vurpillat, Bellevue, WA (US);
Rebecca Kern, Bellevue, WA (US);
Jonathan Duncan, Bellevue, WA (US);
Scott Temple, Bellevue, WA (US);
Amanda Koh, Bellevue, WA (US)

(73) Assignee: **PACCAR Inc**, Bellevue, WA (US)

(**) Term: **15 Years**

(21) Appl. No.: **29/760,080**

(22) Filed: **Nov. 29, 2020**

(51) **LOC (14) Cl.** **12-16**

(52) **U.S. Cl.**

USPC **D12/163**

(58) **Field of Classification Search**

USPC D12/82, 85, 86, 87, 88, 89, 90, 91, 92,
D12/93, 96, 97, 98, 99, 163, 164, 165,
D12/166, 167, 169, 170, 171, 172, 173,
D12/181, 184, 185, 190, 196, 216, 223,
D12/400; D21/533, 548, 552, 561;
D15/31

CPC B60R 19/00; B60R 19/02; B60R 19/04;
B60R 19/18; B60R 19/24; B60R 19/26;
B60R 19/52; B60R 19/56; B60R
2019/525; B60R 2019/527; B60K 11/08;
B60K 11/085; B62D 25/08; F01P 7/10

See application file for complete search history.

(56) **References Cited**

U.S. PATENT DOCUMENTS

D311,711 S 10/1990 Marlowe et al.
D403,636 S 1/1999 Meryman et al.
D405,037 S * 2/1999 Meryman D12/163
D412,874 S * 8/1999 Meryman D12/163
D425,835 S 5/2000 Cook et al.

OTHER PUBLICATIONS

Kenworth T680, Published Mar. 29, 2018 [online], [retrieved on
Dec. 27, 2021], Retrieved from the Internet: <https://www.youtube.com/watch?v=rRY8HzJVO4E> (Year: 2018).*

(Continued)

Primary Examiner — Cary M Robinson

Assistant Examiner — Adam C Mager

(74) *Attorney, Agent, or Firm* — Seed IP Law Group LLP

(57) **CLAIM**

The ornamental design for a hood crown with vehicle grille,
as shown and described.

DESCRIPTION

FIG. 1 is a perspective view of a hood crown with vehicle grille showing our new design.

FIG. 2 is a front elevational view thereof.

FIG. 3 is an enlarged detail view thereof.

FIG. 4 is a rear elevational view thereof.

FIG. 5 is a left side view thereof.

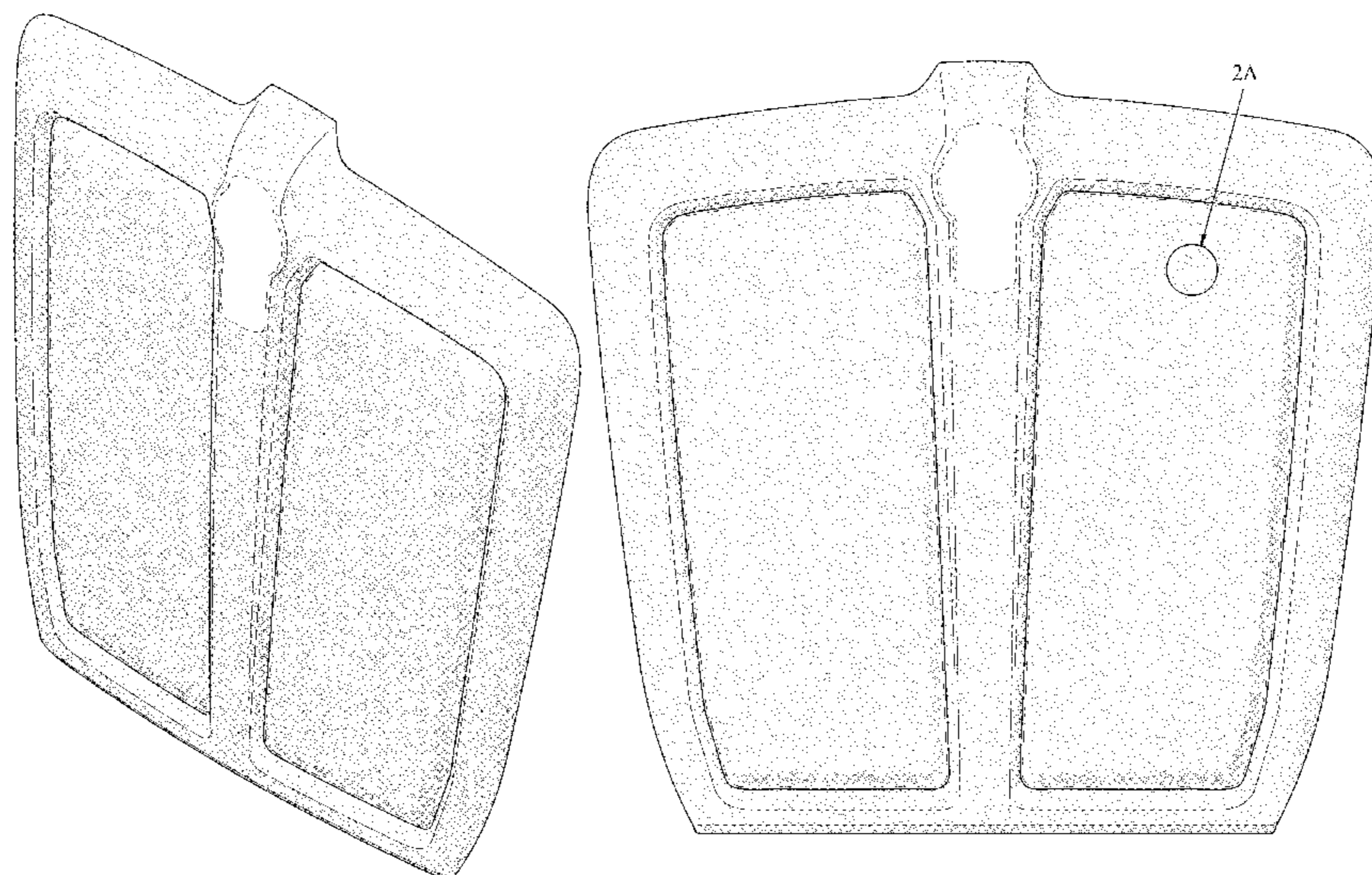
FIG. 6 is a right side view thereof.

FIG. 7 is a top plan view thereof; and,

FIG. 8 is a bottom plan view thereof.

Stippling in the drawings represent the three-dimensional contours of the design, and is not intended to indicate surface decoration. The broken lines shown in the drawings depict portions of the hood crown with vehicle grille that form no part of the claimed design. The dash-dot broken lines in FIGS. 1 and 2 provide a boundary within which the depicted surface includes a mesh pattern, such as the mesh pattern depicted in FIG. 3, formed in the illustrated shape conveyed by the stippling.

1 Claim, 8 Drawing Sheets



(56)

References Cited

U.S. PATENT DOCUMENTS

D551,133 S	*	9/2007	Angelo	D12/163
D551,599 S		9/2007	Simons et al.		
D551,600 S		9/2007	Simons et al.		
D601,932 S		10/2009	Rosen et al.		
D605,986 S		12/2009	Raghavendran et al.		
D631,800 S	*	2/2011	Peltola	D12/163
D632,224 S	*	2/2011	Peltola	D12/96
D647,827 S		11/2011	Medina et al.		
D647,828 S		11/2011	Medina et al.		
D702,615 S		4/2014	Conway et al.		
D708,989 S	*	7/2014	Peltola	D12/163
D709,410 S		7/2014	Conway et al.		
D710,765 S		8/2014	Conway et al.		
D770,335 S		11/2016	Walterscheid et al.		
D835,011 S	*	12/2018	Peltola	D12/163
D869,351 S	*	12/2019	Duncan	D12/163
D869,352 S	*	12/2019	Duncan	D12/163
D885,260 S	*	5/2020	Peltola	D12/163
D904,239 S	*	12/2020	Duncan	D12/163
D904,240 S		12/2020	Heilaneh et al.		
D904,241 S		12/2020	Heilaneh et al.		
D906,902 S	*	1/2021	Duncan	D12/163
D910,502 S	*	2/2021	Duncan	D12/163

OTHER PUBLICATIONS

Kenworth T680 Next Gen, Published Feb. 11, 2021 [online], [retrieved on Dec. 27, 2021], Retrieved from the Internet: <https://www.youtube.com/watch?v=pEif8wRNG2U> (Year: 2021).*

“T800,” Kenworth Truck Company, 2002, 32-page brochure.

“T800,” Kenworth Truck Company, 2003, 32-page brochure.

“T800,” Kenworth Truck Company, 2005, 28-page brochure.

“T800,” Kenworth Truck Company, 2009, 28-page brochure.

“T800B,” Kenworth Truck Company, 1993, 8-page brochure.

Peterbilt Motors Company, “The Working Class,” Sep. 1976, 6-page brochure.

“The World’s Best,” Kenworth Truck Company, 1992, 12-page brochure.

“W900,” Kenworth Truck Company, 1996, 7-page brochure.

“W900,” Kenworth Truck Company, 2002, 32-page brochure.

“W900,” Kenworth Truck Company, 2005, 28-page brochure.

“W900,” Kenworth Truck Company, 2009, 28-page brochure.

Kenworth Truck Company, “W900L AeroCab,” 1994, 2-page brochure.

Kenworth Truck Company, “AeroCab,” 1993, 5-page brochure.

“AeroCab,” Kenworth Truck Company, as early as 1995, 3-page brochure.

“C500B,” Kenworth Truck Company, as early as 1990, 4-page brochure.

Peterbilt Motors Company, “Class Pays, Medium Duty,” Sep. 2000, 12-page brochure.

“Class Pays, Truck Models,” Peterbilt Motors Company, Mar. 2005, 24-page brochure.

“Class Pays,” Peterbilt Motors Company, Nov. 1998, 10-page brochure.

Peterbilt Motors Company, “Class Pays,” Sep. 1997, 10-page brochure.

“Class Pays, Construction Trucks,” Peterbilt Motors Company, Nov. 2003, 16-page brochure.

“Kenworth Truck Models,” Kenworth Truck Company, 2010, 16-page brochure.

Peterbilt Motors Company, “Model 330,” Oct. 1997, 3-page brochure.

Peterbilt Motors Company, “Model 379,” Apr. 2005, 2-page brochure.

Peterbilt Motors Company, “Model 379,” Mar. 1996, 5-page brochure.

Peterbilt Motors Company, “Rest with Class,” Apr. 1978, 4-page brochure.

“T170 Class 5,” Kenworth Truck Company, 2008, 4-page brochure.

“T270 Class 6 and T370 Class 7,” Kenworth Truck Company, 2008, 6-page brochure.

“T270 Class 6 and T3 70 Class 7,” Kenworth Truck Company, 2009, 6-page brochure.

“T270 Class 6 and T3 70 Class 7 Hybrid,” Kenworth Truck Company, 2009, 6-page brochure.

“T680,” Kenworth Truck Company, 2013, 34-page brochure.

“T680,” Kenworth Truck Company, 2016, 34-page brochure.

“T880,” Kenworth Truck Company, 2017, 32-page brochure.

“Model 579,” Peterbilt Motors Company, Oct. 2013, 13-page brochure.

“Medium Duty,” Peterbilt Motors Company, 2013, 9-page brochure.

“On-Highway,” Peterbilt Motors Company, 2013, 13-page brochure.

“Vocational,” Peterbilt Motors Company, 2013, 11-page brochure.

“T440,” Kenworth Truck Company, 2010, 6-page brochure.

“T470,” Kenworth Truck Company, 2010, 6-page brochure.

“T470H,” Kenworth Truck Company, 2009, 2-page brochure.

“Model 220,” Peterbilt Motors Company, 2019, 2-page brochure.

“220EV,” Peterbilt Motors Company, 2020, 5-page brochure.

“Model 3 3 7,” Peterbilt Motors Company, 2020, 2-page brochure.

“Model 389,” Peterbilt Motors Company, 2019, 2-page brochure.

“Model 348,” Peterbilt Motors Company, 2019, 2-page brochure.

“Model 520,” Peterbilt Motors Company, 2019, 2-page brochure.

“Model 567,” Peterbilt Motors Company, 2020, 16-page brochure.

“567 Heritage,” Peterbilt Motors Company, 2017, 2-page brochure.

“Model 579,” Peterbilt Motors Company, 2019, 28-page brochure.

“C500,” Kenworth Truck Company, 2012, 2-page brochure.

“T680,” Kenworth Truck Company, 2019, 40-page brochure.

“T800,” Kenworth Truck Company, 2012, 28-page brochure.

“T440/T470,” Kenworth Truck Company, 2015, 8-page brochure.

“K270E/K3 70E,” Kenworth Truck Company, 2020, 4-page brochure.

“T170/T270/T370,” Kenworth Truck Company, 2019, 16-page brochure.

“K270/K370,” Kenworth Truck Company, 2014, 12-page brochure.

“W990,” Kenworth Truck Company, 2018, 32-page brochure.

“T880,” Kenworth Truck Company, 2019, 36-page brochure.

“Model 367,” Peterbilt Motors Company, <https://www.peterbilt.com/trucks/vocational/model-367>, retrieved Nov. 20, 2020, 12 pages.

“Model 365,” Peterbilt Motors Company, <https://www.peterbilt.com/trucks/vocational/model-365>, retrieved Nov. 20, 2020, 11 pages.

“Model 325,” Peterbilt Motors Company, <https://www.peterbilt.com/trucks/medium-duty/model-325>, retrieved Nov. 20, 2020, 12 pages.

* cited by examiner

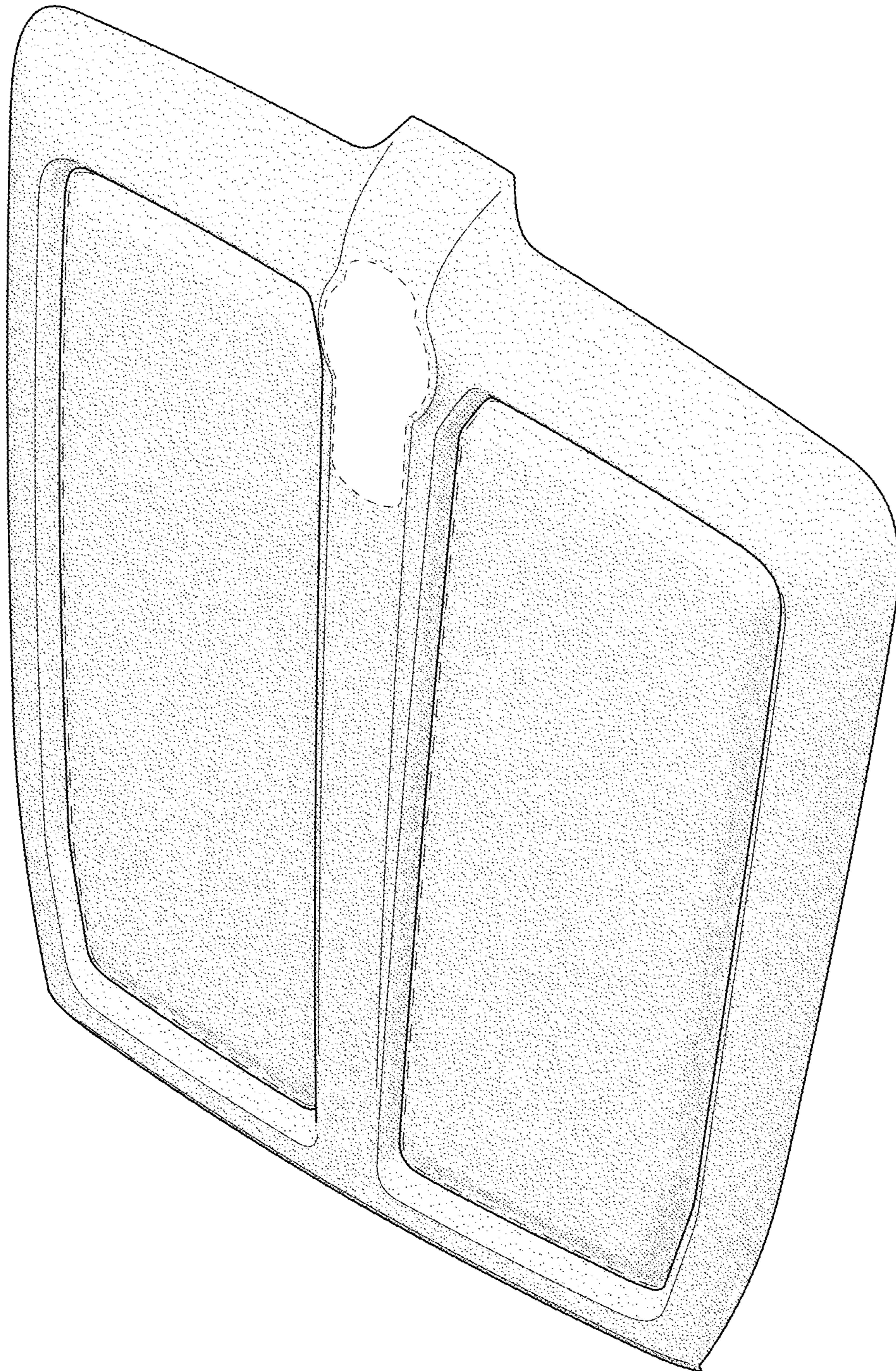


FIG. 1

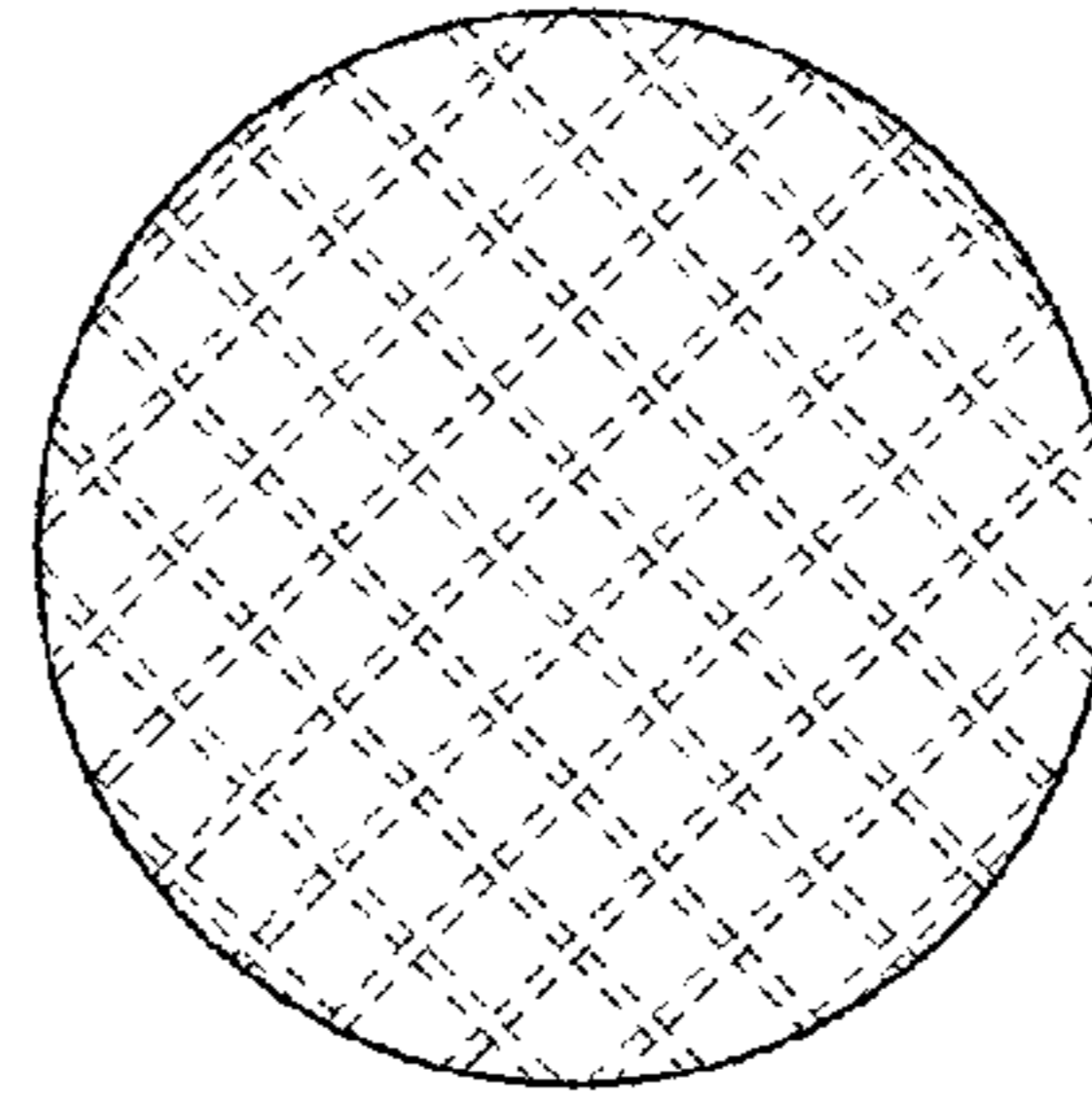


FIG. 2A

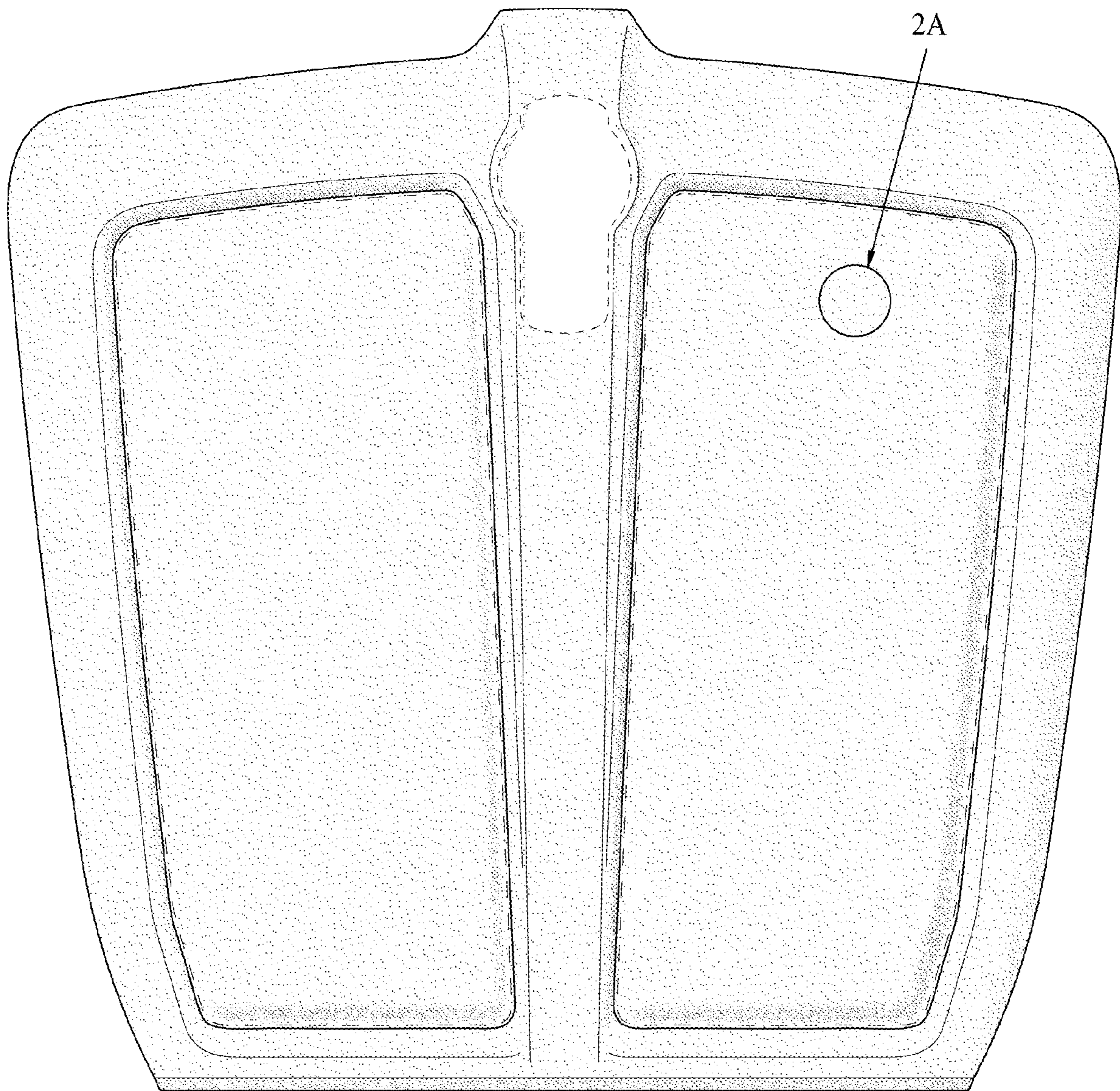


FIG. 2

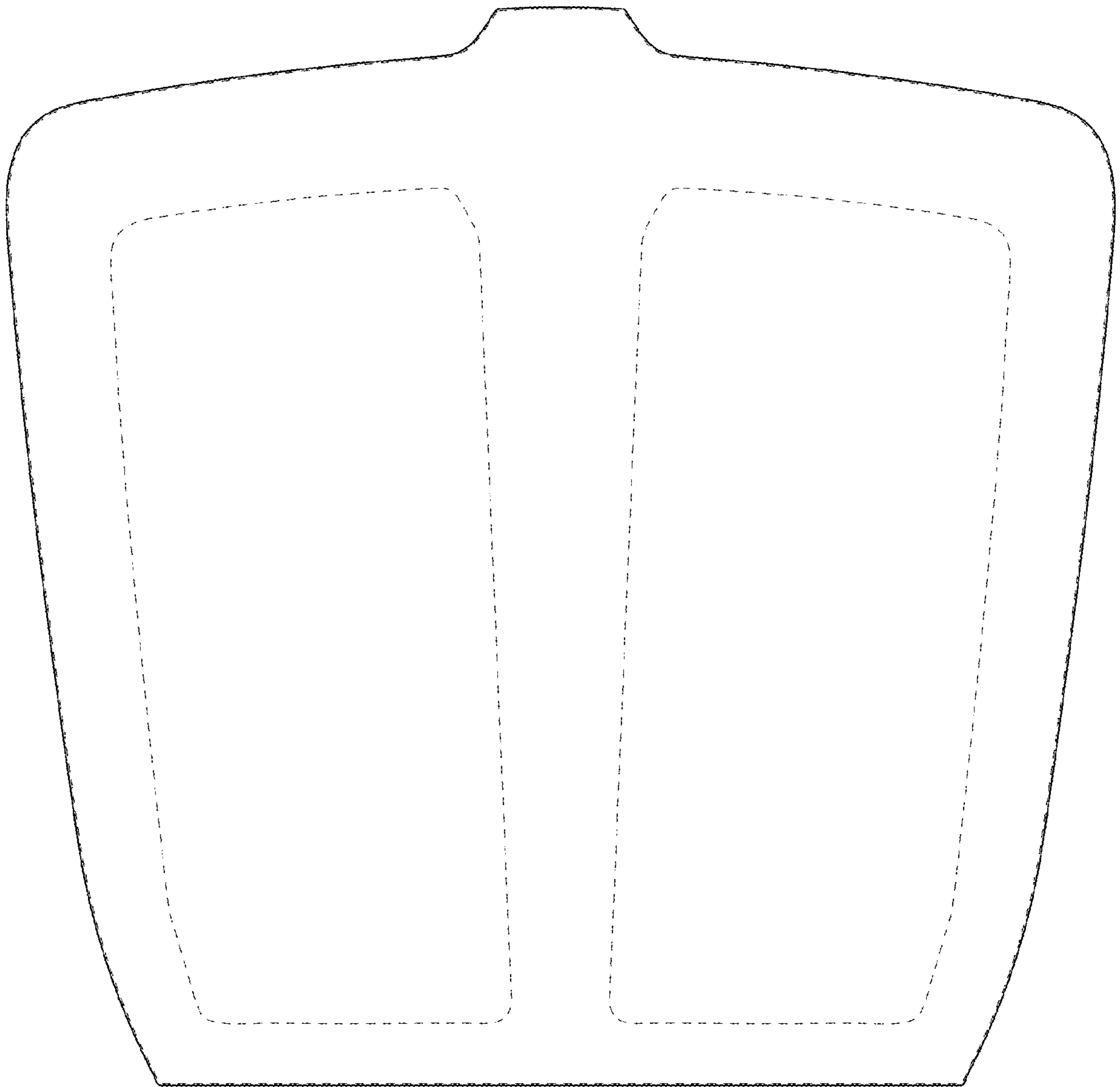


FIG. 3

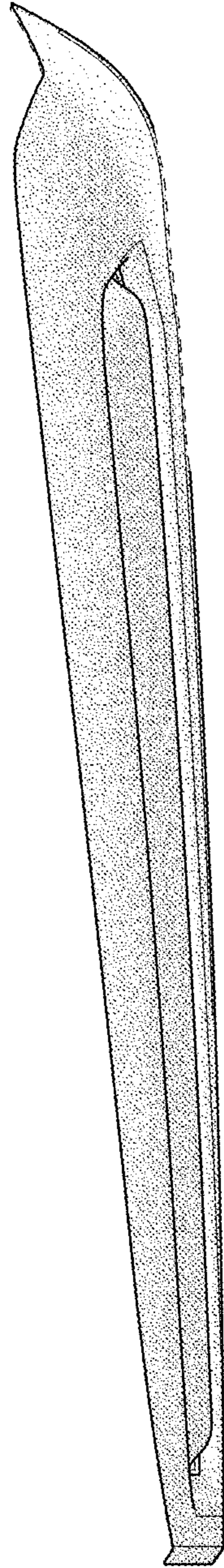


FIG. 4

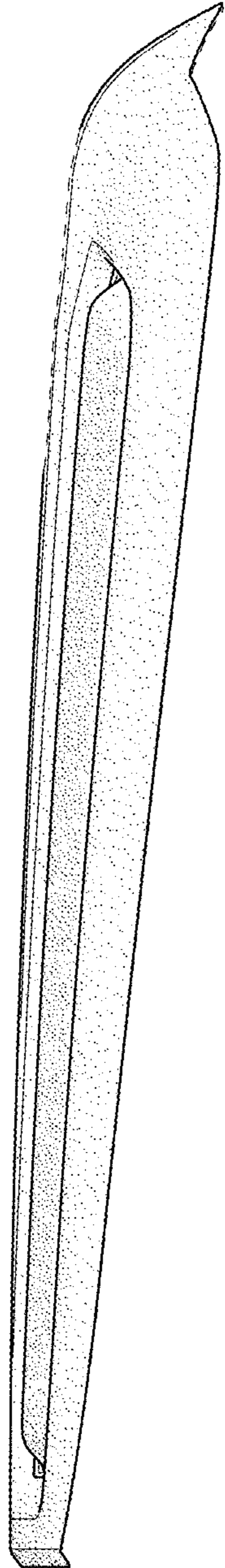


FIG. 5

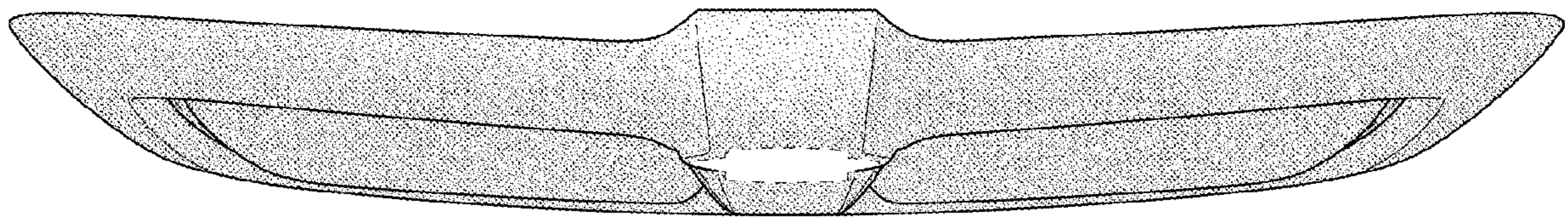


FIG. 6

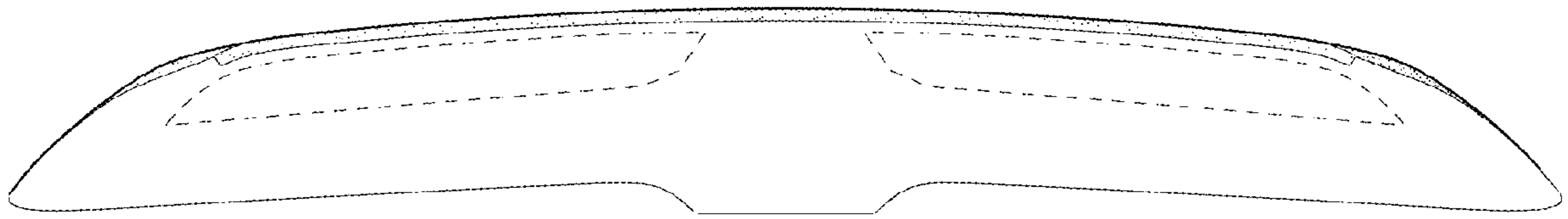


FIG. 7

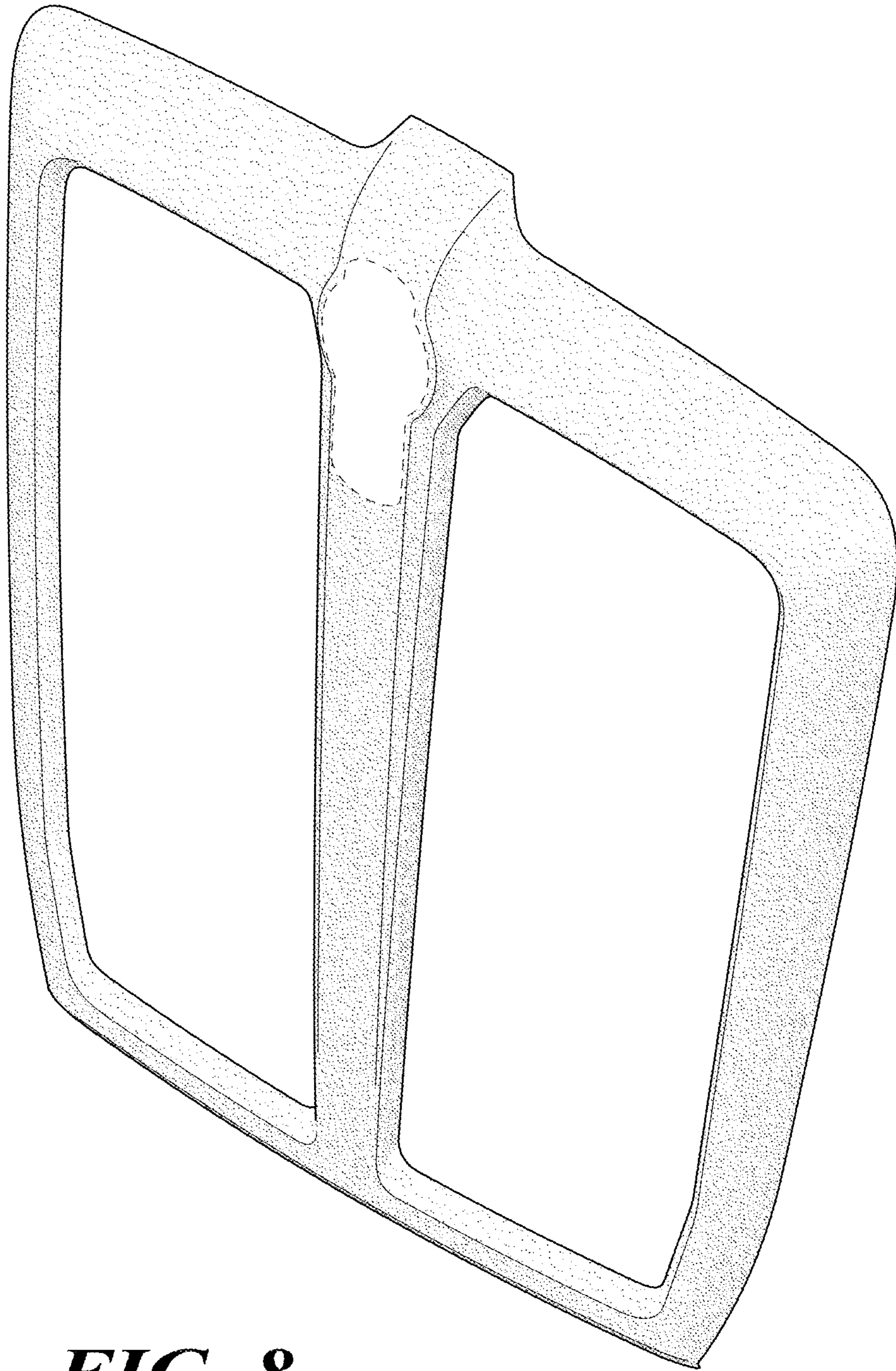


FIG. 8