



US00D976163S

(12) **United States Design Patent**  
**Ramanath et al.**

(10) **Patent No.:** **US D976,163 S**  
(45) **Date of Patent:** **\*\* Jan. 24, 2023**

(54) **SMART WHEELCHAIR**  
(71) Applicant: **Rajeev Ramanath**, San Jose, CA (US)  
(72) Inventors: **Rajeev Ramanath**, San Jose, CA (US);  
**Julio Cesar Castañeda**, Redondo Beach, CA (US); **Amit Krishn Gulati**, Gurugram (IN); **Ajay Anand**, Faridabad (IN); **Varun Manocha**, Kolkata (IN); **Nilay Sagar**, Gurugram (IN)

(\*\*) Term: **15 Years**

(21) Appl. No.: **29/752,156**

(22) Filed: **Sep. 25, 2020**

(51) **LOC (14) Cl.** ..... **12-12**

(52) **U.S. Cl.**  
USPC ..... **D12/131**

(58) **Field of Classification Search**  
USPC ..... D12/128, 129, 130, 131, 132, 133;  
D21/686, 687, 689, 690, 691  
CPC . A61G 5/00; A61G 5/02; A61G 5/021; A61G 5/022; A61G 5/04; A61G 5/041; A61G 5/042; A61G 5/043; A61G 5/045; A61G 5/046; A61G 5/047; A61G 5/048; A61G 5/10; A61G 5/128

See application file for complete search history.

(56) **References Cited**

**U.S. PATENT DOCUMENTS**

D276,904 S \* 12/1984 Shepard ..... D12/131  
D848,317 S \* 5/2019 Sugie ..... D12/131  
D883,862 S \* 5/2020 Liu ..... D12/131

10,638,835 B1 \* 5/2020 Short ..... A61G 7/1046  
11,077,002 B1 \* 8/2021 Crump ..... A61G 5/1045  
D951,823 S \* 5/2022 Son ..... D12/131  
2010/0327557 A1 \* 12/2010 Wang ..... A61G 5/0891  
280/304.1  
2021/0059880 A1 \* 3/2021 Raja ..... A61G 5/122  
2021/0338501 A1 \* 11/2021 Joyce ..... A61G 5/122  
2022/0097532 A1 \* 3/2022 Ramanath ..... A61G 5/125

**FOREIGN PATENT DOCUMENTS**

CN 110420097 A \* 11/2019  
CN 112172988 A \* 1/2021  
KR 100978386 B1 \* 8/2010

\* cited by examiner

*Primary Examiner* — Cary M Robinson  
*Assistant Examiner* — Adam C Mager

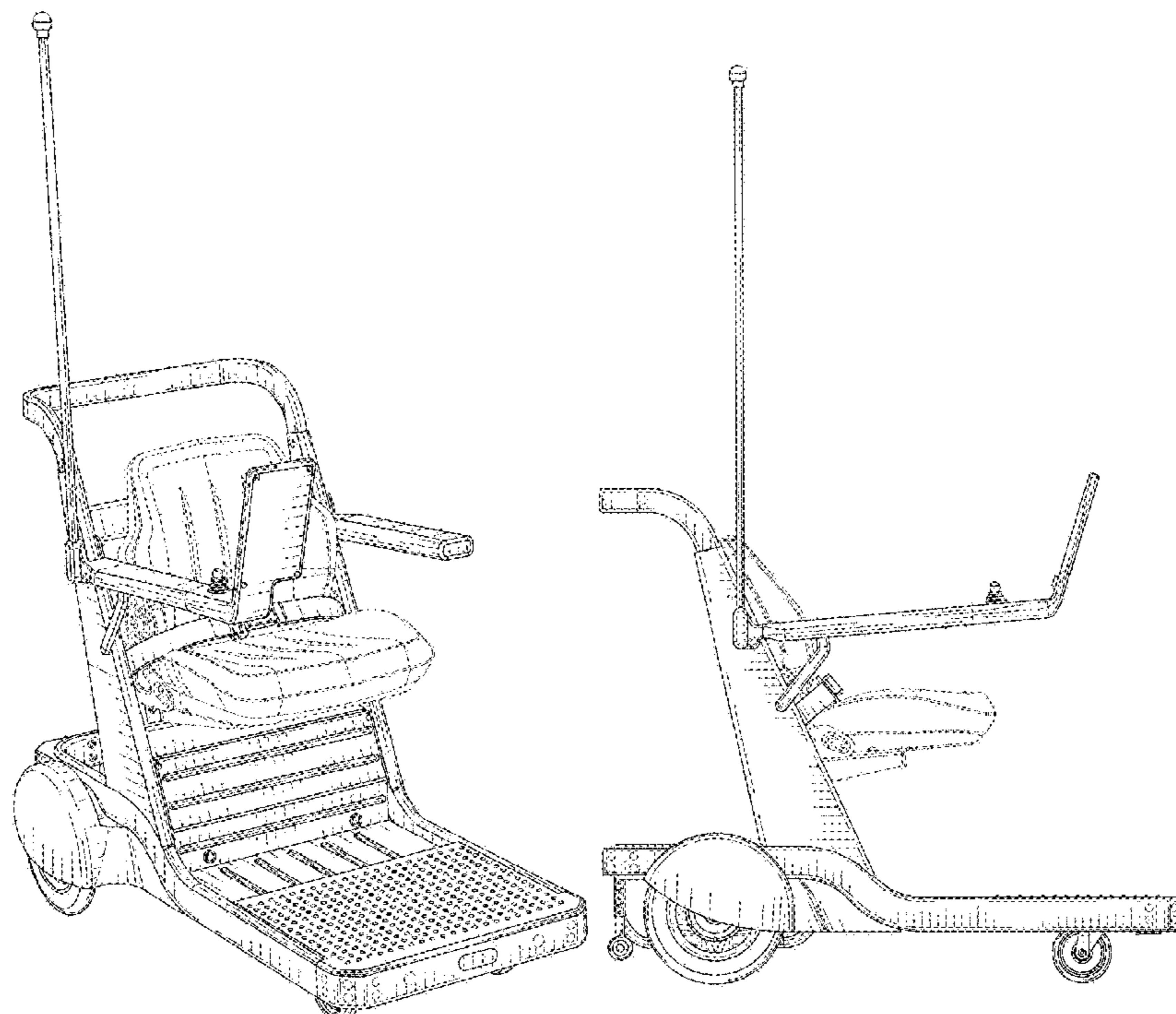
(57) **CLAIM**

The ornamental design for a smart wheelchair, as shown and described.

**DESCRIPTION**

FIG. 1 is a front perspective view of a smart wheelchair showing our new design;  
FIG. 2 is a back perspective view thereof;  
FIG. 3 is a top view thereof;  
FIG. 4 is a bottom view thereof;  
FIG. 5 is a left side view thereof;  
FIG. 6 is a right side view thereof;  
FIG. 7 is a front view thereof; and,  
FIG. 8 is a back view thereof.  
The portions of the smart wheelchair shown in broken lines forms no part of the claimed design.

**1 Claim, 8 Drawing Sheets**



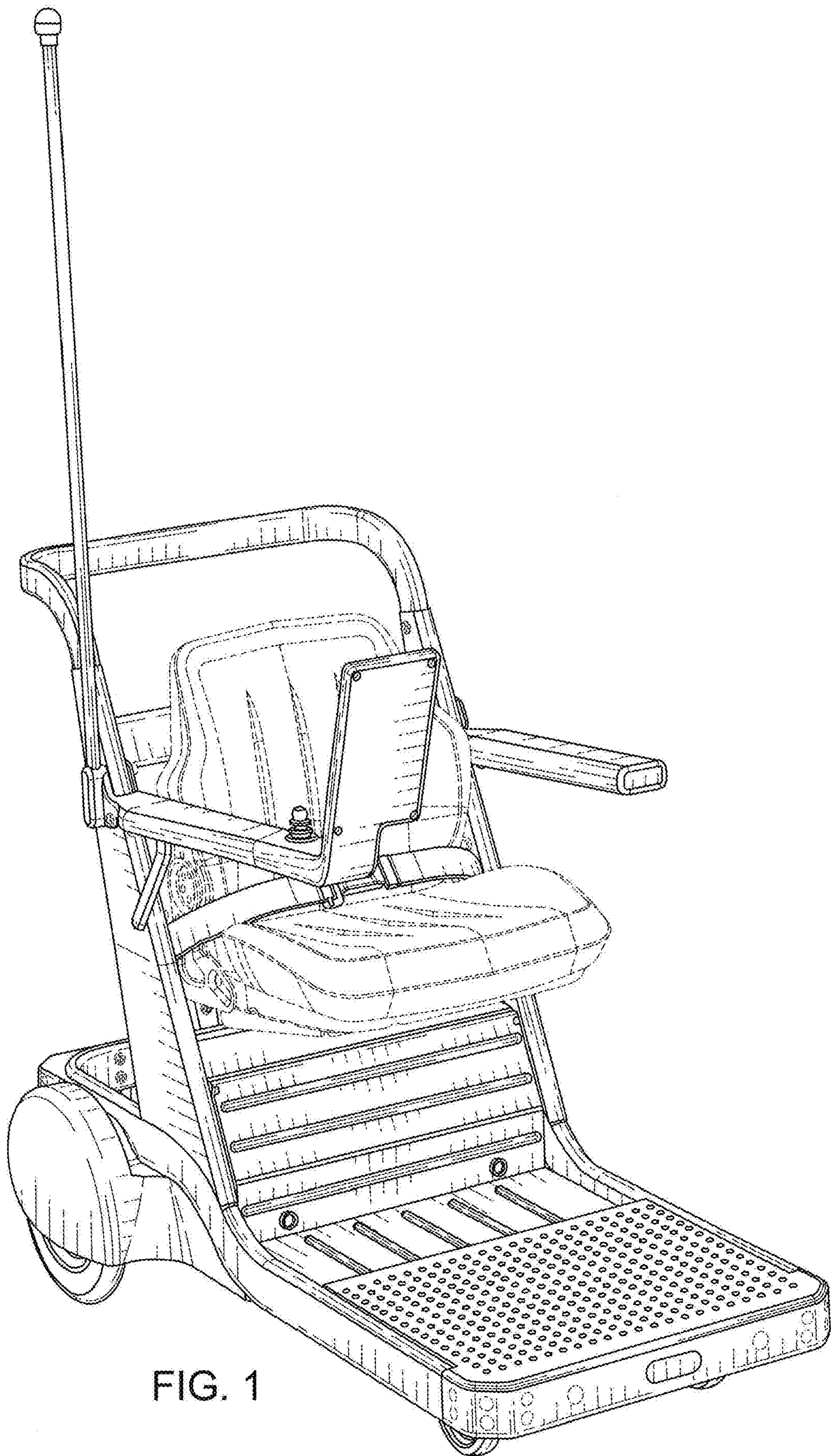


FIG. 1

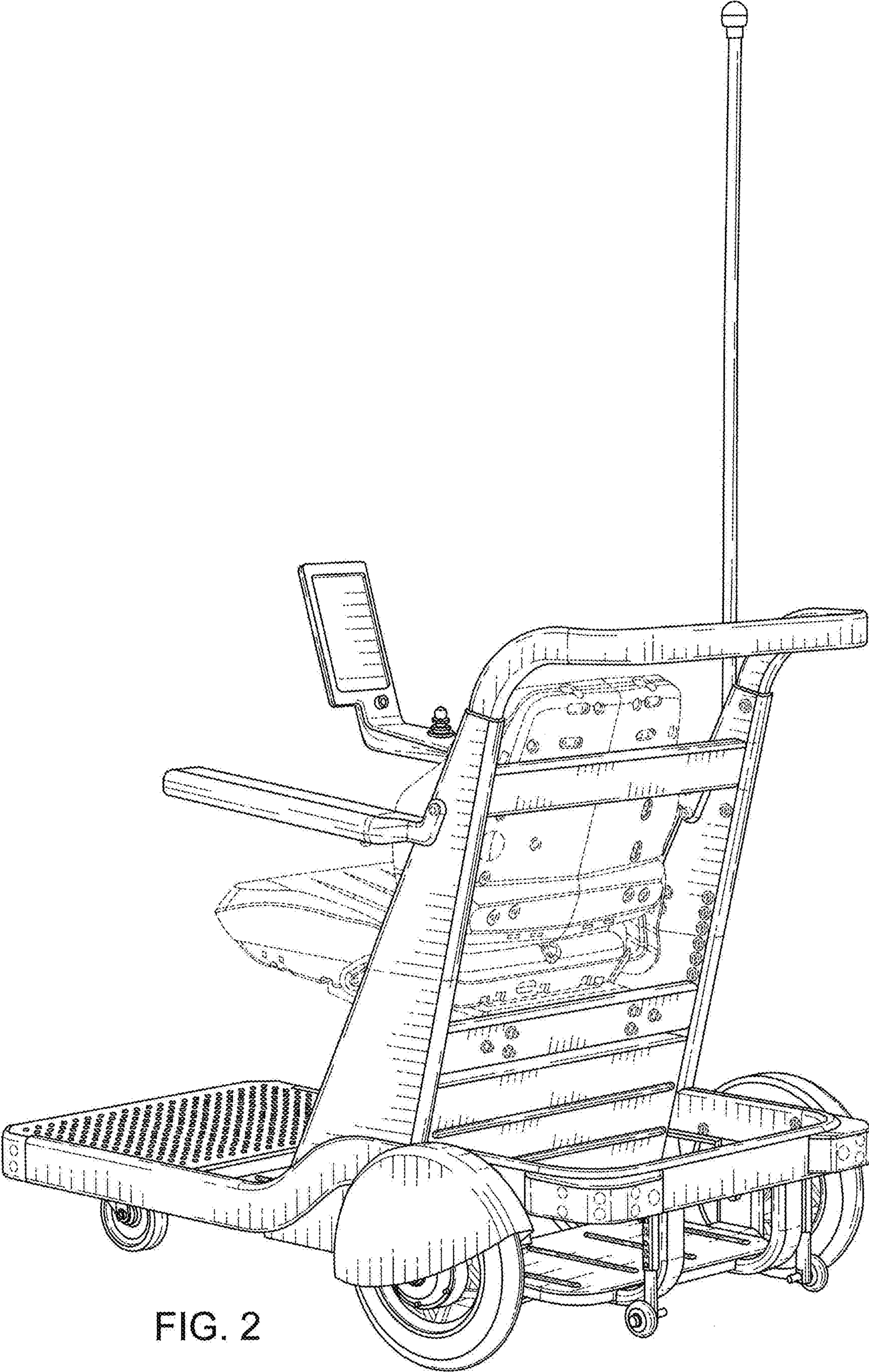


FIG. 2

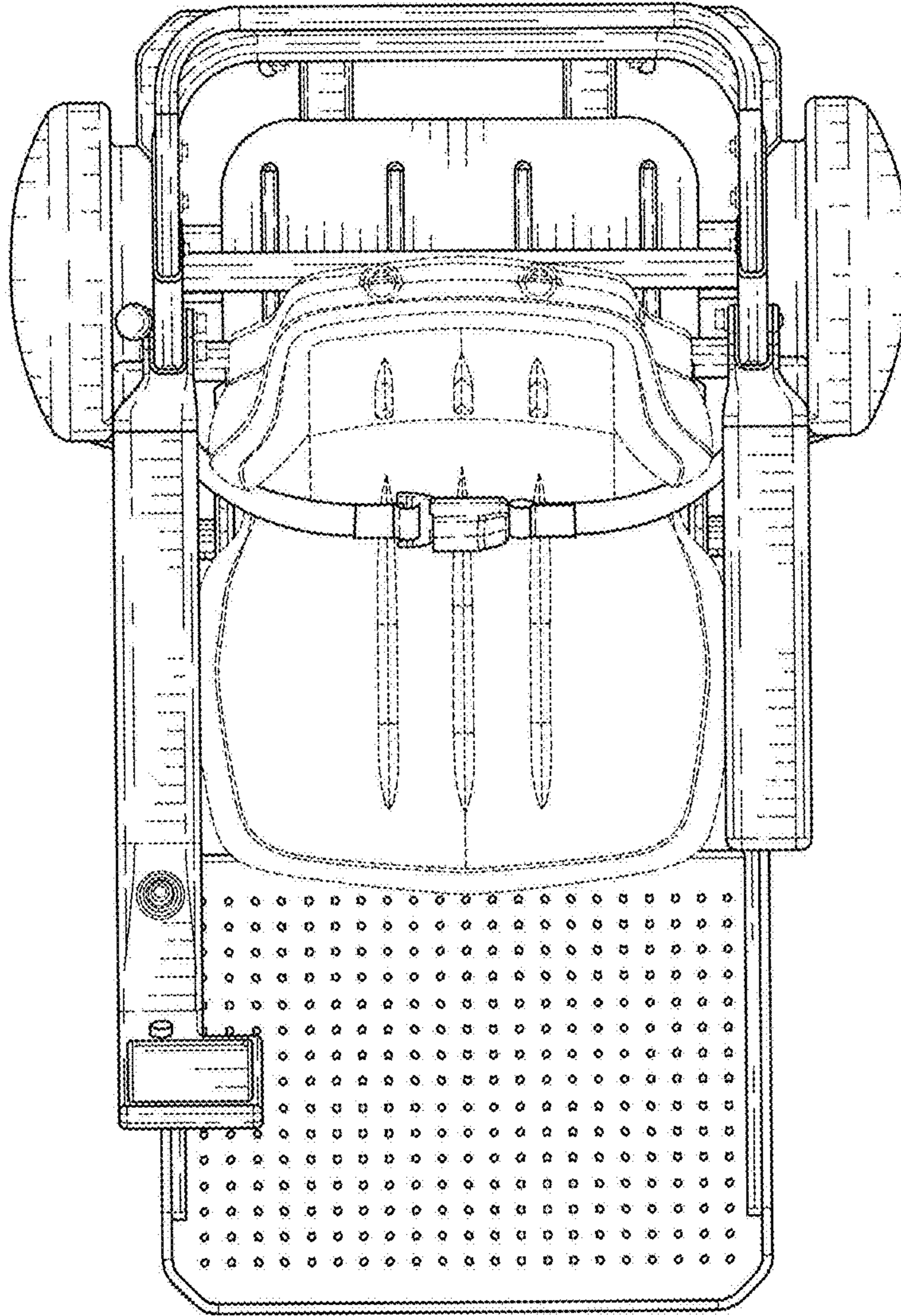


FIG. 3

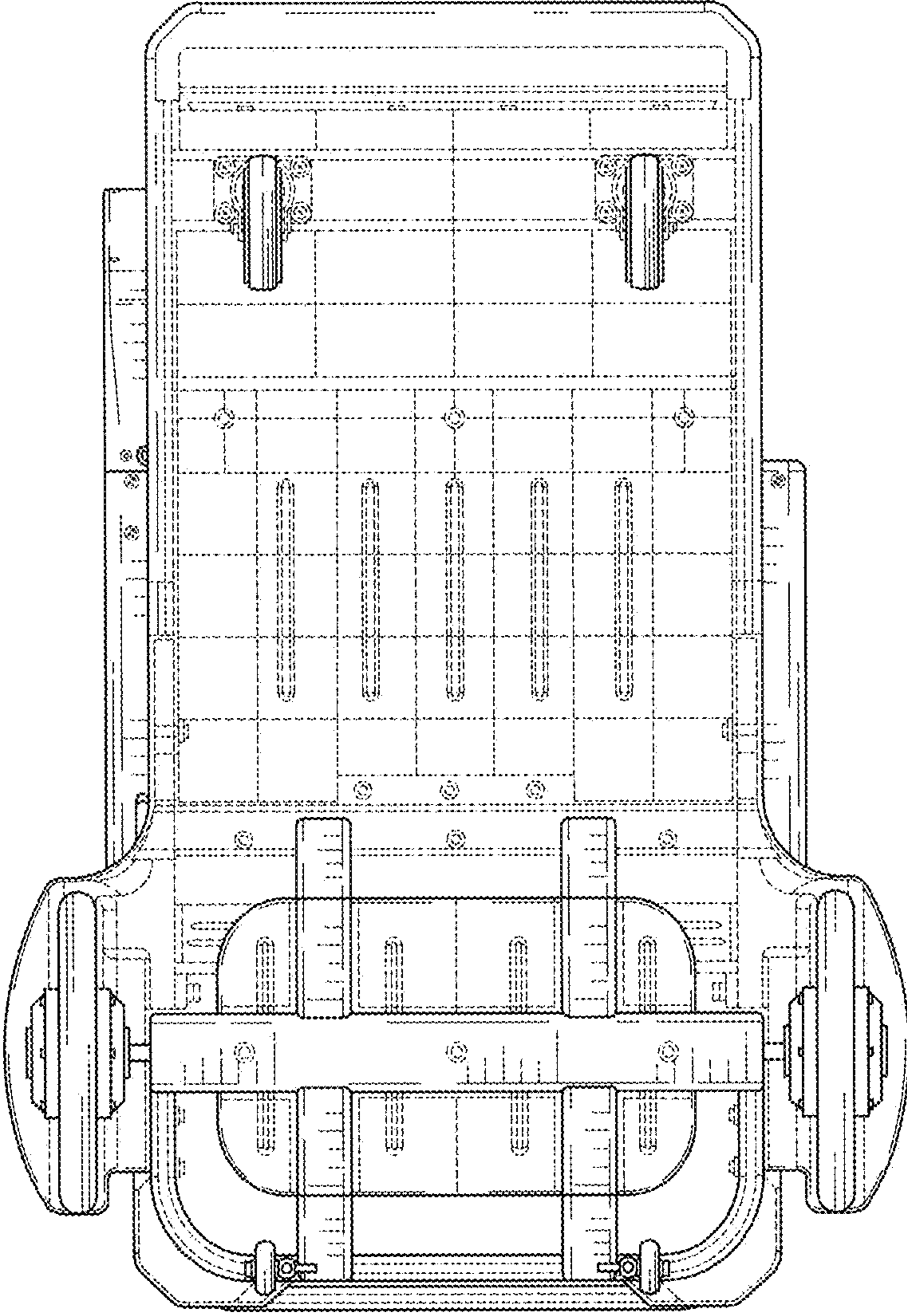


FIG. 4

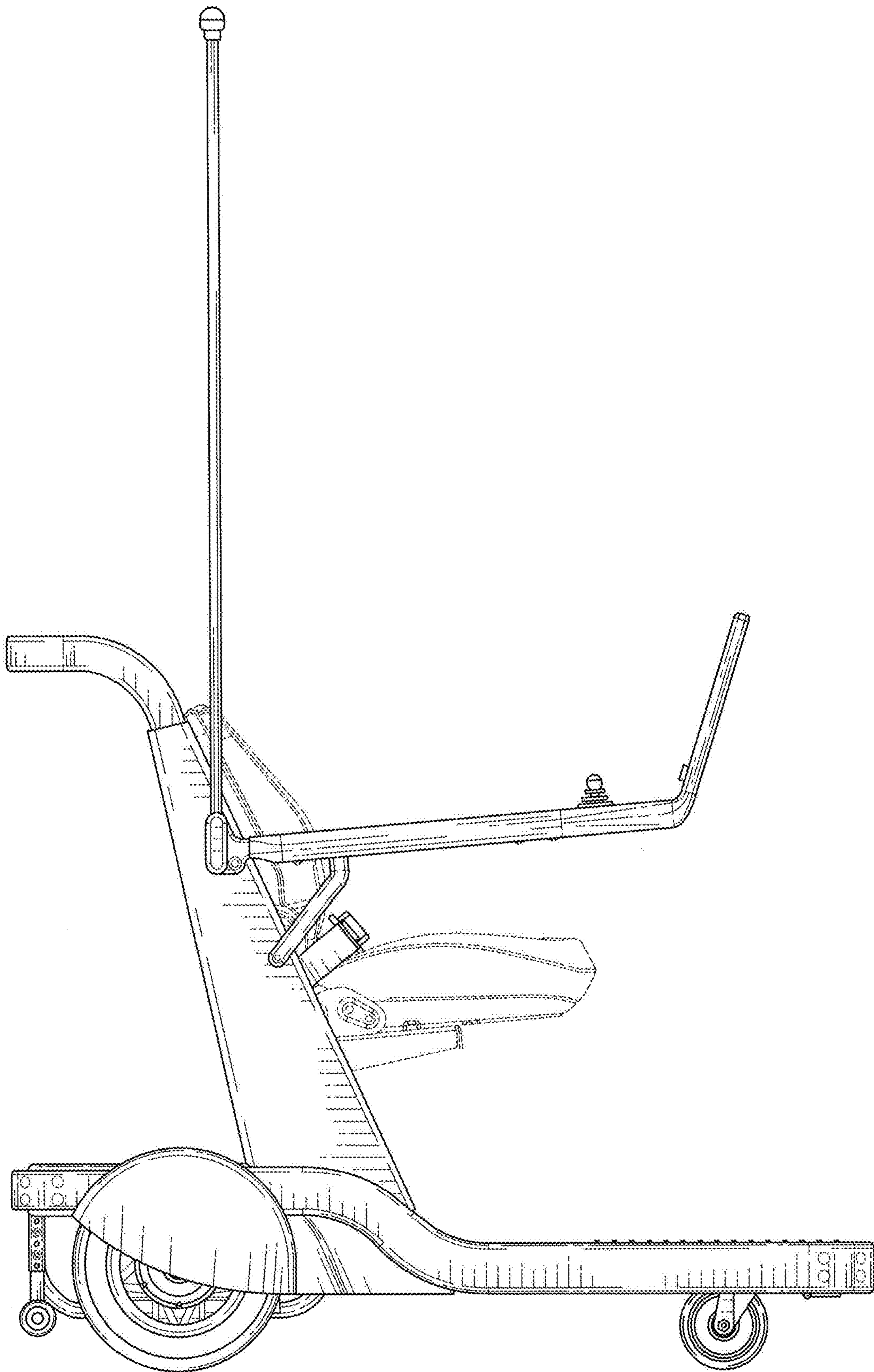


FIG. 5

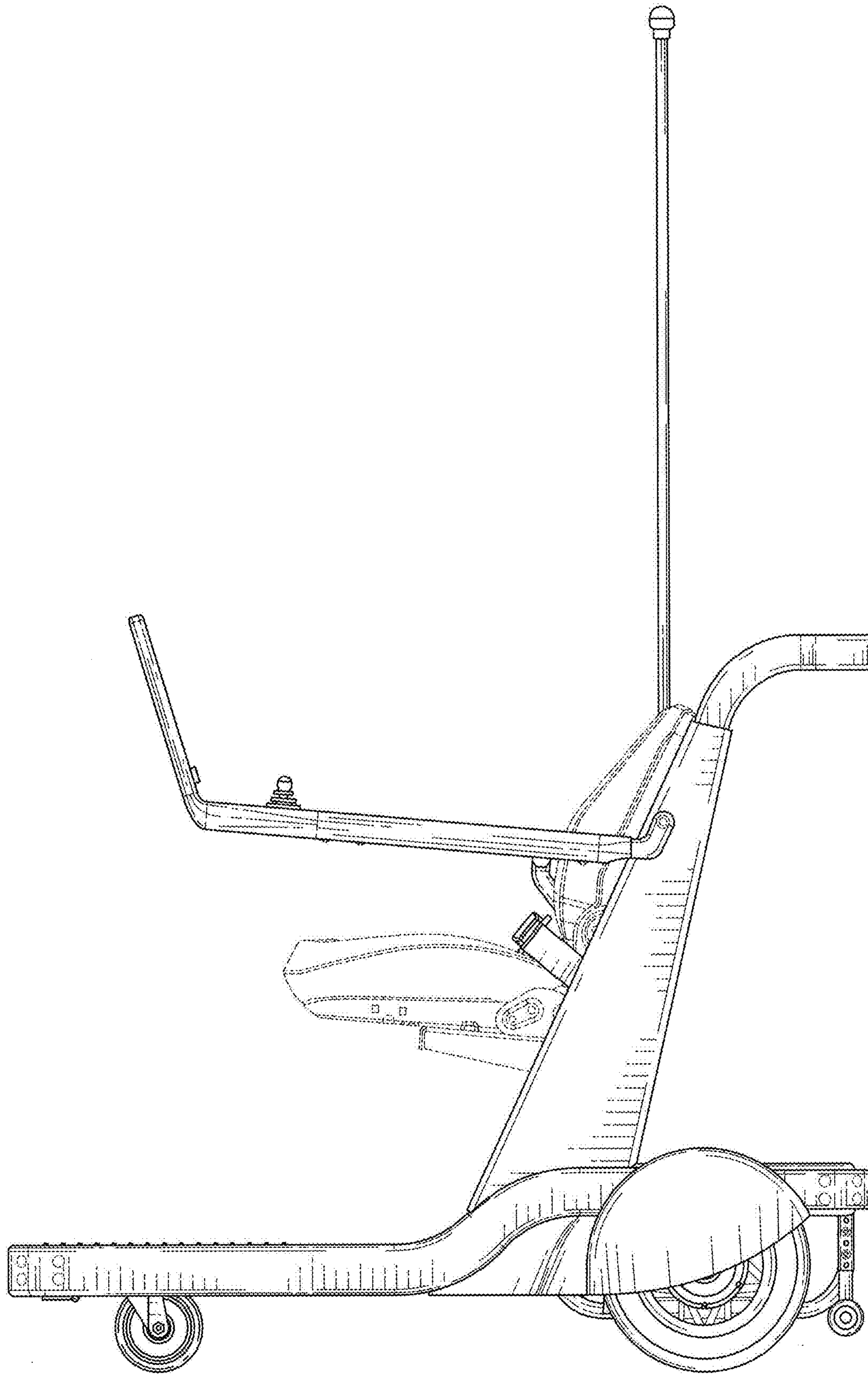


FIG. 6

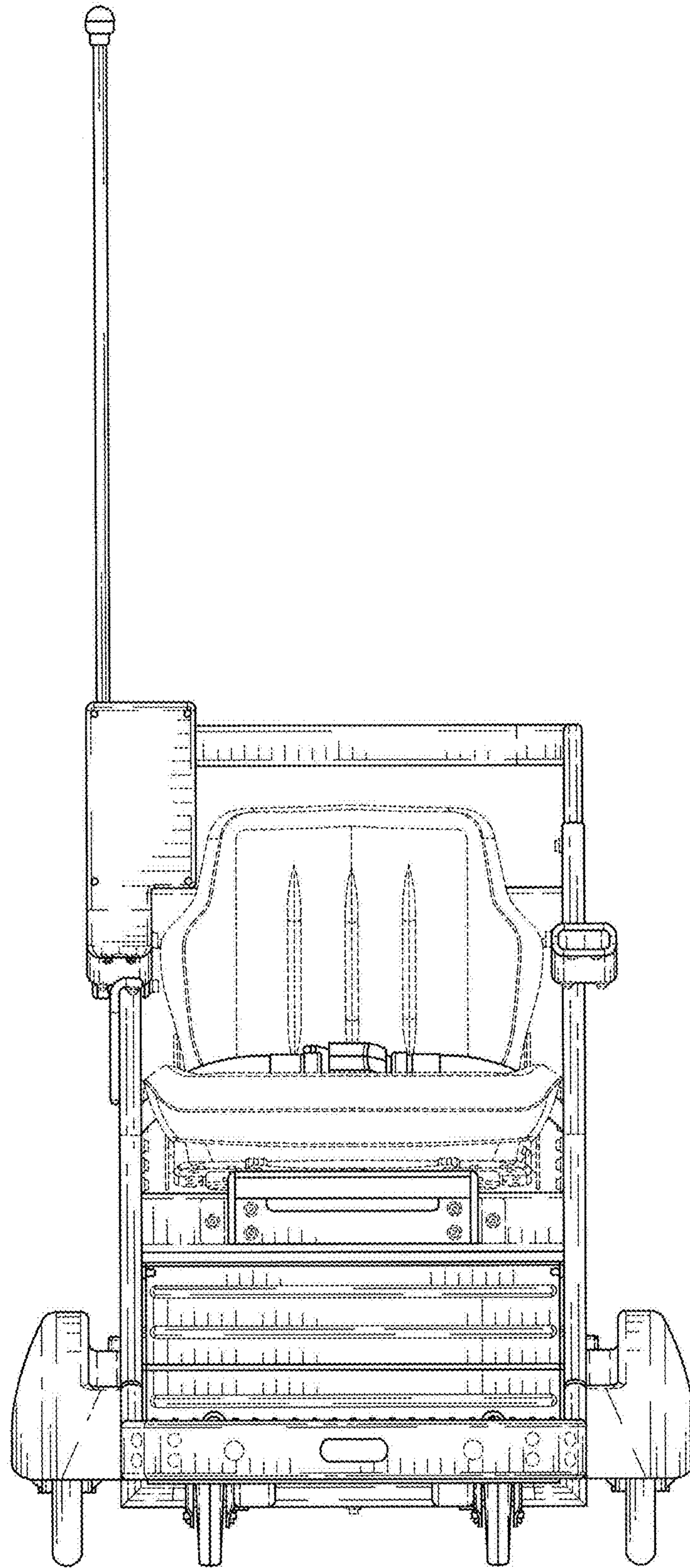


FIG. 7



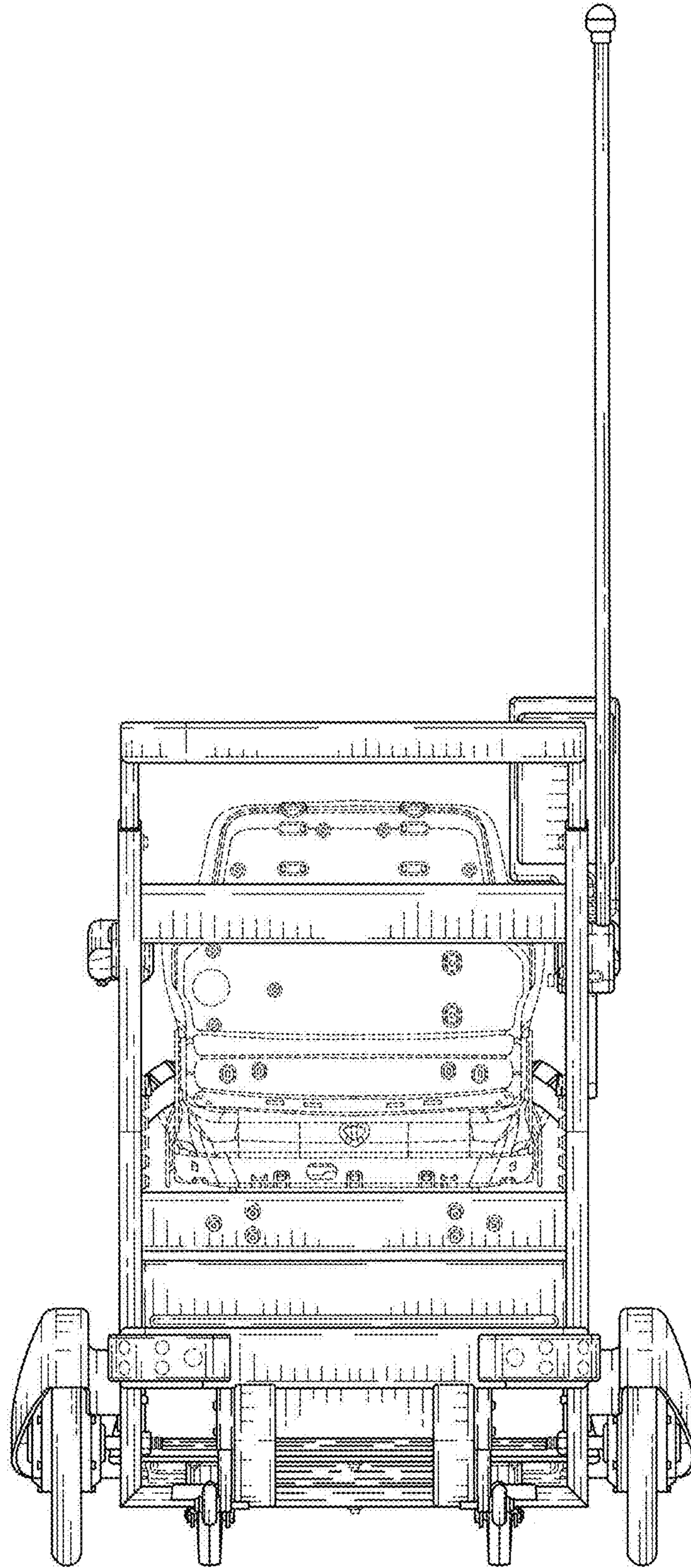


FIG. 8