

US00D976162S

(12) **United States Design Patent** (10) **Patent No.:** **US D976,162 S**  
**Cerilli** (45) **Date of Patent:** **\*\* Jan. 24, 2023**

- (54) **WALKER APPARATUS**  
 (71) Applicant: **Darling June, PBC**, Orange, CT (US)  
 (72) Inventor: **Anna Cerilli**, Orange, CT (US)  
 (73) Assignee: **Darling June, PBC.**, Orange, CT (US)  
 (\*\*) Term: **15 Years**  
 (21) Appl. No.: **29/751,788**  
 (22) Filed: **Sep. 23, 2020**

- 5,772,234 A 6/1998 Luo  
 5,927,441 A 7/1999 Luo  
 6,311,708 B1 11/2001 Howle  
 6,494,469 B1 12/2002 Hara et al.  
 D519,423 S 4/2006 Tolfsen  
 7,628,411 B2 12/2009 Meyers et al.  
 8,220,823 B2 7/2012 Queen  
 8,511,694 B2 8/2013 Bradshaw et al.  
 (Continued)

FOREIGN PATENT DOCUMENTS

- CN 100534406 C 9/2009  
 JP 3106179 U 12/2004  
 (Continued)

Related U.S. Application Data

- (63) Continuation-in-part of application No. 16/832,657, filed on Mar. 27, 2020, now Pat. No. 11,253,417, and a continuation-in-part of application No. 29/686,087, filed on Apr. 2, 2019, now Pat. No. Des. 906,901.  
 (51) **LOC (14) Cl.** ..... **12-12**  
 (52) **U.S. Cl.**  
 USPC ..... **D12/130**  
 (58) **Field of Classification Search**  
 USPC ..... D24/130  
 CPC ..... A61H 3/00; A61H 3/04; A61H 2003/001-007; A61H 2003/043; A61H 2003/046

See application file for complete search history.

(56) **References Cited**

U.S. PATENT DOCUMENTS

- 2,872,967 A 2/1959 Kirkpatrick  
 4,907,794 A 3/1990 Rose  
 D310,646 S 9/1990 Rose  
 D312,061 S 11/1990 Smith  
 5,046,748 A 9/1991 Oat-Judge  
 D372,890 S 8/1996 Ferm et al.  
 D375,708 S 11/1996 Ahlbertz  
 5,603,517 A 2/1997 Lorman  
 5,605,169 A 2/1997 Light  
 5,605,345 A 2/1997 Erfurth et al.

OTHER PUBLICATIONS

International Search Report and Written Opinion for International Application No. PCT/US2020/025371 dated Jun. 12, 2020.

*Primary Examiner* — Charles D Hanson  
(74) *Attorney, Agent, or Firm* — Stephen J. Kenny; Vincenzo DiMonaco; Foley Hoag LLP

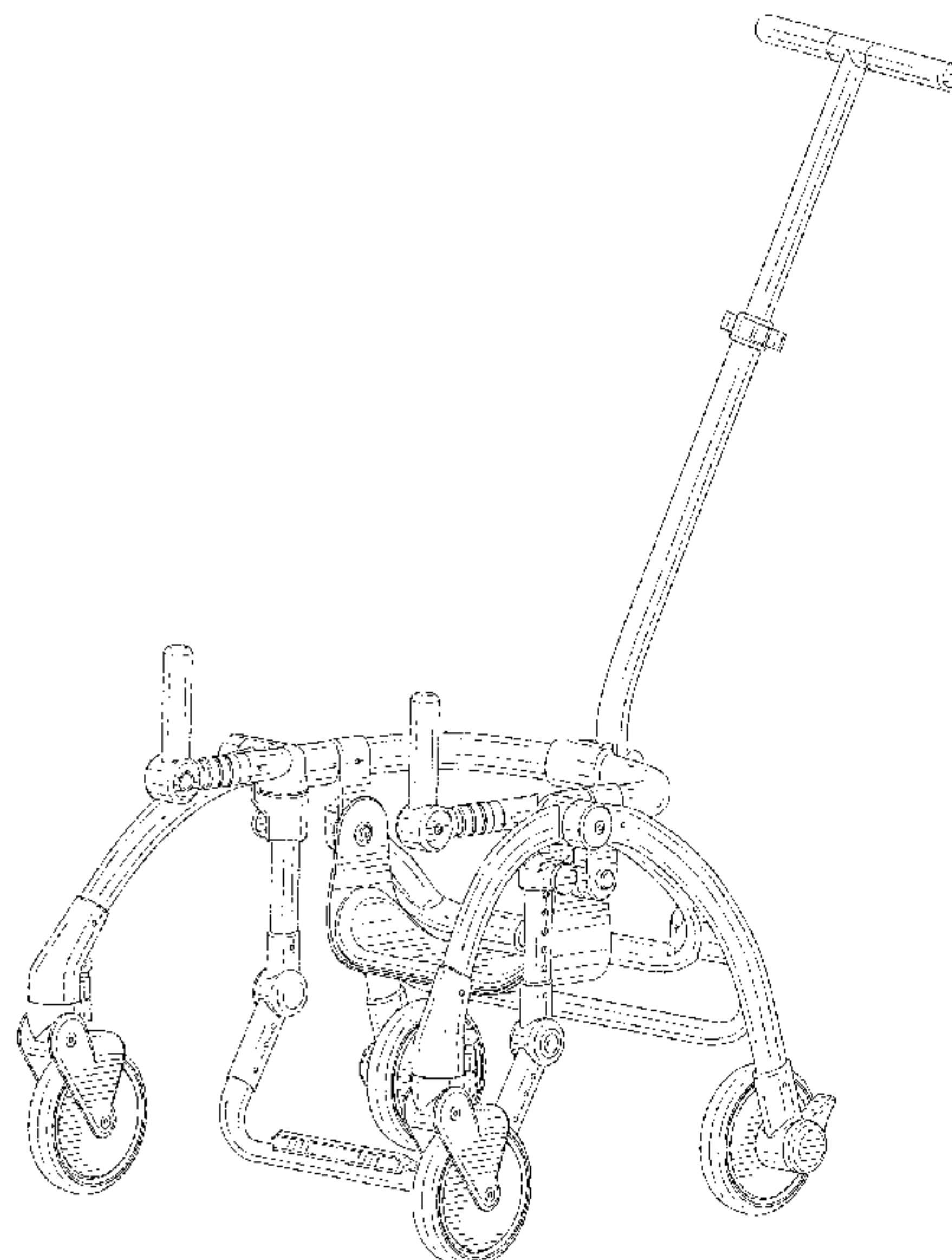
(57) **CLAIM**

The ornamental design for walker apparatus, as shown and described.

**DESCRIPTION**

FIG. 1 is a front perspective view of the walker apparatus showing my new design.  
 FIG. 2 is a front view thereof.  
 FIG. 3 is a rear view thereof.  
 FIG. 4 is a right side view thereof.  
 FIG. 5 is a left side view thereof.  
 FIG. 6 is a top view thereof.  
 FIG. 7 is a bottom view thereof; and,  
 FIG. 8 is a front perspective view of the walker apparatus of FIG. 1, shown in a folded configuration.

**1 Claim, 8 Drawing Sheets**



(56)

References Cited

U.S. PATENT DOCUMENTS

D696,162 S 12/2013 Skafdrup et al.  
 D703,107 S 4/2014 Moller  
 8,708,363 B1 4/2014 Chang  
 8,936,256 B2 1/2015 Liu  
 9,339,432 B2 5/2016 Liu et al.  
 9,415,635 B2 8/2016 Liu  
 D780,073 S \* 2/2017 Tsai ..... D12/129  
 9,585,807 B2 3/2017 Fellingham et al.  
 9,662,264 B2 5/2017 Jacobs  
 D789,255 S 6/2017 Delatorre et al.  
 9,707,148 B1 7/2017 McGuire  
 9,744,094 B2 8/2017 Liu et al.  
 9,763,849 B2 9/2017 Paterson et al.  
 9,770,380 B1 9/2017 Dalton  
 D798,777 S 10/2017 Lin  
 D798,778 S 10/2017 Lin  
 9,775,767 B1 10/2017 Khaligh  
 9,808,394 B1 11/2017 Jiang  
 D805,440 S 12/2017 Kavanagh et al.  
 9,833,377 B2 12/2017 Smed  
 D809,436 S \* 2/2018 Tang ..... D12/129  
 D814,363 S 4/2018 VanAusdall  
 D816,556 S 5/2018 Parr  
 9,968,507 B2 5/2018 Rabin et al.  
 10,016,324 B1 7/2018 Howard  
 10,053,062 B2 8/2018 Liu  
 10,111,803 B2 10/2018 Julian et al.  
 D836,499 S 12/2018 Delatorre et al.  
 D836,500 S 12/2018 Julian et al.  
 D837,697 S 1/2019 Luo  
 D840,877 S 2/2019 Michelena et al.  
 10,231,520 B2 3/2019 Kudronowicz  
 D845,841 S 4/2019 No-Young  
 10,292,891 B2 5/2019 Zheng et al.  
 D851,543 S 6/2019 Janeczek et al.  
 10,307,321 B2 6/2019 Pan et al.  
 D857,561 S 8/2019 Berman et al.  
 10,391,018 B1 8/2019 Fitzwater

D858,366 S 9/2019 VanAusdall  
 10,406,061 B1 9/2019 January  
 D861,544 S 10/2019 January  
 D865,575 S 11/2019 Lin  
 10,470,963 B1 11/2019 Donahoe et al.  
 D869,347 S 12/2019 Huang  
 10,500,121 B2 12/2019 Triolo et al.  
 10,543,144 B2 1/2020 Johnson et al.  
 D874,351 S 2/2020 Fellingham et al.  
 10,555,866 B2 2/2020 Pan et al.  
 10,583,065 B1 3/2020 Mejia  
 10,583,066 B1 3/2020 Abroms  
 10,617,592 B2 4/2020 Fellingham et al.  
 D883,861 S 5/2020 Mejia  
 D898,627 S \* 10/2020 Johansson ..... D12/129  
 D906,901 S 1/2021 Cerilli  
 D929,272 S \* 8/2021 Yudin ..... D12/133  
 D941,192 S \* 1/2022 Du ..... D12/129  
 2002/0070533 A1 6/2002 Owens  
 2005/0001398 A1 1/2005 Serhan  
 2007/0283990 A1 12/2007 Fernandez et al.  
 2008/0093826 A1 4/2008 Willis  
 2008/0129016 A1 6/2008 Willis  
 2010/0263697 A1 10/2010 Catton  
 2013/0181489 A1 7/2013 Serhan et al.  
 2013/0292916 A1 11/2013 Nabeta  
 2014/0217696 A1 \* 8/2014 Bartels ..... B62K 9/02  
 280/274  
 2014/0265188 A1 9/2014 Chang  
 2015/0048598 A1 2/2015 Freeman  
 2016/0106617 A1 4/2016 Wobith et al.  
 2018/0369059 A1 12/2018 Shirley  
 2020/0306121 A1 10/2020 Cerilli  
 2021/0038451 A1 2/2021 Wang

FOREIGN PATENT DOCUMENTS

WO WO-2002/022070 A2 3/2002  
 WO WO-2020/205578 A1 10/2020

\* cited by examiner

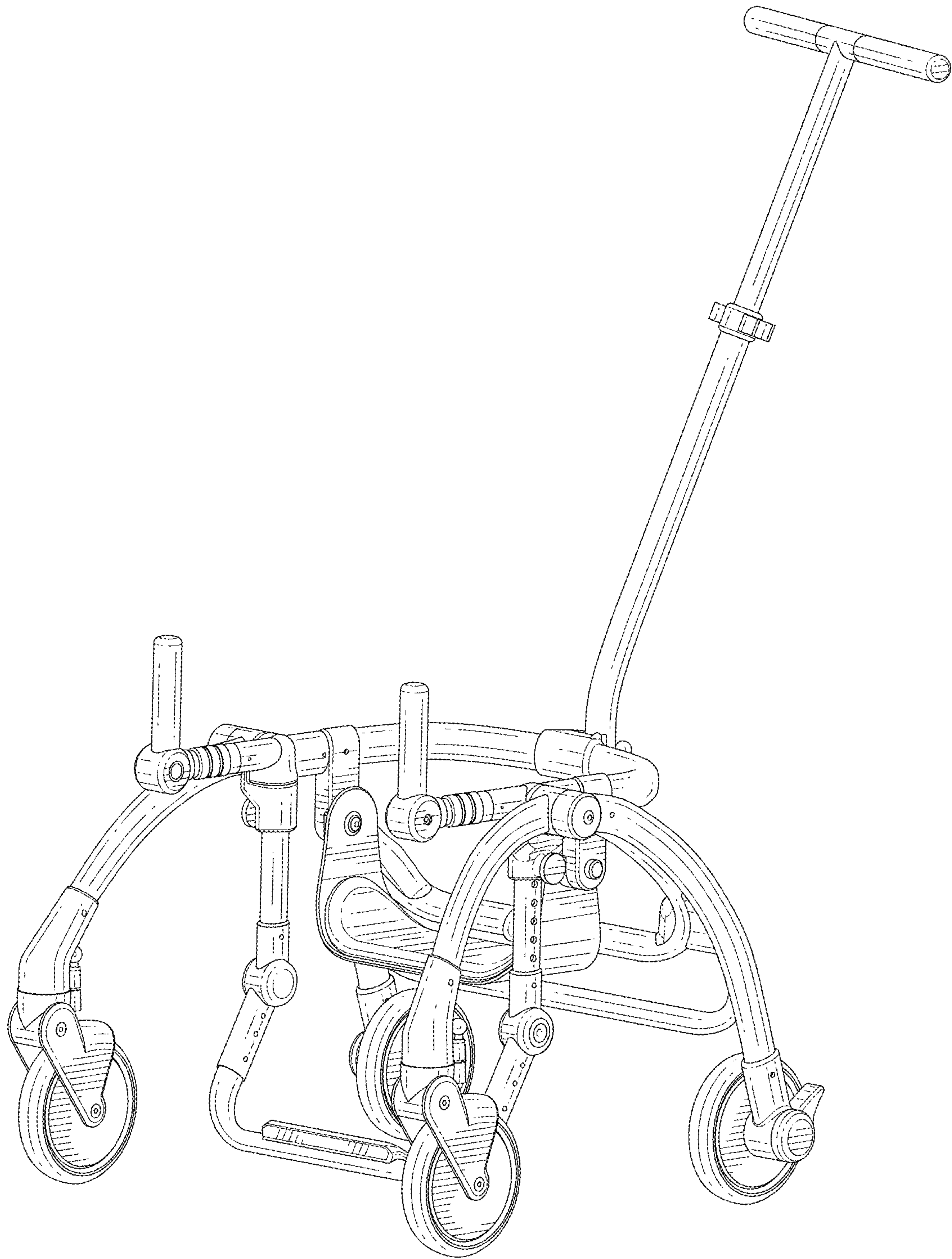


FIG. 1



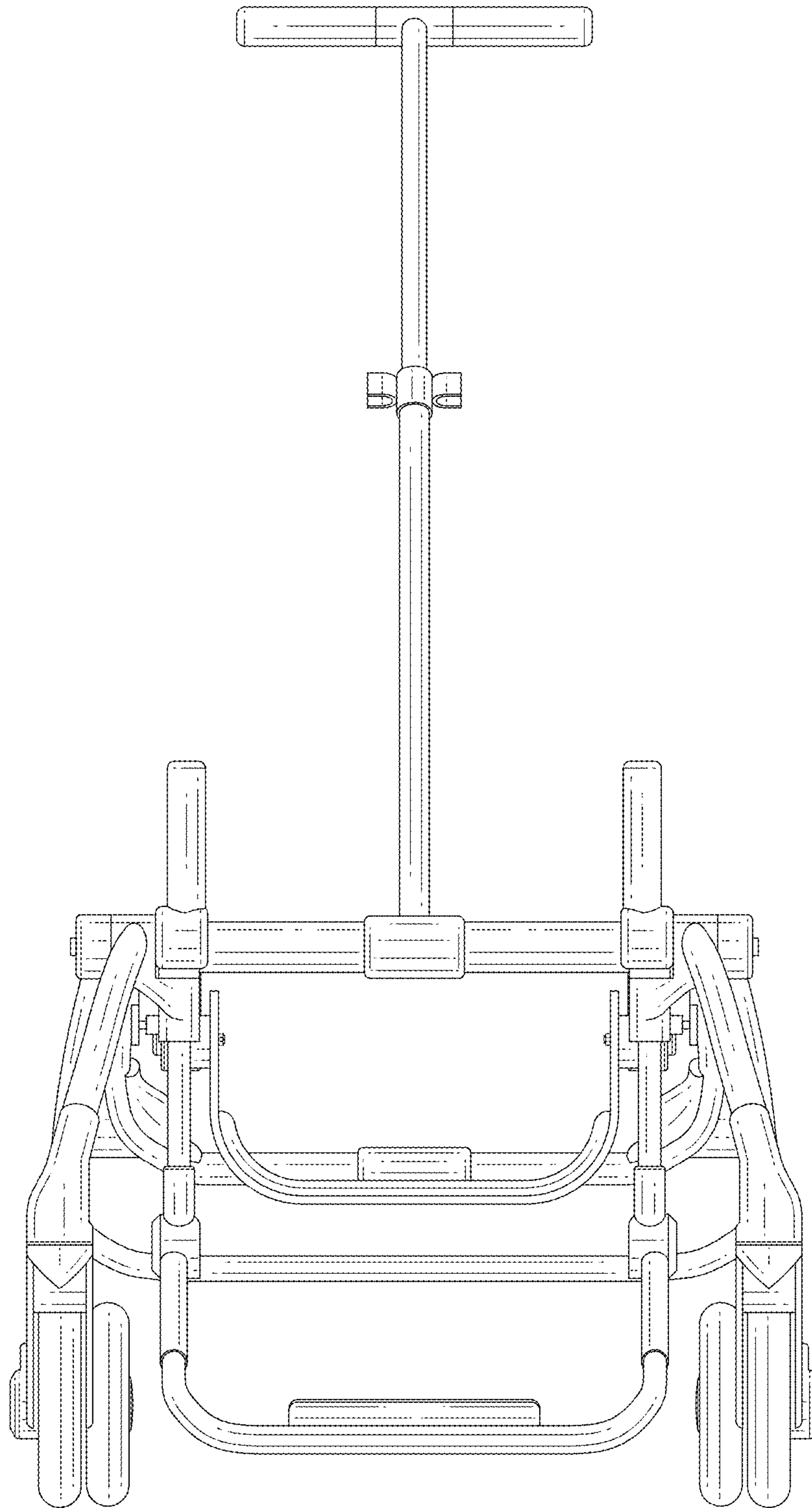


FIG. 2

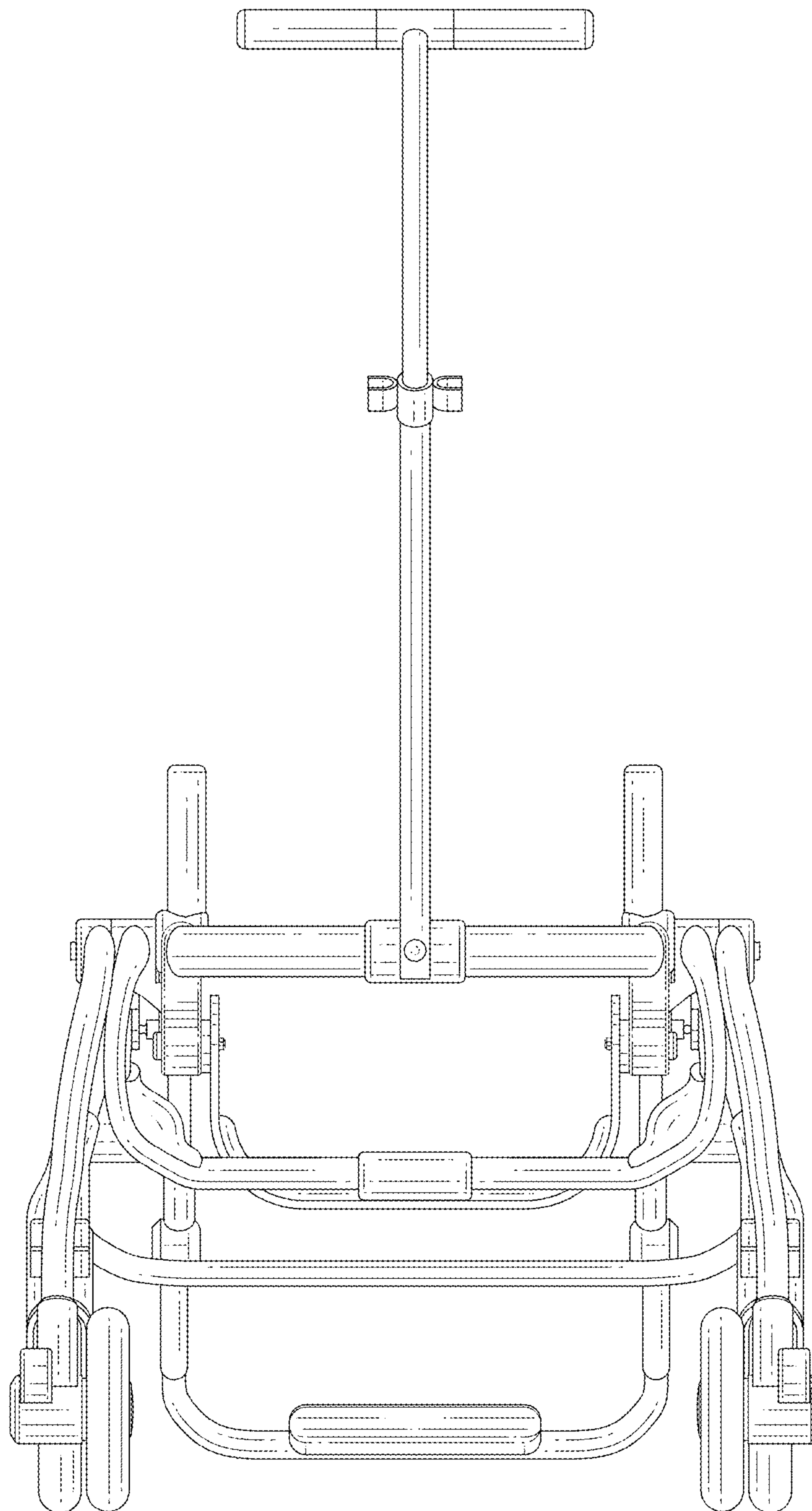


FIG. 3

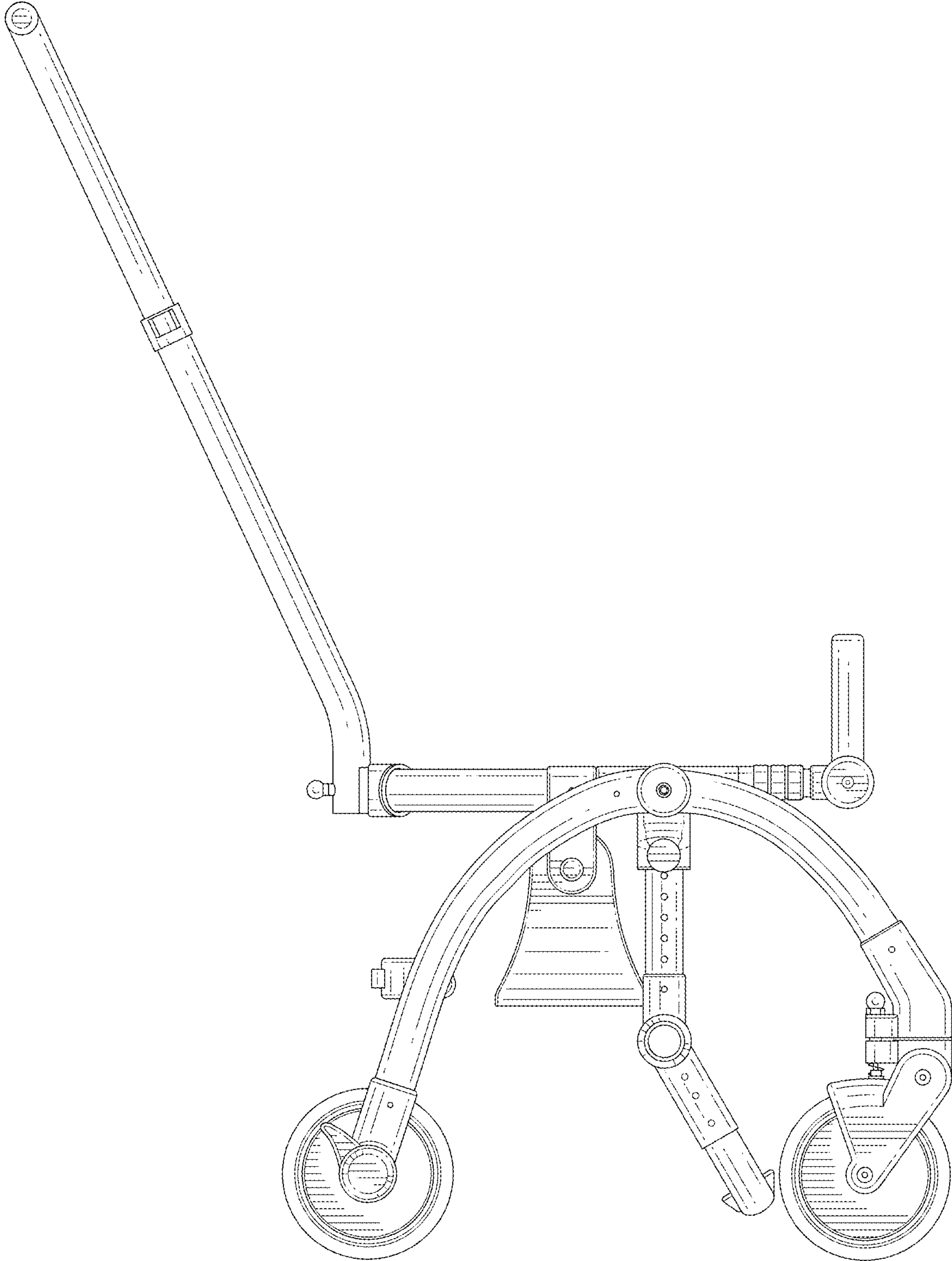


FIG.4

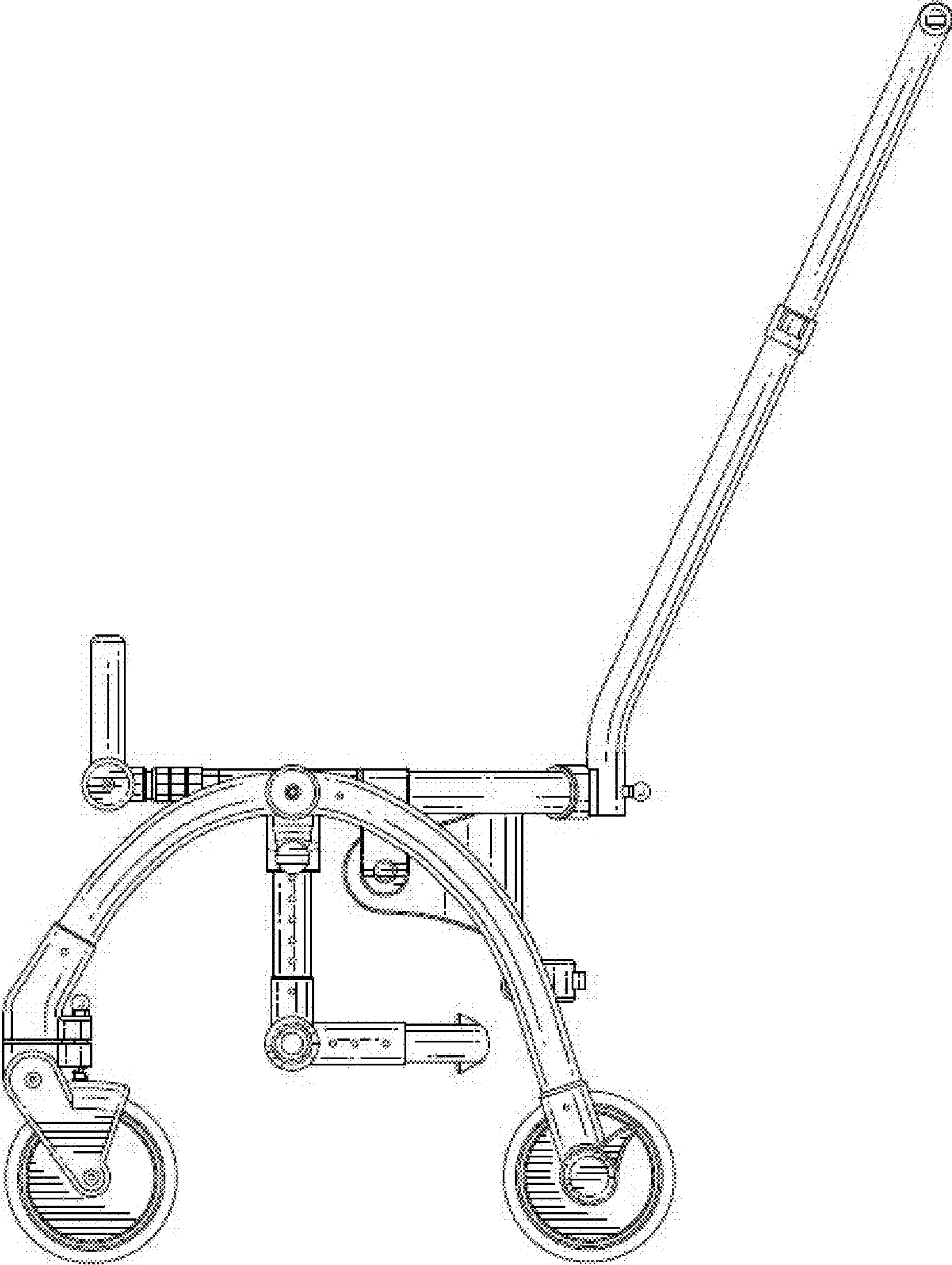


FIG.5

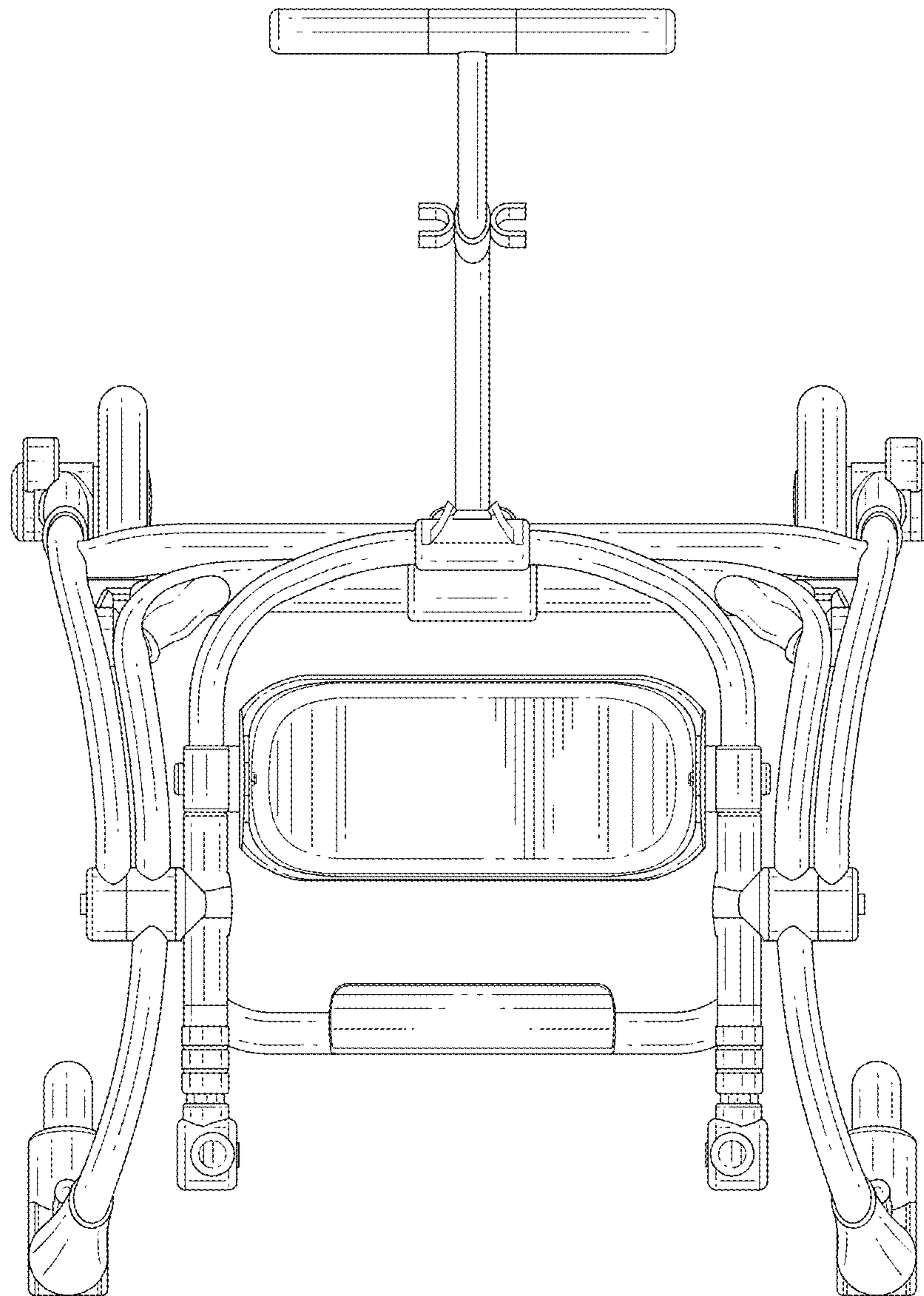


FIG. 6



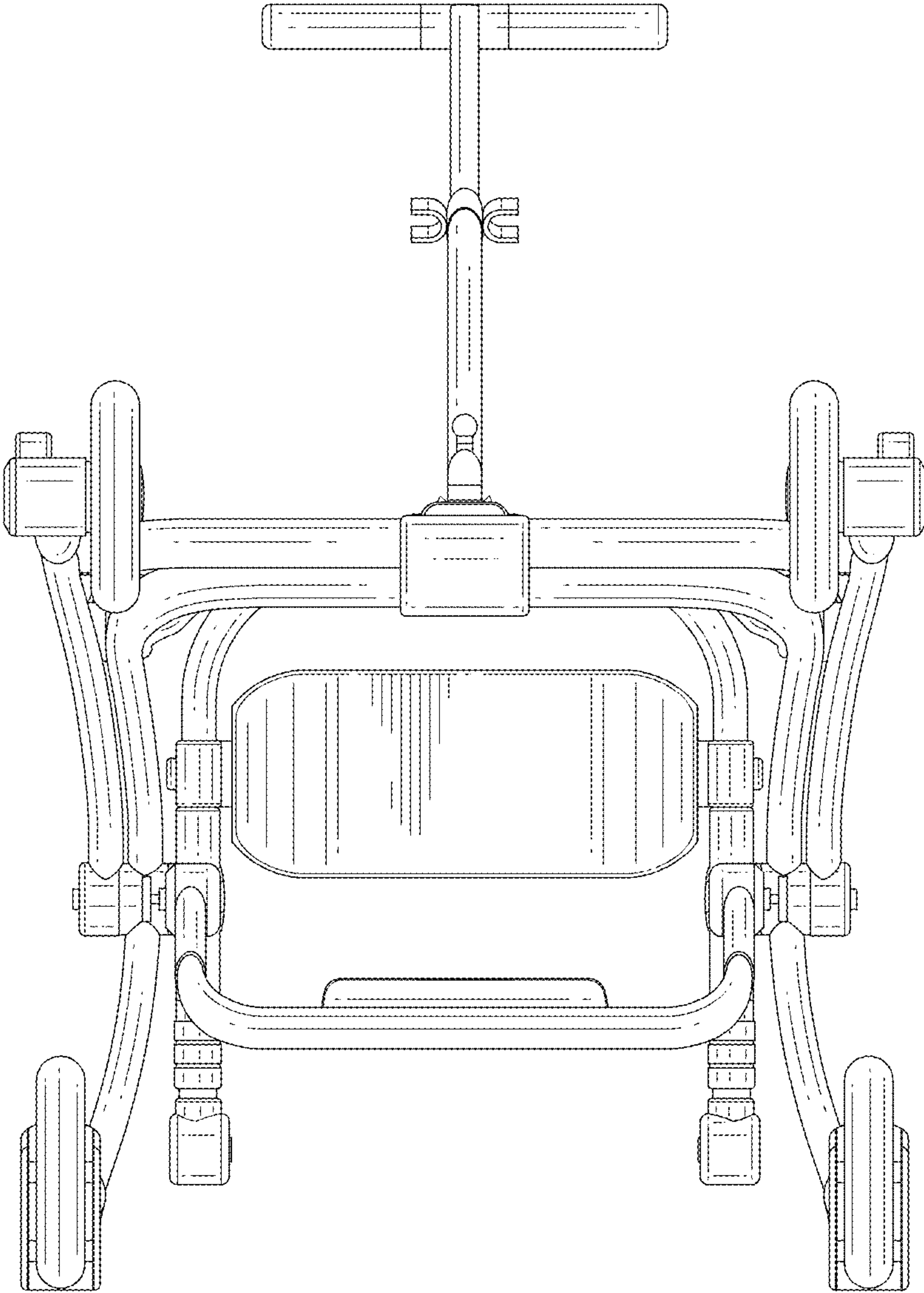


FIG. 7

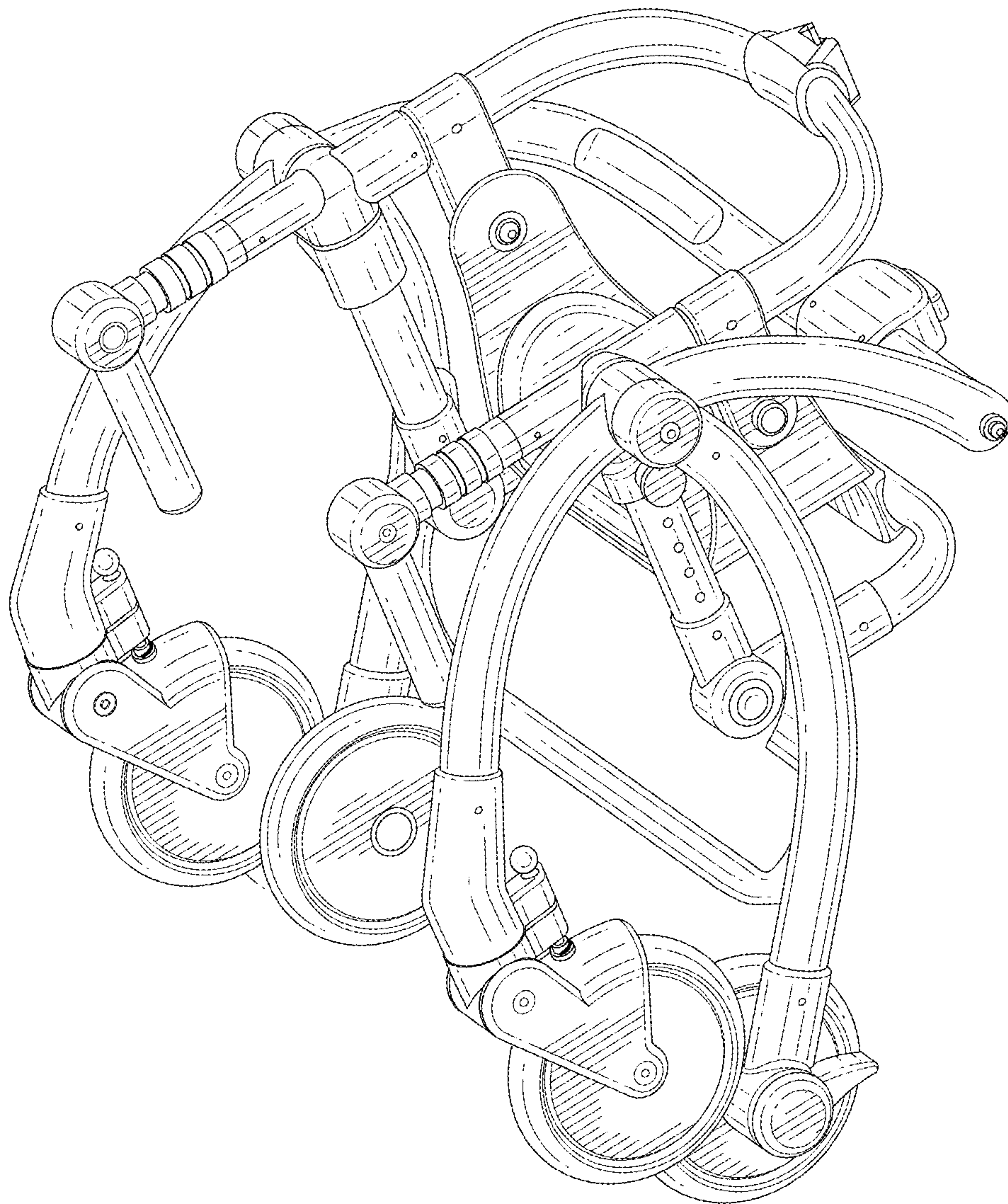


FIG. 8