



US00D976160S

(12) **United States Design Patent**  
**Buzov**

(10) **Patent No.:** **US D976,160 S**  
(45) **Date of Patent:** **\*\* Jan. 24, 2023**

- (54) **BICYCLE**
- (71) Applicant: **Alexander Buzov**, St.Giljan (MT)
- (72) Inventor: **Alexander Buzov**, St.Giljan (MT)
- (\*\*) Term: **15 Years**
- (21) Appl. No.: **29/769,085**
- (22) Filed: **Feb. 3, 2021**
- (51) **LOC (14) Cl.** ..... **12-11**
- (52) **U.S. Cl.**  
USPC ..... **D12/111**
- (58) **Field of Classification Search**  
USPC ..... D12/111, 117; D21/412, 414, 419,  
D21/423-428, 431-435  
CPC ..... B62K 3/00; B62K 3/02; B62K 3/06  
See application file for complete search history.

D814,361 S *	4/2018	Shi	.....	D12/111
D900,680 S *	11/2020	Chen	.....	D12/111
D914,548 S *	3/2021	Chen	.....	D12/111
D914,549 S *	3/2021	Chen	.....	D12/111
D925,404 S *	7/2021	Lin	.....	D12/111
D925,405 S *	7/2021	Lin	.....	D12/111
D928,668 S *	8/2021	Li	.....	D12/111
D929,269 S *	8/2021	Chen	.....	D12/111
D933,538 S *	10/2021	Chen	.....	D12/111
D934,120 S *	10/2021	Zhu	.....	D12/111
D934,124 S *	10/2021	Avery	.....	D12/111
D934,125 S *	10/2021	Avery	.....	D12/111
D934,126 S *	10/2021	Avery	.....	D12/111
D934,740 S *	11/2021	Avery	.....	D12/111
D948,384 S *	4/2022	Cai	.....	D12/111

\* cited by examiner

*Primary Examiner* — Darlington Ly  
(74) *Attorney, Agent, or Firm* — Nadya Reingand

(56) **References Cited**

U.S. PATENT DOCUMENTS

4,634,138 A *	1/1987	Fryer	.....	B62K 15/008 280/278
5,836,602 A *	11/1998	Wang	.....	B62K 15/008 280/278
6,267,401 B1 *	7/2001	De Jong	.....	B62K 15/008 280/287
D487,234 S *	3/2004	Chen	.....	D12/111
7,055,842 B1 *	6/2006	Lin	.....	B62K 15/008 292/164
7,156,409 B2 *	1/2007	Chuang	.....	B62K 15/006 280/281.1
D617,687 S *	6/2010	Brady	.....	D12/111
D654,403 S *	2/2012	Kyu	.....	D12/111
D756,264 S *	5/2016	Thompson	.....	D12/111
D807,232 S *	1/2018	Bailie	.....	D21/432
D807,233 S *	1/2018	Zhang	.....	D12/111

(57) **CLAIM**

The ornamental design for a bicycle, as shown and described.

**DESCRIPTION**

FIG. 1 is a front and left side perspective view of a bicycle embodying my new design;  
FIG. 2 is a front elevation view thereof;  
FIG. 3 is a top plan view thereof;  
FIG. 4 is a right side elevation view thereof;  
FIG. 5 is a left side elevation view thereof;  
FIG. 6 is a bottom plan view thereof;  
FIG. 7 is a rear elevation view thereof;  
FIG. 8 is a bottom and right side perspective view thereof;  
and,  
FIG. 9 is a top and left side perspective view thereof.

**1 Claim, 9 Drawing Sheets**



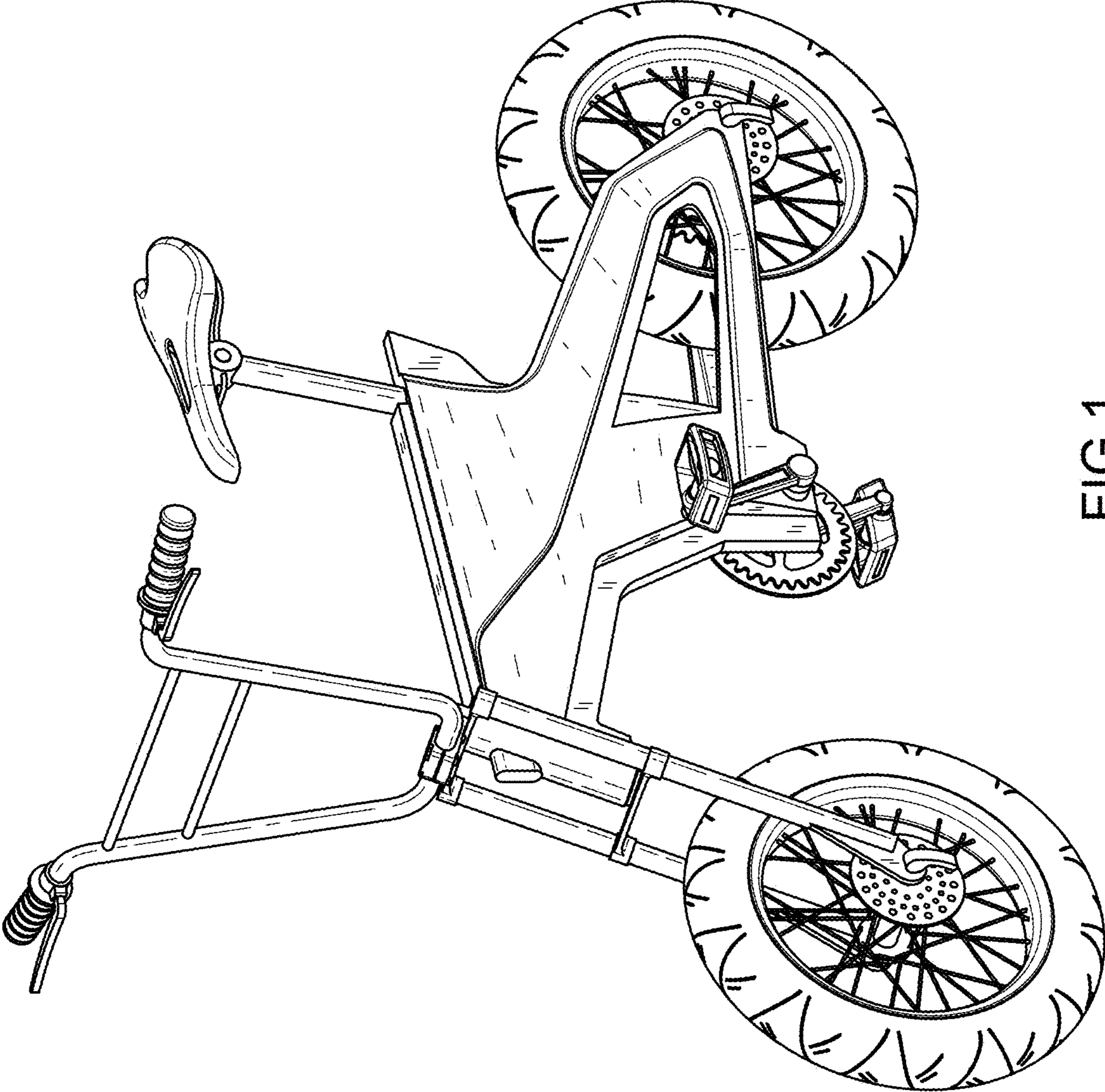


FIG.1

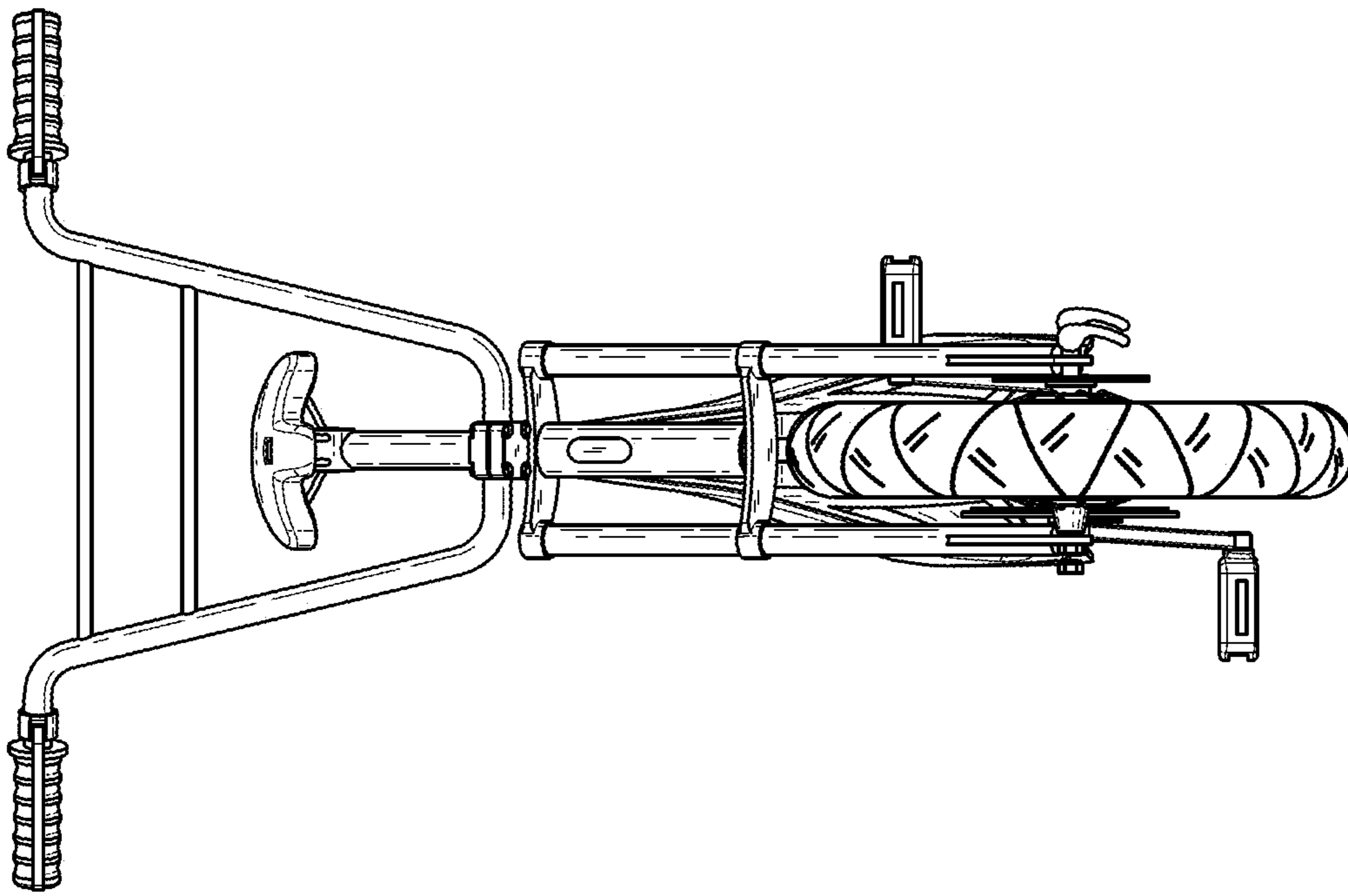


FIG.2

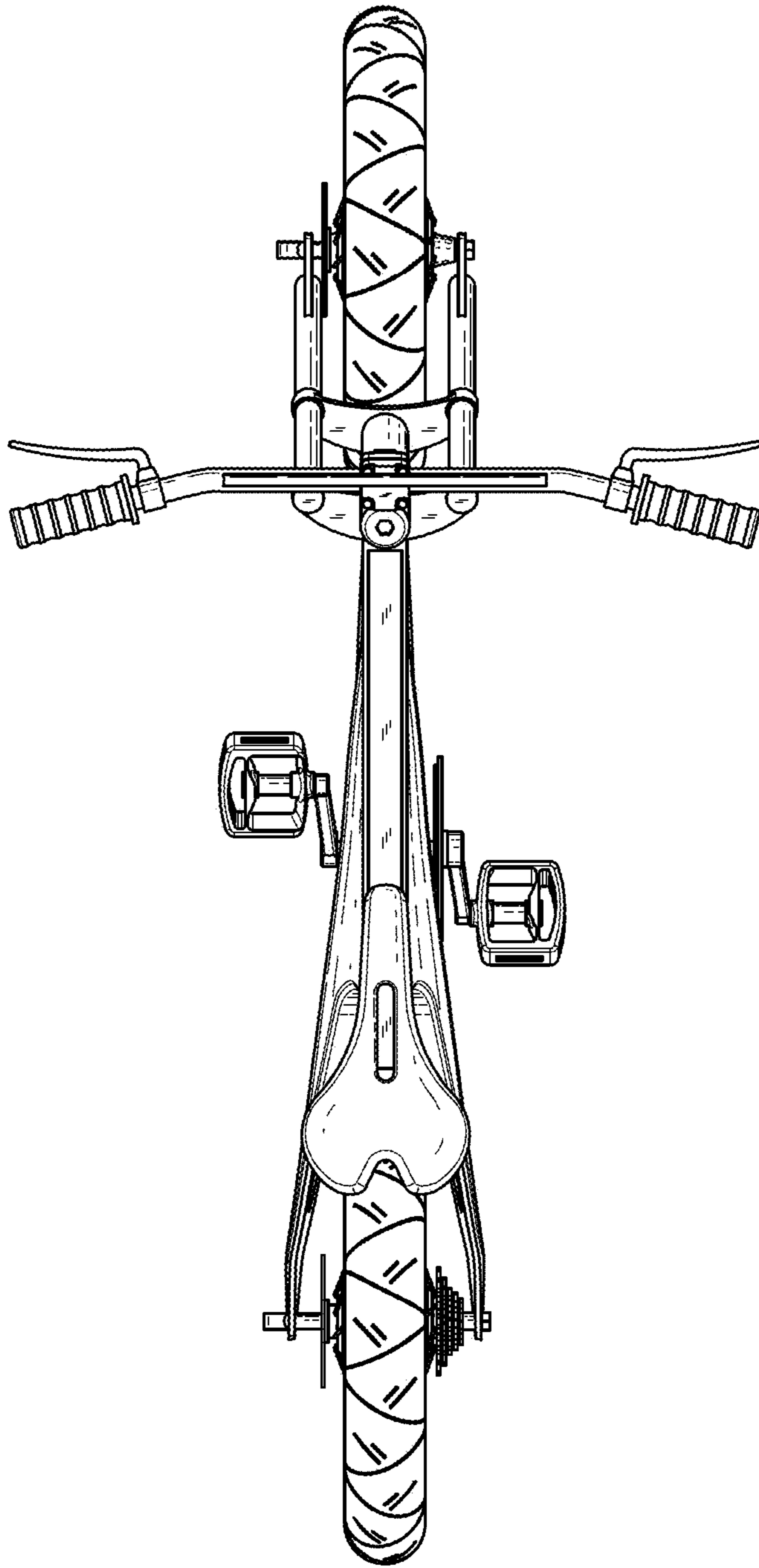


FIG.3

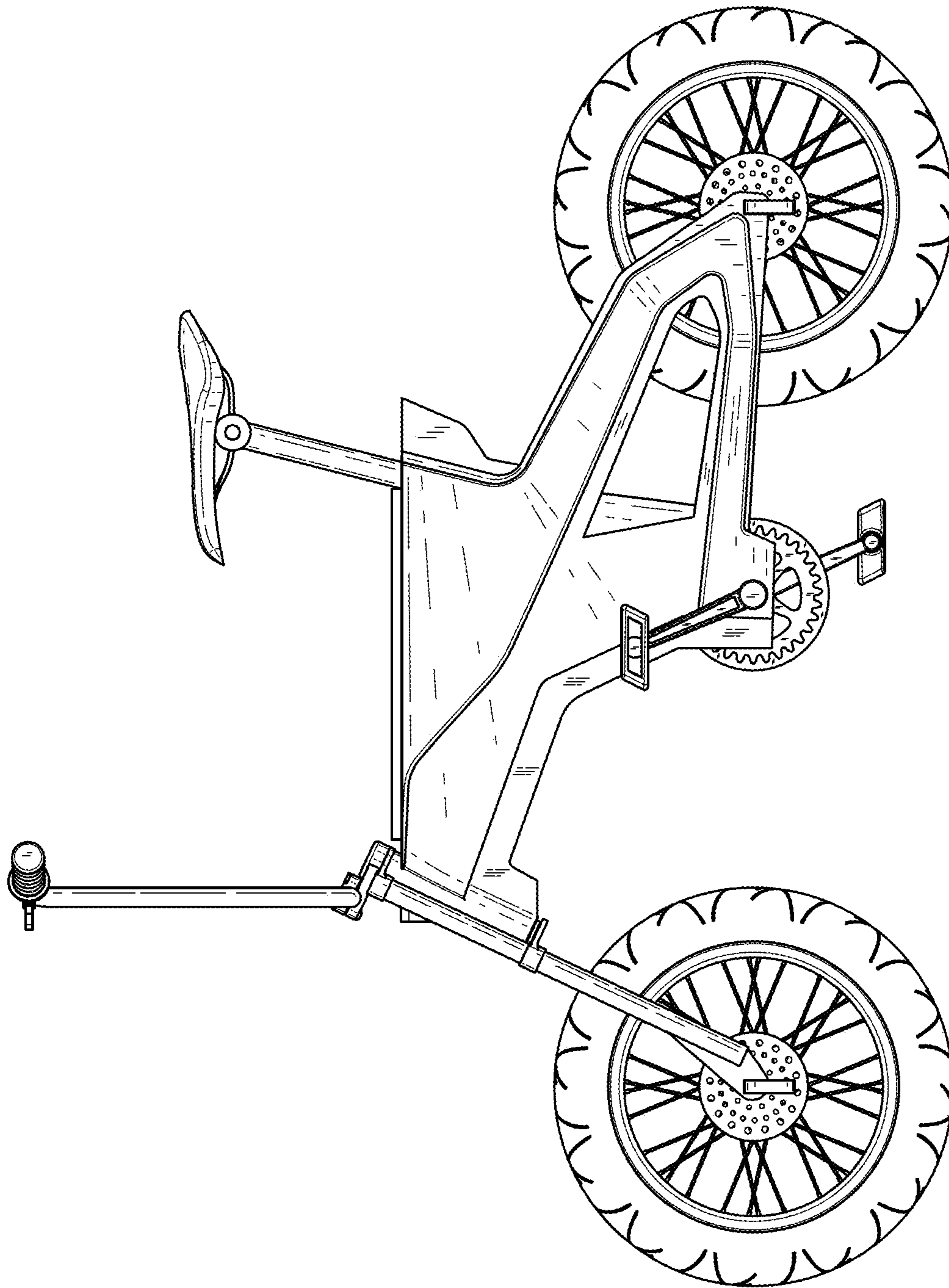


FIG.4

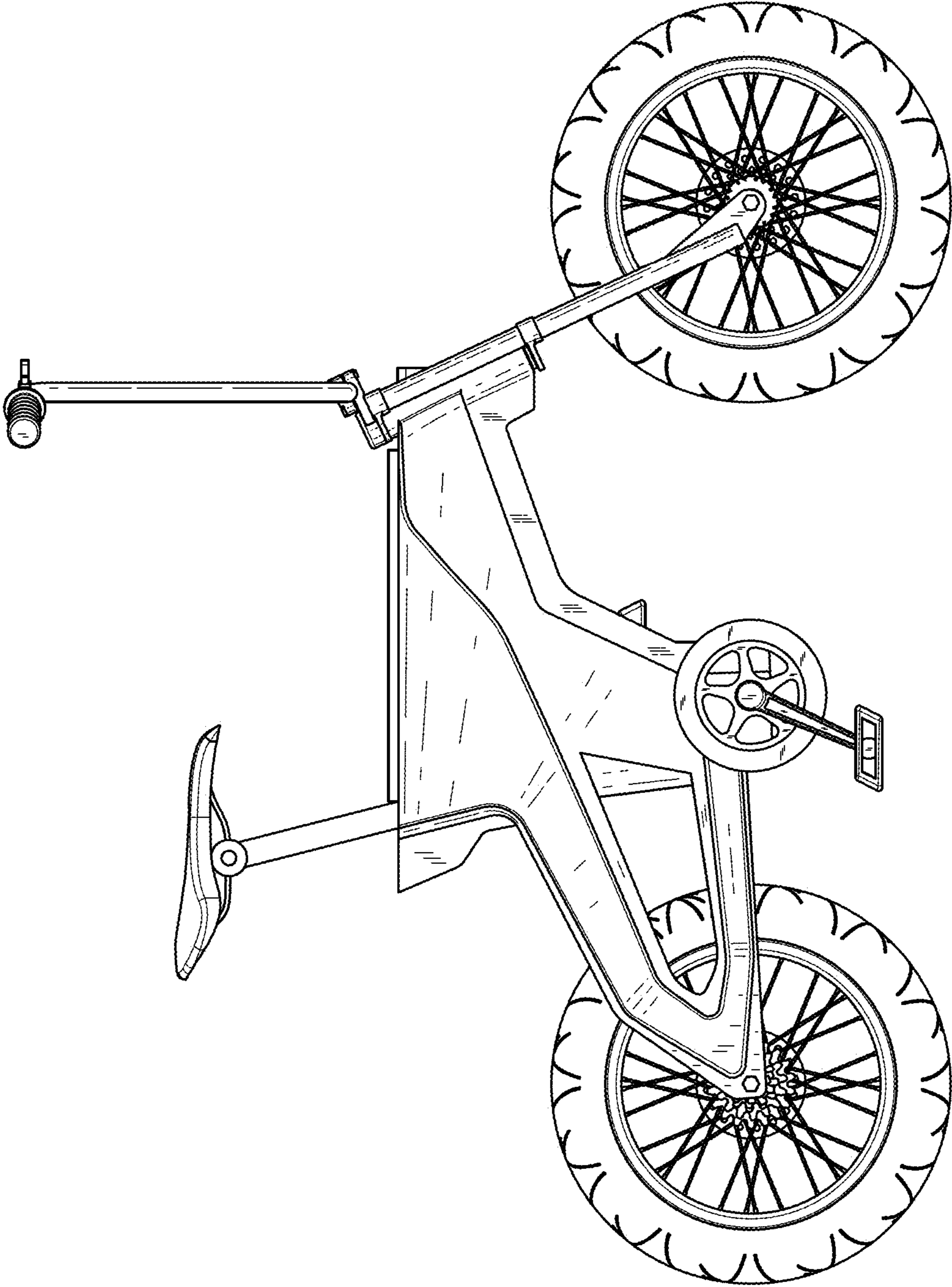


FIG.5

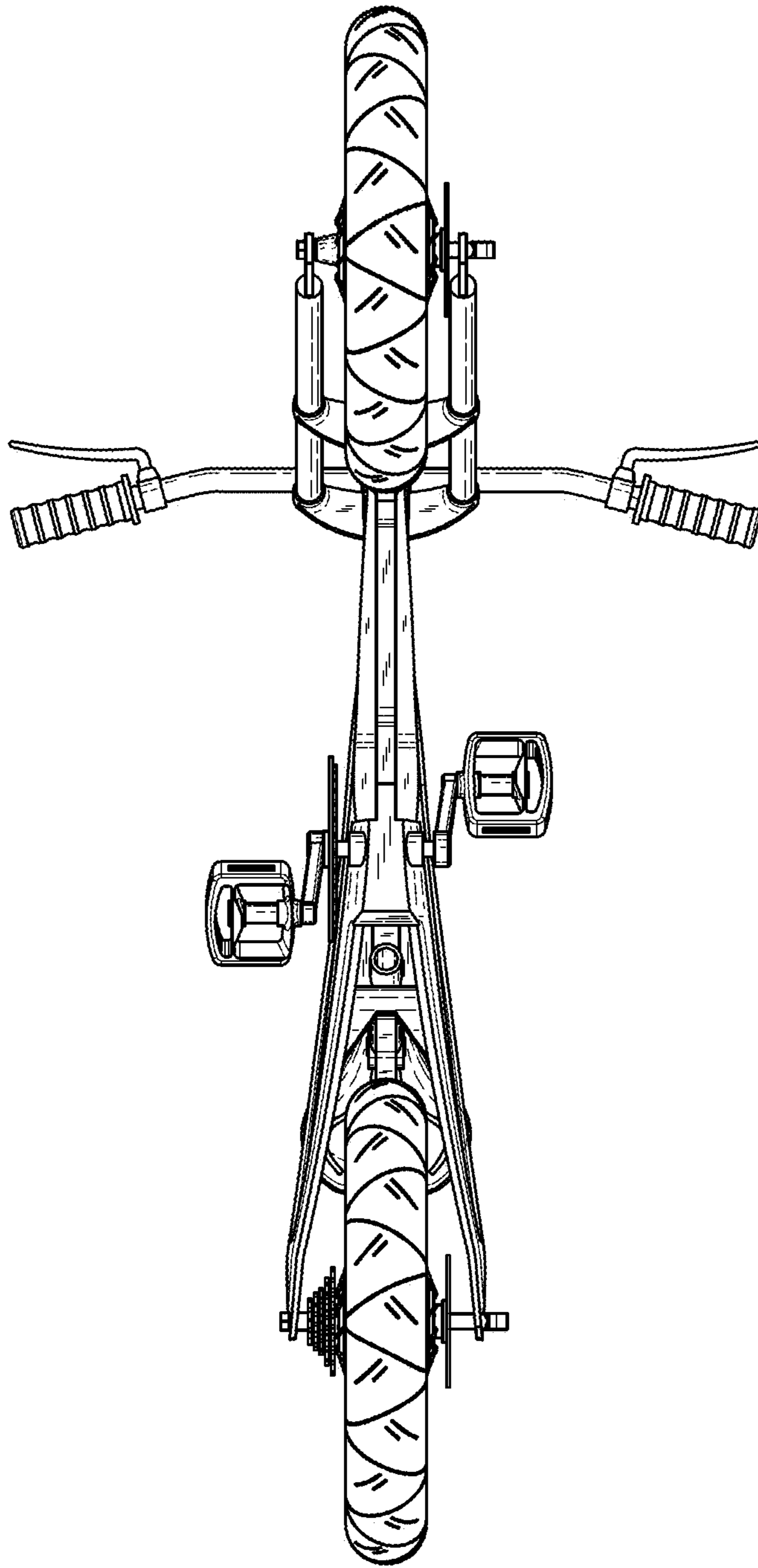


FIG.6

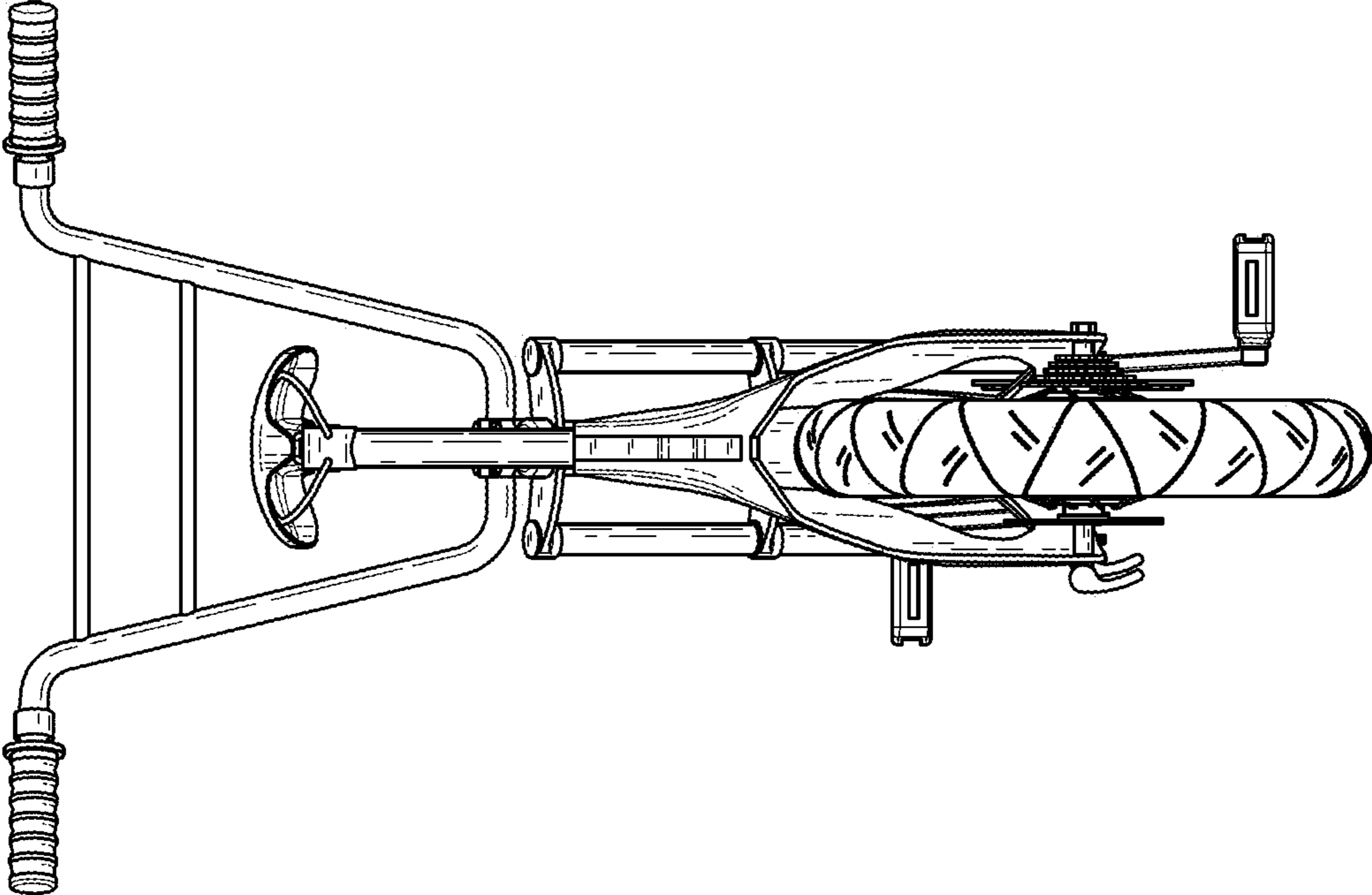


FIG.7



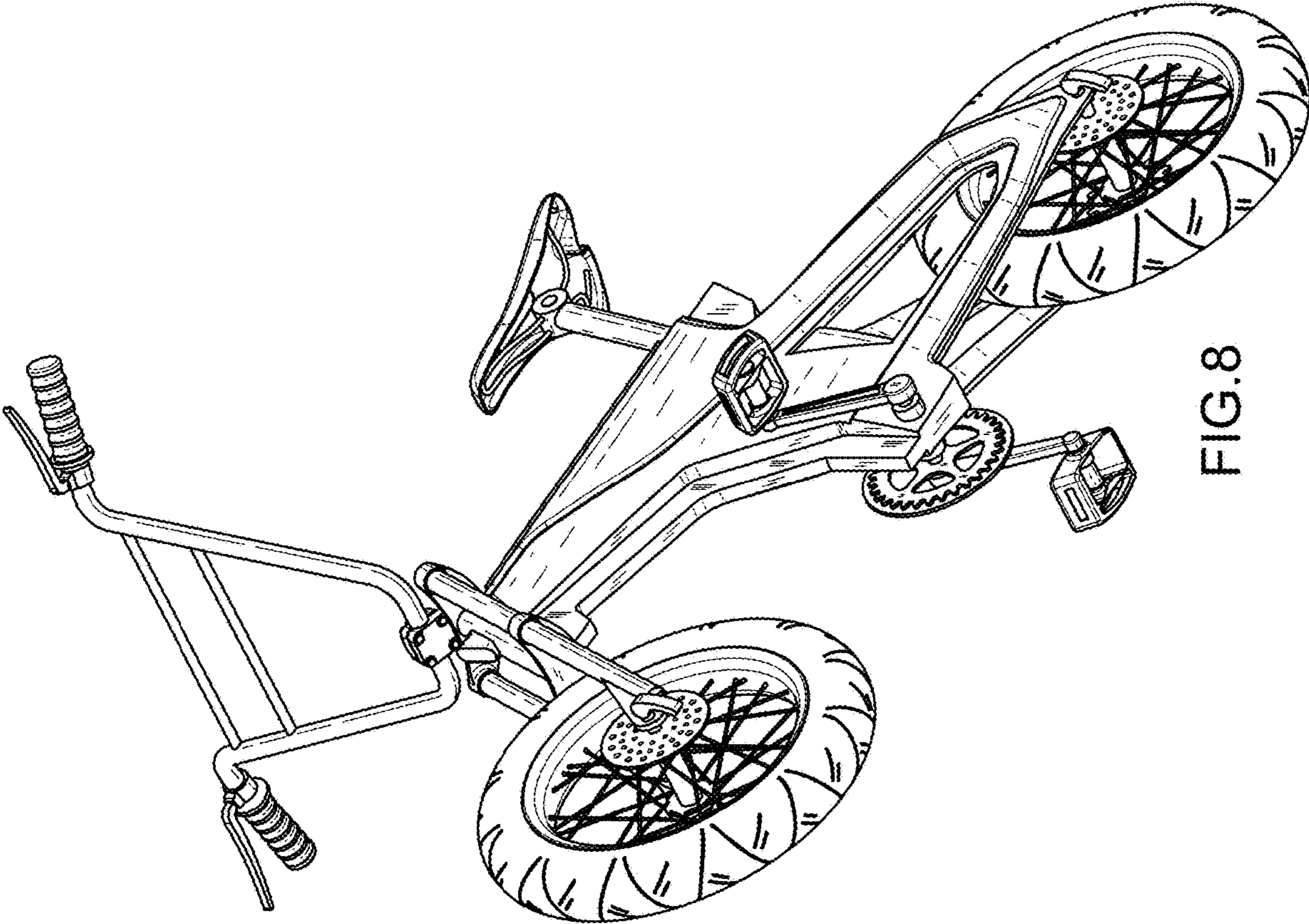


FIG. 8

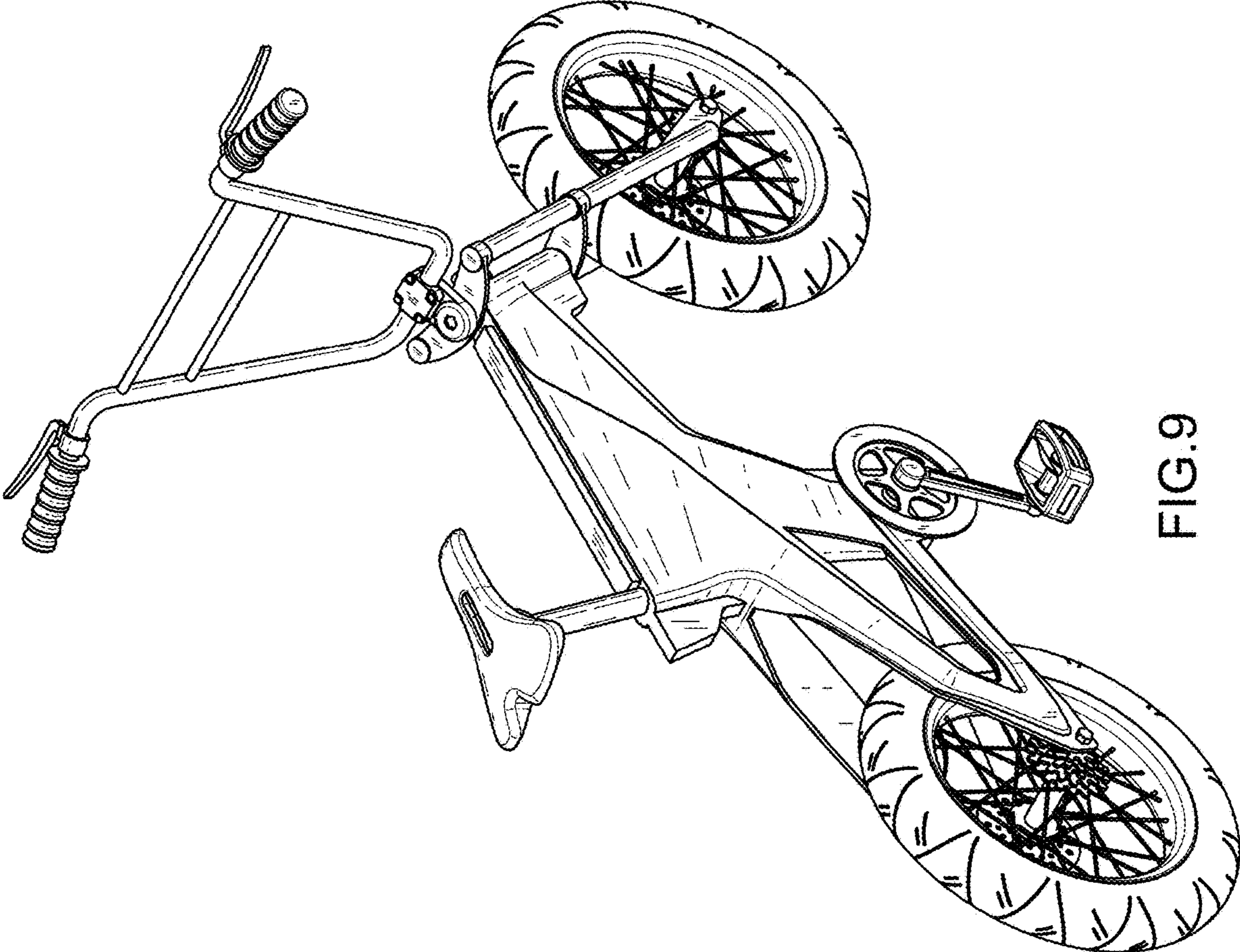


FIG. 9