



US00D976157S

(12) **United States Design Patent** (10) **Patent No.:** **US D976,157 S**
Nam (45) **Date of Patent:** **** Jan. 24, 2023**

(54) **METAL CORE FOR RUBBER TRACK**
(71) Applicant: **DRB INDUSTRIAL CO., LTD.**, Busan (KR)
(72) Inventor: **YoonTae Nam**, Busan (KR)
(73) Assignee: **DRB INDUSTRIAL CO., LTD.**, Busan (KR)

10,774,935 B2 * 9/2020 Hoogendoorn E03C 1/04
D906,947 S * 1/2021 Sprowl D12/544
11,001,318 B2 * 5/2021 Nam B62D 55/26
D947,753 S * 4/2022 Min D12/565
2014/0182231 A1 * 7/2014 Sucato E04C 3/08
52/633
2014/0265754 A1 * 9/2014 Patterson A47B 87/005
312/111

(Continued)

(**) Term: **15 Years**
(21) Appl. No.: **29/723,567**

(22) Filed: **Feb. 7, 2020**
(51) **LOC (14) Cl.** **12-14**
(52) **U.S. Cl.**
USPC **D12/7**
(58) **Field of Classification Search**
USPC D15/28; D12/7-10, 28, 608; D2/951,
D2/960
CPC B62D 55/24; B62D 55/26; B62D 55/18
See application file for complete search history.

OTHER PUBLICATIONS

2pc Rubber Track 230x48x70 Kubota RX, Apr. 2, 2021, amazon.com, Sep. 27, 2022, URL: <https://www.amazon.com/Rubber-Track-230x48x70-KX019-4-Excavator/dp/B086P4X78M/> (Year: 2022).*

Primary Examiner — Keith J Wilson
(74) Attorney, Agent, or Firm — Novick, Kim & Lee PLLC; Jae Youn Kim

(57) **CLAIM**

I claim the ornamental design for a metal core for rubber track, as shown and described.

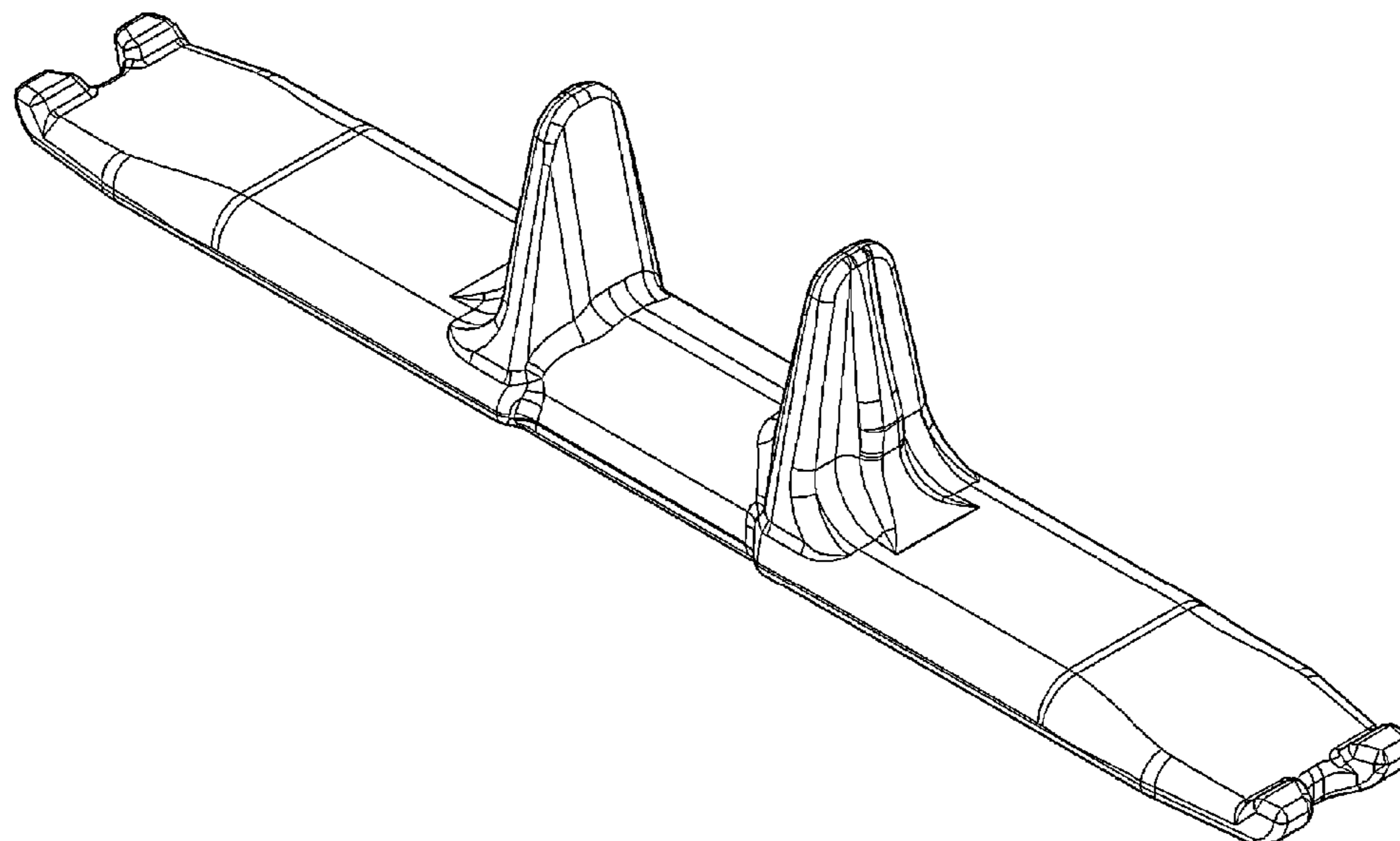
DESCRIPTION

FIG. 1 is a front perspective view of a metal core for rubber track, showing my new design;
FIG. 2 is a front elevational view thereof;
FIG. 3 is a rear elevational view thereof;
FIG. 4 is a left side elevational view thereof;
FIG. 5 is a right side elevational view thereof;
FIG. 6 is a top plan view thereof;
FIG. 7 is a bottom plan view thereof; and,
FIG. 8 is a bottom perspective view thereof.

One exemplary use of the metal core for rubber track embodying the ornamental design shown or described herein is for use in a heavy agricultural equipment or machine in which one or more of the metal core is fitted with rubber tracks and forms a continuous loop.

1 Claim, 5 Drawing Sheets

(56) **References Cited**
U.S. PATENT DOCUMENTS
D376,996 S * 12/1996 Soucy D12/7
D389,432 S * 1/1998 Dandurand D12/7
D389,433 S * 1/1998 Dandurand D12/7
D389,435 S * 1/1998 Dandurand D12/7
D394,615 S * 5/1998 Dandurand D12/7
D408,326 S * 4/1999 Dandurand D12/7
D408,327 S * 4/1999 Dandurand D12/7
6,557,953 B1 * 5/2003 Kahle B62D 49/0635
305/130
D603,880 S * 11/2009 Brazier D15/28
D636,793 S * 4/2011 Vladimirovich D15/28
D639,313 S * 6/2011 Vladimirovich D15/28
D653,681 S * 2/2012 Degtyarev D15/28
9,452,796 B2 * 9/2016 Franck B62D 55/14
D768,033 S * 10/2016 Degtyarev D15/28
D768,034 S * 10/2016 Degtyarev D15/28



(56)

References Cited

U.S. PATENT DOCUMENTS

2016/0362151 A1* 12/2016 Jee B62D 55/244
2019/0143757 A1* 5/2019 Fredenburg B60C 11/04
152/209.12

* cited by examiner

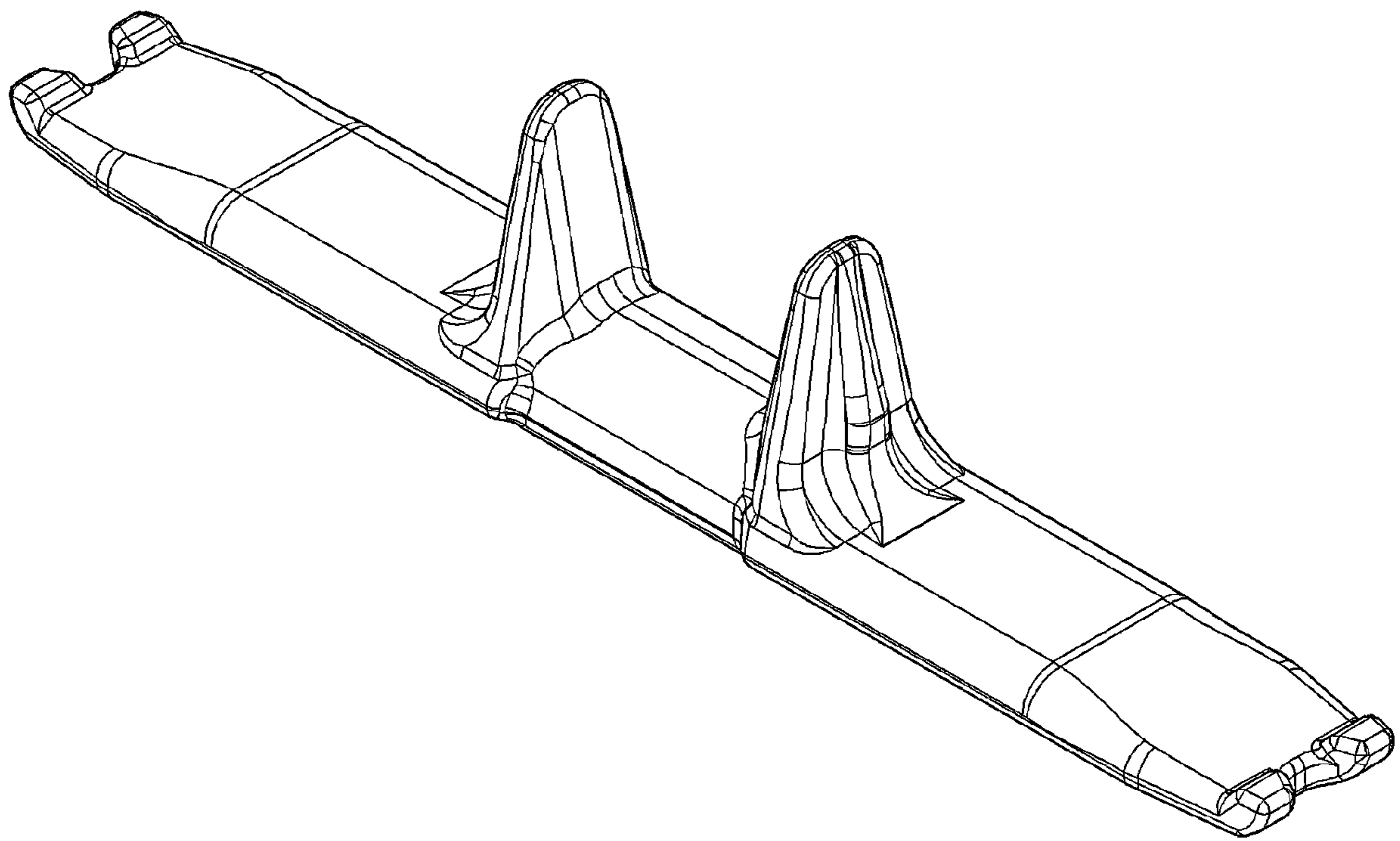


FIG. 1

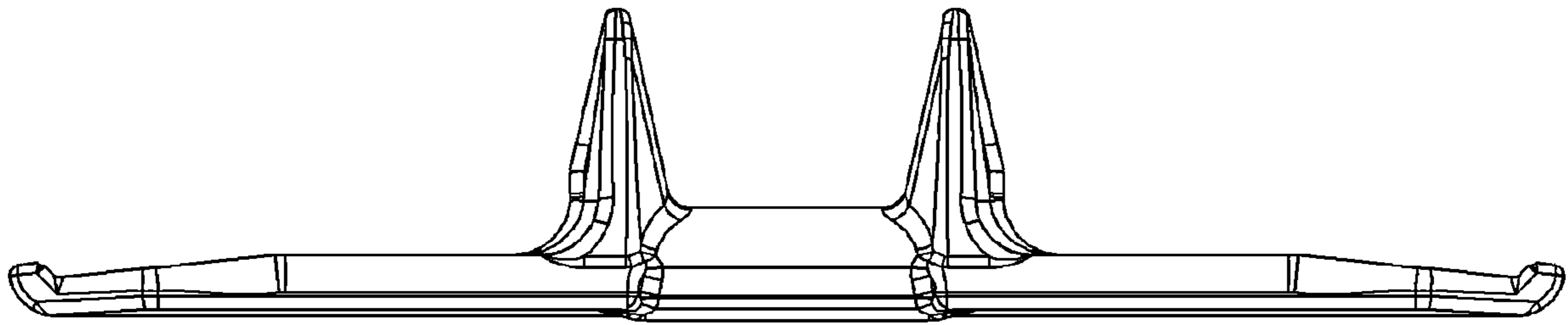


FIG. 2

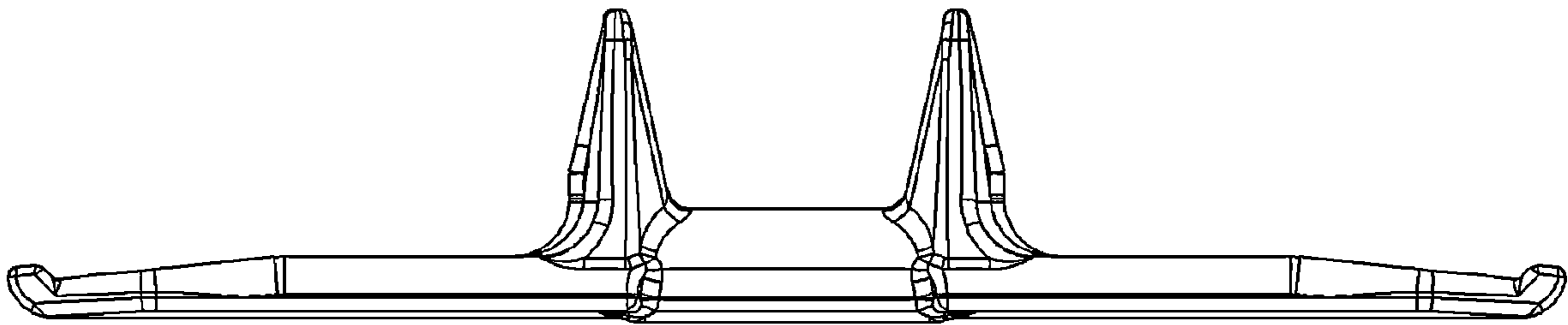


FIG. 3

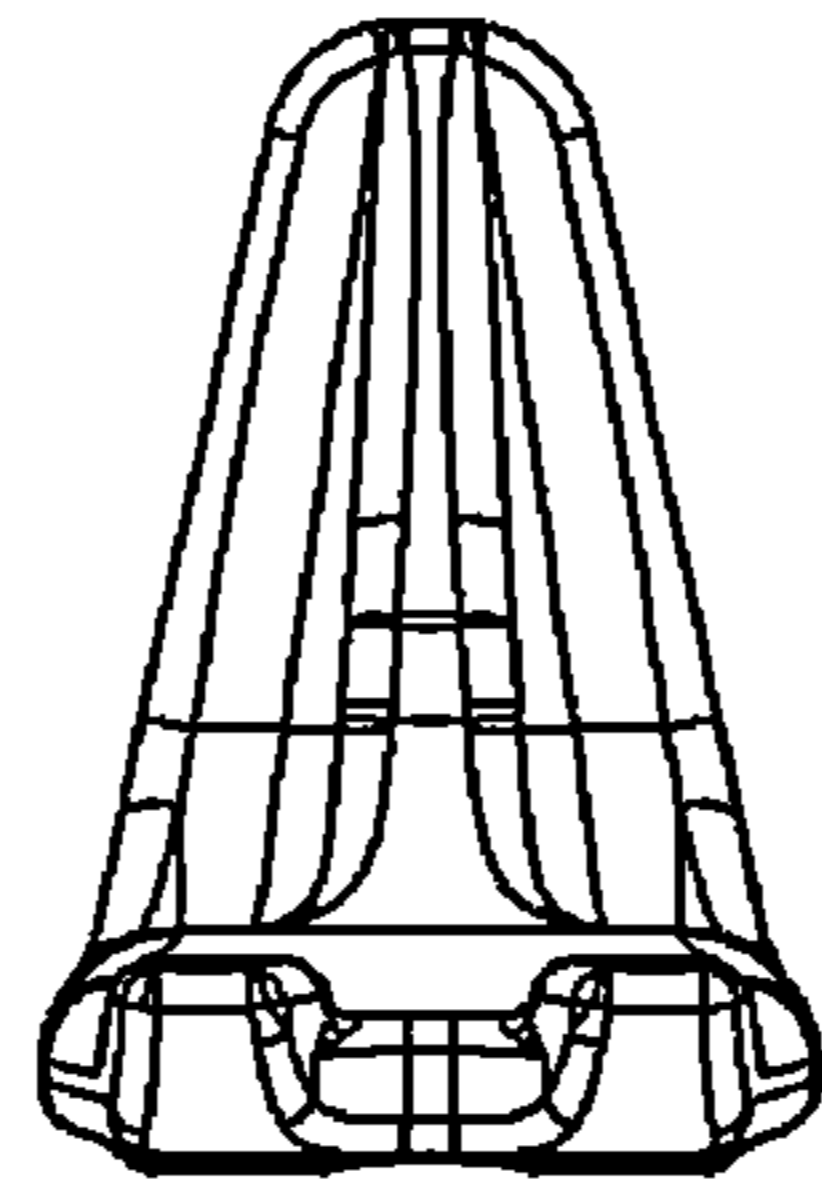


FIG. 4

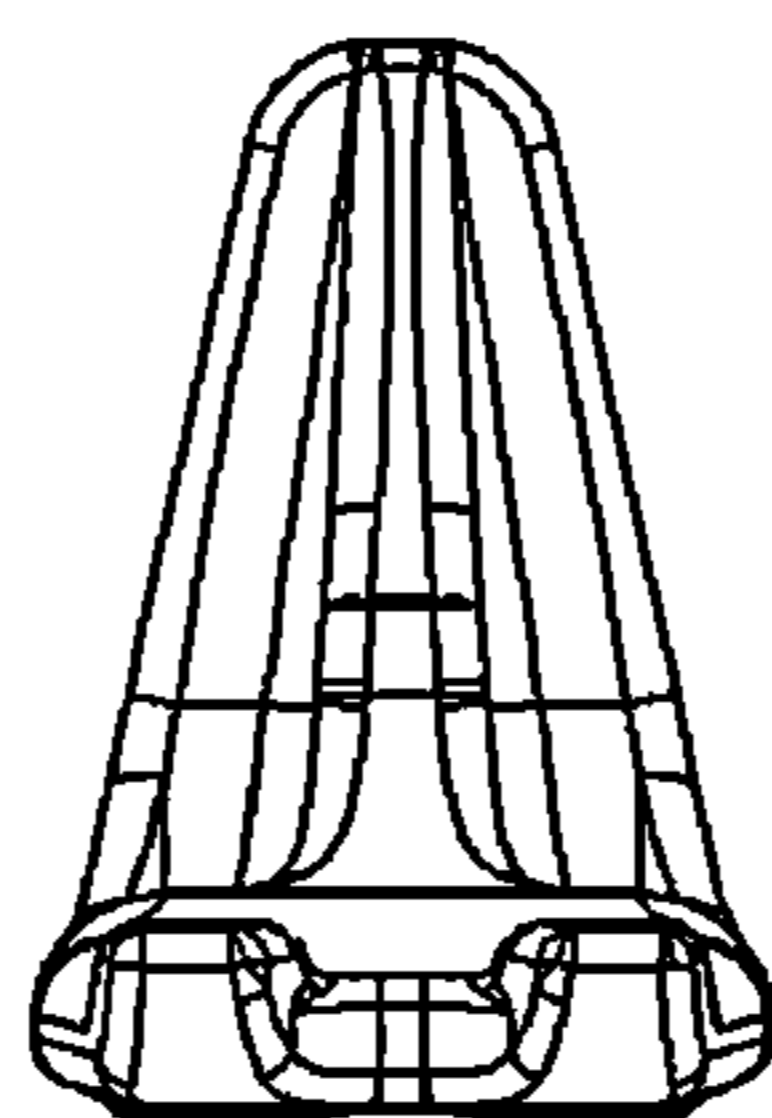


FIG. 5

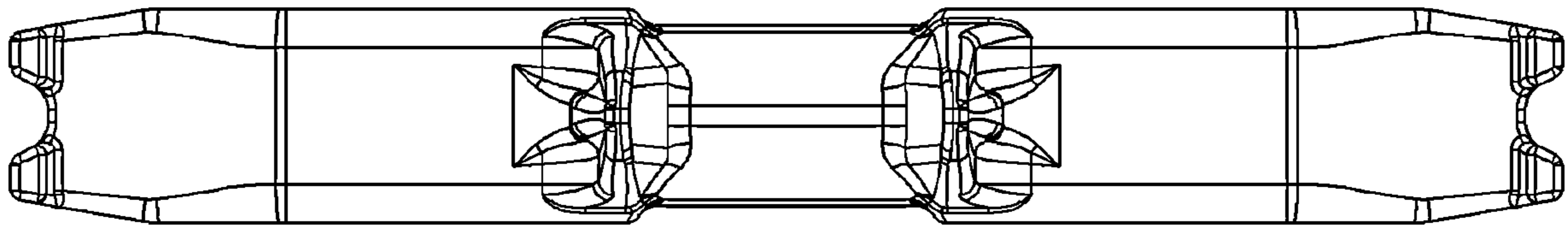


FIG. 6



FIG. 7

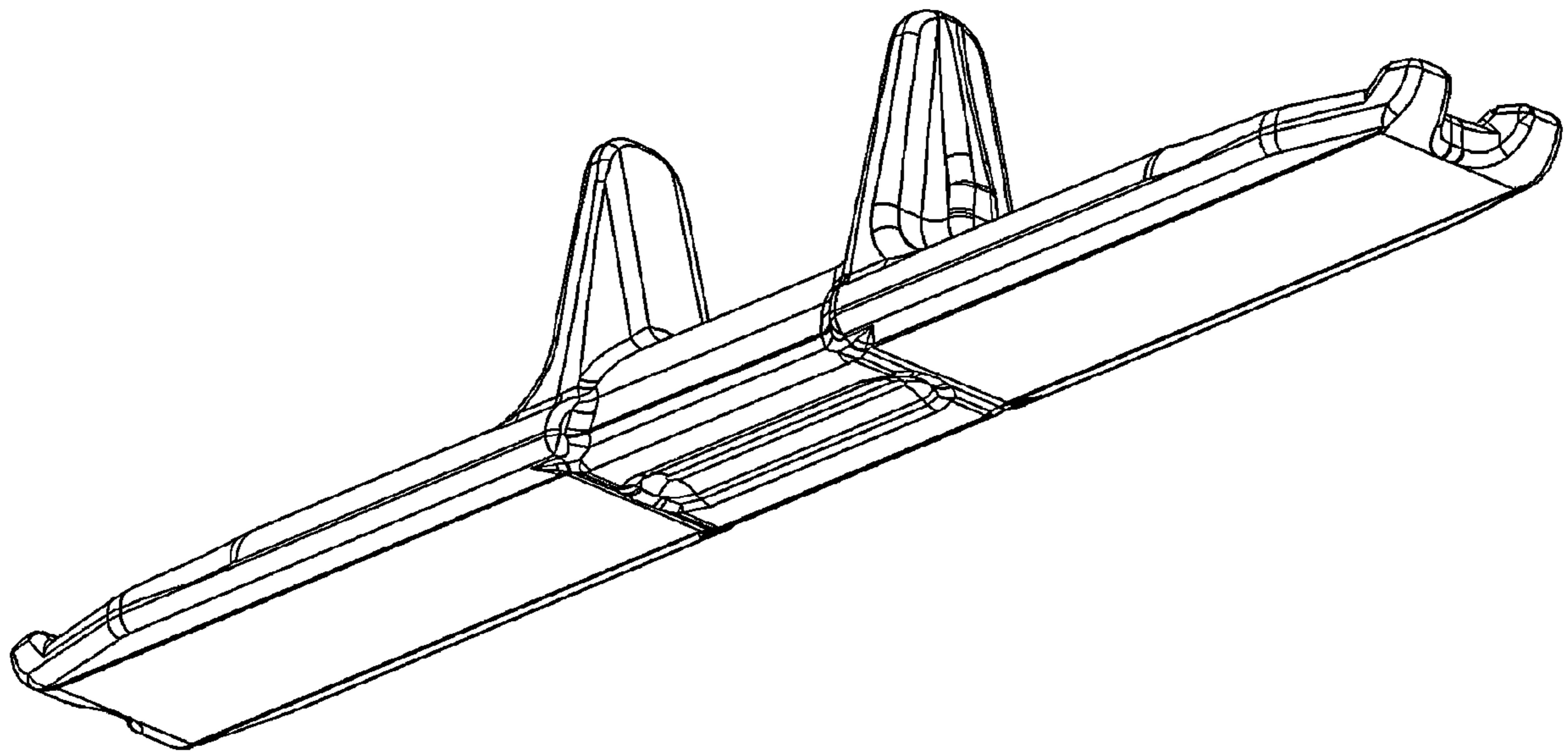


FIG. 8