



US00D976141S

(12) **United States Design Patent**  
**Friedli**

(10) **Patent No.:** **US D976,141 S**  
(45) **Date of Patent:** **\*\* Jan. 24, 2023**

(54) **ELEVATOR CALL INPUT DEVICE**

FOREIGN PATENT DOCUMENTS

(71) Applicant: **INVENTIO AG**, Hergiswil (CH)

CN 202030358258.5 \* 3/2021

(72) Inventor: **Tobias Friedli**, Wettingerstrasse (CH)

*Primary Examiner* — Joseph Kukella  
*Assistant Examiner* — Heather A Wencil

(73) Assignee: **INVENTIO AG**, Hergiswil (CH)

(74) *Attorney, Agent, or Firm* — Knobbe Martens Olson & Bear LLP

(\*\*) Term: **15 Years**

(57) **CLAIM**

(21) Appl. No.: **29/748,999**

The ornamental design for an elevator call input device, as shown and described.

(22) Filed: **Sep. 2, 2020**

**DESCRIPTION**

(30) **Foreign Application Priority Data**

Mar. 11, 2020 (CH) ..... 145227

(51) **LOC (14) Cl.** ..... **10-05**

(52) **U.S. Cl.**  
USPC ..... **D10/108**

(58) **Field of Classification Search**  
USPC .... D10/106.95, 108, 118.2; D13/162, 162.1,  
D13/164, 170, 171, 174, 175, 177;  
D14/371, 383, 388, 389, 390, 396, 397,  
D14/398, 399; D18/6, 7  
CPC .. B66B 1/00; B66B 1/466; B66B 3/00; B66B  
3/02; B66B 5/00; B66B 7/00; B66B  
13/00; B66B 13/30; B66B 13/306; B66B  
25/00; B66B 2201/00

See application file for complete search history.

FIG. 1 is a perspective view of a first embodiment of an elevator call input device embodying the new design.  
FIG. 2 is a front view thereof.  
FIG. 3 is a back view thereof.  
FIG. 4 is a right side view thereof.  
FIG. 5 is a left side view thereof.  
FIG. 6 is a bottom view thereof.  
FIG. 7 is a top view thereof.  
FIG. 8 is a perspective view of a second embodiment of an elevator call input device embodying the new design.  
FIG. 9 is a front view thereof.  
FIG. 10 is a back view thereof.  
FIG. 11 is a right side view thereof.  
FIG. 12 is a left side view thereof.  
FIG. 13 is a bottom view thereof.  
FIG. 14 is a top view thereof.  
FIG. 15 is a perspective view of a third embodiment of an elevator call input device embodying the new design.  
FIG. 16 is a front view thereof.  
FIG. 17 is a back view thereof.  
FIG. 18 is a right side view thereof.  
FIG. 19 is a left side view thereof.  
FIG. 20 is a bottom view thereof; and,  
FIG. 21 is a top view thereof.

Broken lines are used to illustrate features of the elevator call input device that form no part of the claimed design.

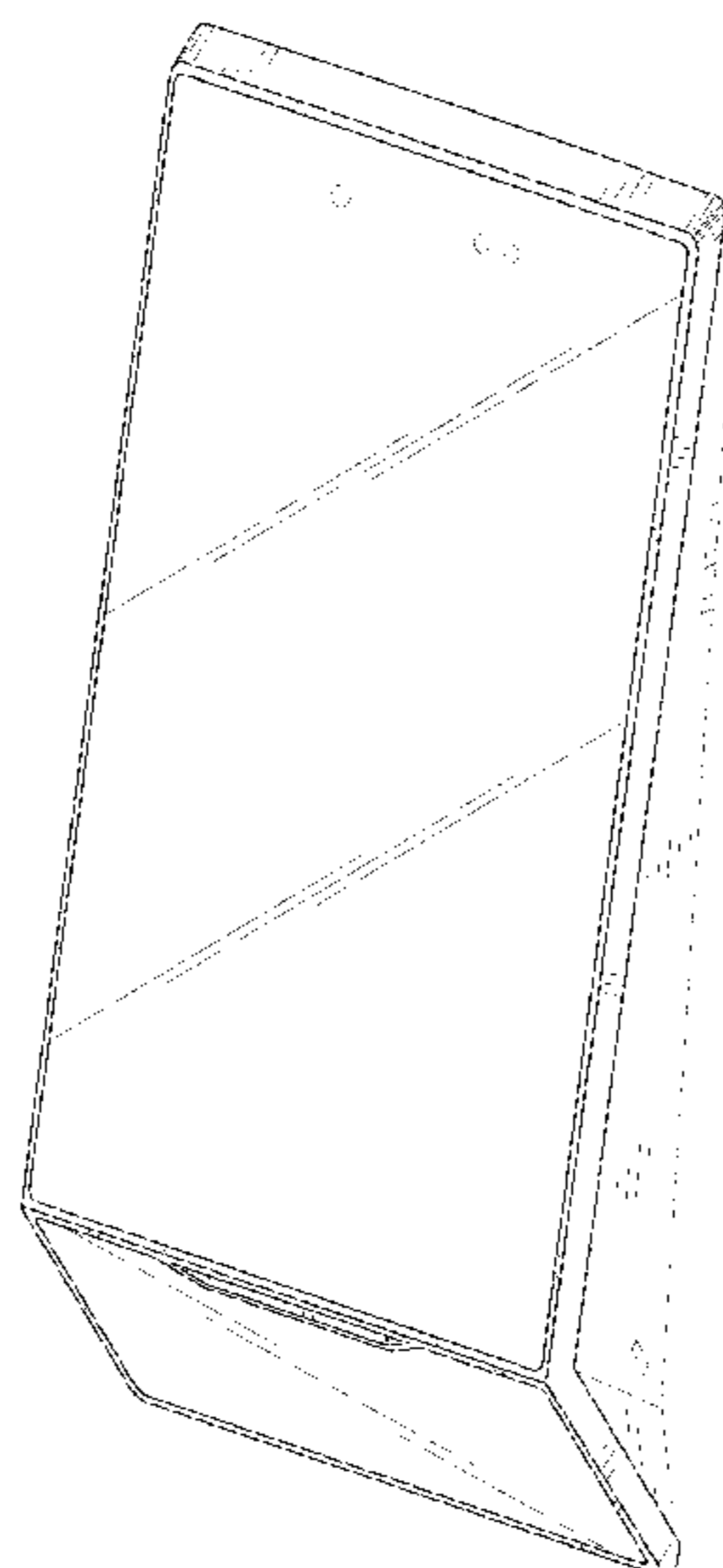
(56) **References Cited**

U.S. PATENT DOCUMENTS

D289,291 S \* 4/1987 Kapper ..... D14/389  
D589,531 S \* 3/2009 Fullerton ..... D14/496  
D589,829 S \* 4/2009 Friedli ..... D10/108  
D589,831 S \* 4/2009 Friedli ..... D10/108  
D601,052 S \* 9/2009 Friedli ..... D10/108  
D626,550 S \* 11/2010 Julien ..... D14/341  
D662,002 S \* 6/2012 Lee ..... D10/108  
D781,736 S \* 3/2017 Friedli ..... D10/108

(Continued)

**1 Claim, 21 Drawing Sheets**



(56)

**References Cited**

U.S. PATENT DOCUMENTS

D877,636 S \* 3/2020 Haag ..... D10/98  
D902,918 S \* 11/2020 Friedli ..... D14/307  
D909,469 S \* 2/2021 Watanabe ..... D18/4.6  
D937,203 S \* 11/2021 Leabman ..... D13/108  
D946,649 S \* 3/2022 Wang ..... D18/4.6

\* cited by examiner

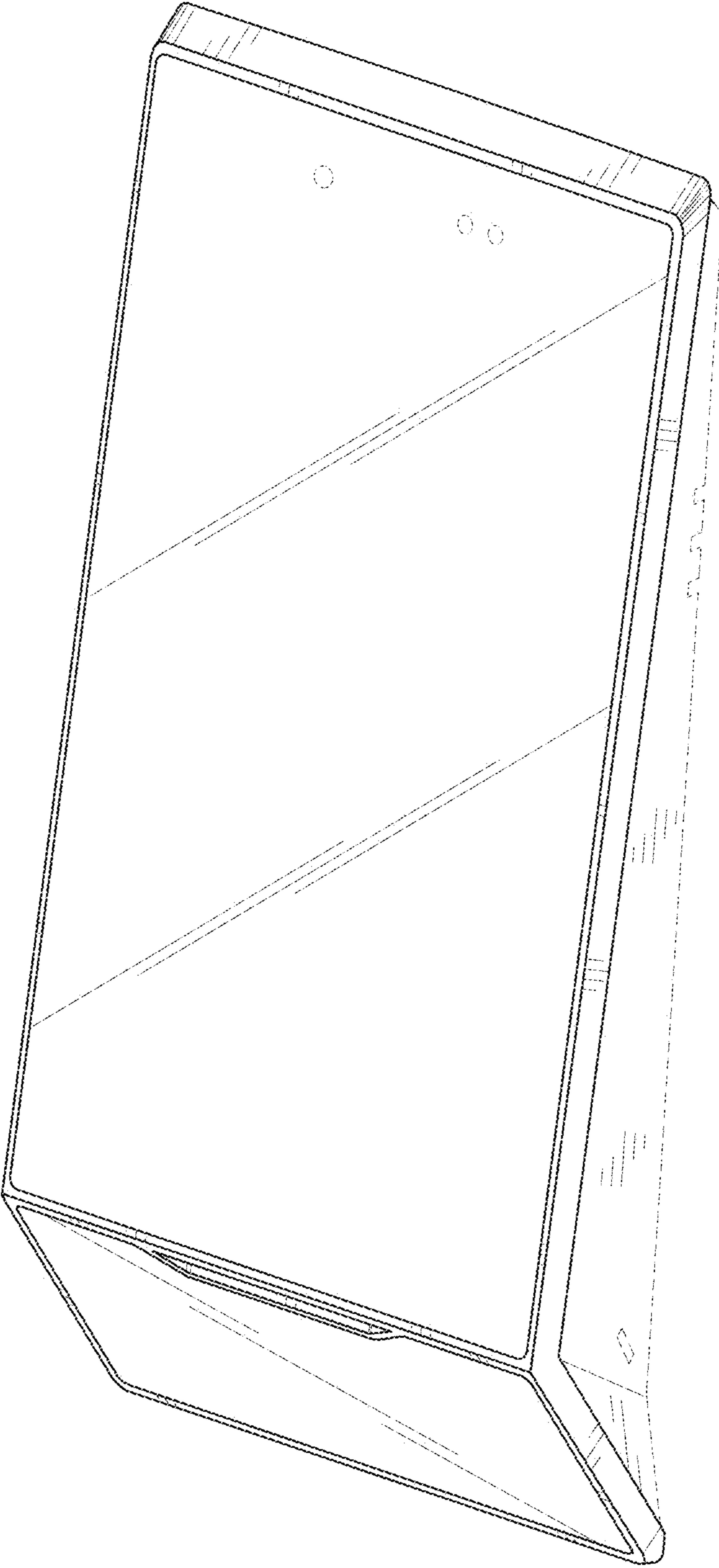


FIG. 1

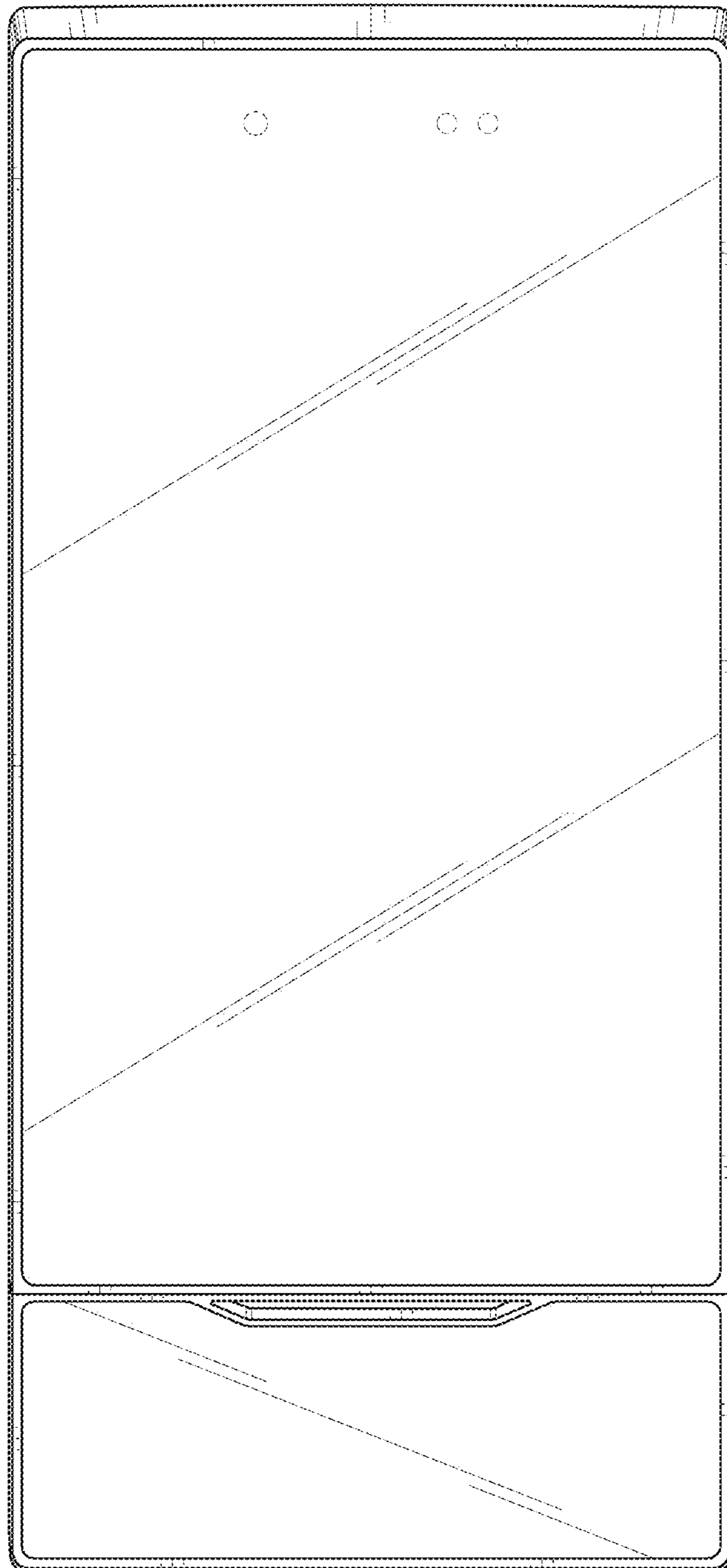


FIG. 2

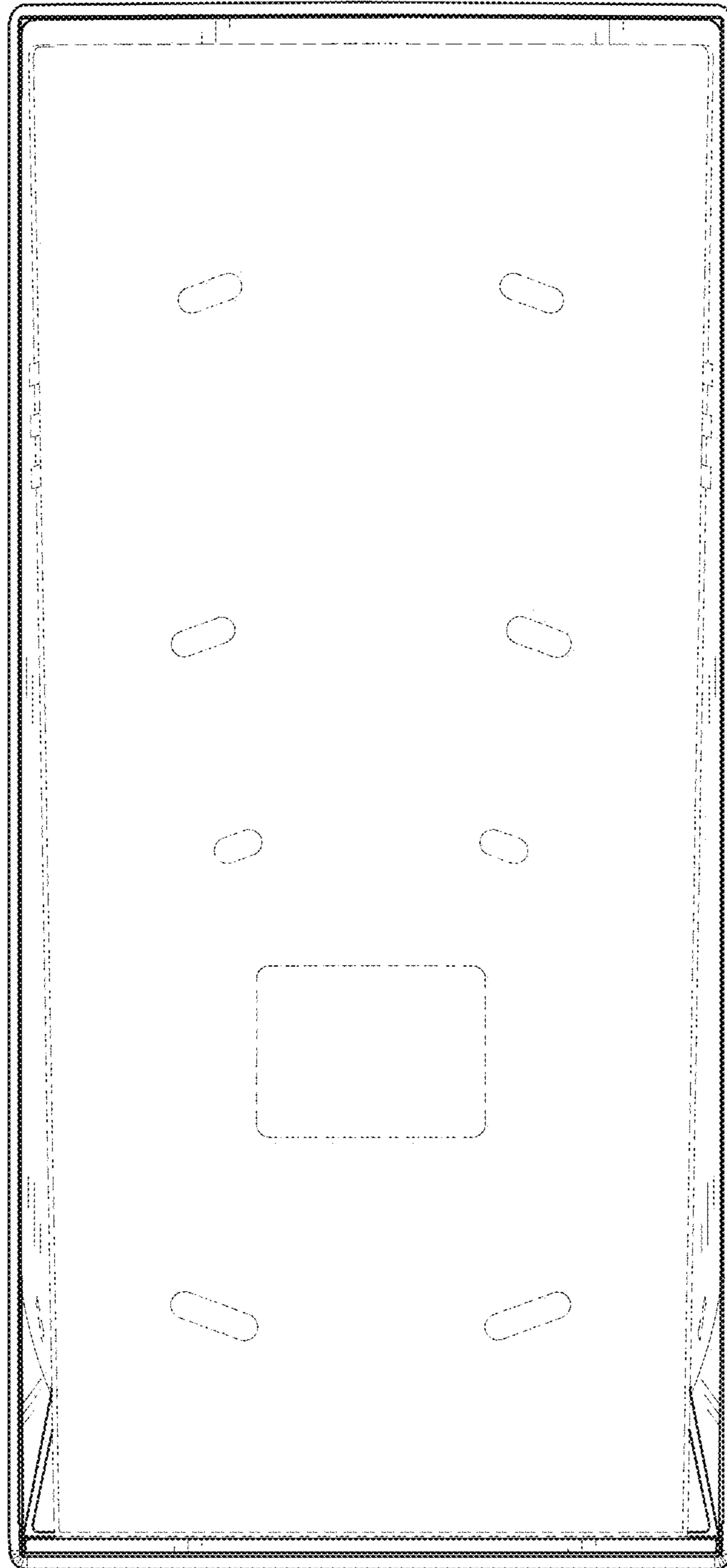


FIG. 3

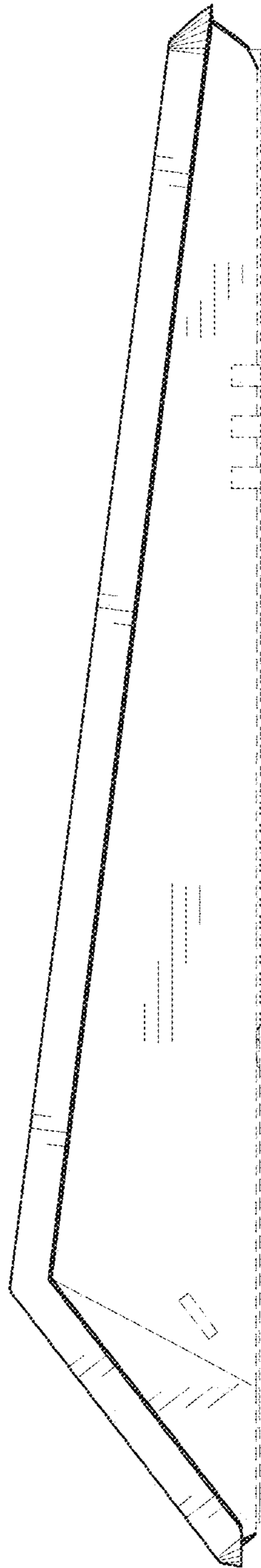


FIG. 4

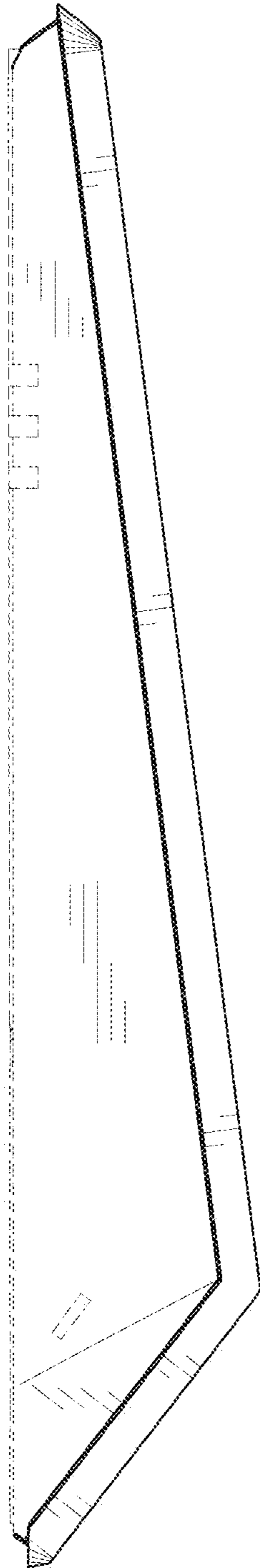


FIG. 5

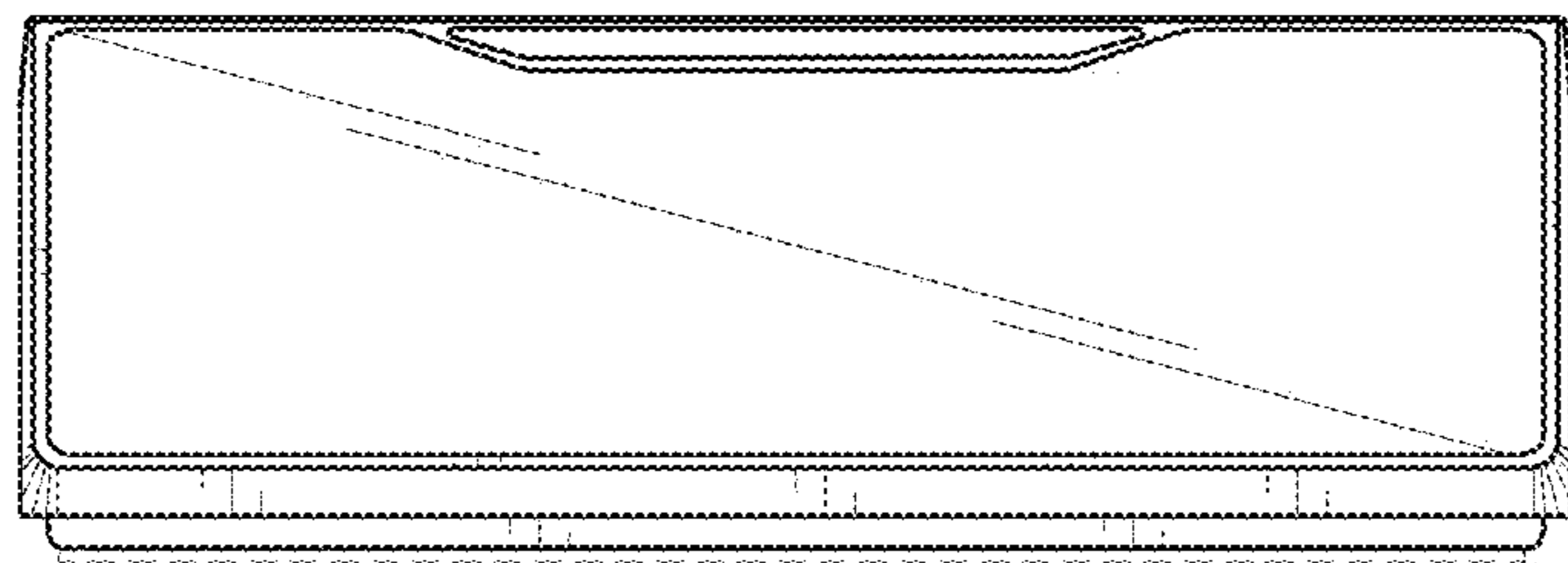


FIG. 6



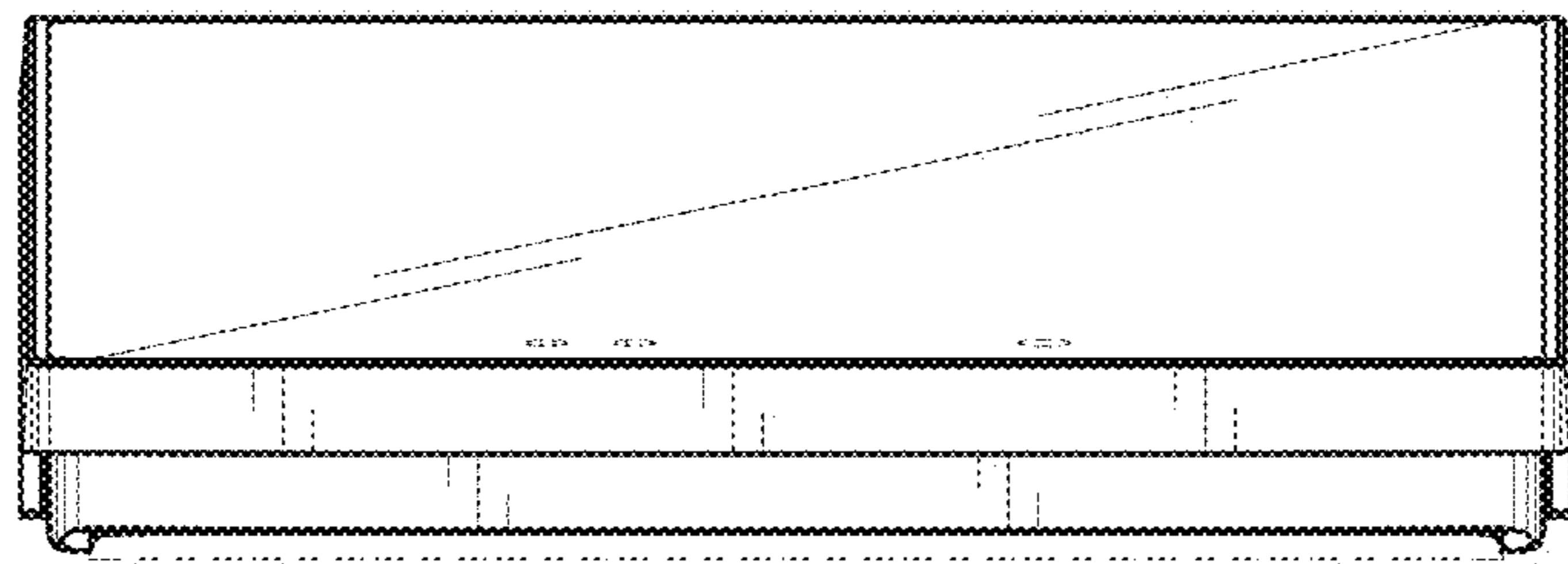


FIG. 7

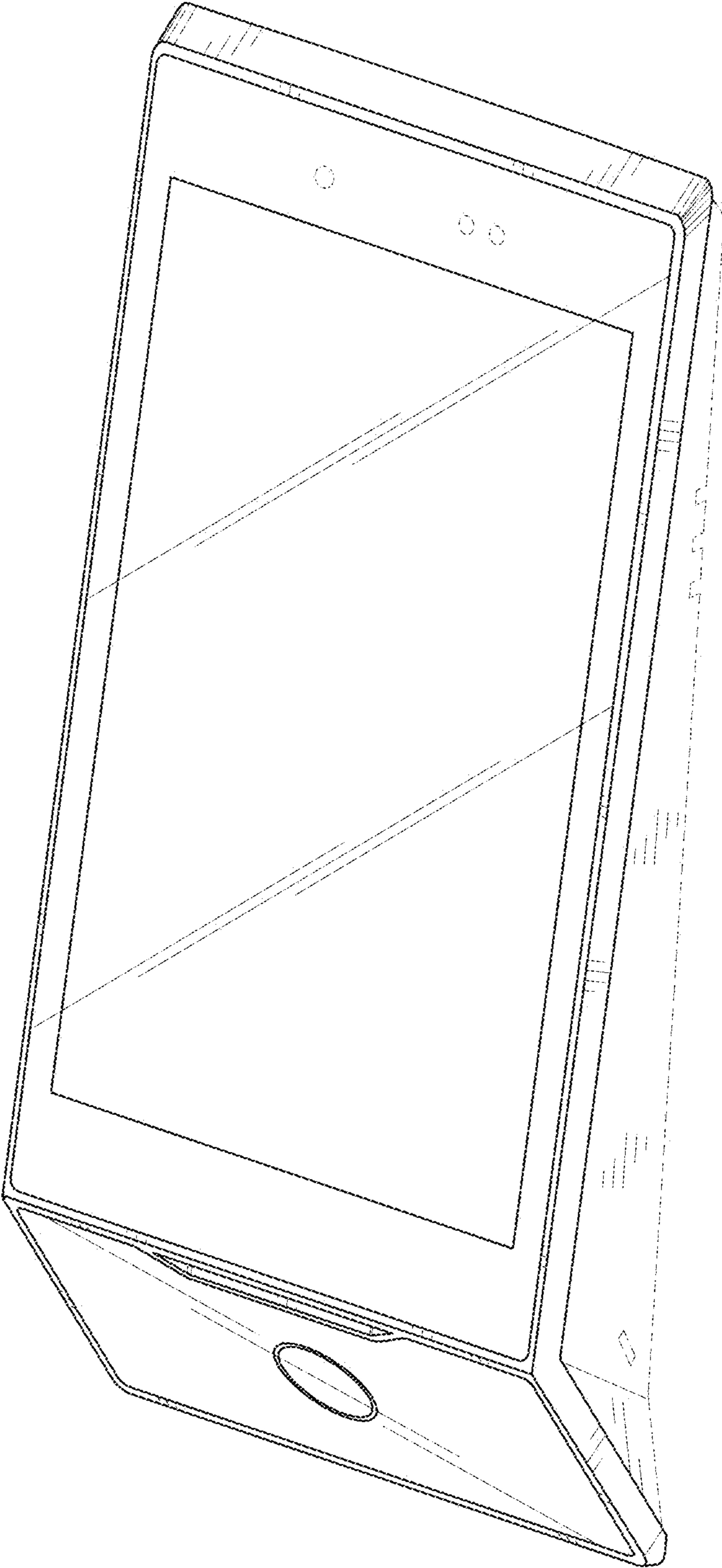


FIG. 8

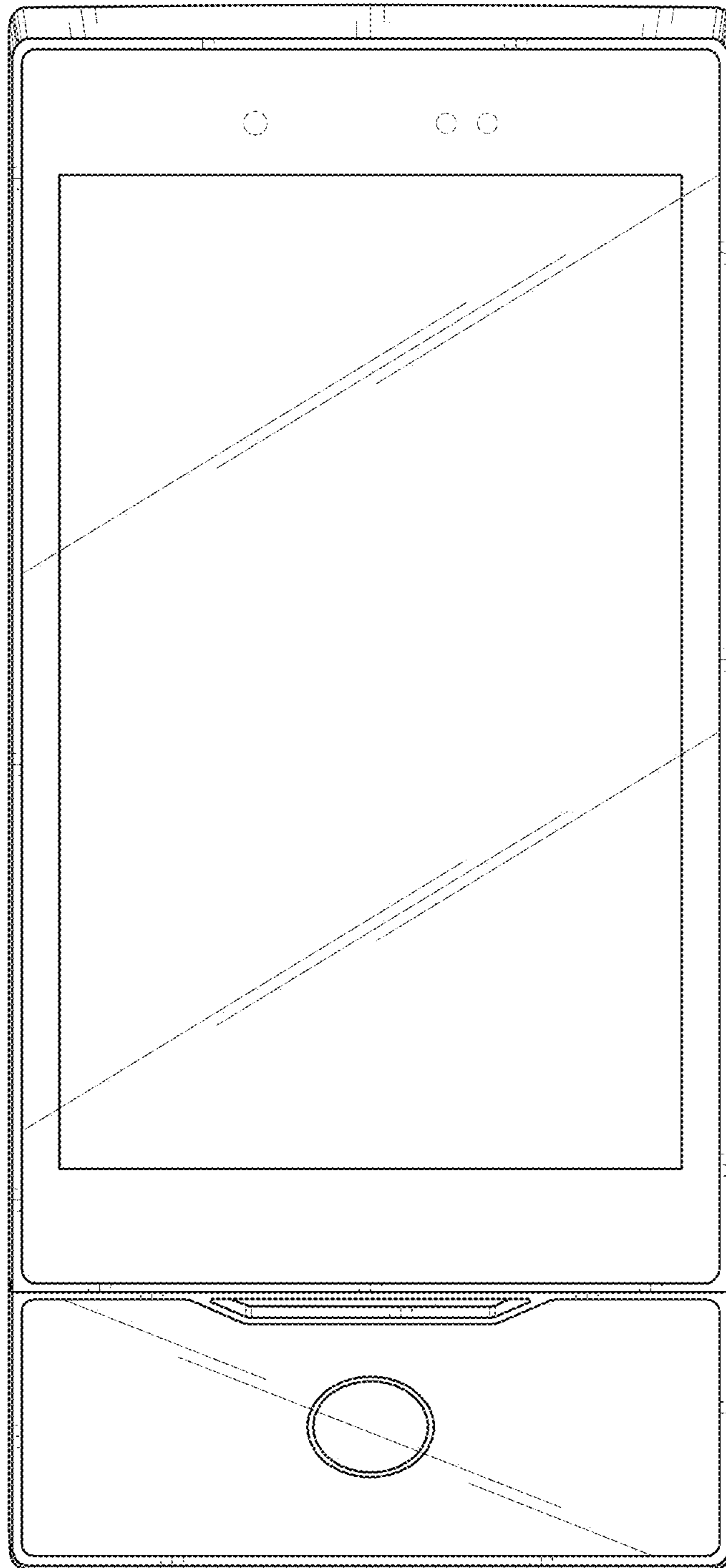


FIG. 9

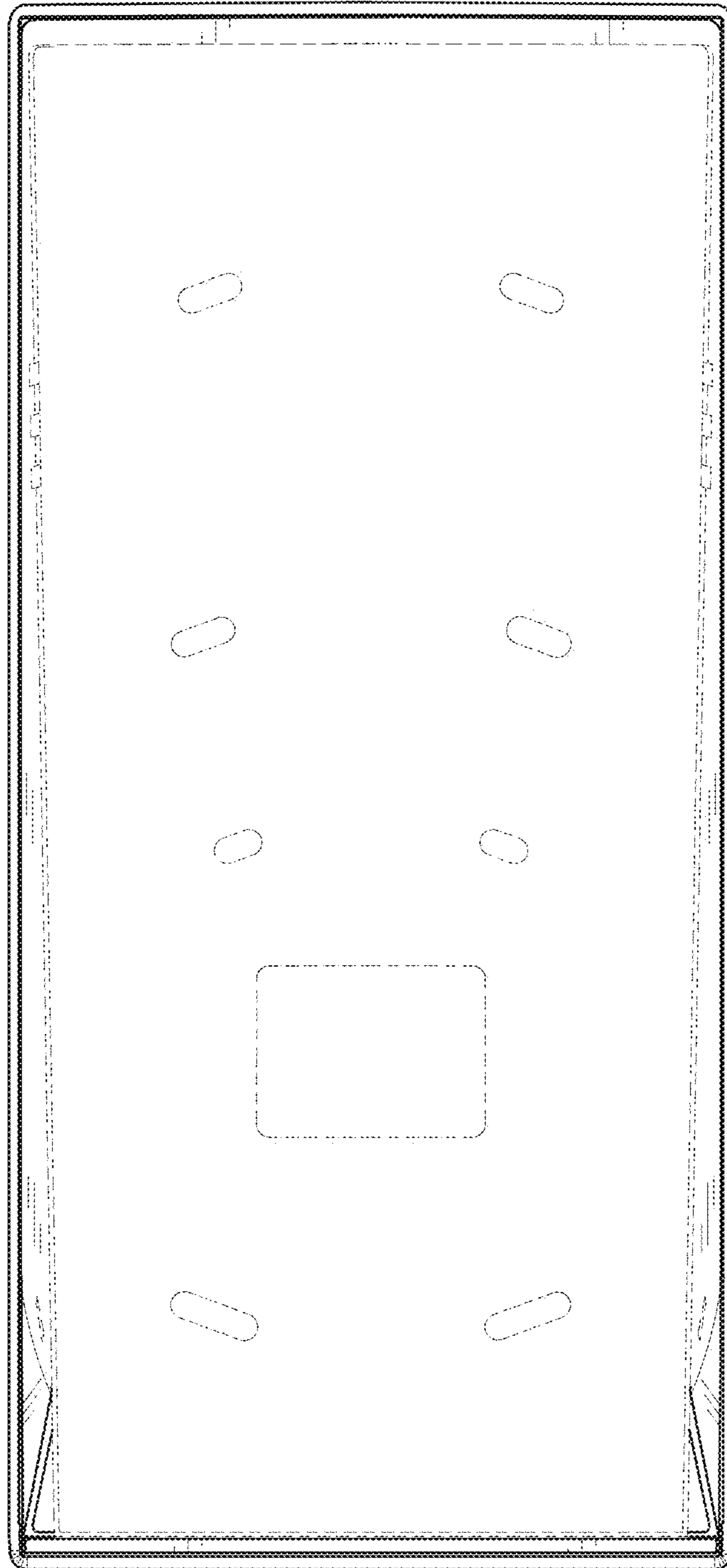


FIG. 10

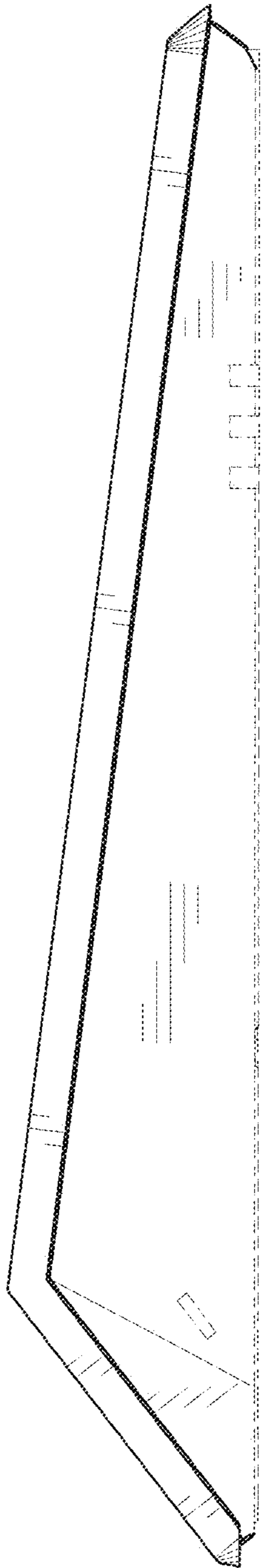


FIG. 11

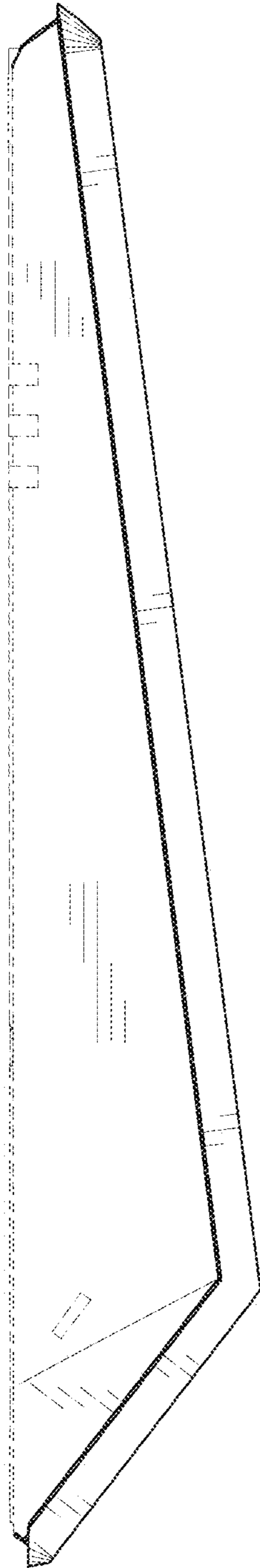


FIG. 12

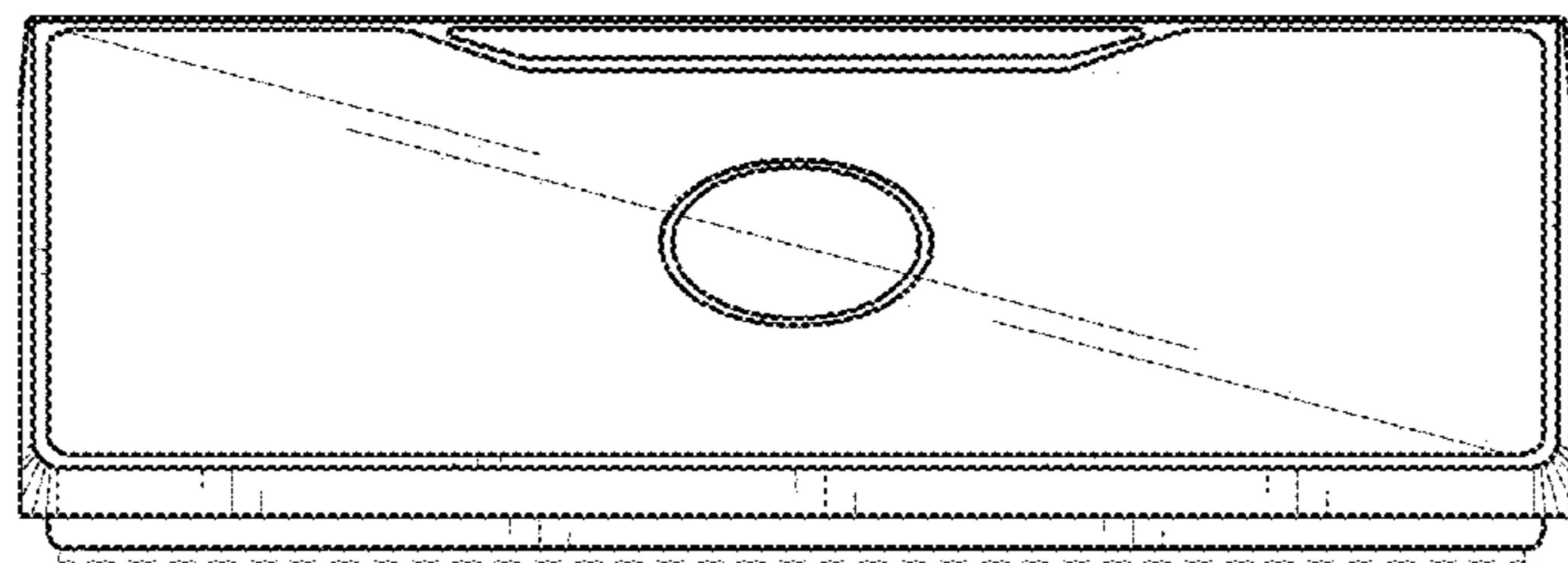


FIG. 13

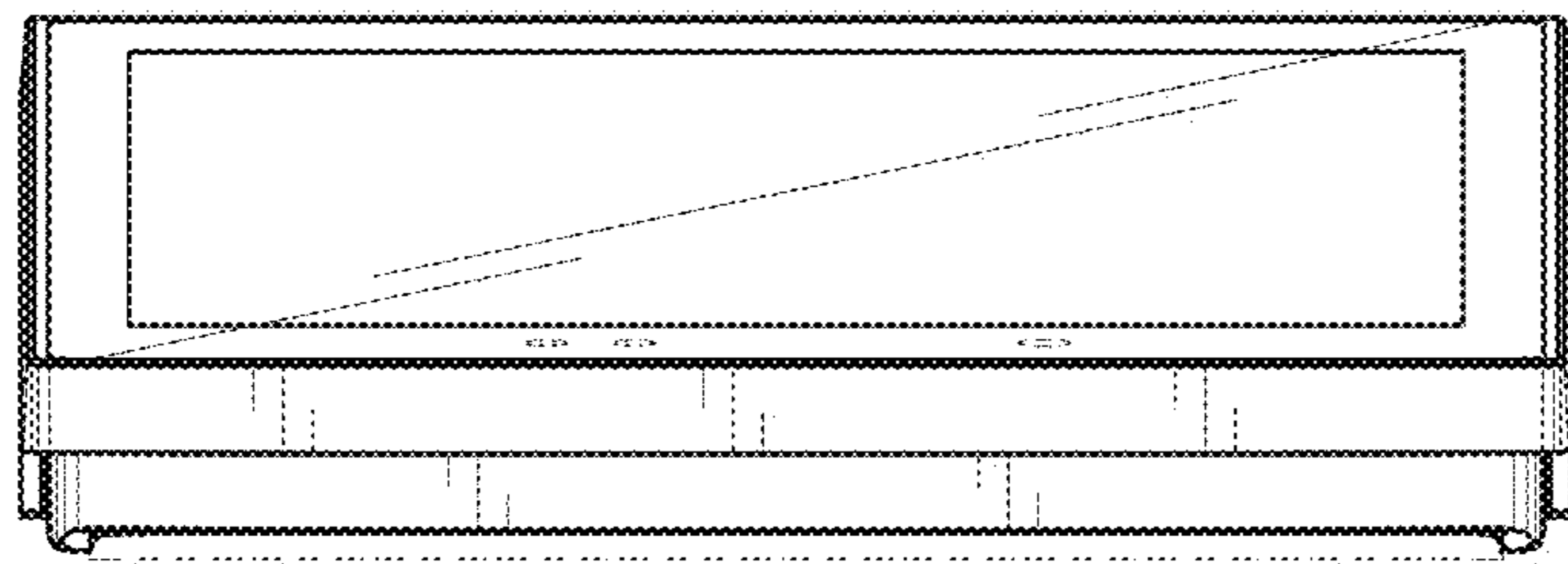


FIG. 14



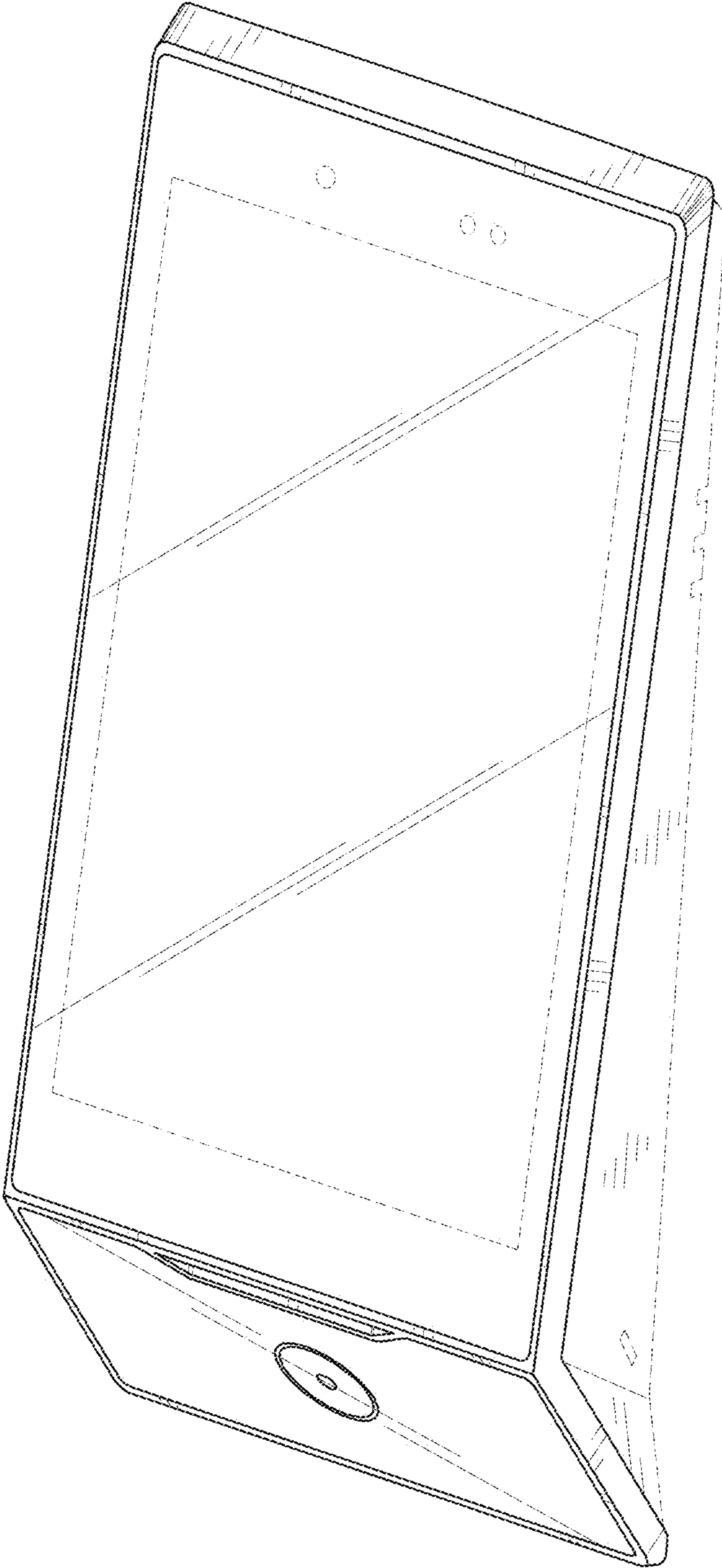


FIG. 15

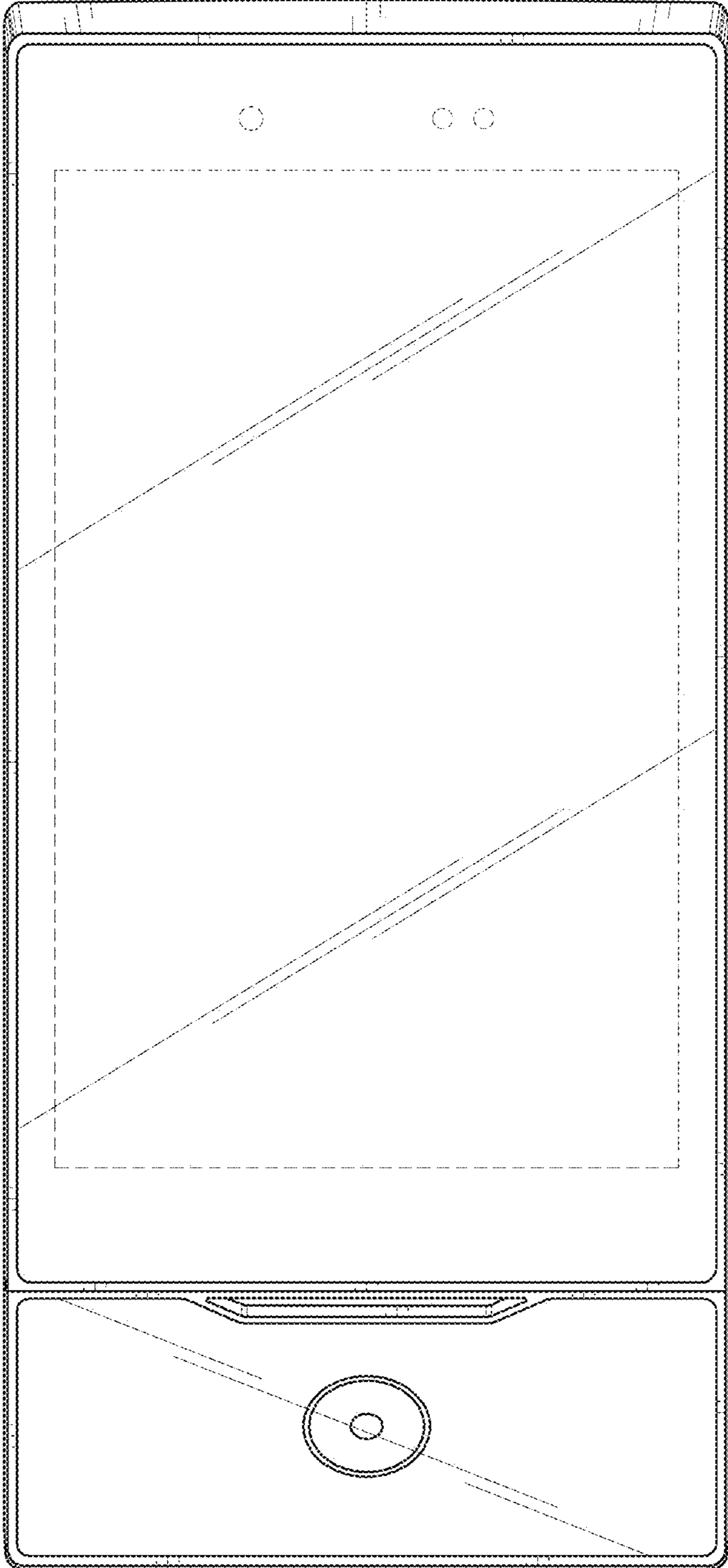


FIG. 16

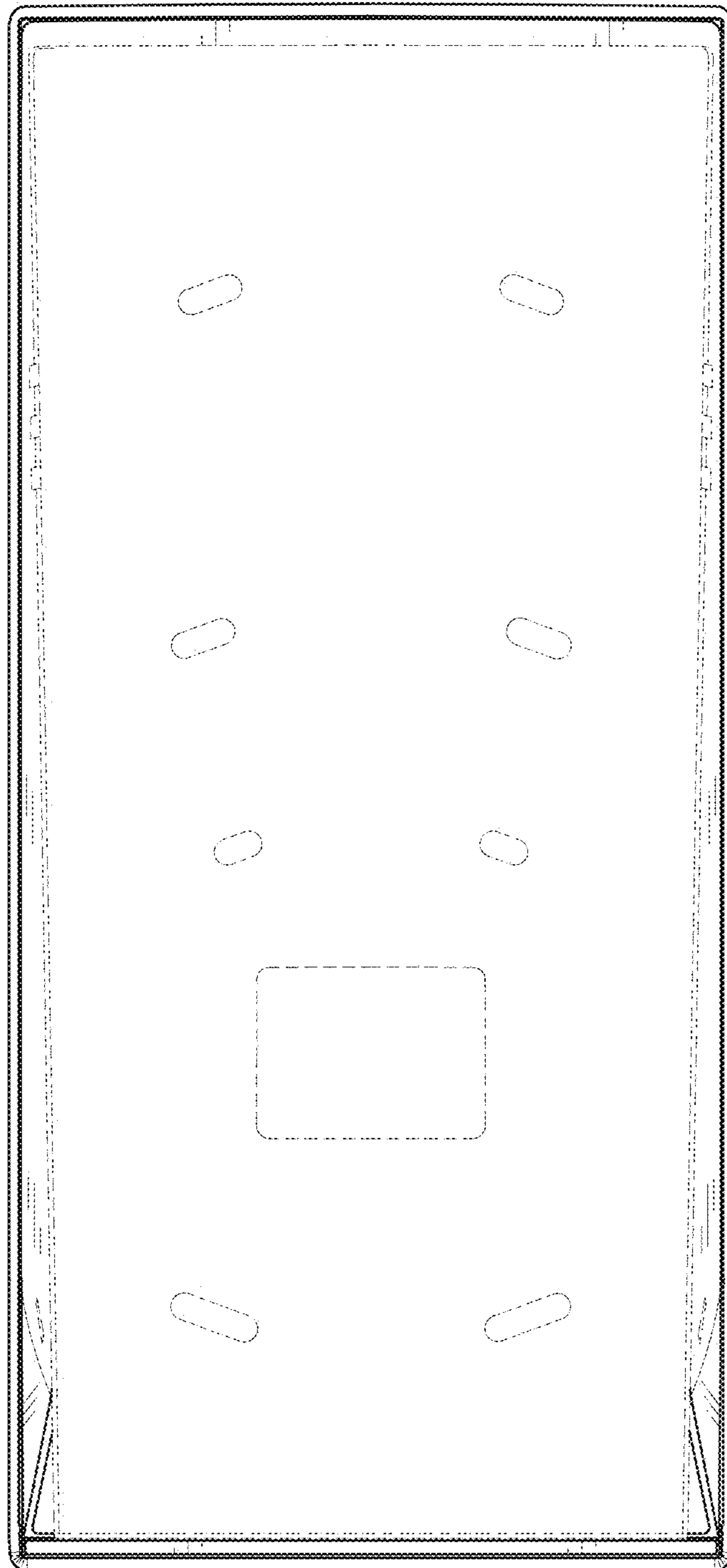


FIG. 17

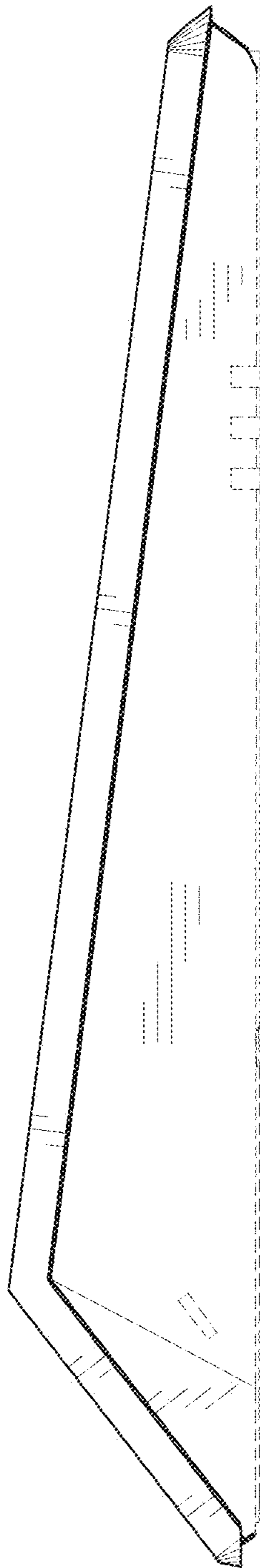


FIG. 18

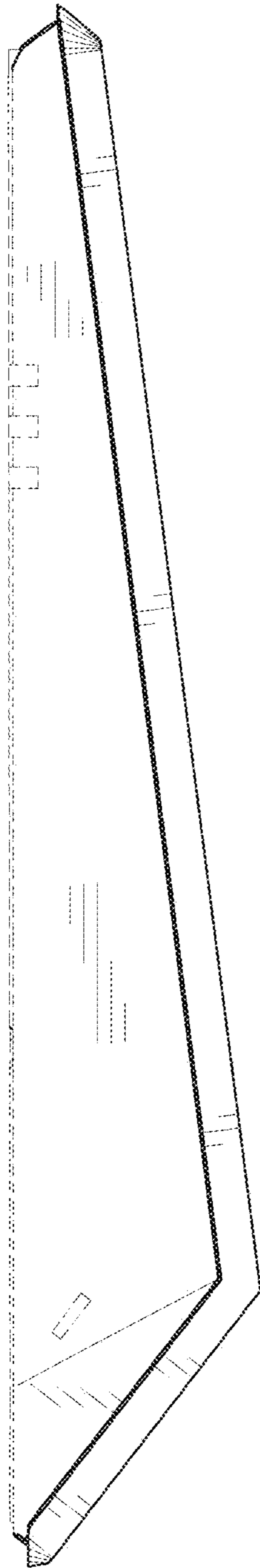


FIG. 19

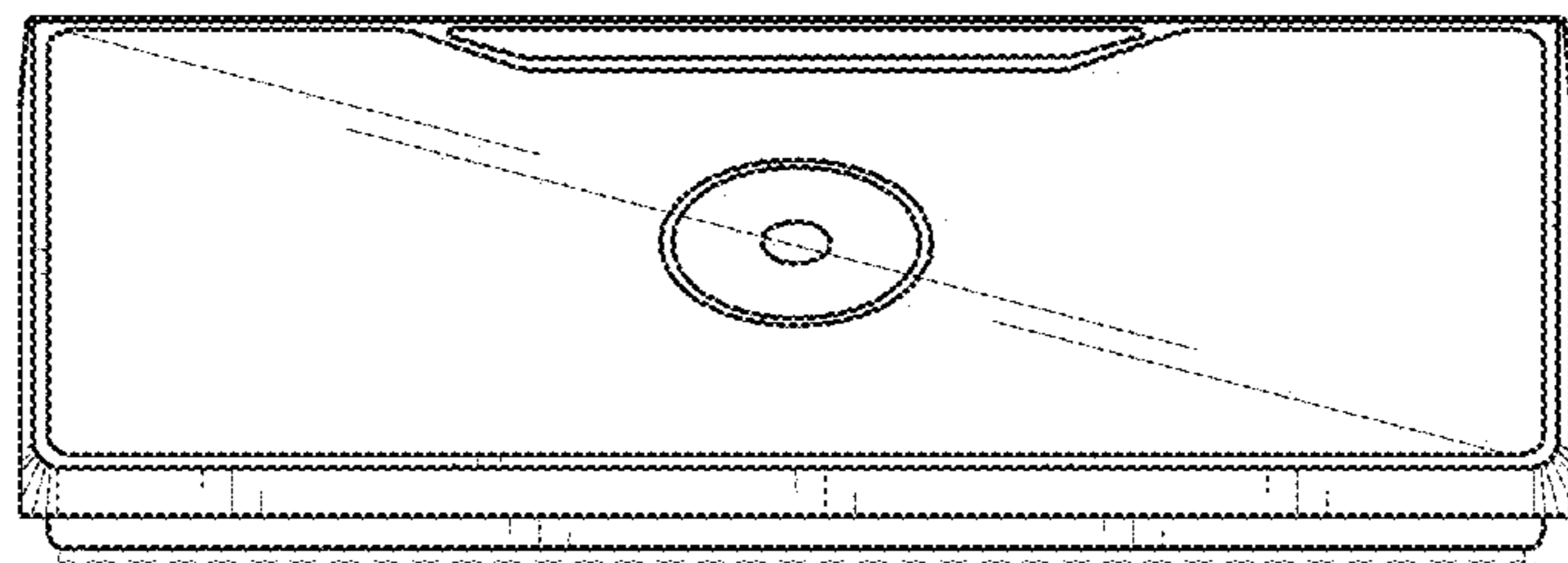


FIG. 20

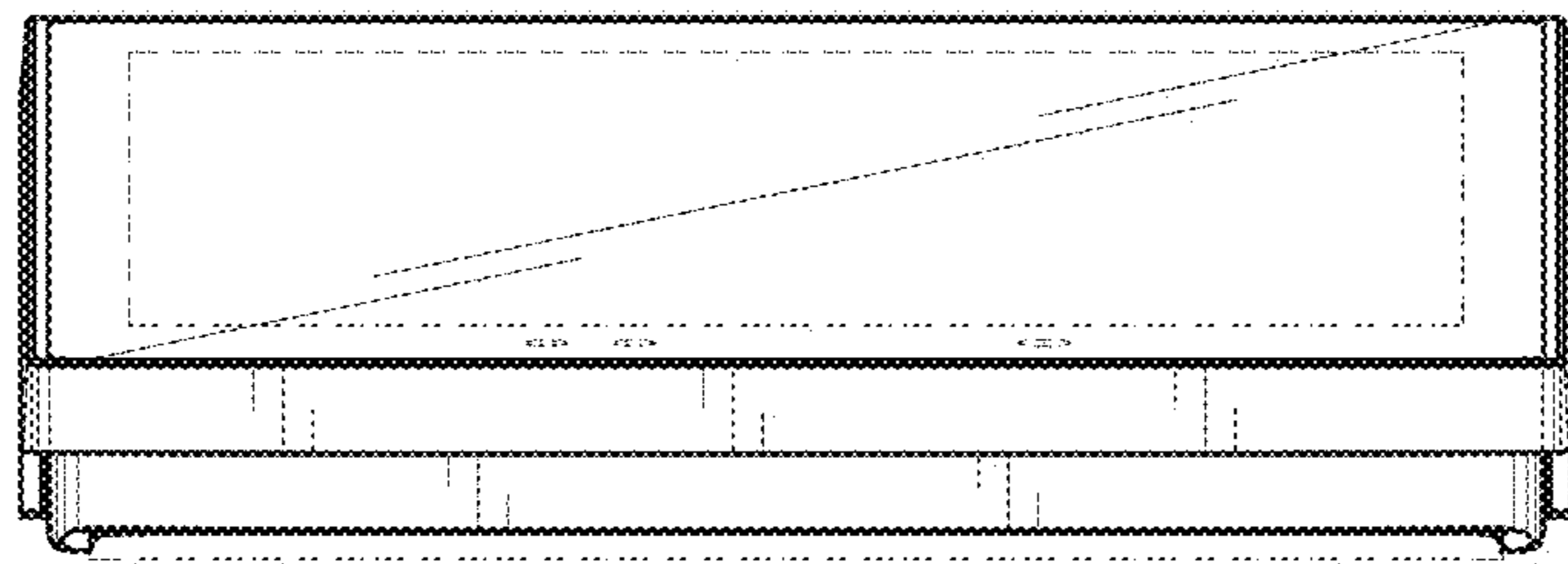


FIG. 21