



US00D976140S

(12) **United States Design Patent**  
**Boulay**

(10) **Patent No.:** **US D976,140 S**  
(45) **Date of Patent:** **\*\* Jan. 24, 2023**

- (54) **HALL EFFECT LEAD WIRE**
- (71) Applicant: **Otodata Wireless Network Inc.,**  
Montréal (CA)
- (72) Inventor: **Andre Boulay, L'Île-Bizard (CA)**
- (73) Assignee: **Otodata Wireless Network Inc.,**  
Montreal (CA)
- (\*\*) Term: **15 Years**
- (21) Appl. No.: **29/703,834**
- (22) Filed: **Aug. 29, 2019**
- (51) **LOC (14) Cl.** ..... **10-04**
- (52) **U.S. Cl.**  
USPC ..... **D10/101**
- (58) **Field of Classification Search**  
USPC ..... D13/152-158, 146, 147, 133, 199, 184;  
D9/430; D8/354-356; D10/101;  
D14/432, 433  
CPC .... H01R 13/46; H01R 13/465; H01R 13/502;  
H01R 13/5025; H01R 13/506; H01R  
13/508; H01R 13/73; H02G 3/04; H02G  
3/0406; H02G 3/0418; H02G 3/08; H02G  
3/081; H02G 3/12; H02G 3/123; H02G  
3/125; H02G 3/14; H02G 3/16; H02G  
3/30; G01F 23/292; G01F 23/2921; G01F  
23/2922; G01F 23/2924; G01F 23/2925;  
G01F 23/2927; G01F 23/2928; G01F  
23/32; G01F 23/34; G01F 23/366; G01F  
23/38; G01F 23/54  
See application file for complete search history.

D743,347 S *	11/2015	Hackleman .....	D13/153
D796,448 S *	9/2017	Mielnik .....	D13/147
D818,975 S *	5/2018	Fournier .....	D13/184
D827,595 S *	9/2018	Fournier .....	D13/184
D832,124 S *	10/2018	Lease .....	D10/101
D839,204 S *	1/2019	Mielnik .....	D13/147
2005/0079749 A1 *	4/2005	Schmidt .....	H01R 13/5205 439/275
2016/0030673 A1 *	2/2016	White .....	A61B 5/1495 604/189

**FOREIGN PATENT DOCUMENTS**

CN	300710226	*	11/2007
CN	305097391	*	4/2019

\* cited by examiner

*Primary Examiner* — Mary Shannon Malley  
*Assistant Examiner* — Lee D. Starr  
(74) *Attorney, Agent, or Firm* — Wiggin and Dana LLP

(57) **CLAIM**

The ornamental design for a hall effect lead wire, as shown and described.

**DESCRIPTION**

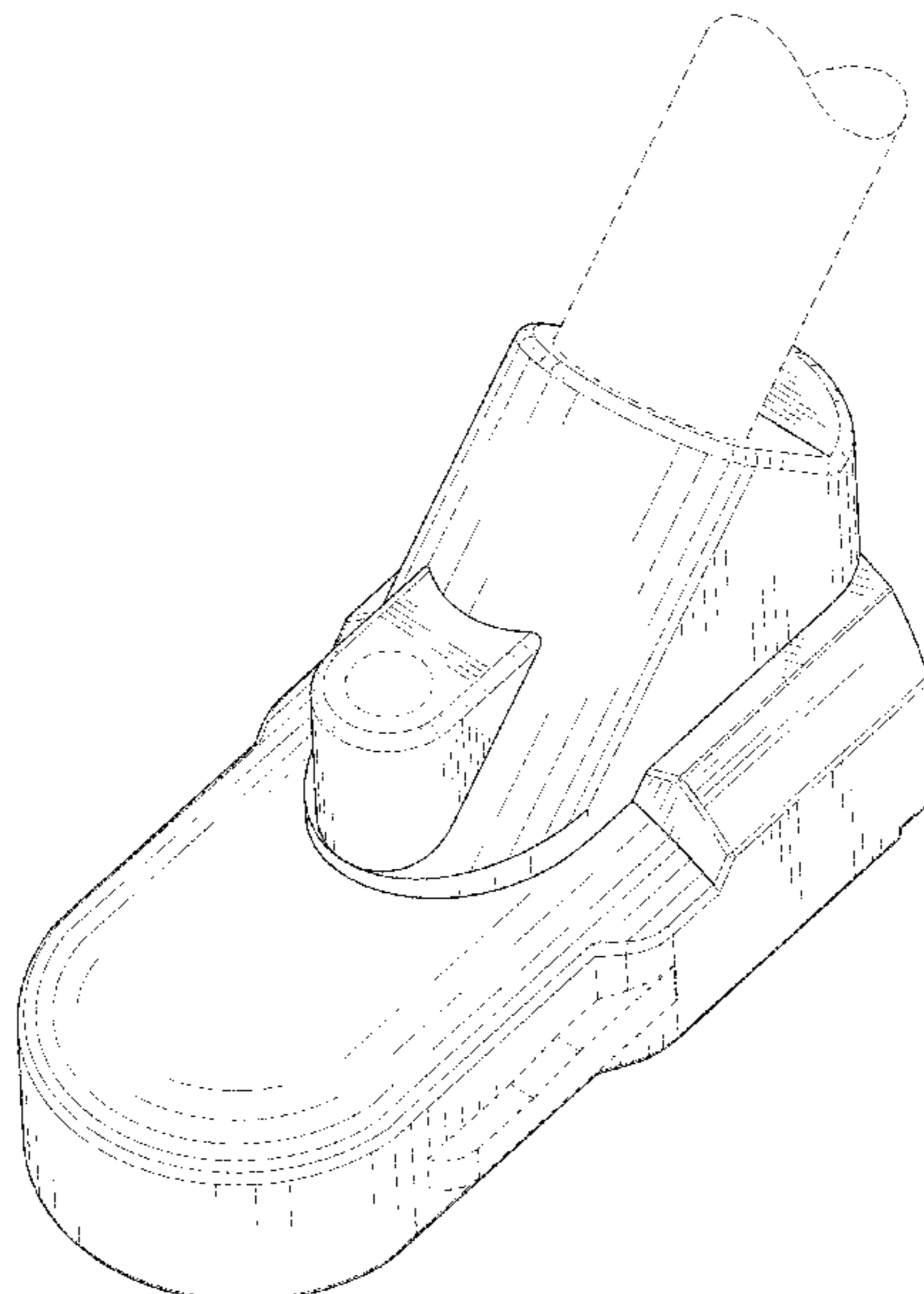
FIG. 1 is a front, top, right perspective view of a hall effect lead wire;  
FIG. 2 is a rear, top, left perspective view of thereof;  
FIG. 3 is a front view thereof;  
FIG. 4 is a rear view thereof;  
FIG. 5 is a left view thereof;  
FIG. 6 is a right view thereof;  
FIG. 7 is a top view thereof; and,  
FIG. 8 is a bottom view thereof.

The dash-dot broken lines in the drawings define the bounds of the claimed design and form no part thereof. The dashed broken lines in the drawings depict portions of the hall effect lead wire that form no part of the claimed design.

(56) **References Cited**  
U.S. PATENT DOCUMENTS

D353,380 S *	12/1994	Baum .....	D13/147
D503,152 S *	3/2005	Suckle .....	D13/154

**1 Claim, 8 Drawing Sheets**



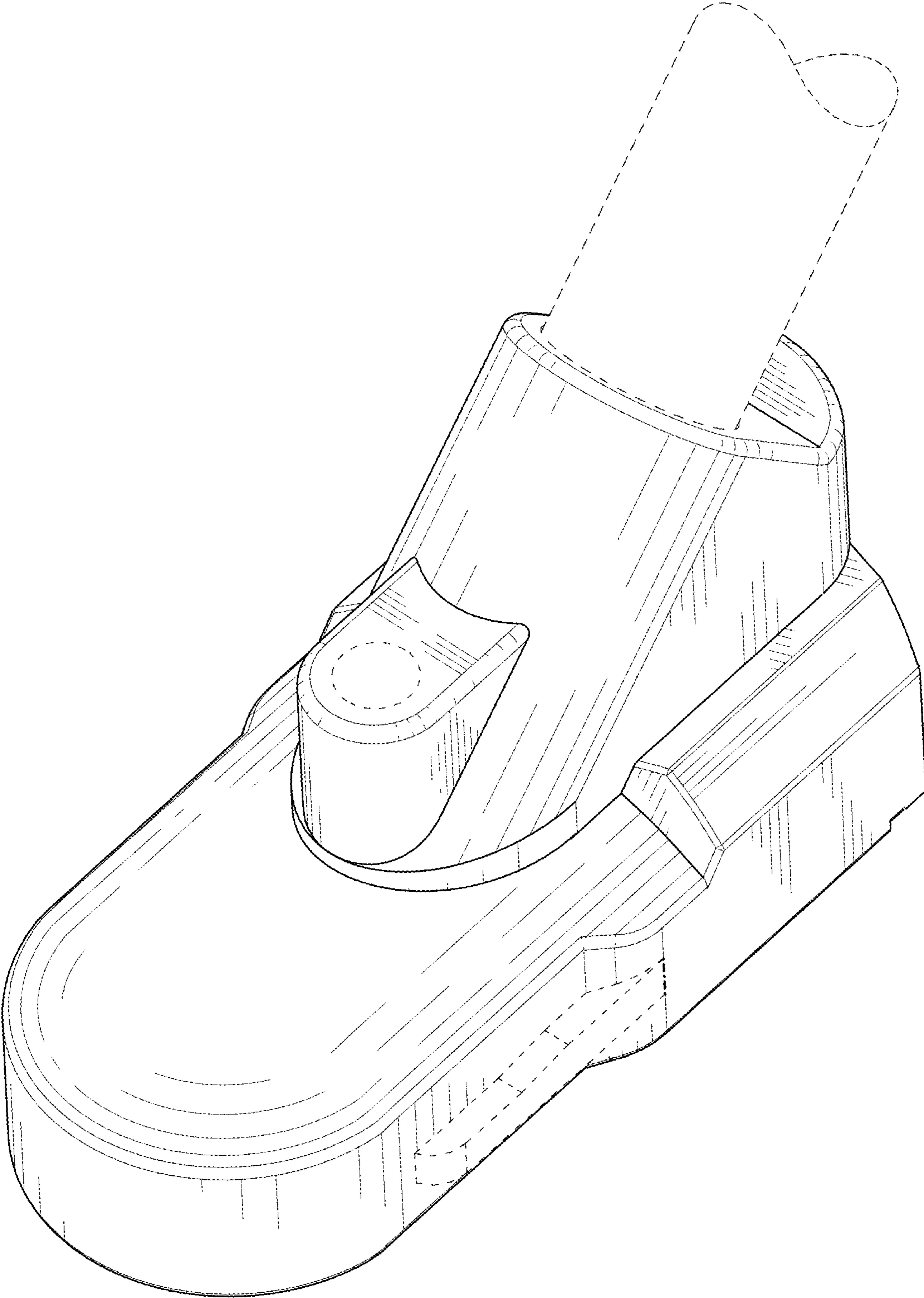


FIG. 1

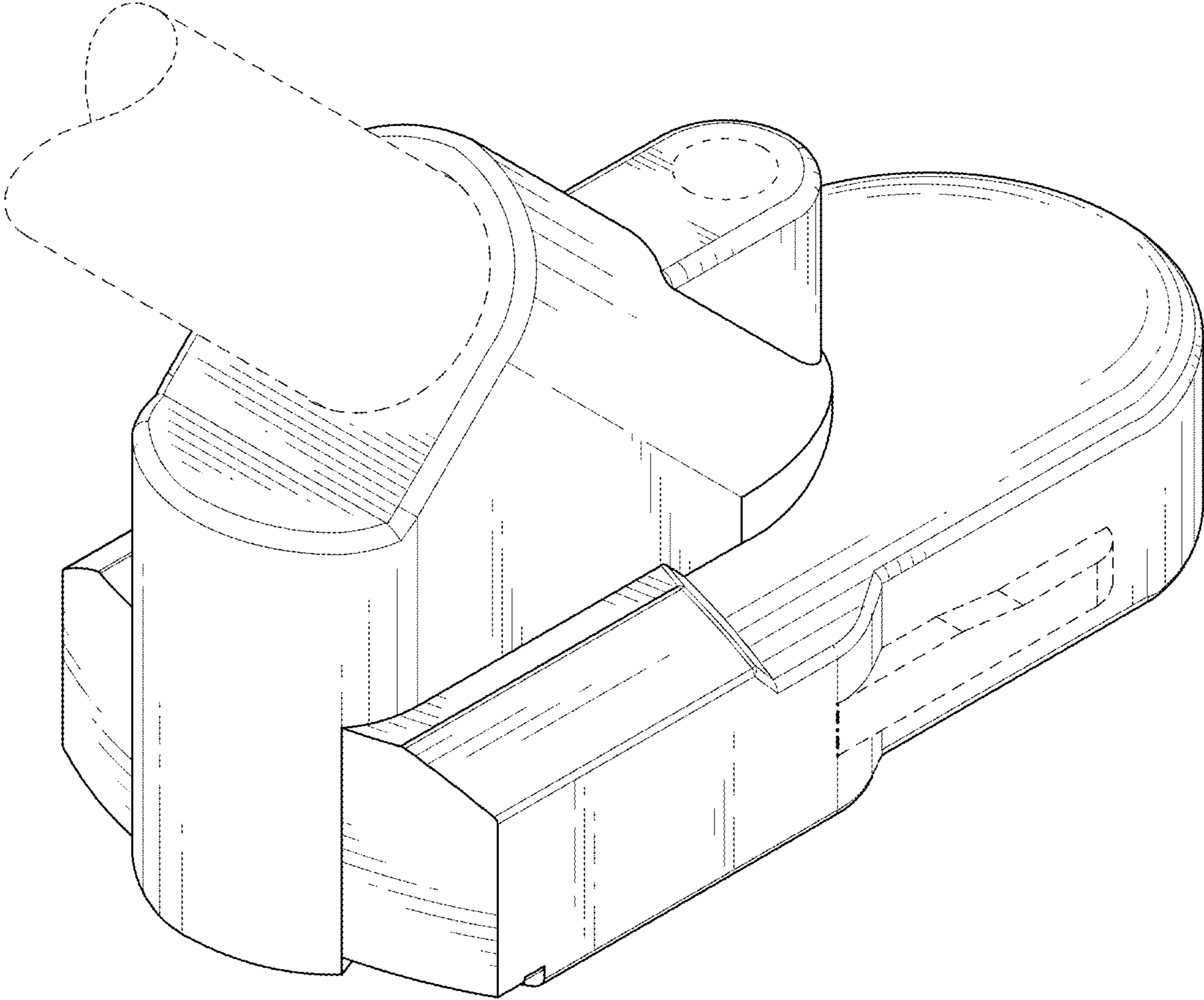


FIG. 2

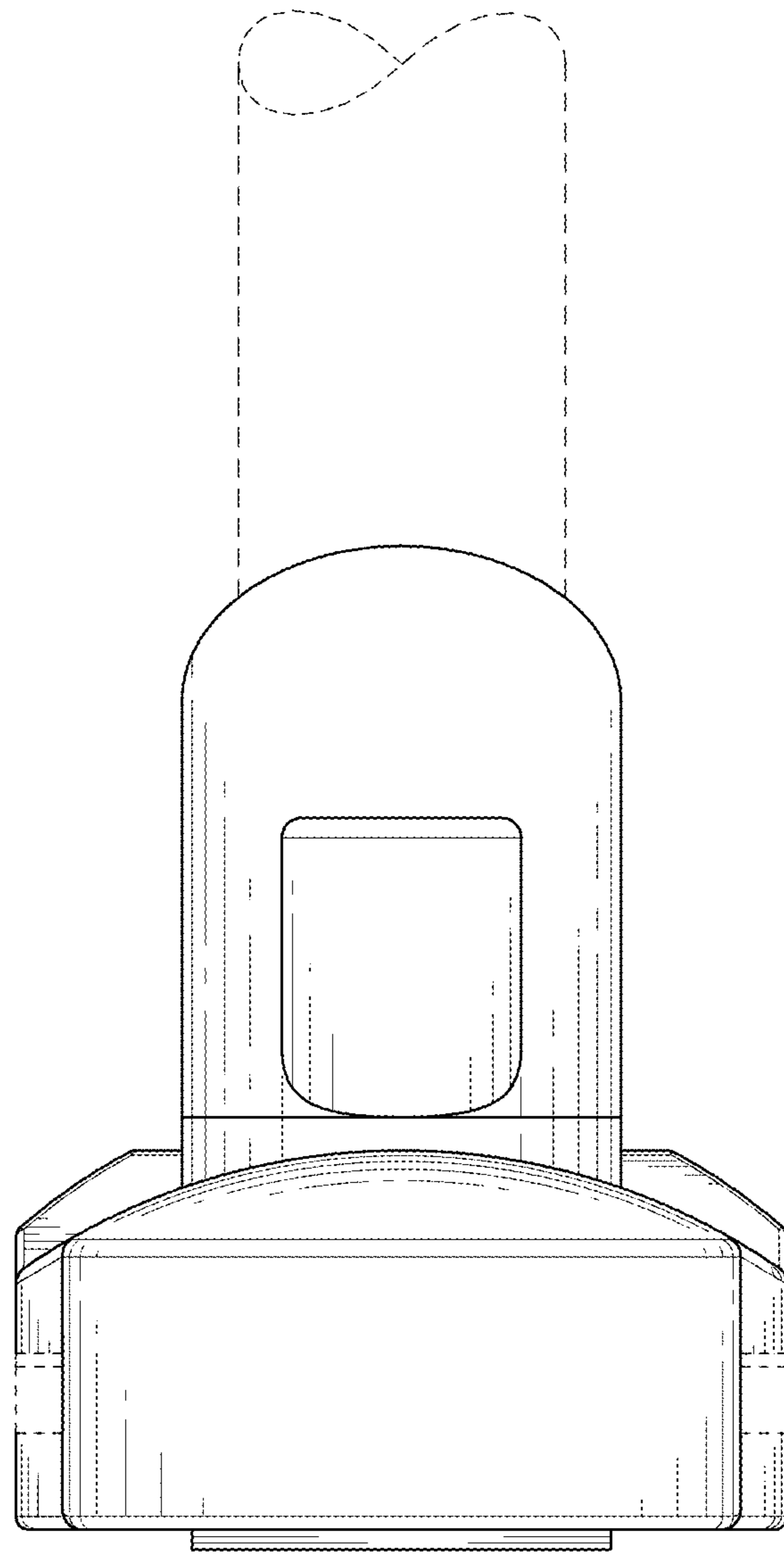


FIG. 3

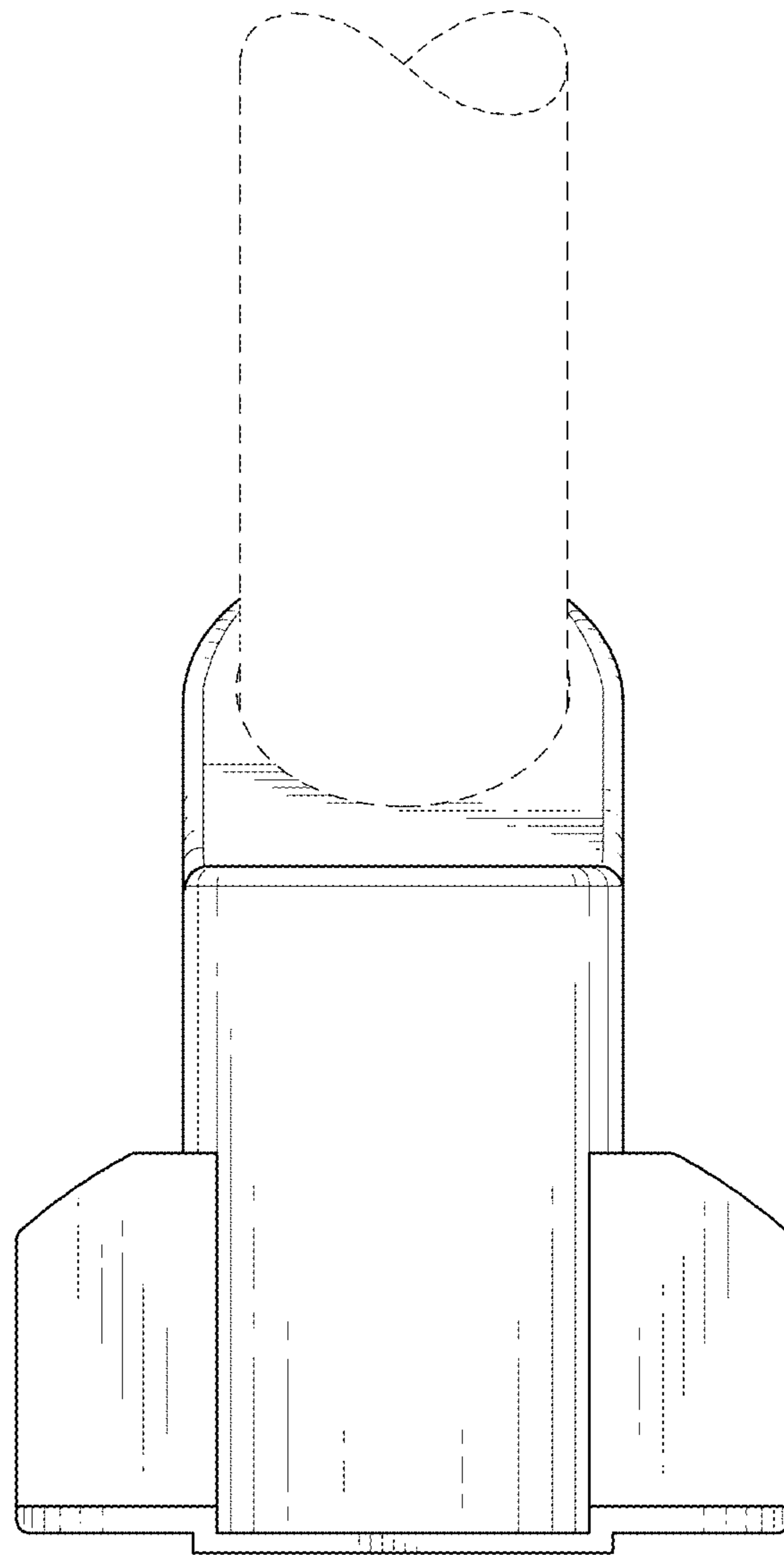


FIG. 4

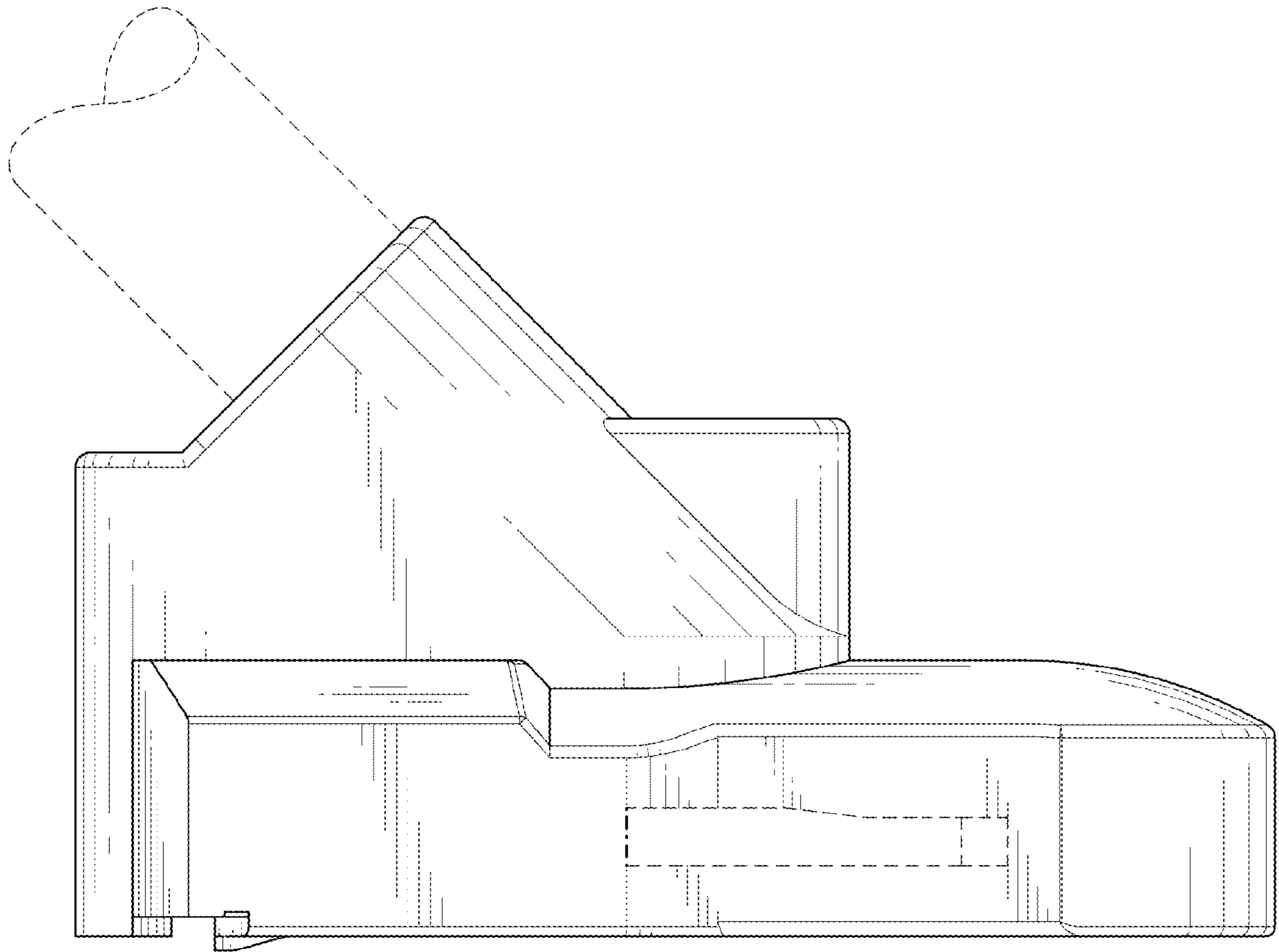


FIG. 5

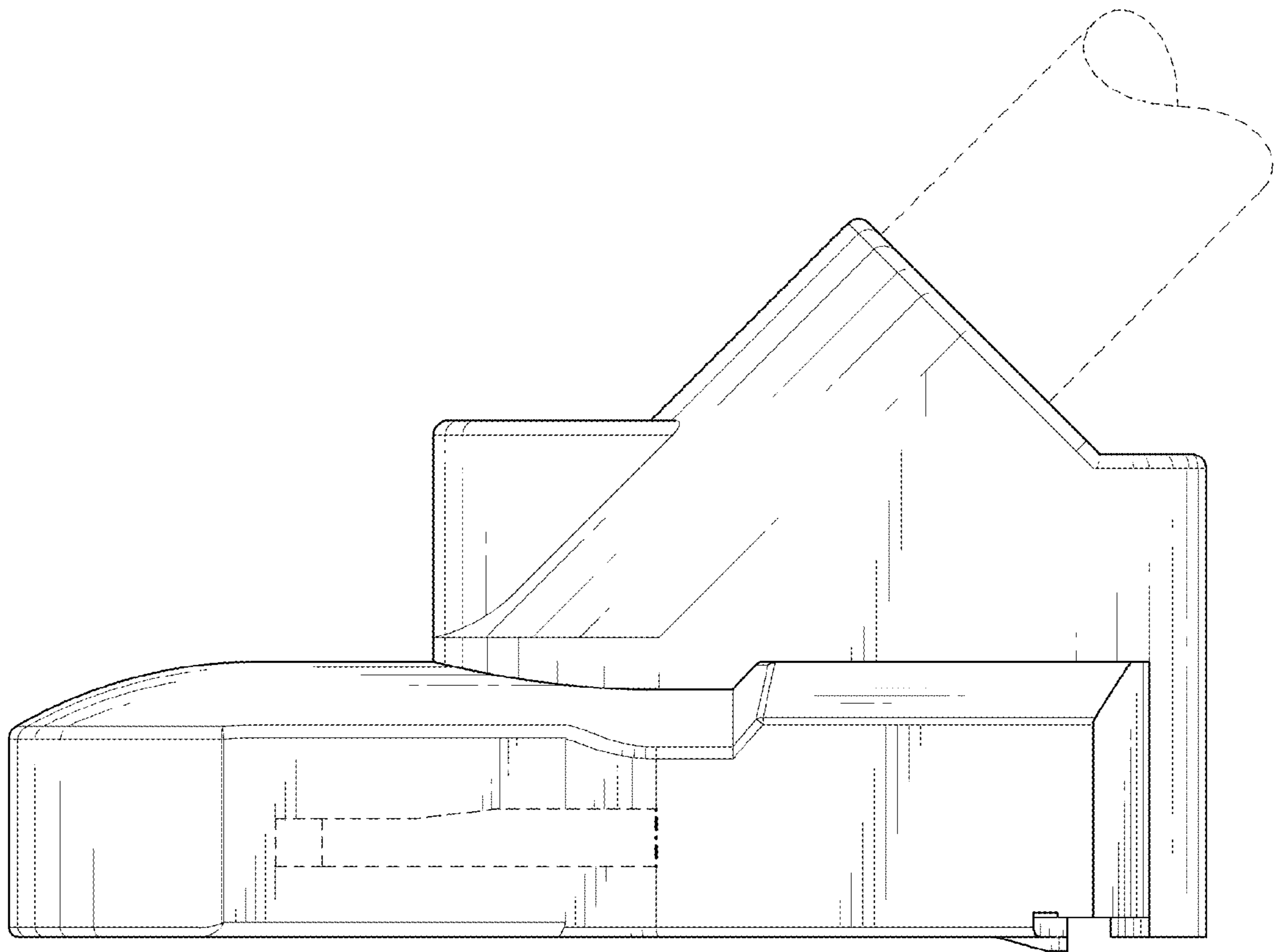


FIG. 6

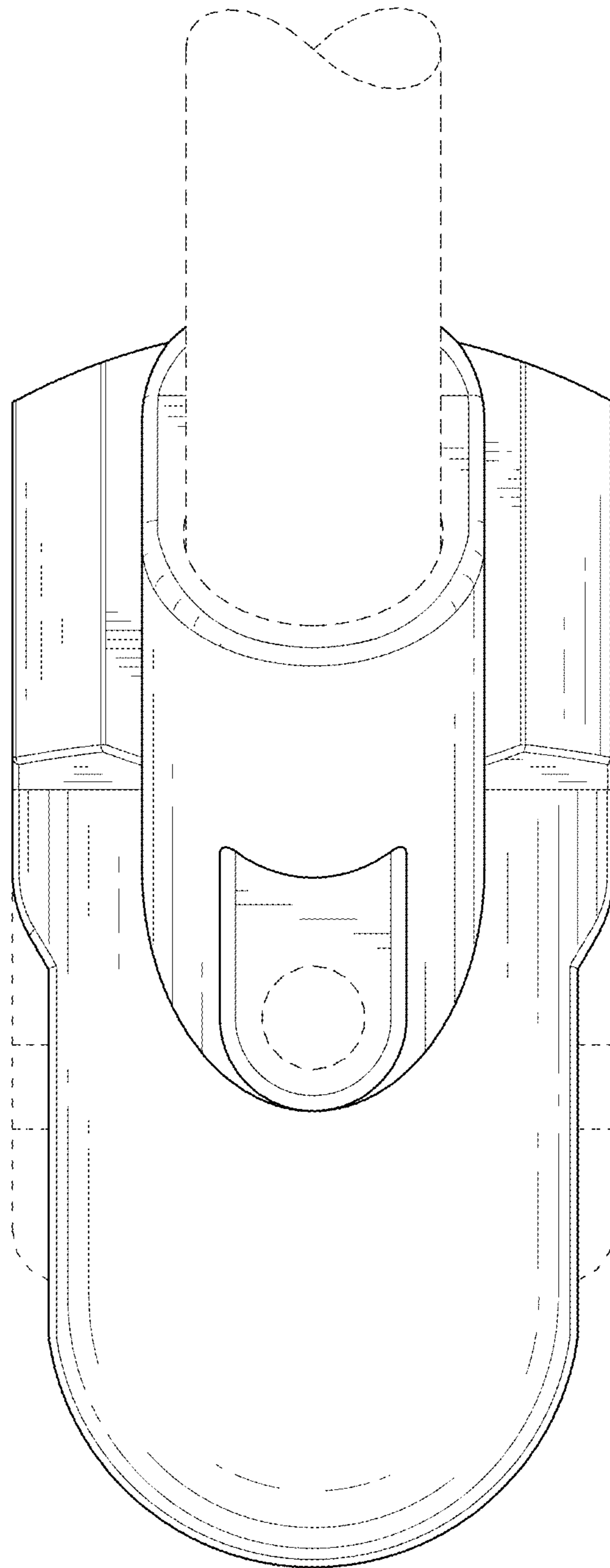


FIG. 7



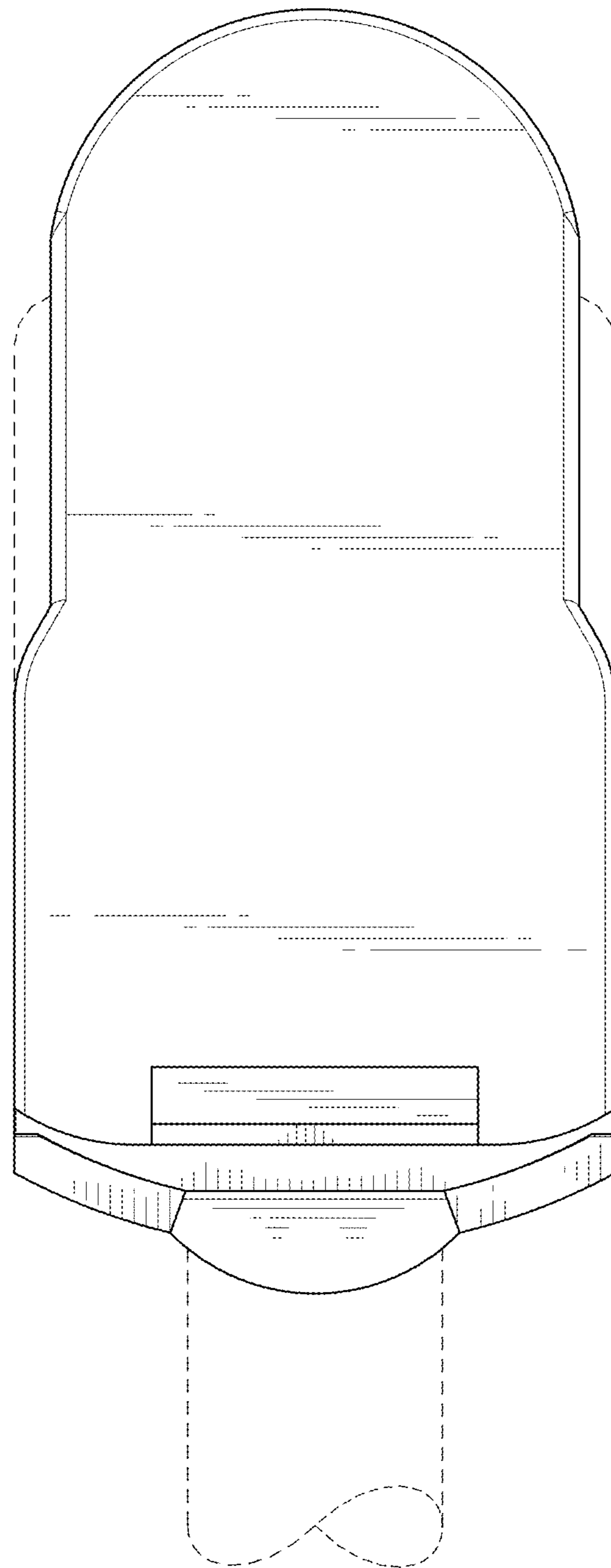


FIG. 8