



US00D976139S

(12) **United States Design Patent**
Isebrand et al.

(10) **Patent No.:** **US D976,139 S**
(45) **Date of Patent:** **** *Jan. 24, 2023**

(54) **AIRCRAFT TEMPERATURE PROBE**

FOREIGN PATENT DOCUMENTS

(71) Applicant: **ROSEMOUNT AEROSPACE INC.**,
Burnsville, MN (US)

EM 000094438-0001 * 10/2003
EM 000094438-0002 * 10/2003

(72) Inventors: **Scott D. Isebrand**, Minneapolis, MN
(US); **Andrew Gilb**, Savage, MN (US)

OTHER PUBLICATIONS

(73) Assignee: **ROSEMOUNT AEROSPACE, INC.**,
Burnsville, MN (US)

Aerosawy, Aspirated Total Air Temperature Probe, Date first available Sep. 20, 2021, [online]retrieved May 18, 2022, available from <https://aerosawy.com/total-air-temperature/> (Year: 2021).*

(*) Notice: This patent is subject to a terminal disclaimer.

(Continued)

(**) Term: **15 Years**

Primary Examiner — Keli L Hill

Assistant Examiner — Sara S Sahneh

(21) Appl. No.: **29/758,918**

(74) *Attorney, Agent, or Firm* — Cantor Colburn LLP

(22) Filed: **Nov. 19, 2020**

(57) **CLAIM**

The ornamental design for an aircraft temperature probe, as shown and described.

Related U.S. Application Data

DESCRIPTION

(63) Continuation-in-part of application No. 16/010,011, filed on Jun. 15, 2018, now Pat. No. 10,852,203.

(51) **LOC (14) Cl.** **10-04**

(52) **U.S. Cl.**
USPC **D10/96**

(58) **Field of Classification Search**
USPC D10/46, 81, 96–103, 61, 83–86
CPC G01K 1/08; G01K 13/02; G01K 1/20;
G01K 1/00; G01K 3/00; G01K 2207/00;
G01K 2205/00; G01K 17/00; G01K
13/00; G01K 11/00; G01K 5/00; G01K
3/02;

FIG. 1 is a perspective view of an aircraft temperature probe in accordance with an embodiment, showing my new design;

FIG. 2 is a front elevation view of the embodiment shown in FIG. 1;

FIG. 3 is a rear elevation view of the embodiment shown in FIG. 1;

FIG. 4 is a left-side elevation view of the embodiment shown in FIG. 1;

FIG. 5 is a right-side elevation view of the embodiment shown in FIG. 1;

FIG. 6 is a top-down plan view of the embodiment shown in FIG. 1;

FIG. 7 is bottom-up plan view of the embodiment shown in FIG. 1; and,

FIG. 8 is a bottom-up rear perspective view of the embodiment shown in FIG. 1.

The broken lines shown are included for the purpose of illustrating portions of the aircraft temperature probe that form no part of the claim.

(Continued)

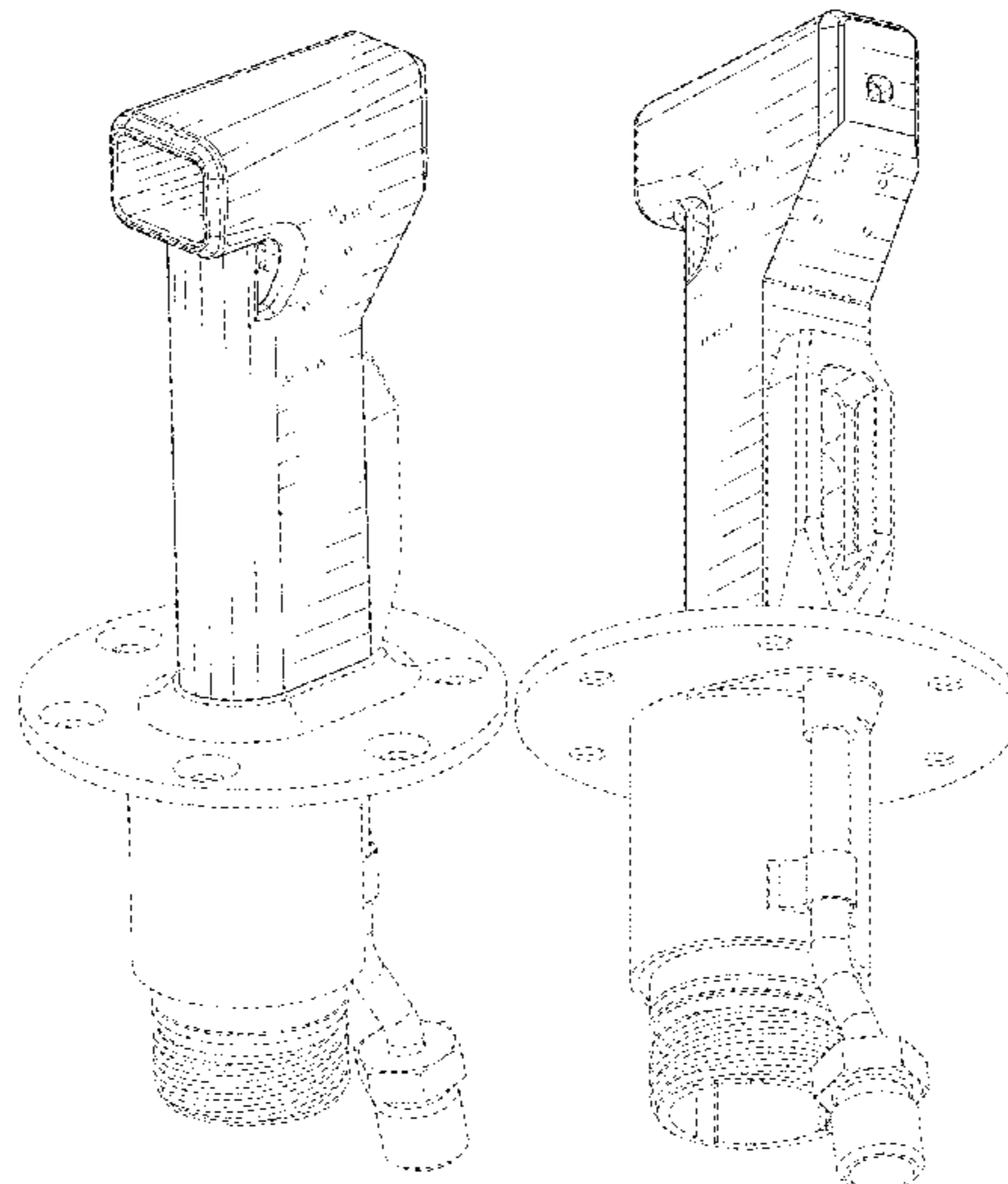
(56) **References Cited**

U.S. PATENT DOCUMENTS

5,043,558 A 8/1991 Byles
6,609,825 B2* 8/2003 Ice G01K 13/02
374/138

(Continued)

1 Claim, 5 Drawing Sheets



(58) **Field of Classification Search**
 CPC H05B 3/18; H05B 3/145; H05B 1/0236;
 H05B 3/26; H05B 2214/02; H05B
 2203/013; H05B 2203/02; H05B 2214/03;
 H05B 2214/04; H05B 2203/017; G01P
 5/165; B64D 15/12; B64D 31/06; B64D
 1/00; B64D 3/00; B64D 9/00
 See application file for complete search history.

(56) **References Cited**

U.S. PATENT DOCUMENTS

6,651,515	B2	11/2003	Bernard	
D497,114	S	10/2004	Willcox	
7,174,782	B2	2/2007	Ice	
D545,227	S	6/2007	Benning et al.	
D548,634	S	8/2007	Benning et al.	
D566,595	S	4/2008	Benning et al.	
D587,610	S *	3/2009	Benning	D10/96
7,828,477	B2	11/2010	Benning et al.	
2003/0005779	A1 *	1/2003	Bernard	G01K 13/02 374/E13.006
2004/0237641	A1 *	12/2004	Hanson	B64D 15/12 374/E13.006
2005/0190816	A1 *	9/2005	Simeon	G01K 13/02 374/E13.006

2008/0285620	A1 *	11/2008	Benning	G01K 13/028 374/138
2011/0106475	A1 *	5/2011	Wigen	G01K 13/02 702/99
2014/0050247	A1 *	2/2014	Herman	G01K 13/028 374/138
2015/0103864	A1 *	4/2015	Schwie	G01K 13/028 374/148
2015/0241286	A1 *	8/2015	Isebrand	G01K 13/028 374/138
2016/0377487	A1 *	12/2016	Cheung	G01K 1/08 29/611
2017/0227402	A1 *	8/2017	Isebrand	B64D 45/00
2019/0094083	A1 *	3/2019	Gilb	G01K 13/028

OTHER PUBLICATIONS

UTC Aerospace System, Total Temperature Sensors, Model 101, 102, and EPTAT, UTC Aerospace System, Date first available 2020, [online]retrieved May 18, 2022,available from <https://pdf.aeroexpo.online/pdf/collins-aerospace-utc-aerospace-systems/total-temperature-sensors-models-101-102-eptat/170790-17865.html> (Year: 2022).*
 Non Final Office Action dated May 26, 2022 for U.S. Appl. No. 29/758,911, 7 pages.

* cited by examiner

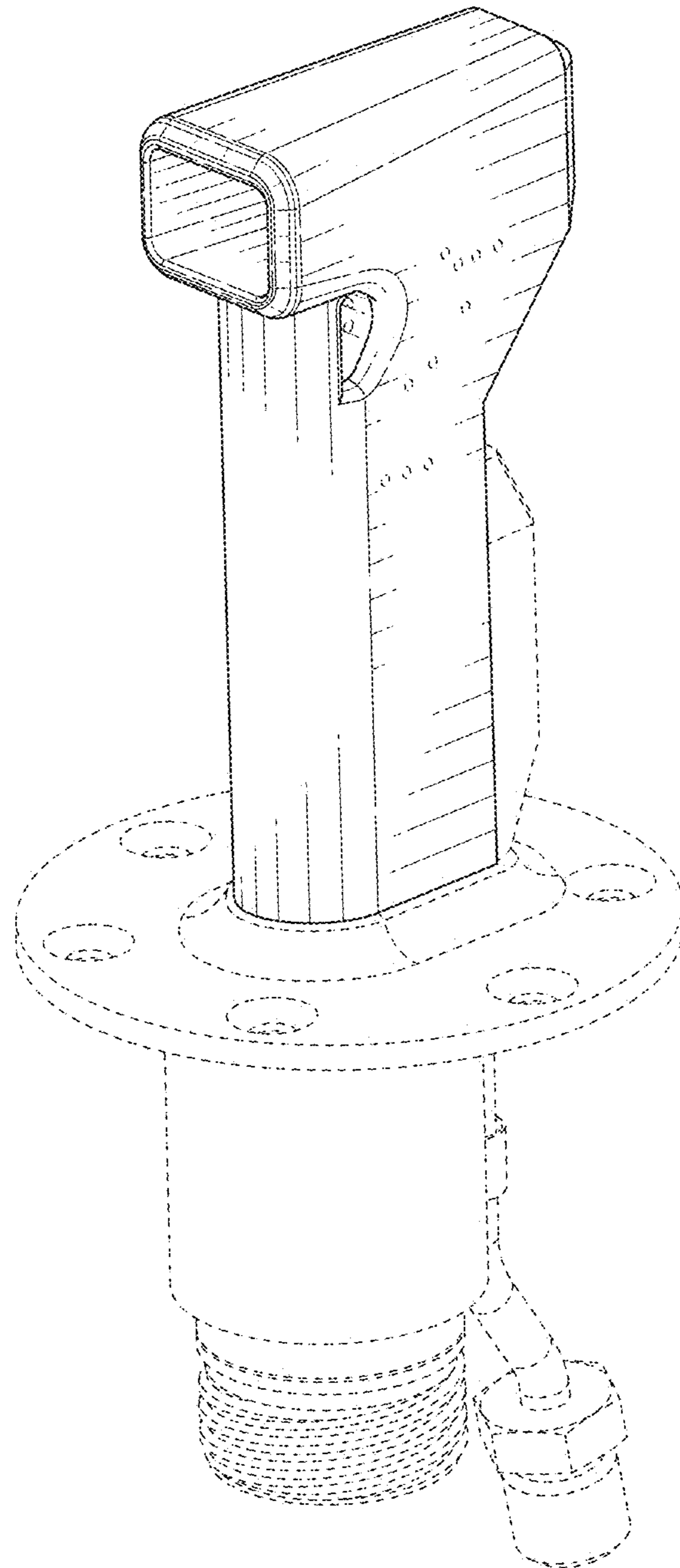


FIG. 1

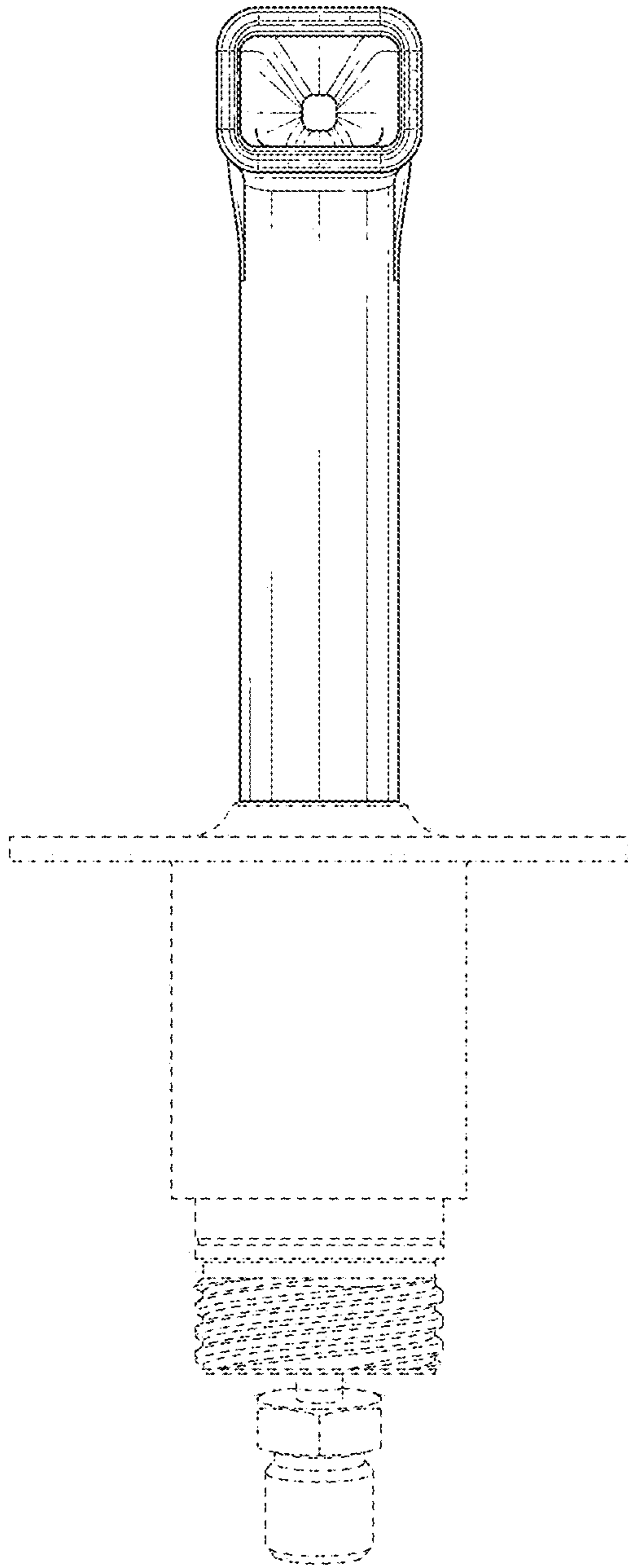


FIG. 2

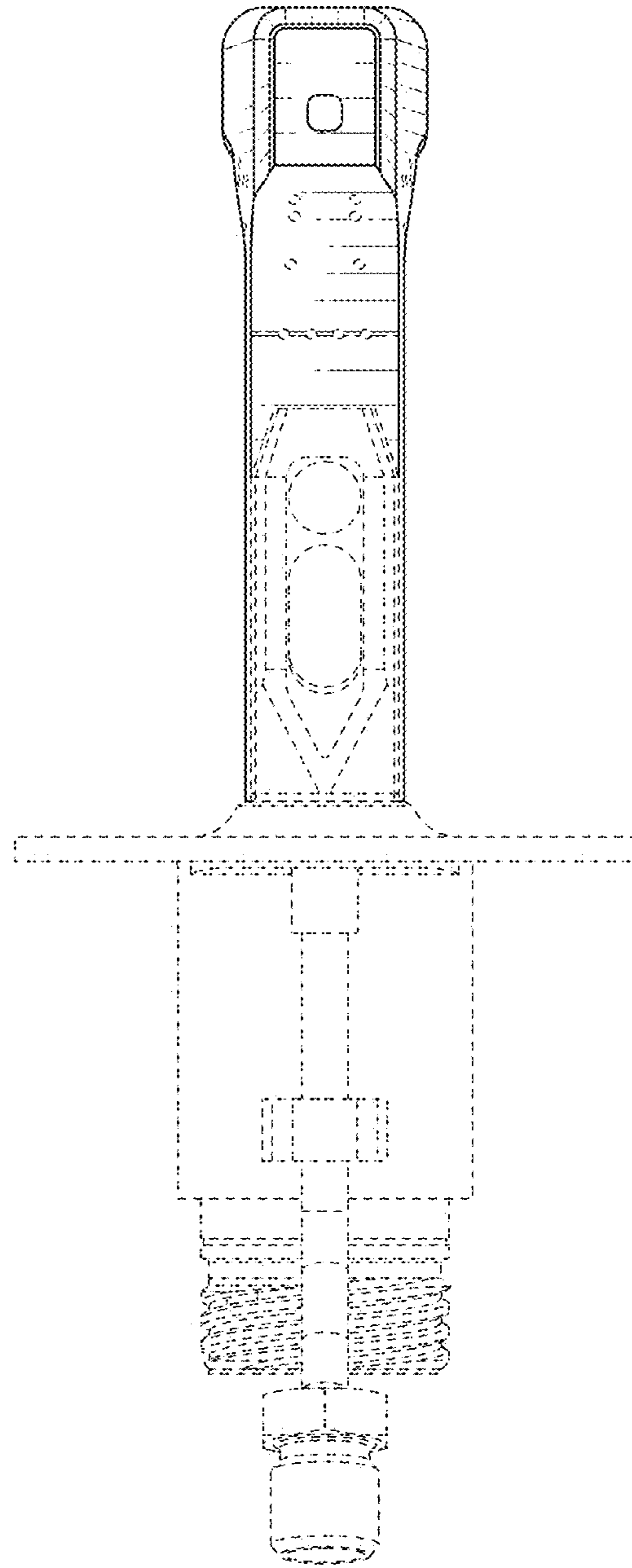


FIG. 3

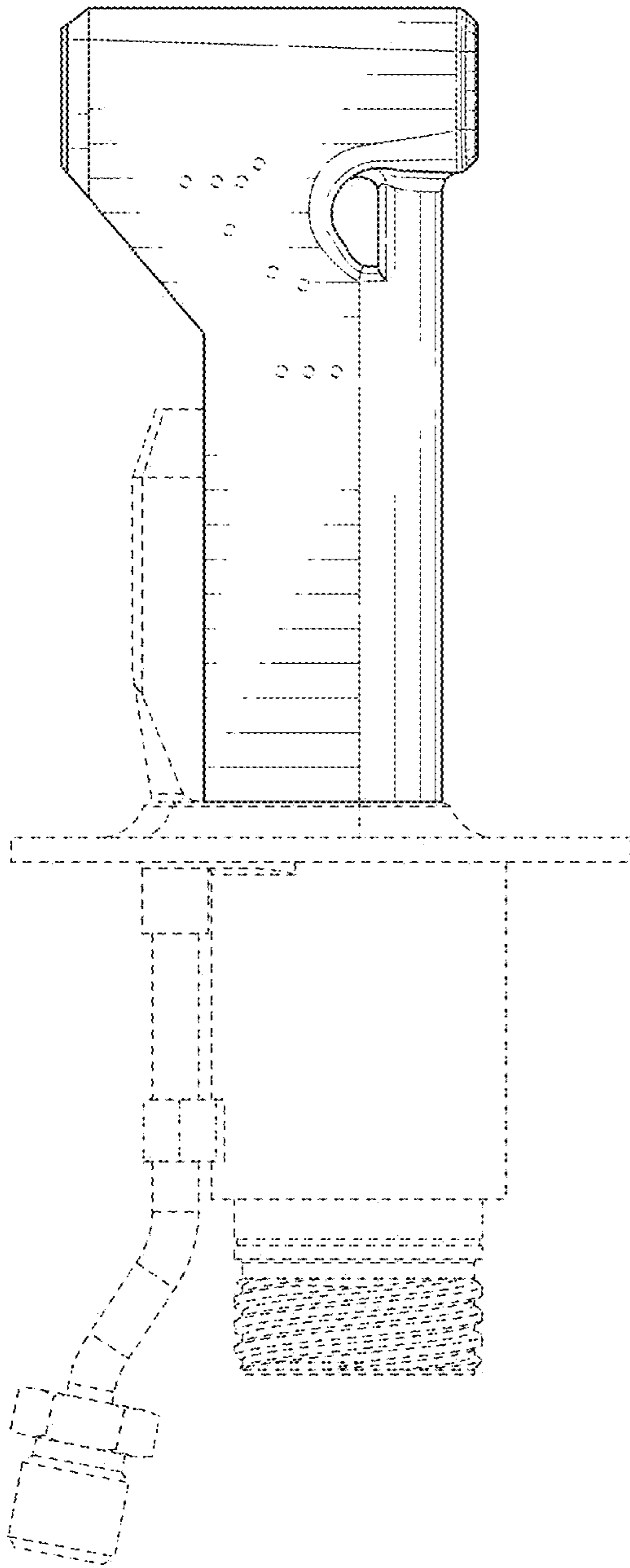


FIG. 4

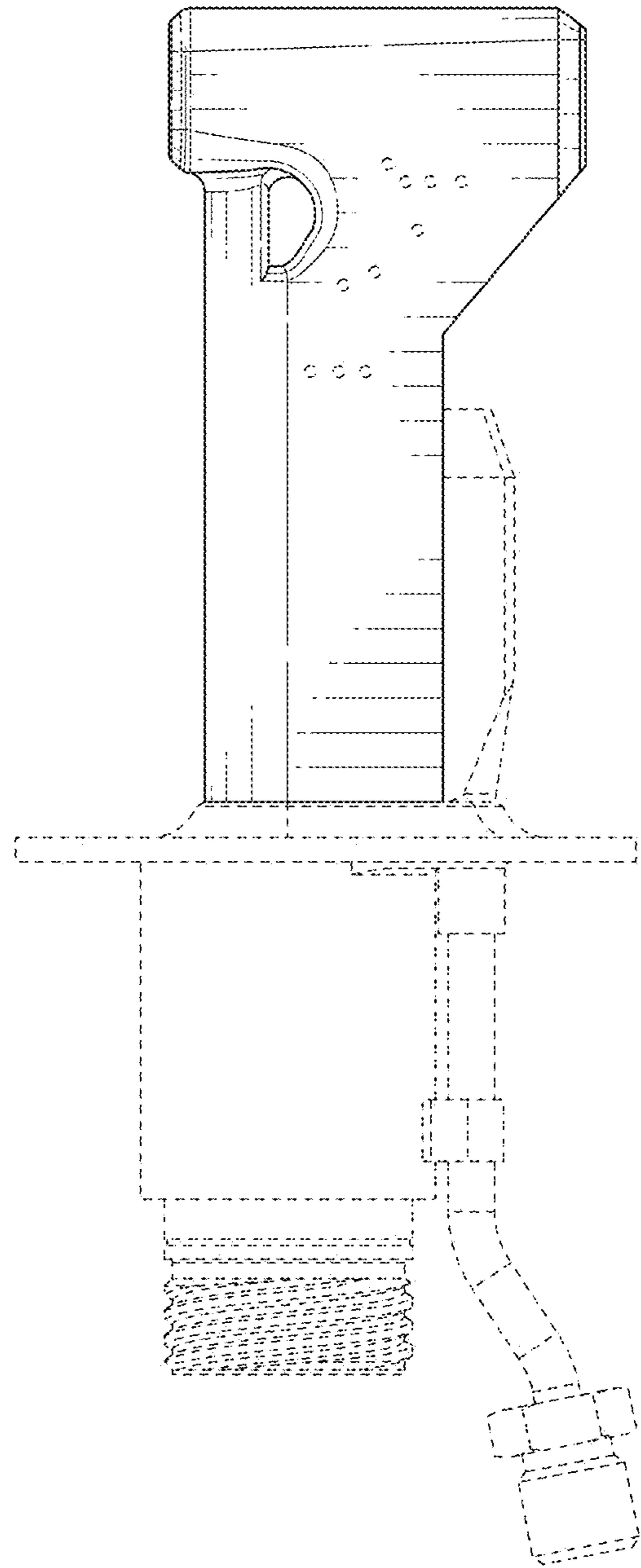


FIG. 5

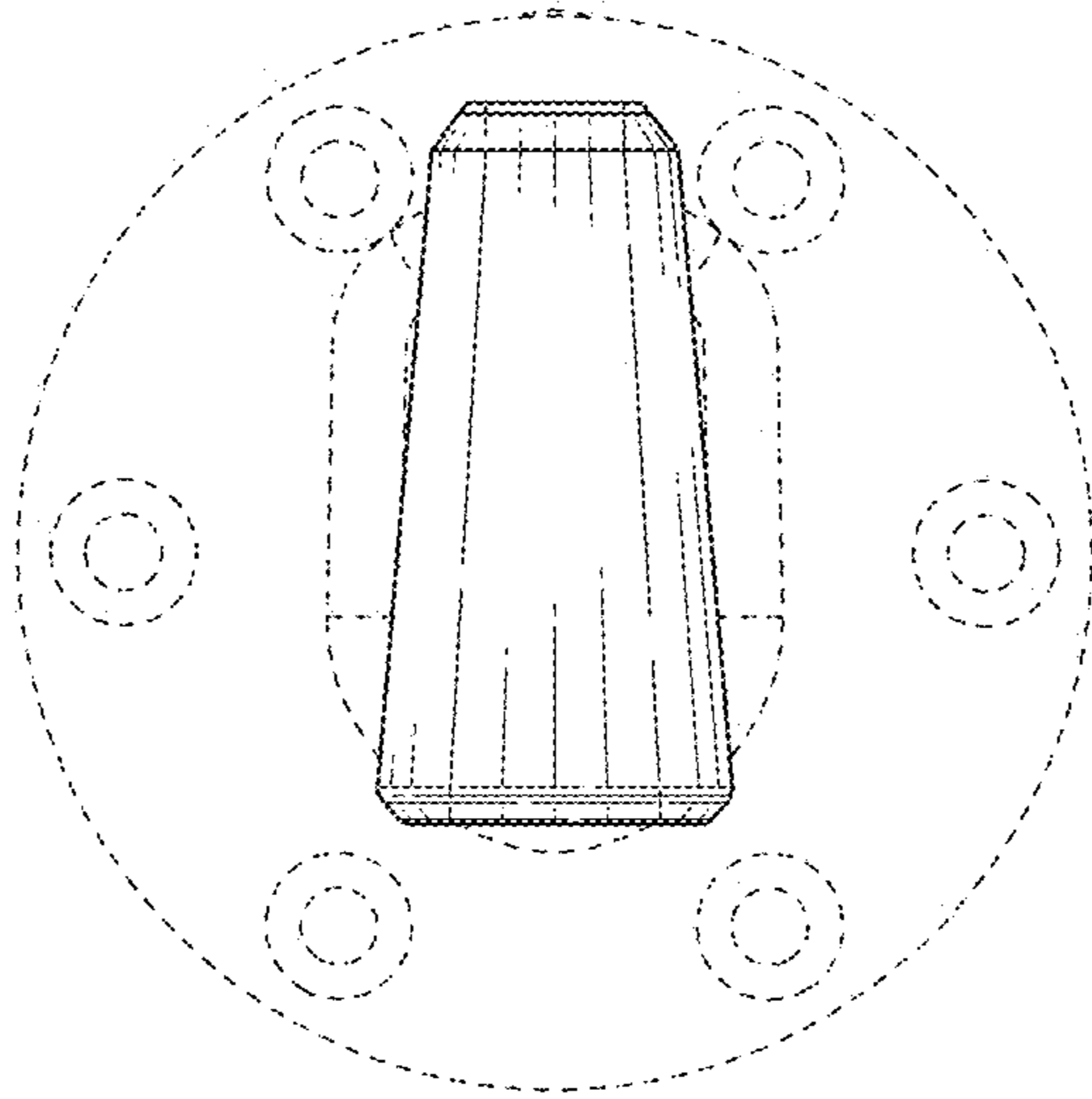


FIG. 6

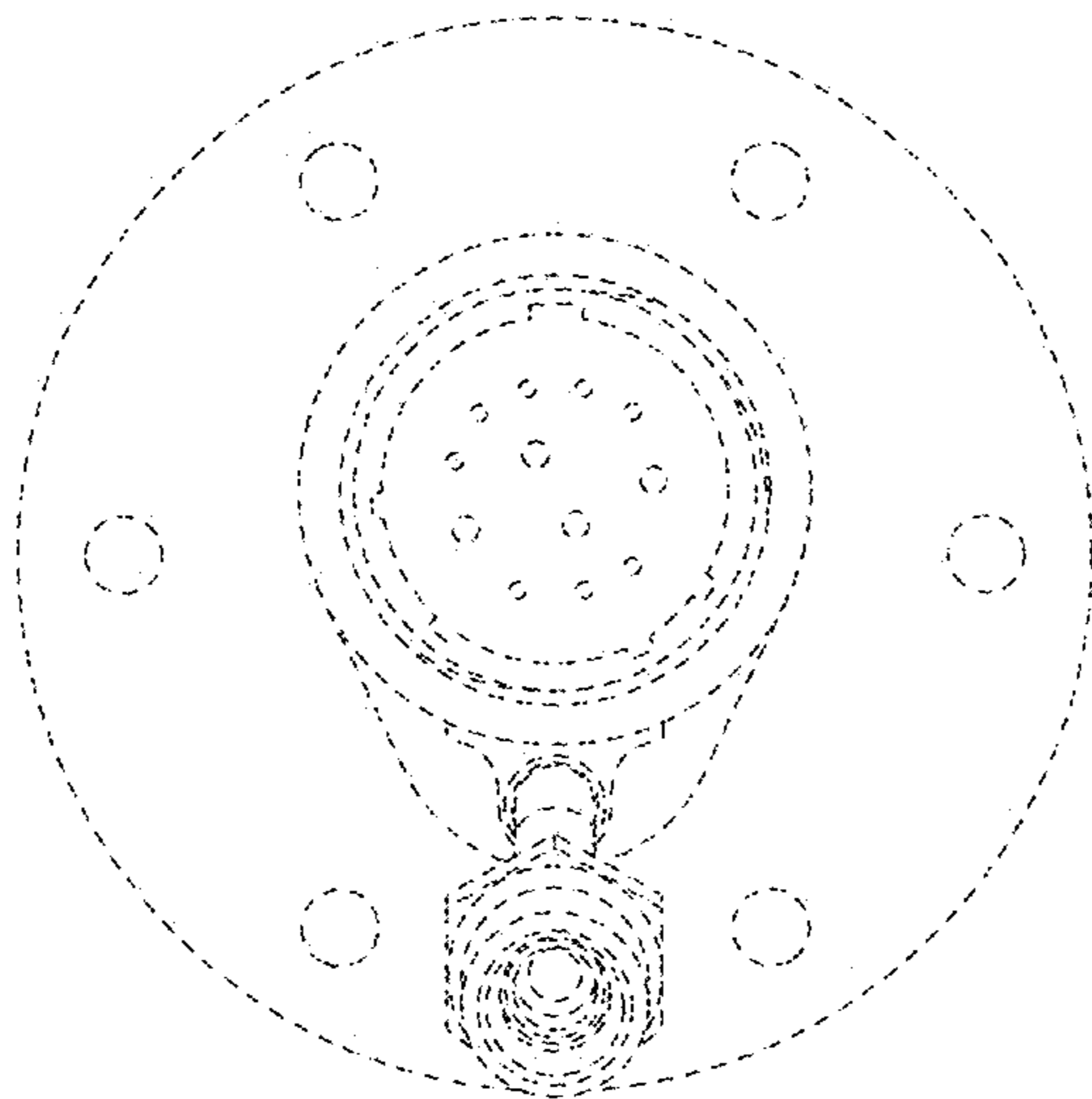


FIG. 7

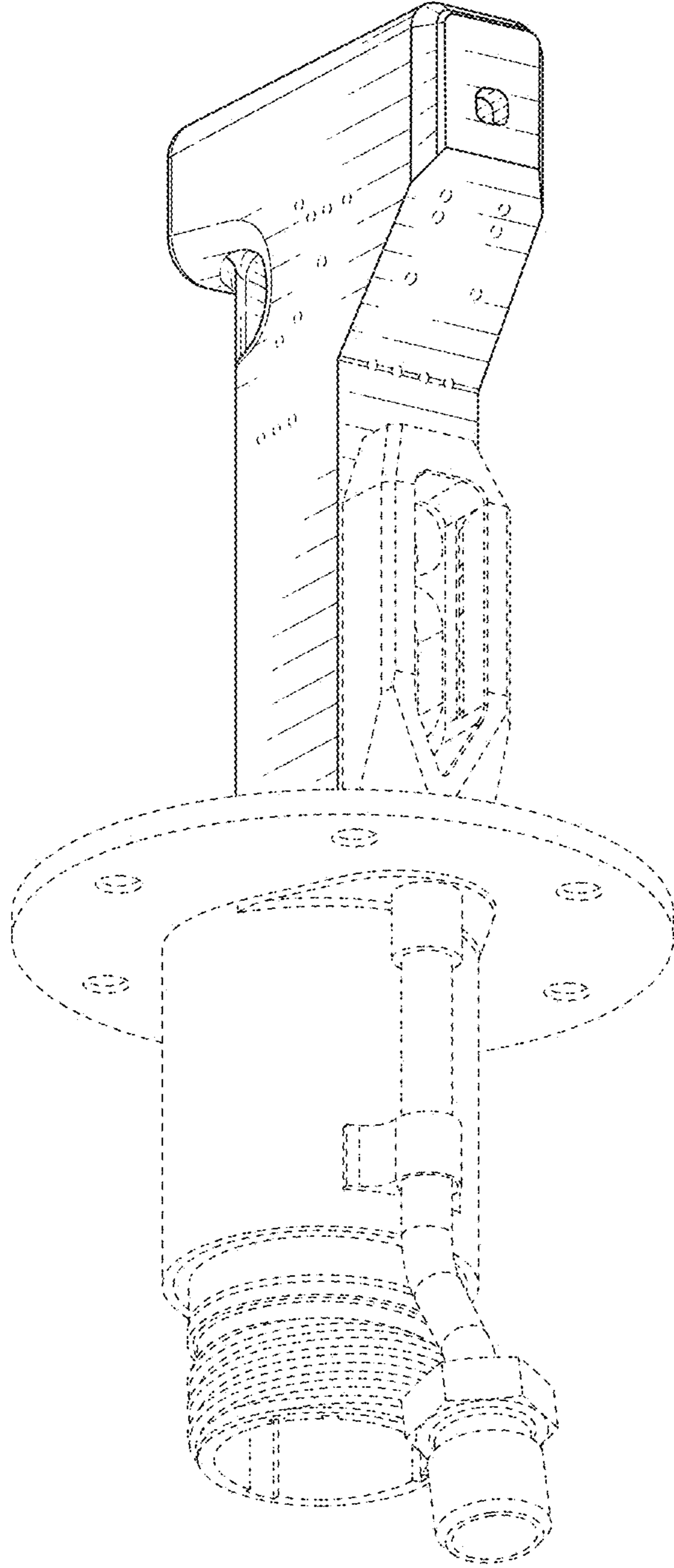


FIG. 8