



US00D976137S

(12) **United States Design Patent**  
**Lippert et al.**

(10) **Patent No.:** **US D976,137 S**  
(45) **Date of Patent:** **\*\* Jan. 24, 2023**

(54) **FLOW ASSEMBLY**

(71) Applicant: **Endress+Hauser Conducta GmbH+Co. KG**, Gerlingen (DE)

(72) Inventors: **Holger Lippert**, Leipzig (DE); **Thomas Pfauch**, Leipzig (DE)

(73) Assignee: **Endress+Hauser Conducta GmbH+Co. KG**, Gerlingen (DE)

(\*\*) Term: **15 Years**

(21) Appl. No.: **29/767,736**

(22) Filed: **Jan. 25, 2021**

(30) **Foreign Application Priority Data**

Jul. 24, 2020 (EM) ..... 008052534-0012

(51) **LOC (14) Cl.** ..... **10-04**

(52) **U.S. Cl.**  
USPC ..... **D10/81**; D10/96; D23/235

(58) **Field of Classification Search**  
USPC ..... D10/46, 81, 96-103; D23/233-235  
CPC ..... G01N 2030/522; G01N 2030/8881; G01N 30/60; G01N 30/6017; G01N 30/38; G01N 30/603; G01N 30/6091; G01N 30/6004; G01N 30/6047; B01D 15/20; B01D 15/18; G01F 15/14; G01F 1/22; G01F 15/185; G01F 15/005; Y10T 137/8158; C02F 1/281; C02F 2201/009; C02F 2305/08; C02F 2201/48; C02F 2303/16; C02F 2101/22; C02F 2101/20; Y02W 10/37; Y02W 10/33; Y02A 20/212  
See application file for complete search history.

(56) **References Cited**

**U.S. PATENT DOCUMENTS**

D376,549 S \* 12/1996 Stimpfig ..... D10/96  
6,171,486 B1 \* 1/2001 Green ..... G01N 30/6091  
210/656  
8,336,375 B2 \* 12/2012 Thai ..... G01F 15/14  
73/199  
D712,769 S \* 9/2014 Betsinger ..... D10/101

(Continued)

**FOREIGN PATENT DOCUMENTS**

CN 306978037 \* 11/2021  
EM 000521372-0002 \* 5/2006

(Continued)

**OTHER PUBLICATIONS**

Endress+Hauser, Technical Information Flowfit CCA151, Date first available Oct. 27, 2017, [online]retrieved May 24, 2022, available from [https://bdih-prod-assetcentralapi-assetcentral-restsrv.cfapps.eu10.hana.ondemand.com/files/DLA/005056A500261EE7AEDC3E9702C1CE19/TI01357CEN\\_0117.pdf](https://bdih-prod-assetcentralapi-assetcentral-restsrv.cfapps.eu10.hana.ondemand.com/files/DLA/005056A500261EE7AEDC3E9702C1CE19/TI01357CEN_0117.pdf) (Year: 2017).\*

Endress+Hauser, Technical Information Flowfit CCA250, Date first available Jul. 3, 2009, [online]retrieved May 24, 2022, available from [https://bdih-prod-assetcentralapi-assetcentral-rest-srv.cfapps.eu10.hana.ondemand.com/files/DLA/4A8A5338500D45F4E1000000A35E042/TI062CEN\\_0709.pdf](https://bdih-prod-assetcentralapi-assetcentral-rest-srv.cfapps.eu10.hana.ondemand.com/files/DLA/4A8A5338500D45F4E1000000A35E042/TI062CEN_0709.pdf) (Year: 2009).\*

(Continued)

*Primary Examiner* — Keli L Hill

*Assistant Examiner* — Sara S Sahneh

(74) *Attorney, Agent, or Firm* — Mark A. Logan;  
Endress+Hauser (USA) Holding, Inc.

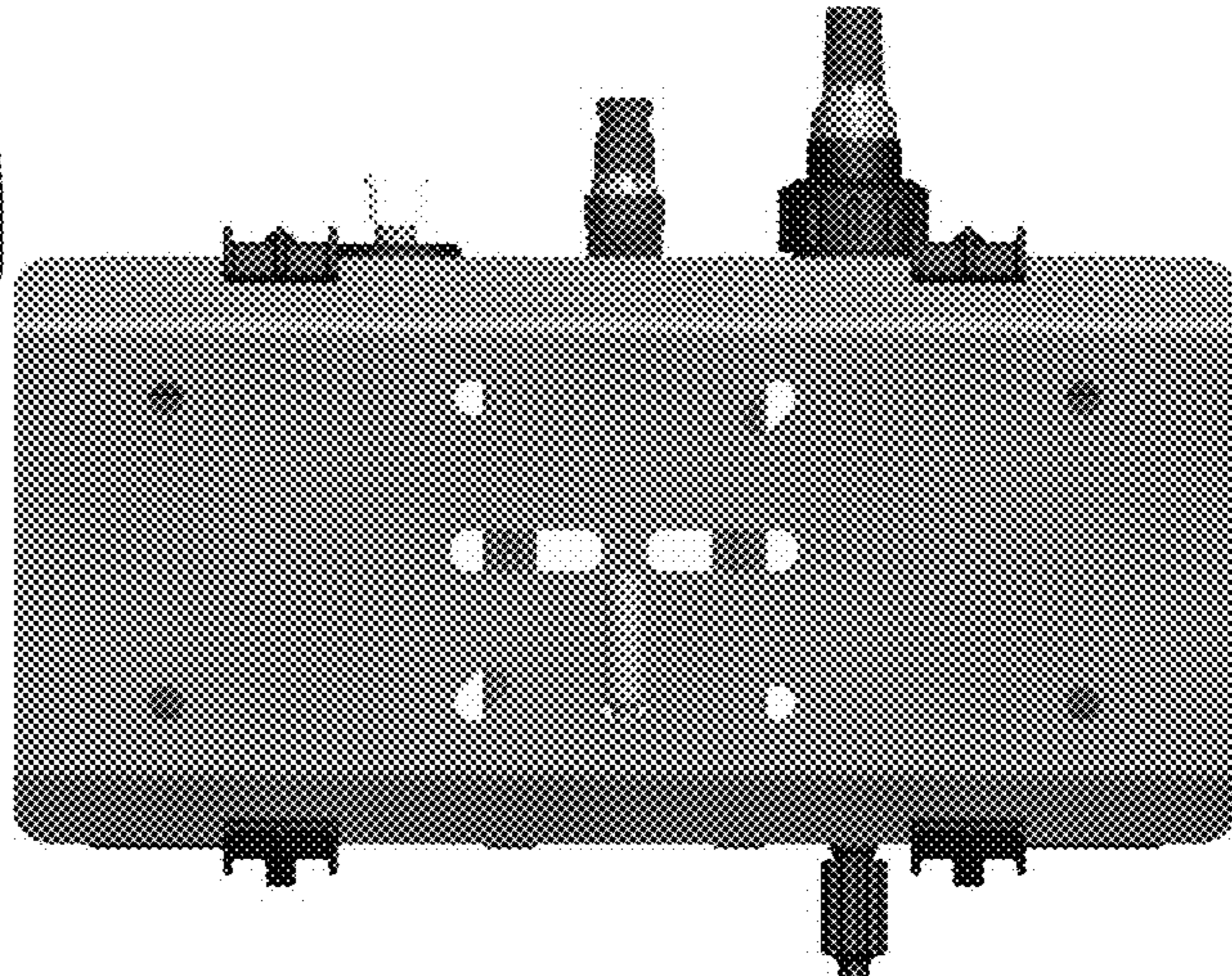
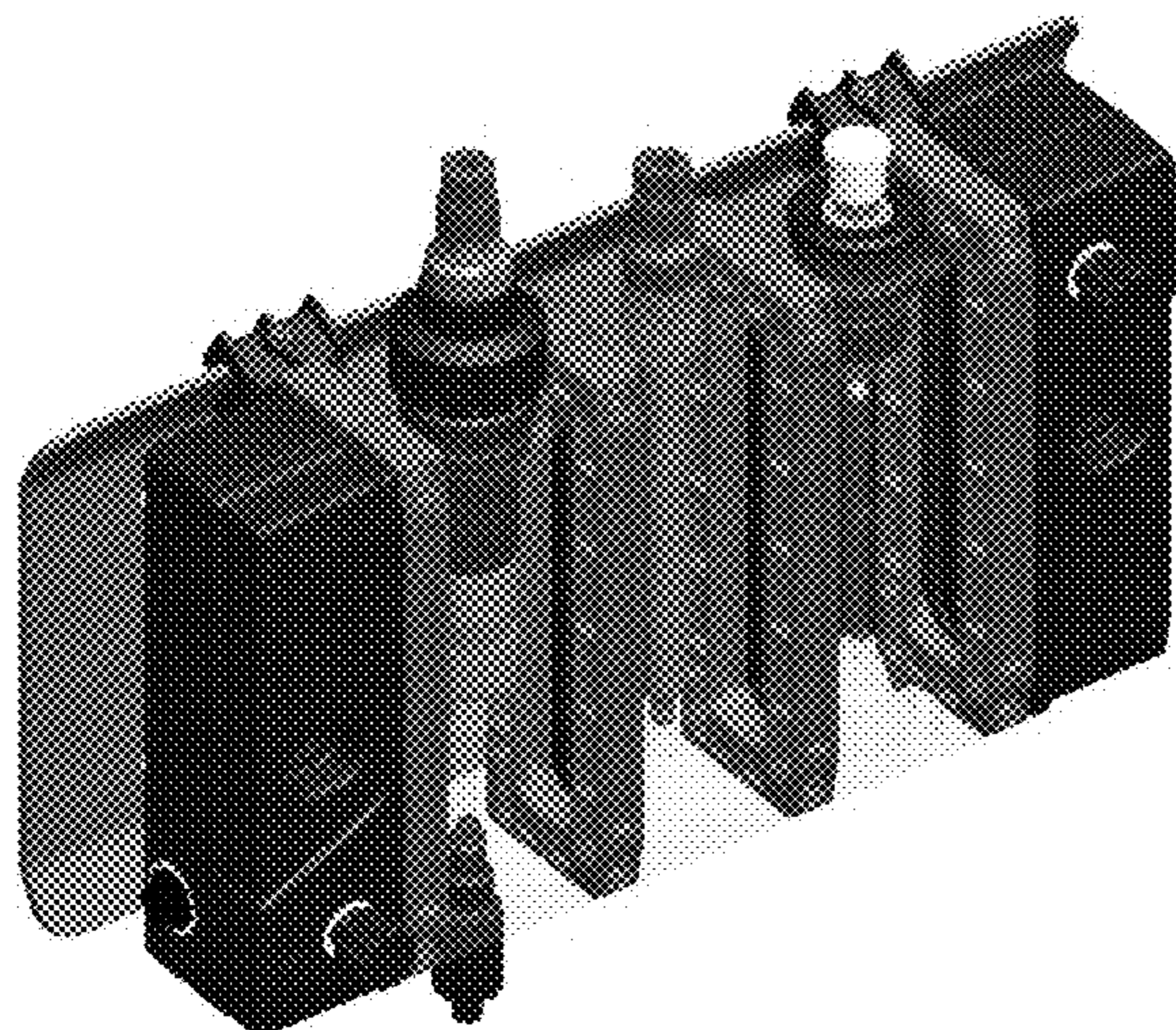
(57) **CLAIM**

The ornamental design for a flow assembly, as shown and described.

**DESCRIPTION**

FIG. 1 is an isometric view of a flow assembly;  
FIG. 2 is a front view of thereof;  
FIG. 3 is a right side view of thereof;  
FIG. 4 is a left side view of thereof;  
FIG. 5 is a top view of thereof;  
FIG. 6 is a bottom view of thereof; and,  
FIG. 7 is a rear view of the thereof.  
The broken lines shown are included for the purpose of illustrating portions of the flow assembly that form no part of the claim.

**1 Claim, 7 Drawing Sheets**



(56)

**References Cited**

U.S. PATENT DOCUMENTS

9,844,741 B2 \* 12/2017 Raedts ..... G01N 30/60  
D828,195 S \* 9/2018 Tschudin ..... D10/96  
10,266,431 B2 \* 4/2019 Jo ..... C22C 9/04  
10,471,404 B2 \* 11/2019 Andreis ..... F16K 31/02  
10,684,268 B2 \* 6/2020 Surman ..... G01N 33/2823  
D913,828 S \* 3/2021 Kurisaki ..... D23/235  
D914,524 S \* 3/2021 Kurisaki ..... D23/235  
D929,543 S \* 8/2021 Okawara ..... D23/233  
D941,690 S \* 1/2022 Frazee ..... D10/99  
2022/0323887 A1 \* 10/2022 Grimm ..... C02F 1/001

FOREIGN PATENT DOCUMENTS

EM 008052534-0009 \* 7/2020  
EM 008597470-0001 \* 6/2021  
JP D1091806 \* 9/1999

OTHER PUBLICATIONS

Endress+Hauser, Technical Information Flowfit CYA27, Date first available Nov. 23, 2020, [online]retrieved May 24, 2022, available from [https://bdih-prod-assetcentralapi-assetcentral-rest-srv.cfapps.eu10.hana.ondemand.com/files/DLA/005056A500261EDB8BC8C721CA57C9DC/TI01559CEN\\_0120.pdf](https://bdih-prod-assetcentralapi-assetcentral-rest-srv.cfapps.eu10.hana.ondemand.com/files/DLA/005056A500261EDB8BC8C721CA57C9DC/TI01559CEN_0120.pdf) (Year: 2020).\*

Endress+Hauser, Installation Instructions Kit CxA O-ring, Date first available Mar. 18, 2021, [online]retrieved May 24, 2022, available from [https://bdih-prod-assetcentralapi-assetcentral-rest-srv.cfapps.eu10.hana.ondemand.com/files/DLA/005056A500261EEBAEBFCCE2C1E81029/EA01355CEN\\_0121.pdf](https://bdih-prod-assetcentralapi-assetcentral-rest-srv.cfapps.eu10.hana.ondemand.com/files/DLA/005056A500261EEBAEBFCCE2C1E81029/EA01355CEN_0121.pdf) (Year: 2021).\*

\* cited by examiner

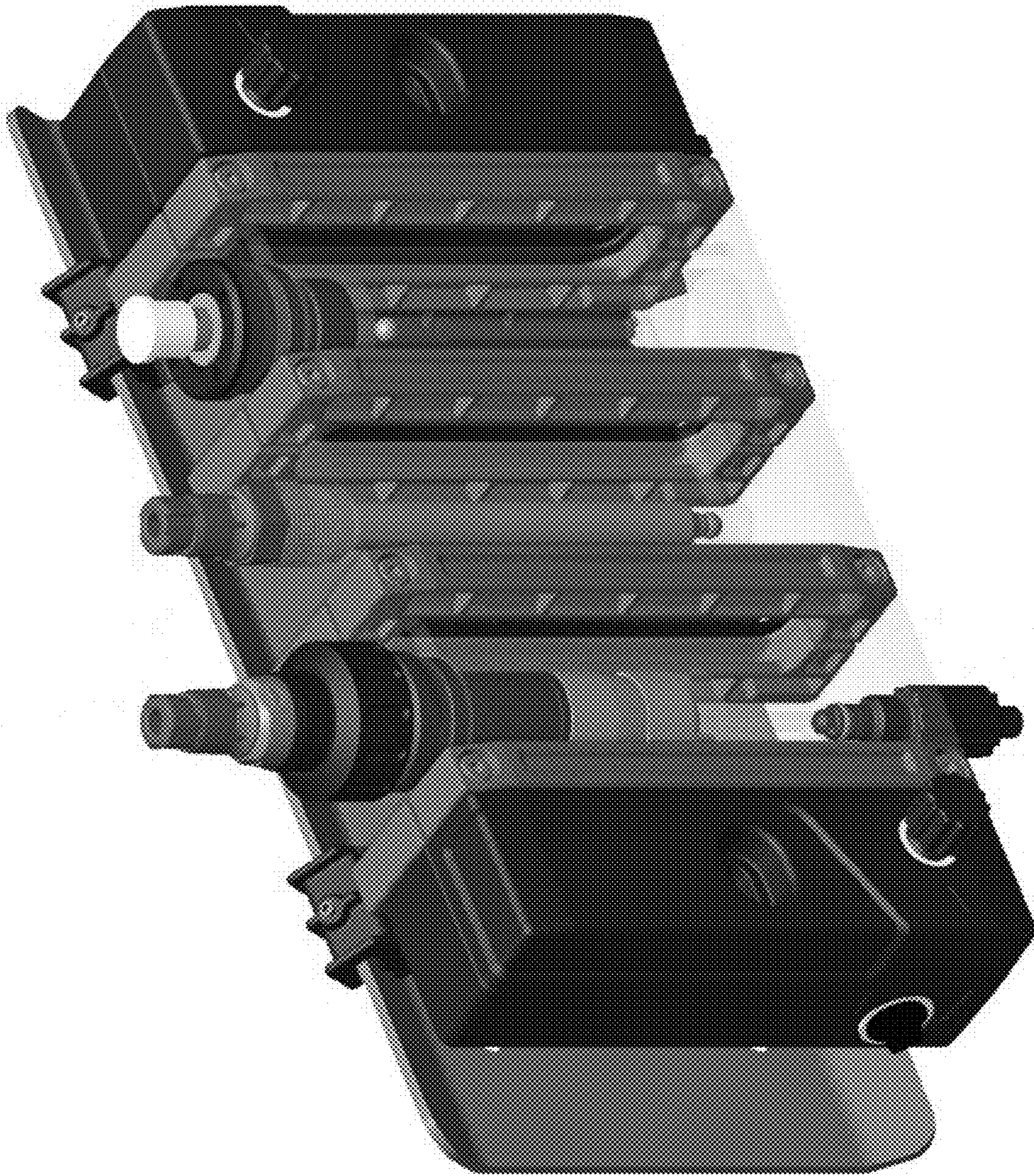


FIG. 1

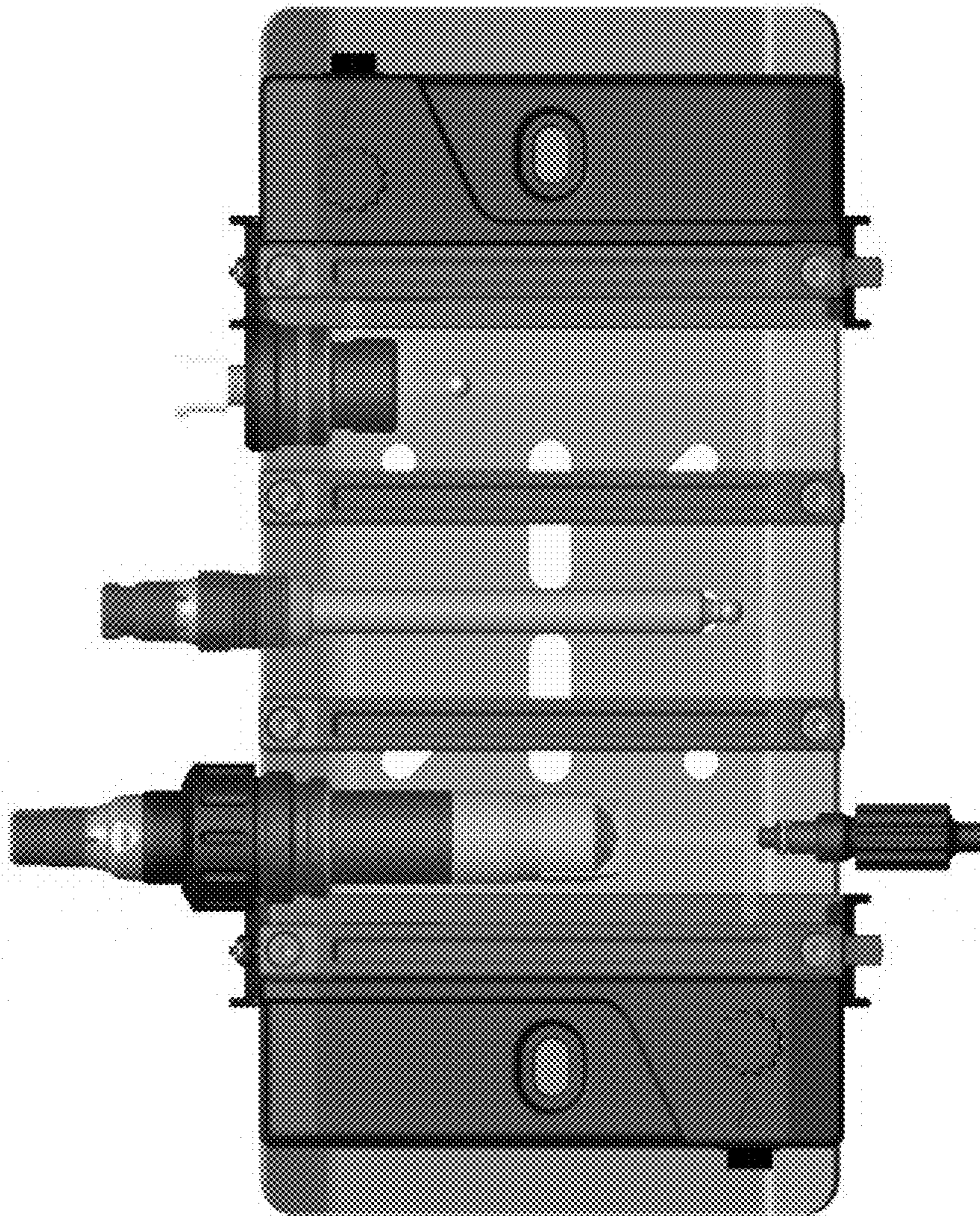


FIG. 2

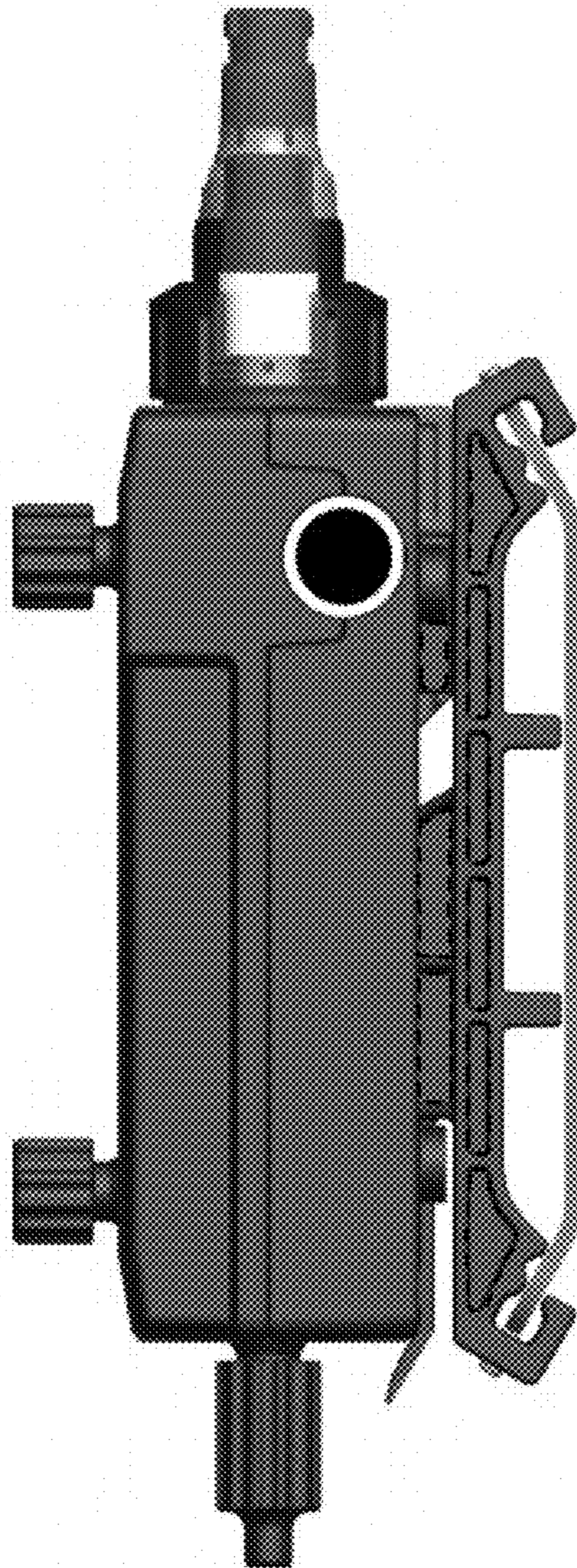


FIG. 3

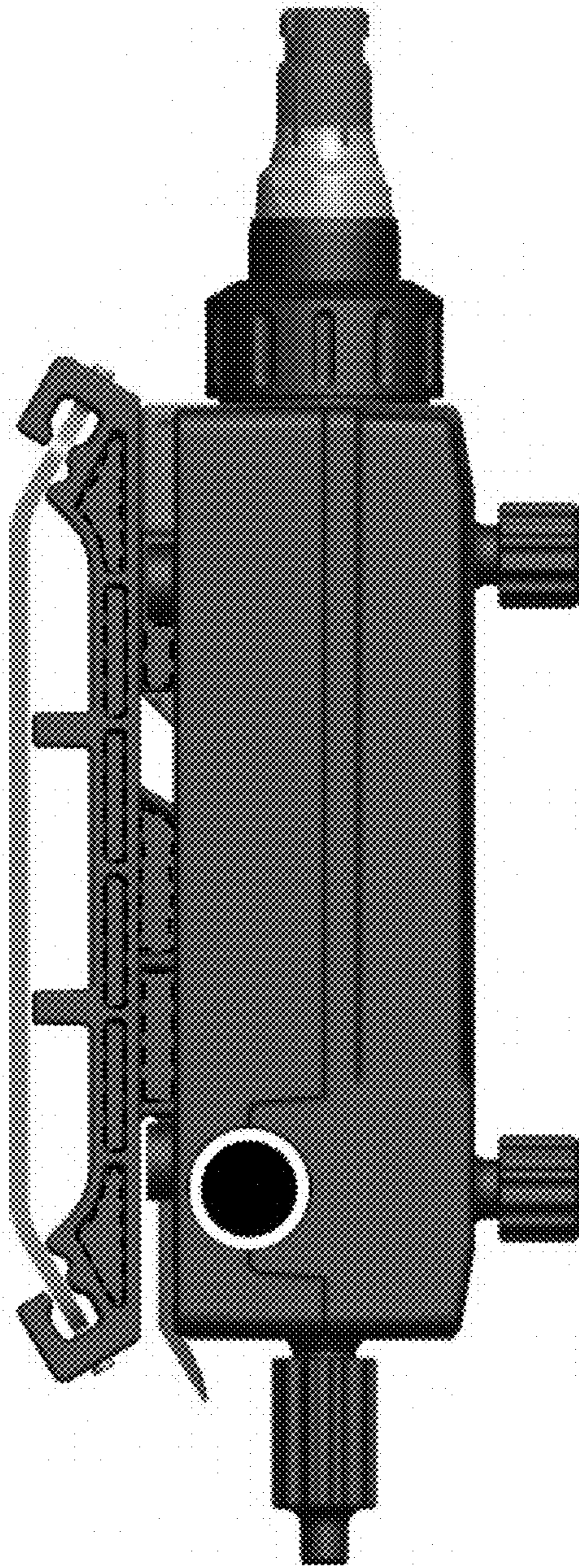


FIG. 4

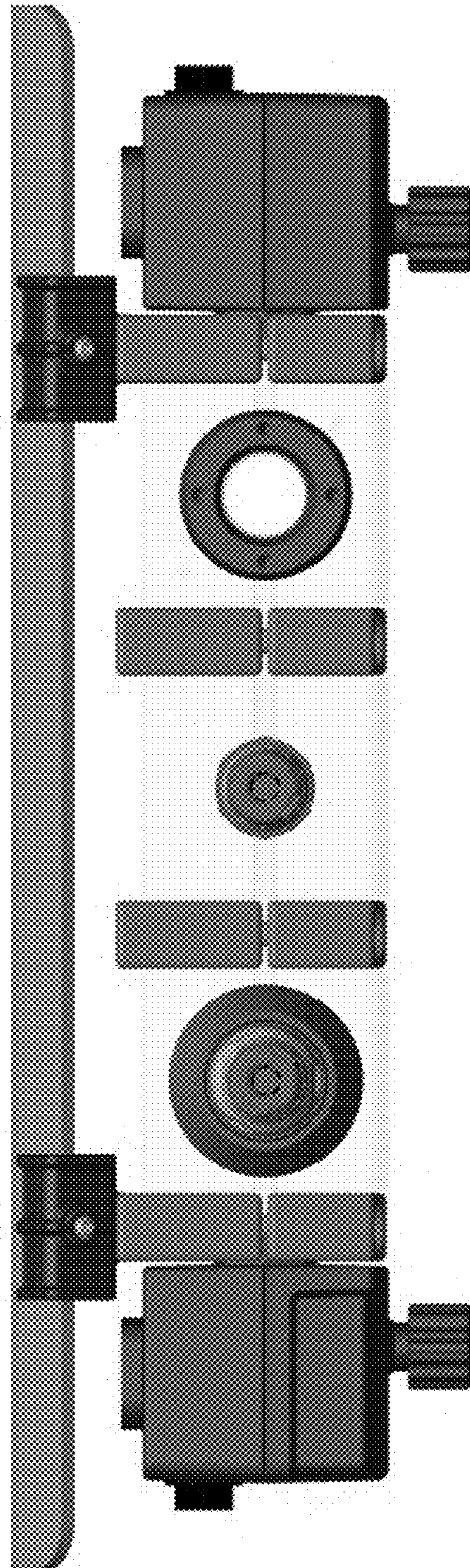


FIG. 5

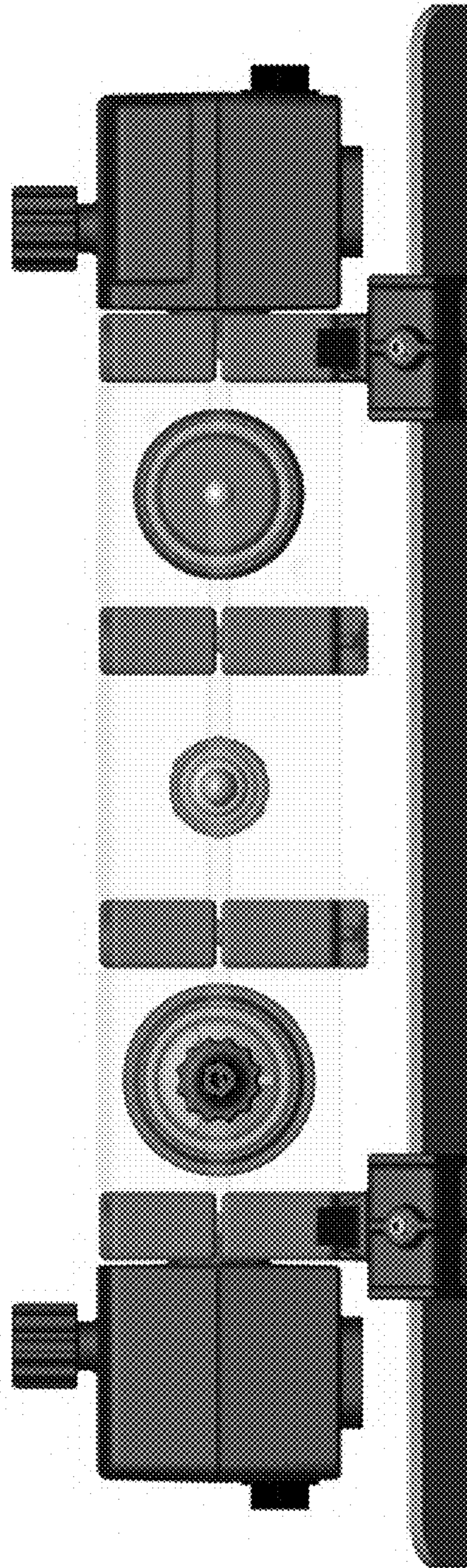


FIG. 6



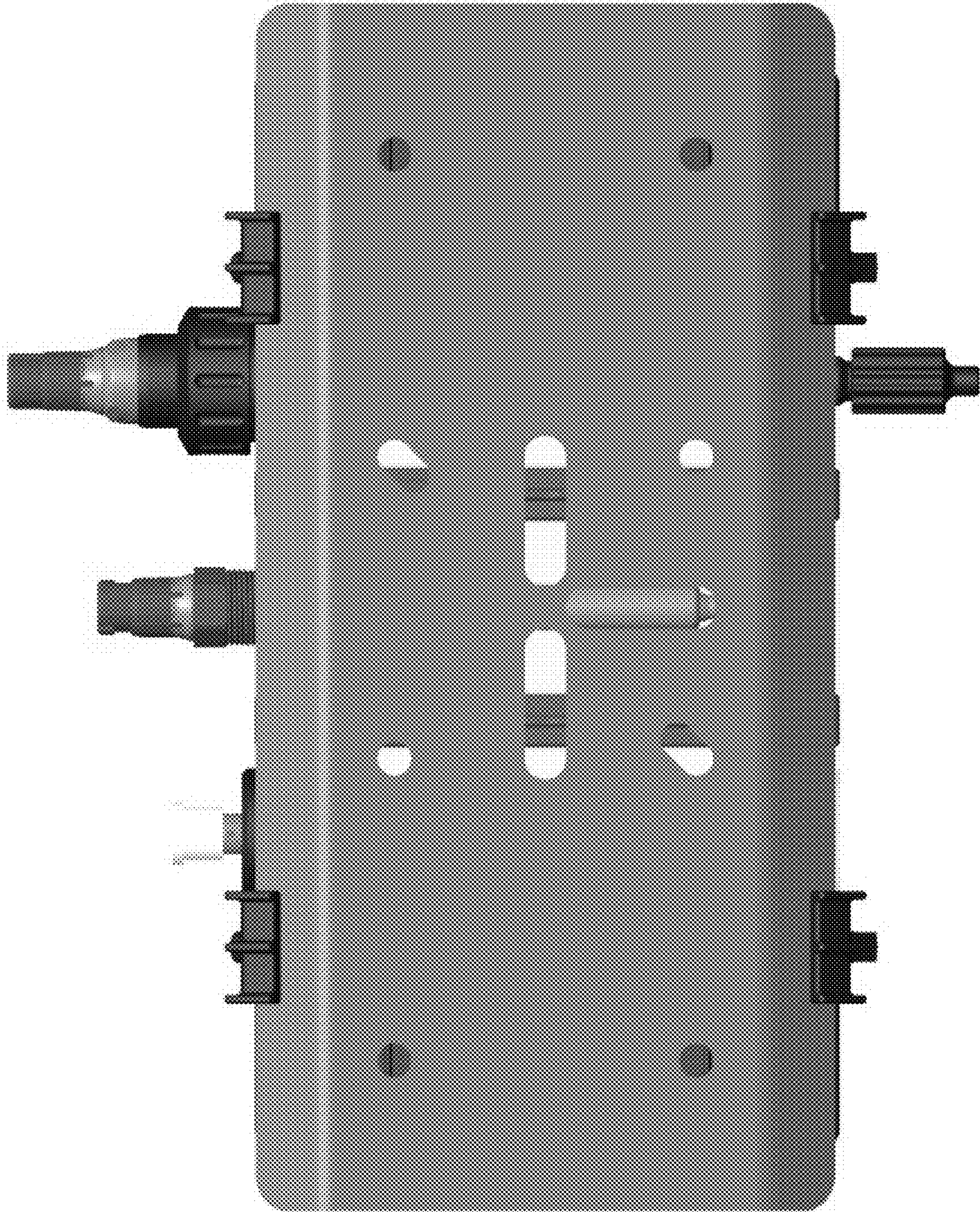


FIG. 7