



US00D976130S

(12) **United States Design Patent**
Zou et al.

(10) **Patent No.:** **US D976,130 S**

(45) **Date of Patent:** **** Jan. 24, 2023**

(54) **THERMOMETER**

D560,126 S *	1/2008	Frake	D10/57
D648,355 S *	11/2011	Lee	D15/27
D937,104 S *	11/2021	Lei	D10/60
D948,356 S *	4/2022	Singh	D10/60

(71) Applicant: **EASY HEALTHCARE CORPORATION**, Burr Ridge, IL (US)

* cited by examiner

(72) Inventors: **Li Zou**, Burr Ridge, IL (US); **Xiaolian Liu**, Burr Ridge, IL (US); **Xuenian Tian**, Guangzhou (CN)

Primary Examiner — Antoine Duval Davis
(74) *Attorney, Agent, or Firm* — Chun-Ming Shih;
Lanway IPR Services

(73) Assignee: **EASY HEALTHCARE CORPORATION**, Burr Ridge, IL (US)

(**) Term: **15 Years**

(57) **CLAIM**

The ornamental design for a thermometer, as shown and described.

(21) Appl. No.: **29/779,444**

(22) Filed: **Apr. 19, 2021**

DESCRIPTION

(51) **LOC (14) Cl.** **10-04**

(52) **U.S. Cl.**
USPC **D10/60**

(58) **Field of Classification Search**
USPC D10/57, 60
CPC G01K 1/083; G01K 1/18; G01K 13/002;
G01K 1/14; G01K 5/38; G01K 5/58;
G01K 5/60; G01K 13/00; G01K 13/08;
G01K 13/10

FIG. 1 is a front perspective view of a thermometer showing the new design;
FIG. 2 is a back perspective view thereof;
FIG. 3 is a front view thereof;
FIG. 4 is a rear view thereof;
FIG. 5 is a left side elevational view thereof;
FIG. 6 is a right side elevational view thereof;
FIG. 7 is a top view thereof;
FIG. 8 is a bottom view thereof;
FIG. 9 is a other perspective view thereof;
FIG. 10 is a use of state view thereof; and,
FIG. 11 is a other design reference view.

See application file for complete search history.

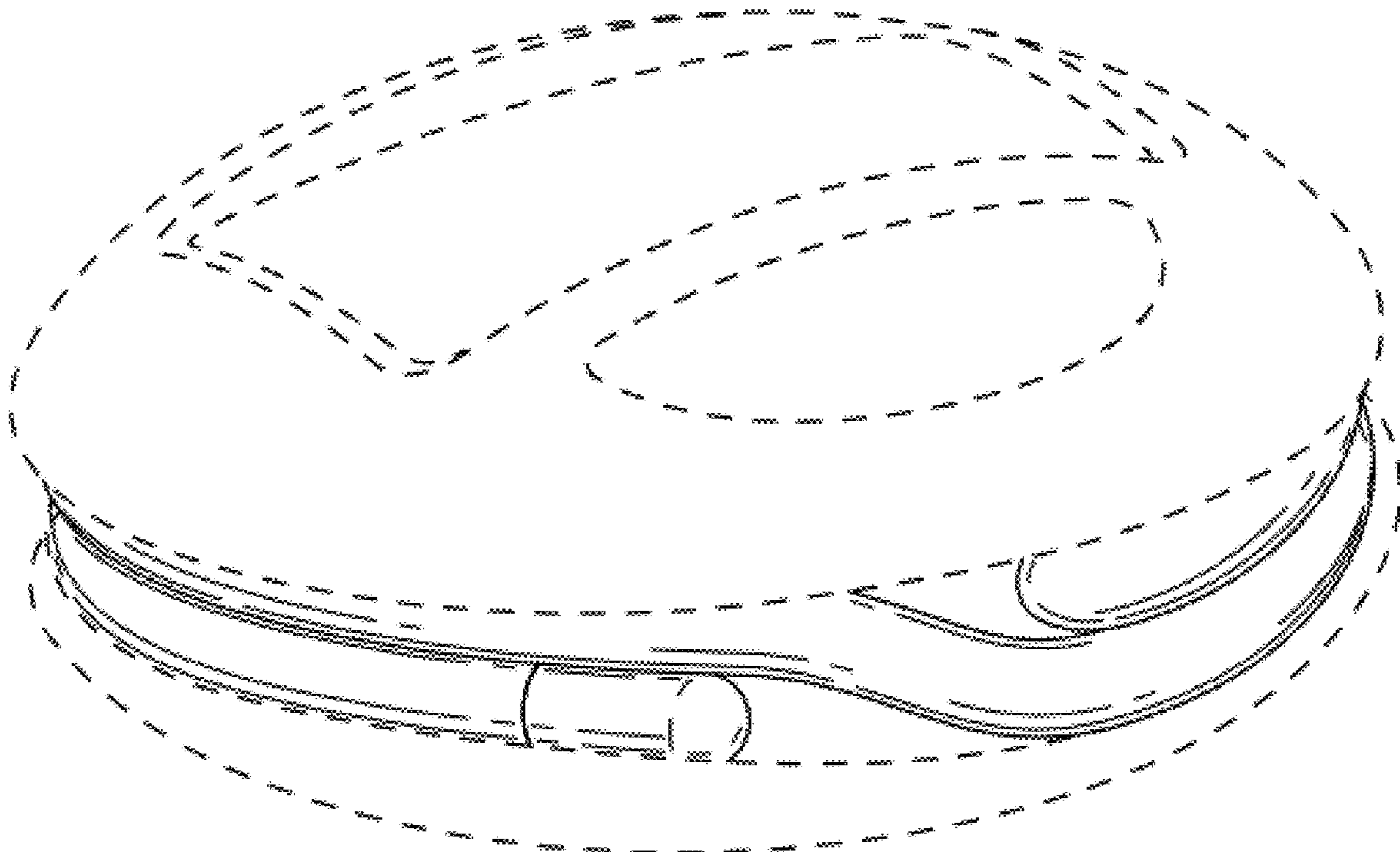
The broken lines shown represent unclaimed subject matter and form no part of the claimed design.

(56) **References Cited**

U.S. PATENT DOCUMENTS

D457,078 S *	5/2002	Devlin	D10/57
D490,327 S *	5/2004	Lussier	D10/57

1 Claim, 11 Drawing Sheets



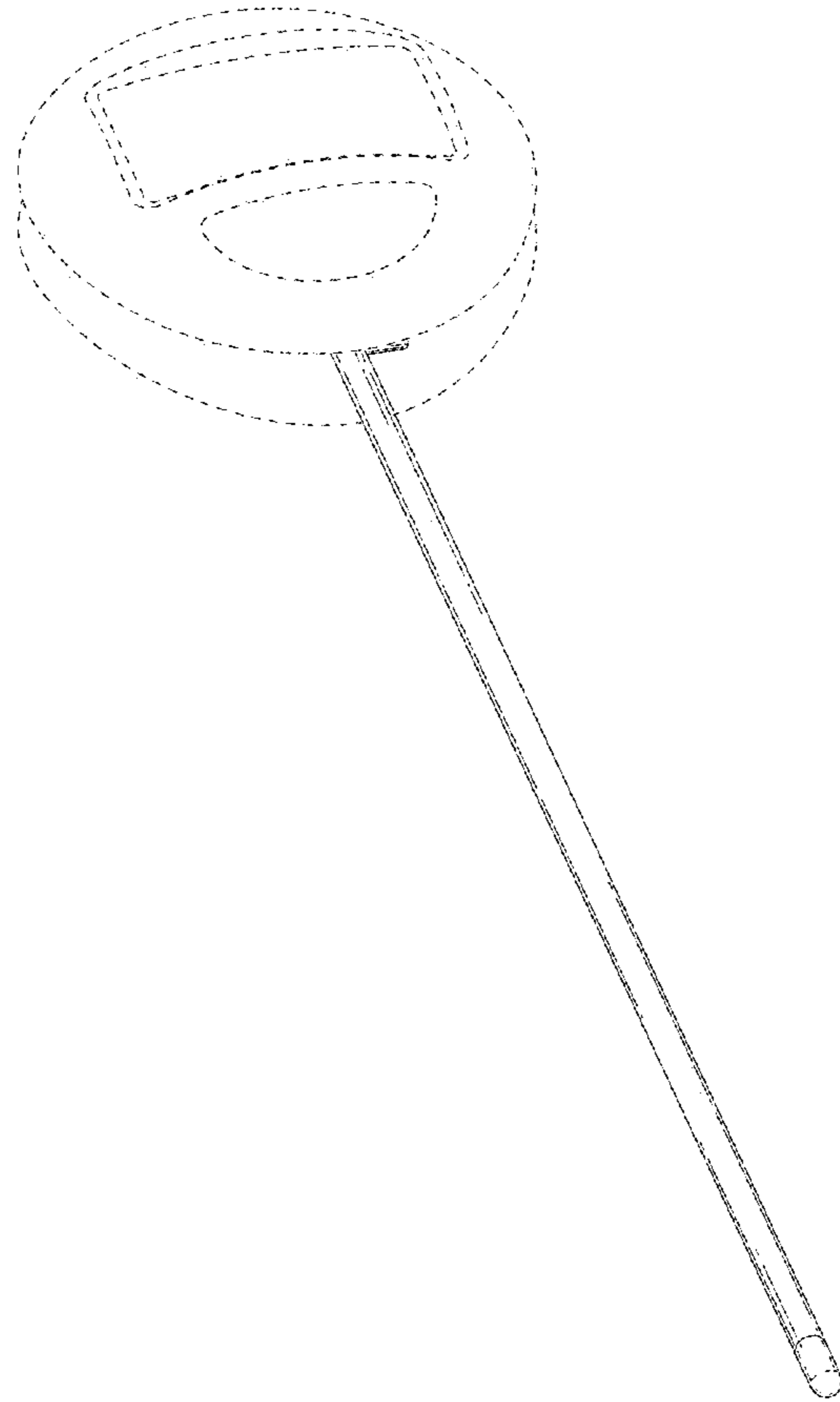


FIG.1

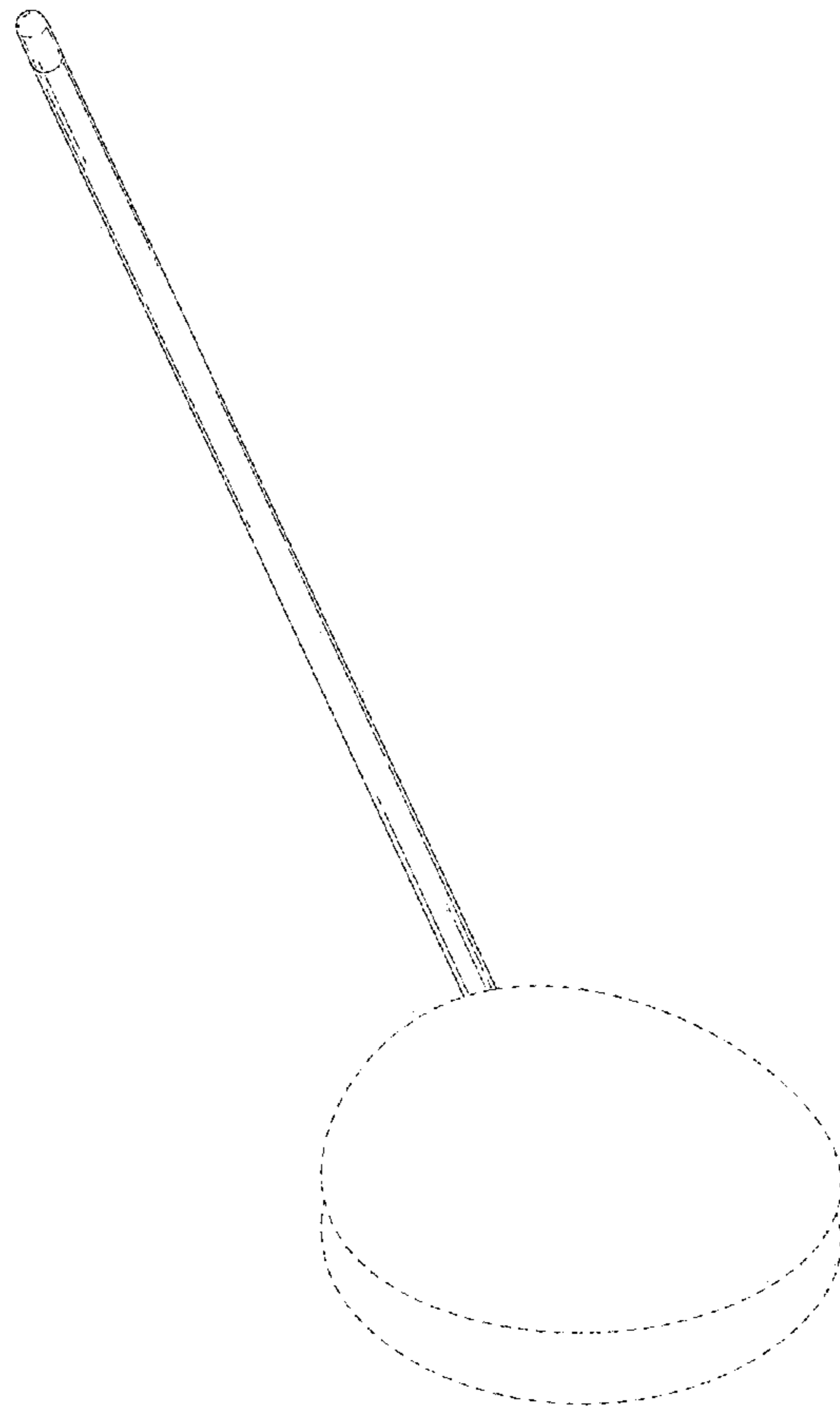


FIG.2

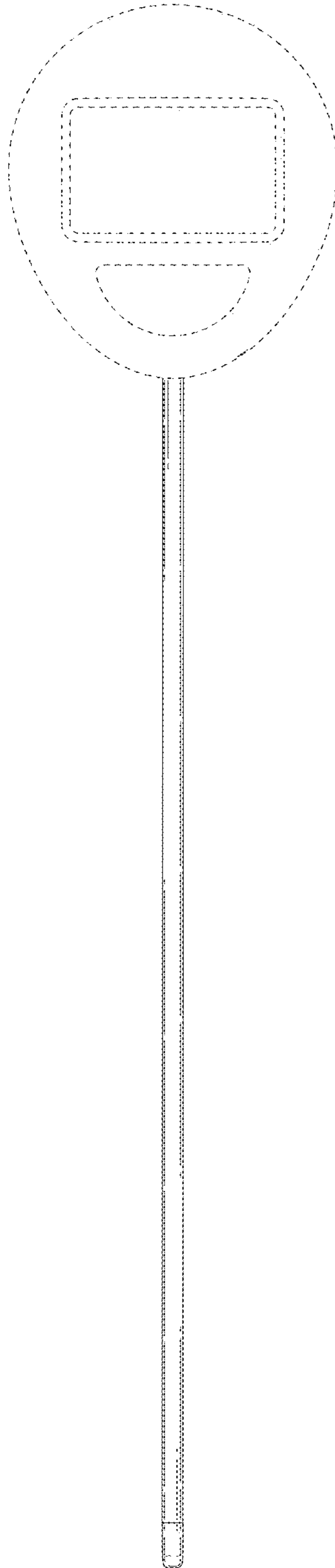


FIG.3

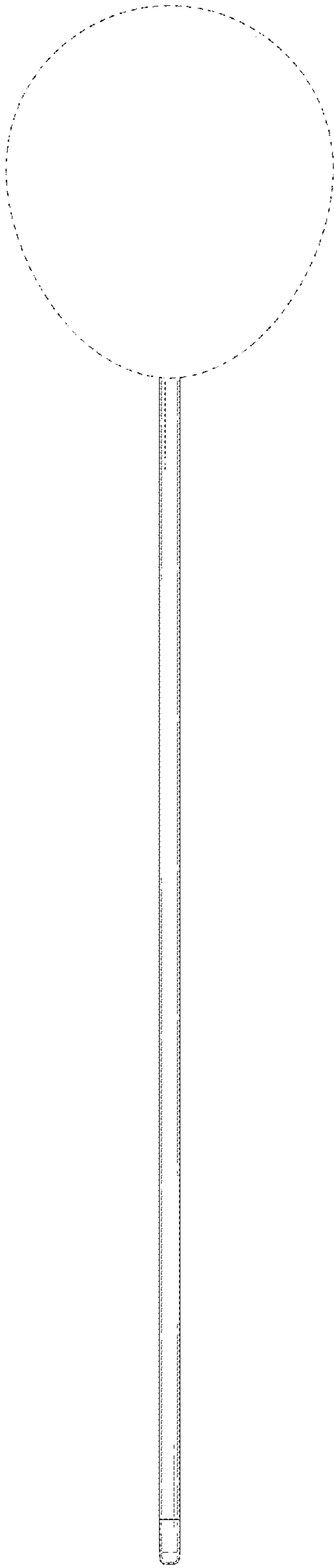


FIG.4

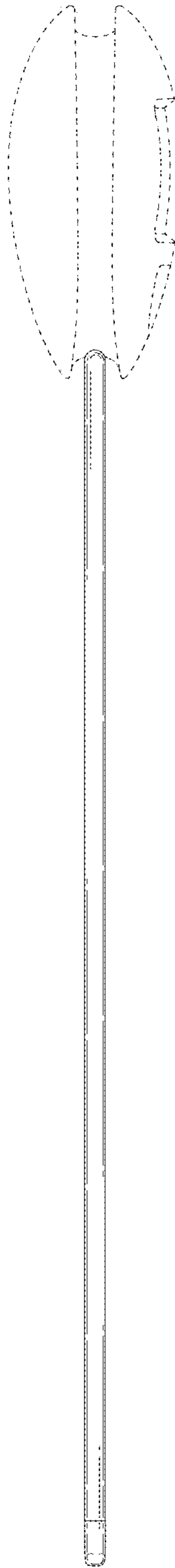


FIG.5

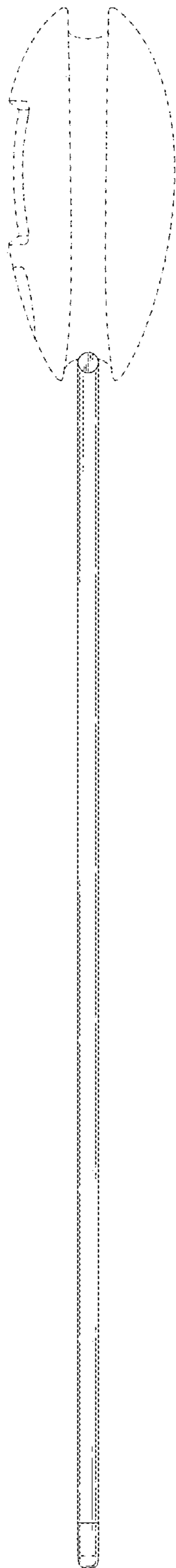


FIG.6

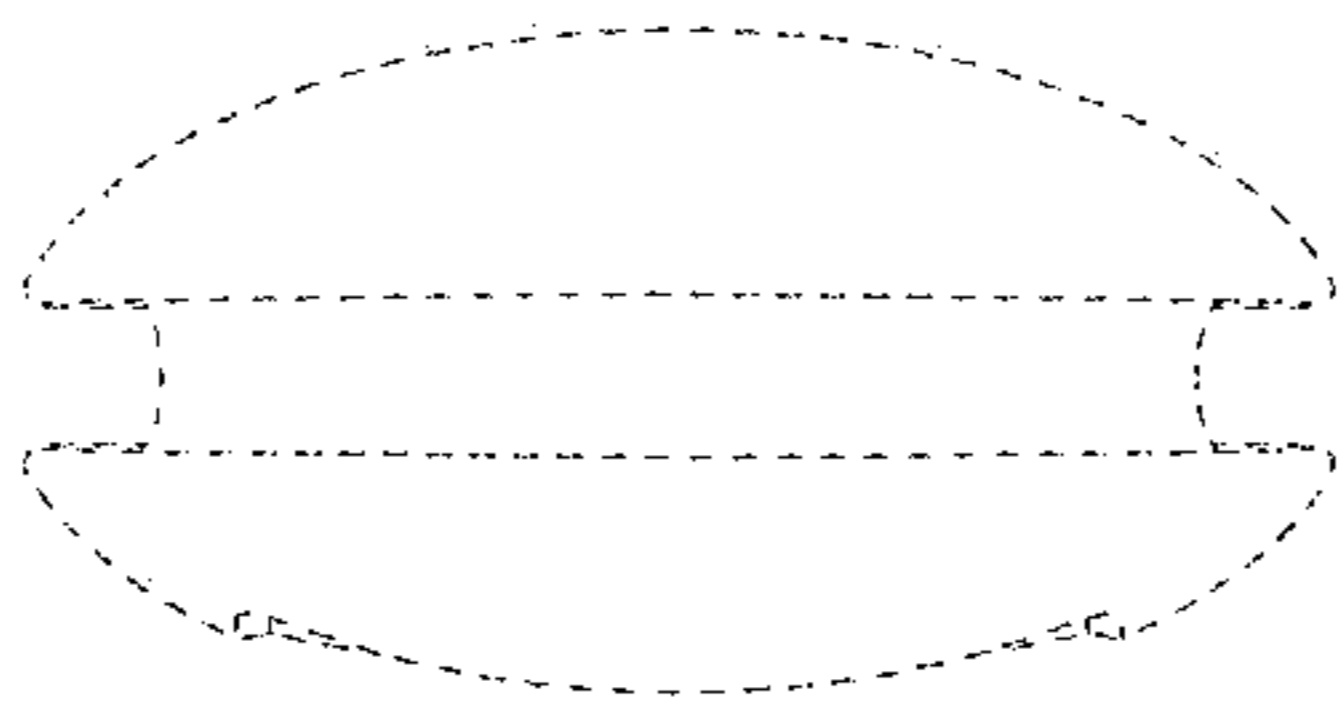


FIG.7

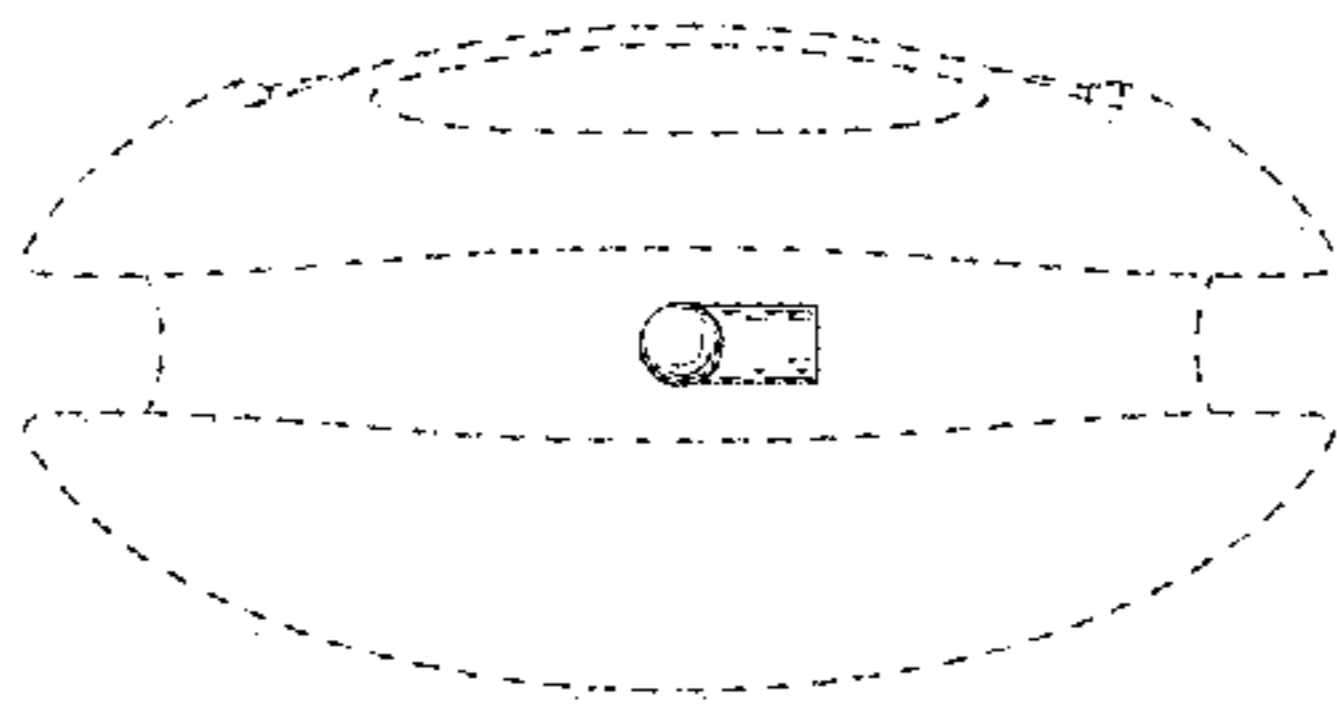


FIG.8

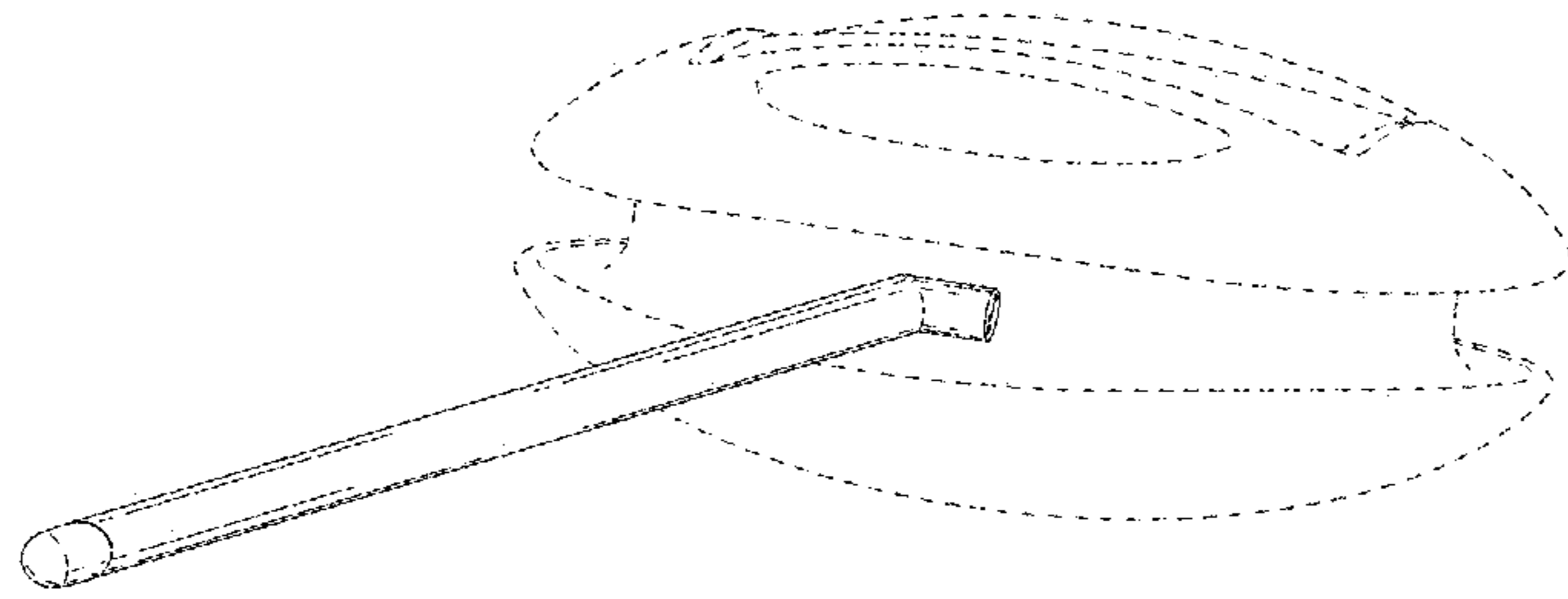


FIG.9

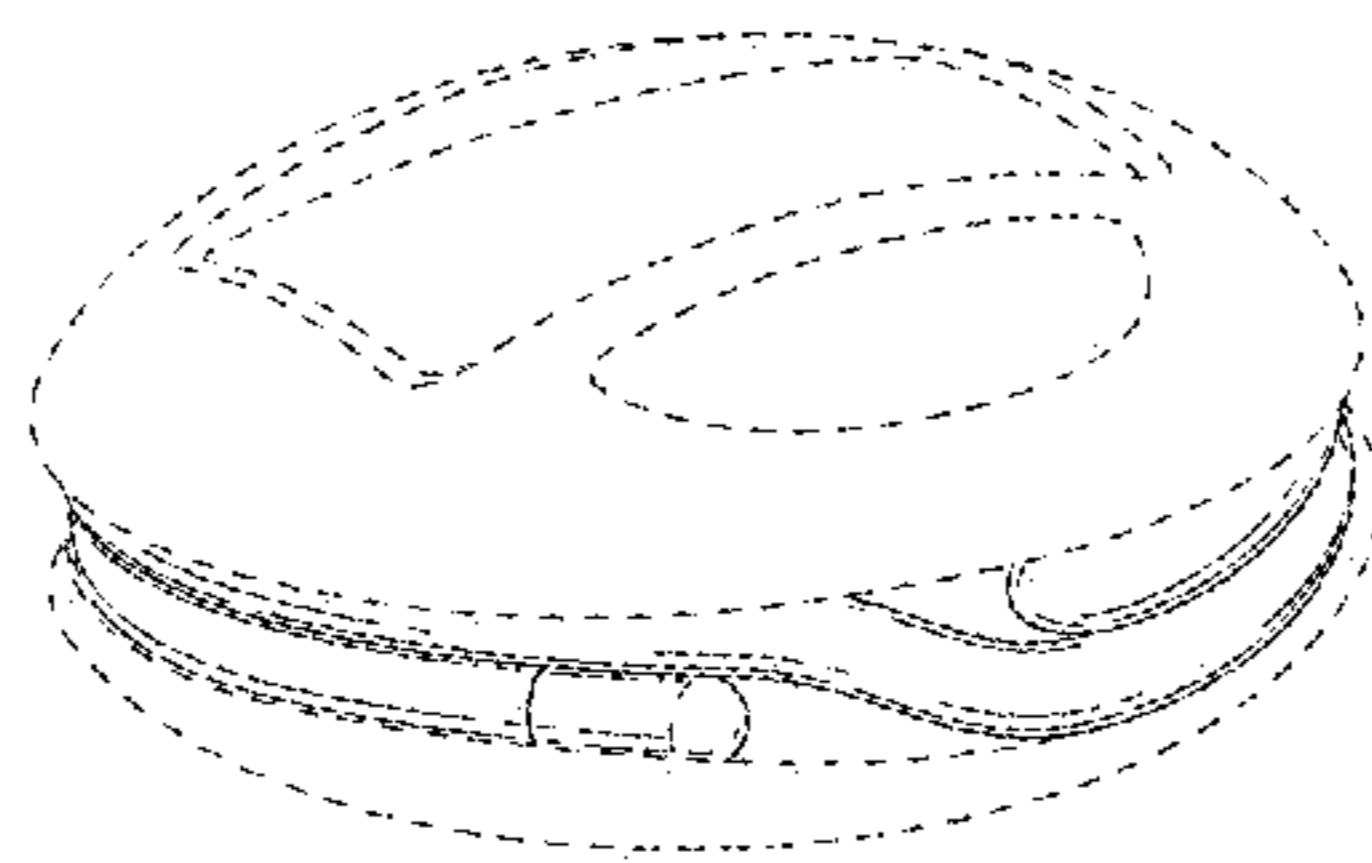


FIG.10

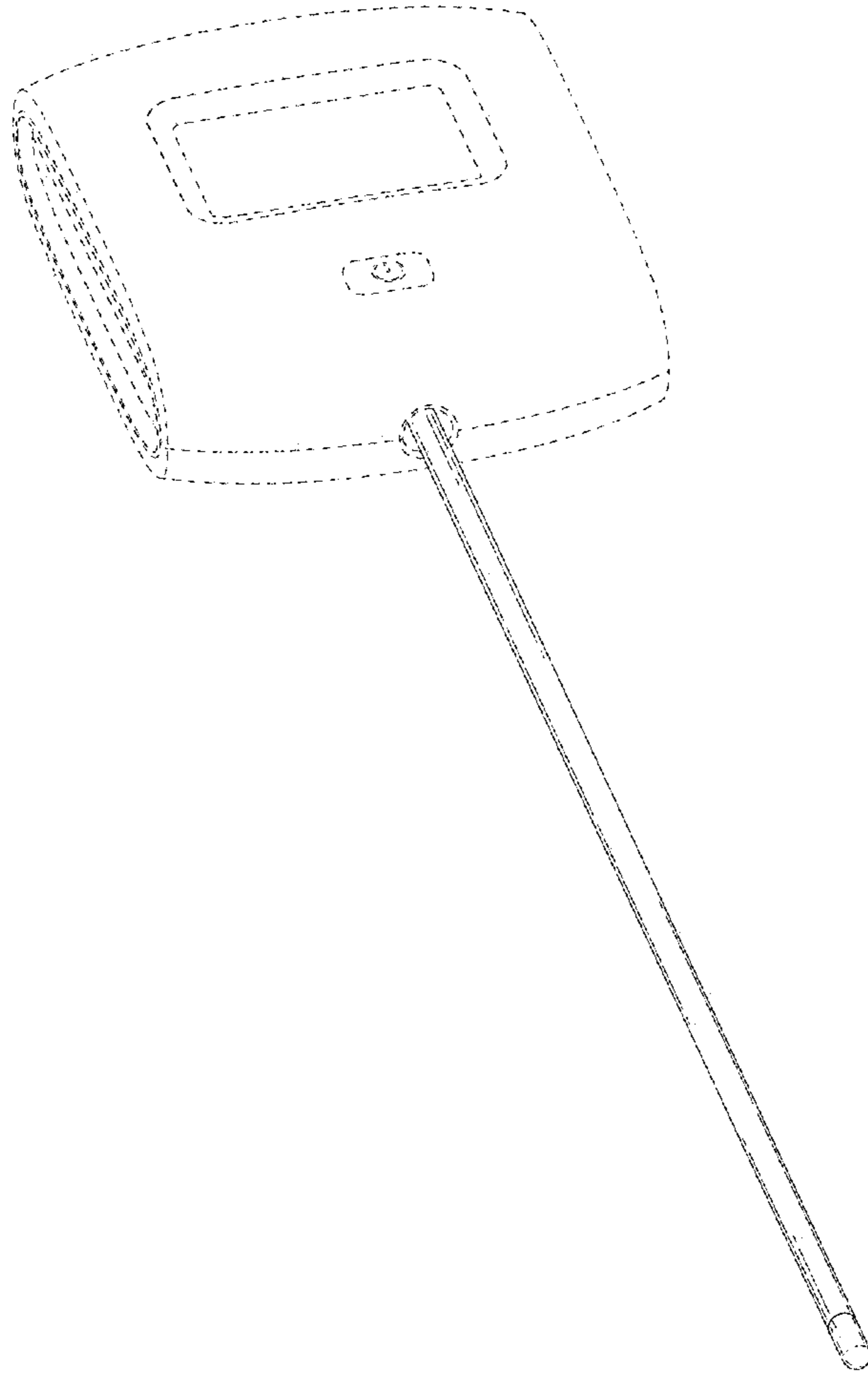


FIG.11