



US00D976126S

(12) **United States Design Patent**
Lin

(10) **Patent No.:** **US D976,126 S**
(45) **Date of Patent:** **** Jan. 24, 2023**

(54) **COMBINED CONTAINER AND TELESCOPIC SPOON**

(71) Applicant: **Huapeng Lin**, Guangdong (CN)

(72) Inventor: **Huapeng Lin**, Guangdong (CN)

(**) Term: **15 Years**

(21) Appl. No.: **29/801,494**

(22) Filed: **Jul. 29, 2021**

(51) **LOC (14) Cl.** **09-03**

(52) **U.S. Cl.**
USPC **D9/719**

(58) **Field of Classification Search**

USPC D9/500-504, 505, 544-546, 715, 718,
D9/719, 723-725, 730; D7/305, 601,
D7/630; D24/119, 224
CPC A46B 15/0097; A46B 11/00; B65D 51/32;
B65D 47/18; B65D 83/285; B65D 47/20;
B65D 85/00

See application file for complete search history.

(56) **References Cited**

U.S. PATENT DOCUMENTS

2,231,197 A * 2/1941 Scioscia B65D 47/18
401/128
2,485,303 A * 10/1949 Marcus B01F 27/1127
D24/116
4,219,283 A * 8/1980 Buckley A46B 7/023
401/129
5,149,506 A * 9/1992 Skiba A61B 10/0038
600/570
D613,183 S * 4/2010 Overgaard D9/719
D757,565 S * 5/2016 Partrat D9/726
9,347,811 B2 * 5/2016 Wang G01F 11/084

D886,632 S * 6/2020 Ahn D9/503
2005/0218141 A1 * 10/2005 Kratzer B65D 51/32
220/212
2020/0323327 A1 * 10/2020 Bose A45D 33/00

* cited by examiner

Primary Examiner — Lauren R Calve

(74) *Attorney, Agent, or Firm* — True Shepherd, LLC;
Andrew Cheng

(57) **CLAIM**

The ornamental design for a combined container and telescopic spoon, as shown and described.

DESCRIPTION

FIG. 1 is a front, right, and top perspective view of a combined container and telescopic spoon, showing my design.

FIG. 2 is a rear, left, and bottom perspective view thereof.

FIG. 3 is a front elevation view thereof.

FIG. 4 is a rear elevation view thereof.

FIG. 5 is a left side elevation view thereof.

FIG. 6 is a right side elevation view thereof.

FIG. 7 is a top plan view thereof.

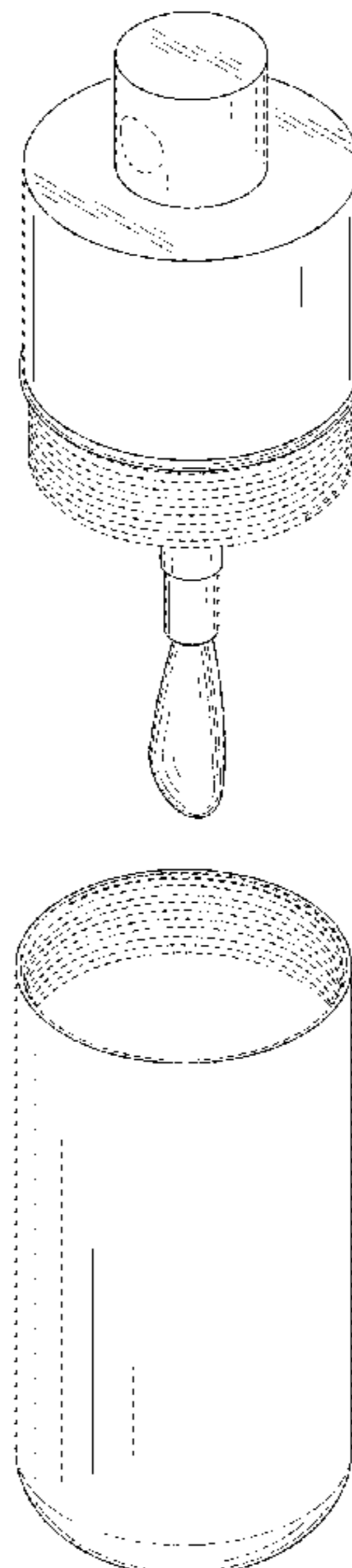
FIG. 8 is a bottom plan view thereof.

FIG. 9 is another front, right, and top perspective view of the combined container and telescopic spoon, wherein a rod of a telescopic spoon of the combined container and telescopic spoon is extended; and,

FIG. 10 is another front, right, and top perspective view of the combined container and telescopic spoon, wherein a container of the combined container and telescopic spoon is closed.

The broken lines shown in the drawings are included for the purpose of illustrating portions of the combined container and telescopic spoon that form no part of the claimed design.

1 Claim, 10 Drawing Sheets



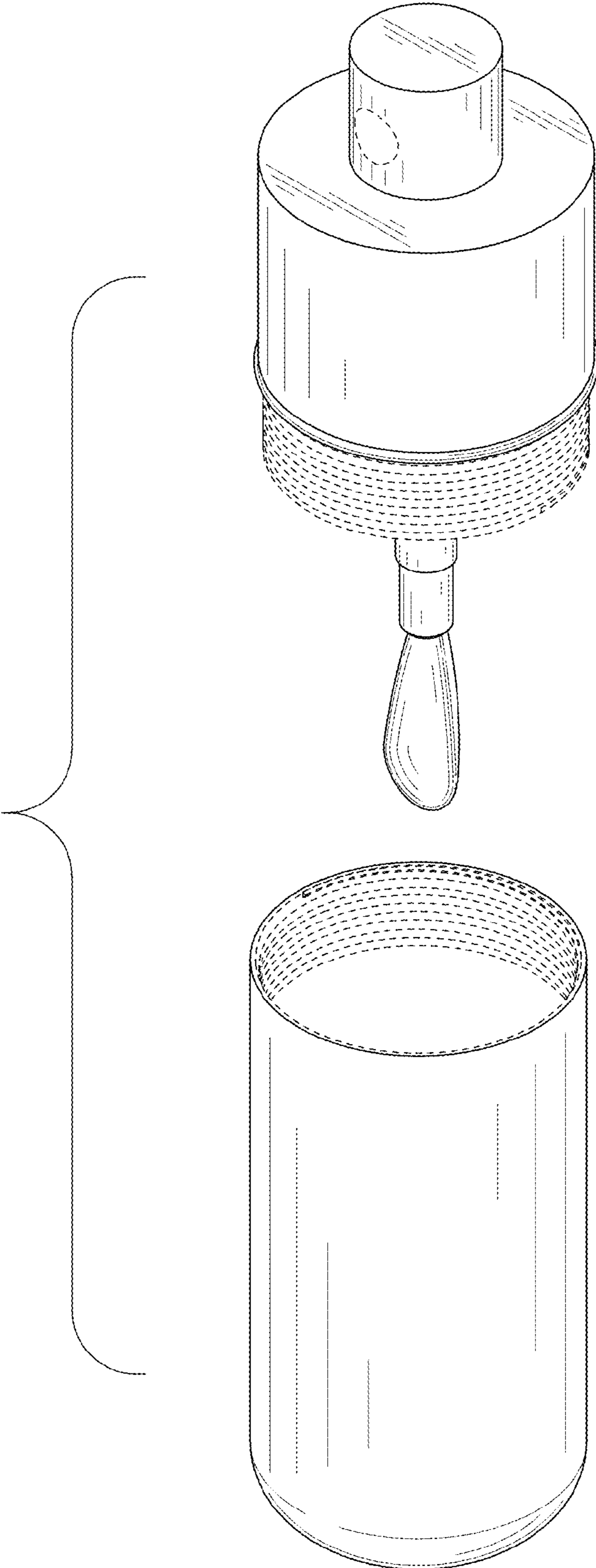


FIG. 1

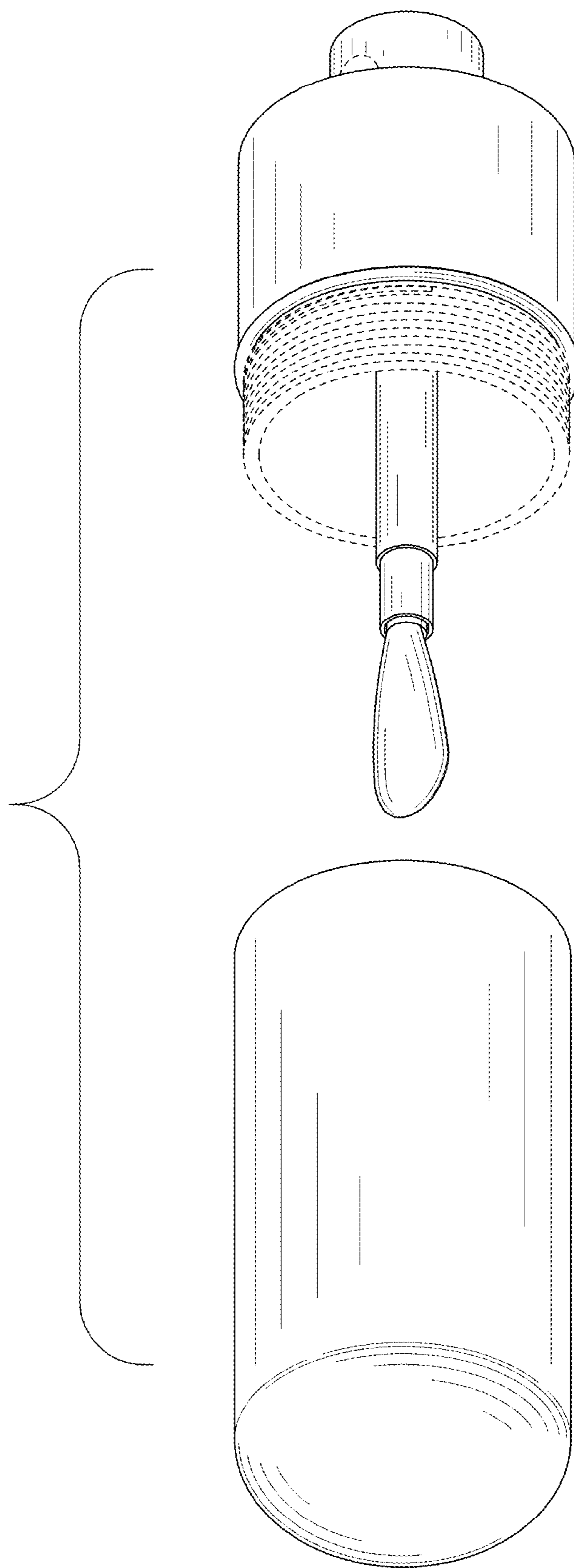


FIG. 2

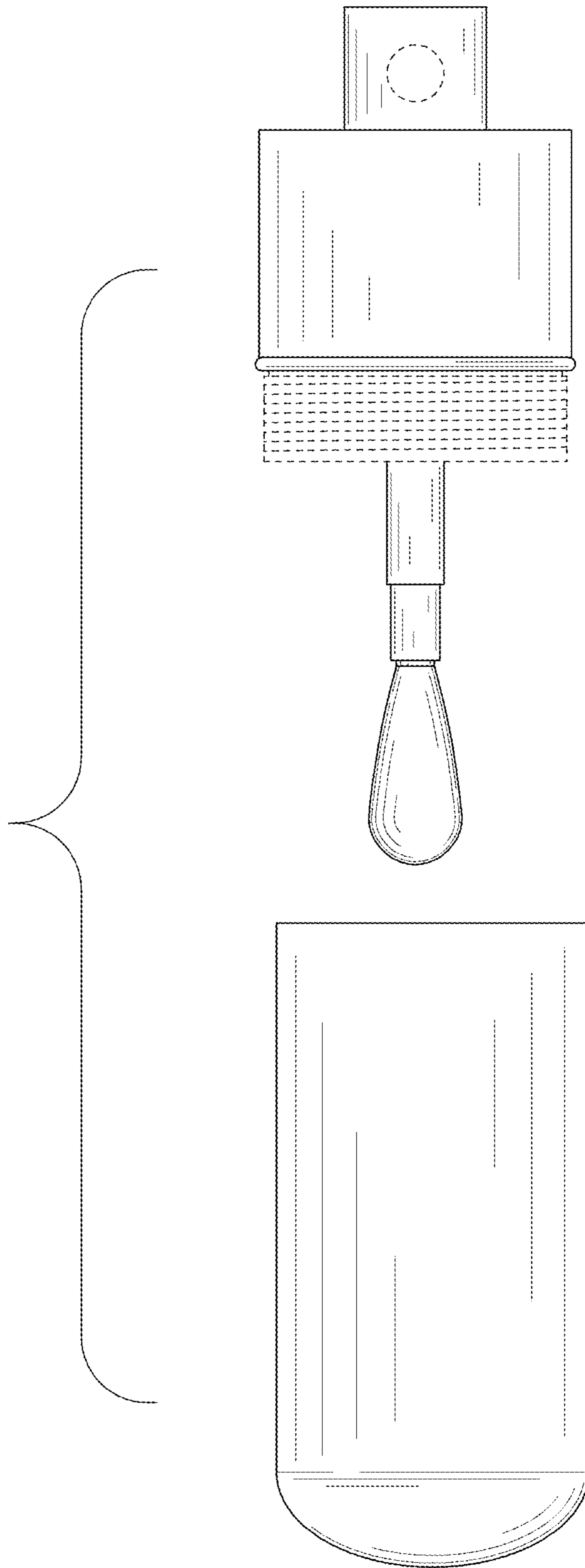


FIG. 3

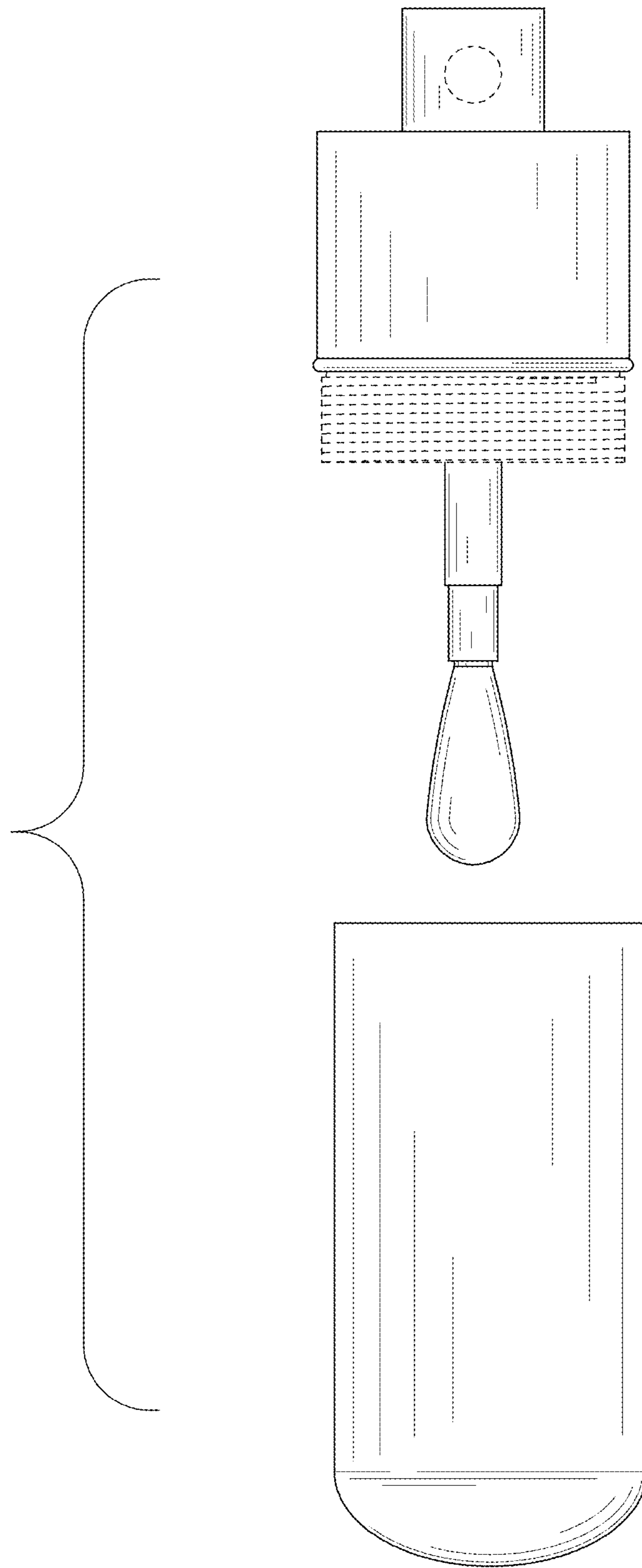


FIG. 4

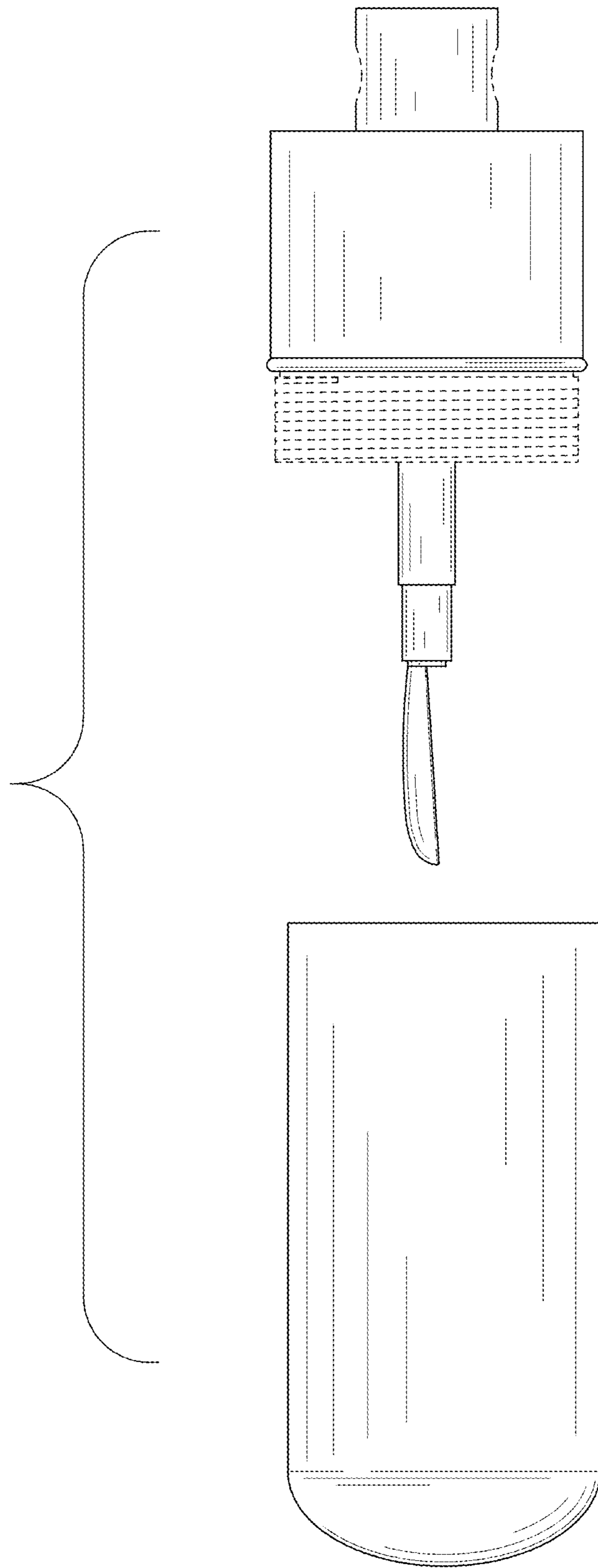


FIG. 5

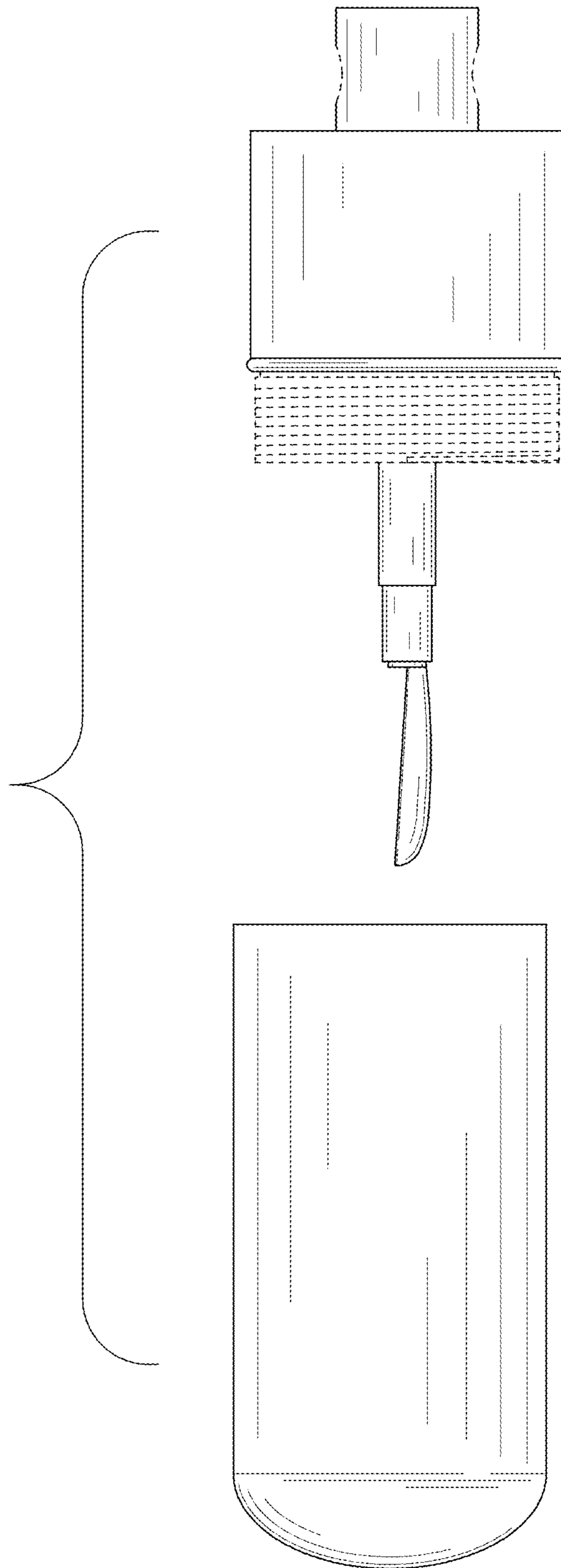


FIG. 6

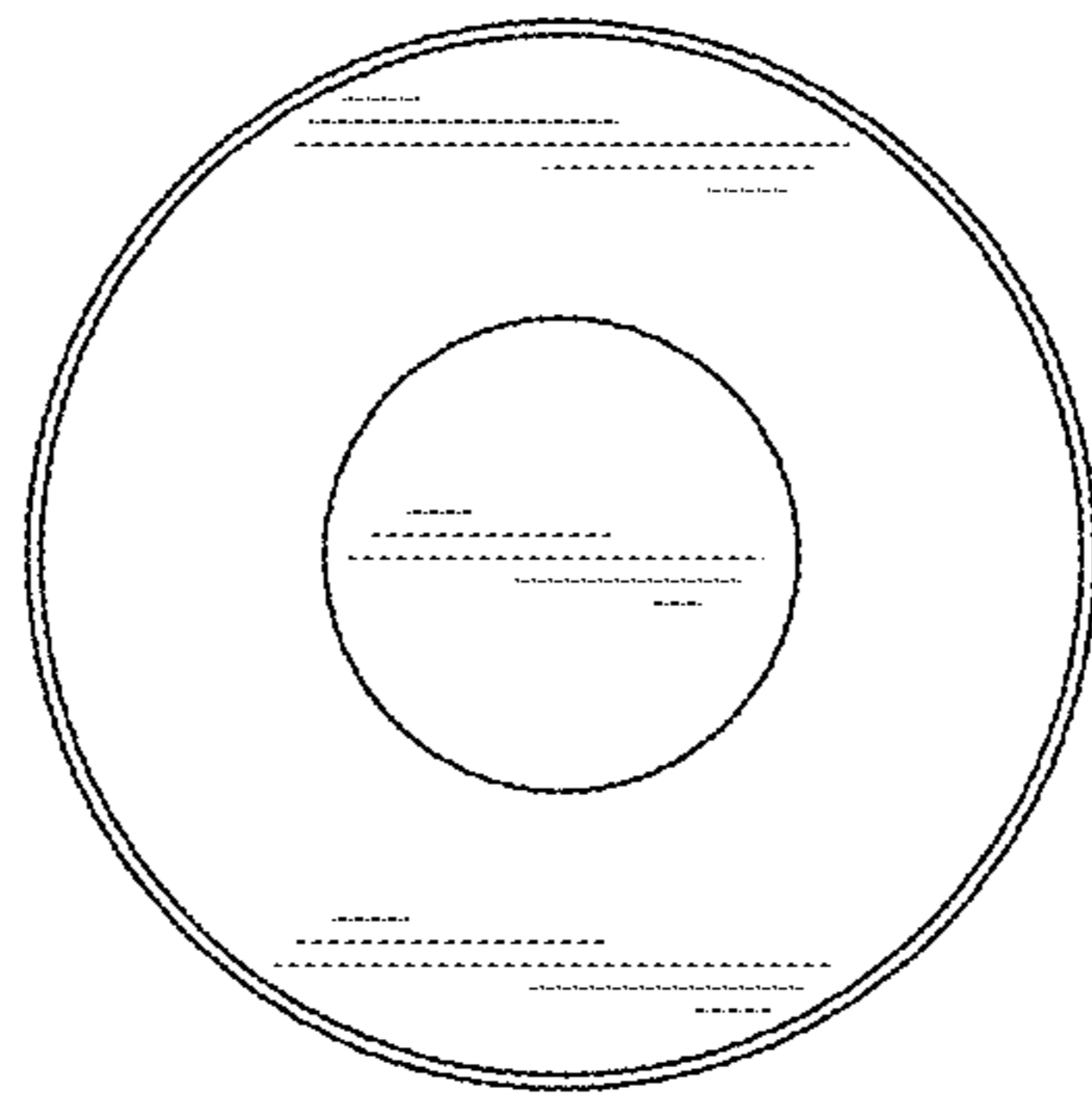


FIG. 7

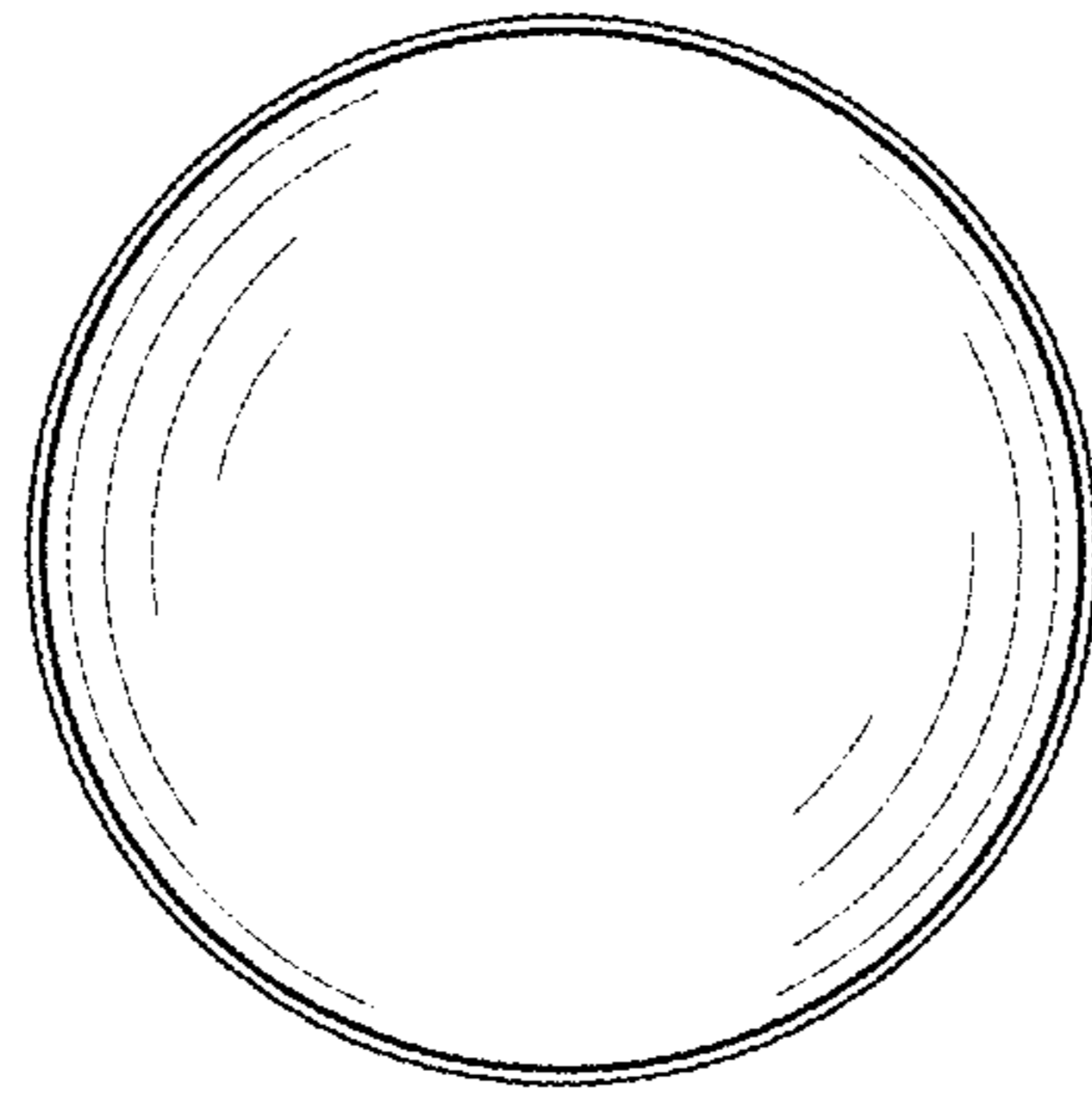


FIG. 8

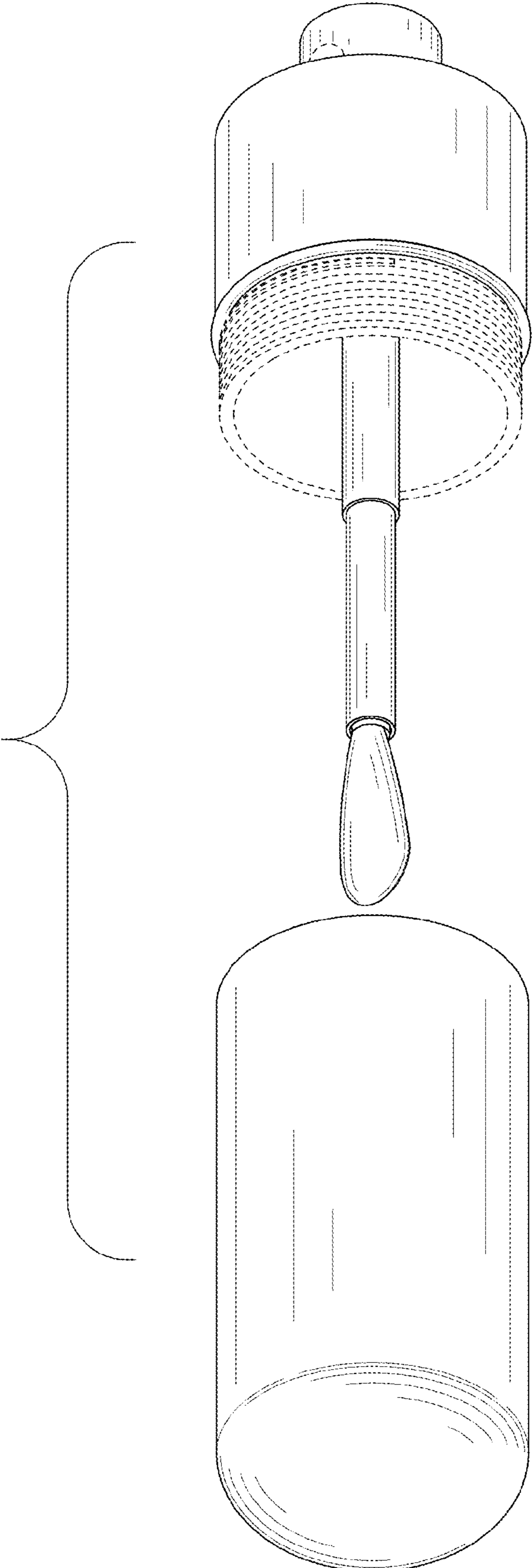


FIG. 9

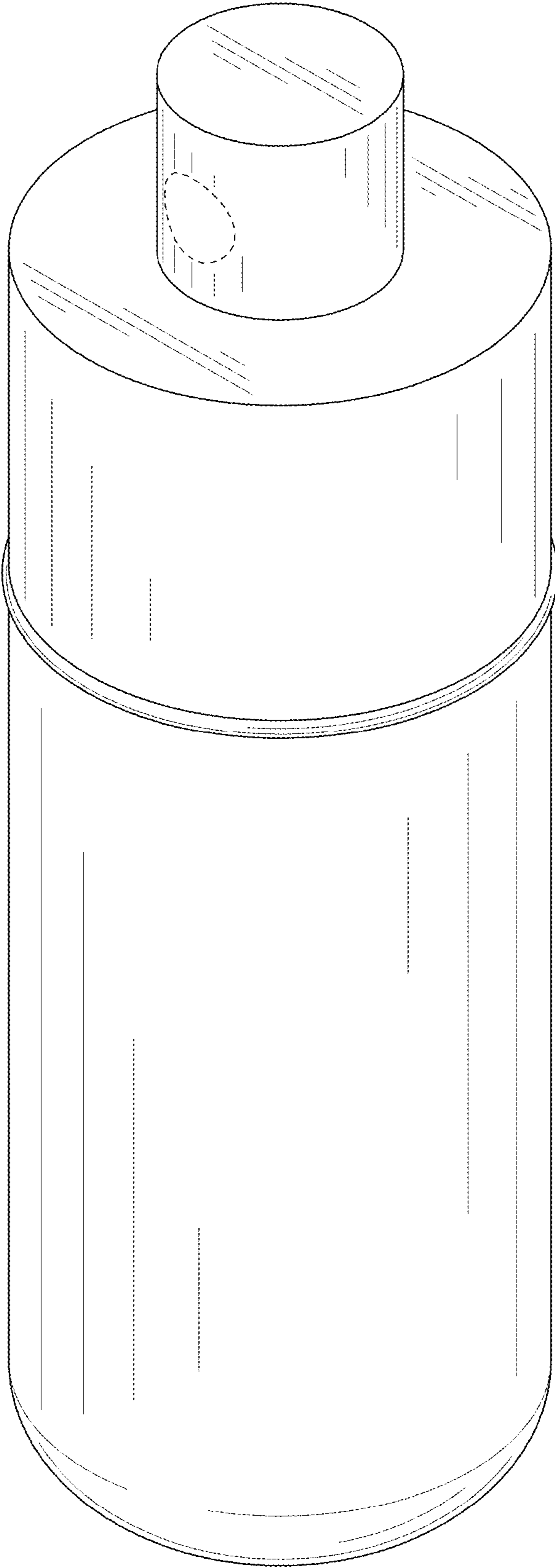


FIG. 10