



US00D976125S

(12) **United States Design Patent**  
**Lei**

(10) **Patent No.:** **US D976,125 S**  
(45) **Date of Patent:** **\*\* Jan. 24, 2023**

(54) **VACUUM BAG**

B65D 81/20; B65D 77/04; B65D 77/06;  
A45C 3/04; A45C 3/10; A63H 81/16;  
A01G 20/43; B08B 15/002

(71) Applicant: **Qingsong Lei**, Guangdong (CN)

See application file for complete search history.

(72) Inventor: **Qingsong Lei**, Guangdong (CN)

(73) Assignee: **SHENZHEN SONGXIN SILICONE PRODUCTS CO., LTD.**, Shenzhen (CN)

(56) **References Cited**

U.S. PATENT DOCUMENTS

(\*\*) Term: **15 Years**

D934,314 S \* 10/2021 Suchman ..... D32/31  
D960,211 S \* 8/2022 Suchman ..... D15/122  
11,472,584 B2 \* 10/2022 Chang ..... B65D 81/2038

(21) Appl. No.: **29/803,008**

\* cited by examiner

(22) Filed: **Aug. 10, 2021**

*Primary Examiner* — Abraham Bahta

(30) **Foreign Application Priority Data**

(74) *Attorney, Agent, or Firm* — Georgi Korobanov

Jul. 15, 2021 (CN) ..... 202130450819.9

(51) **LOC (14) Cl.** ..... **09-05**

(52) **U.S. Cl.**  
USPC ..... **D9/705**

(57) **CLAIM**

The ornamental design for a vacuum bag, as shown and described.

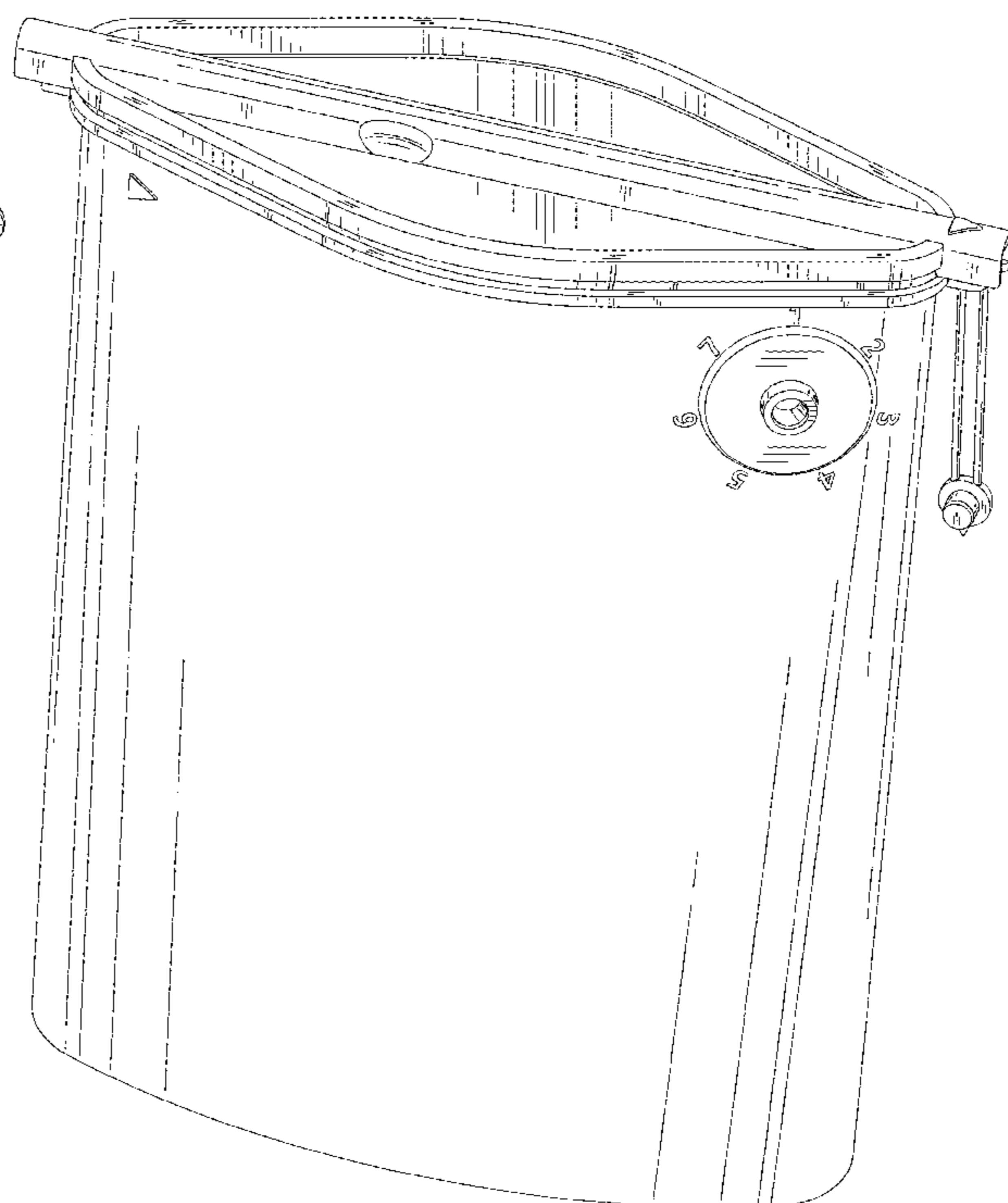
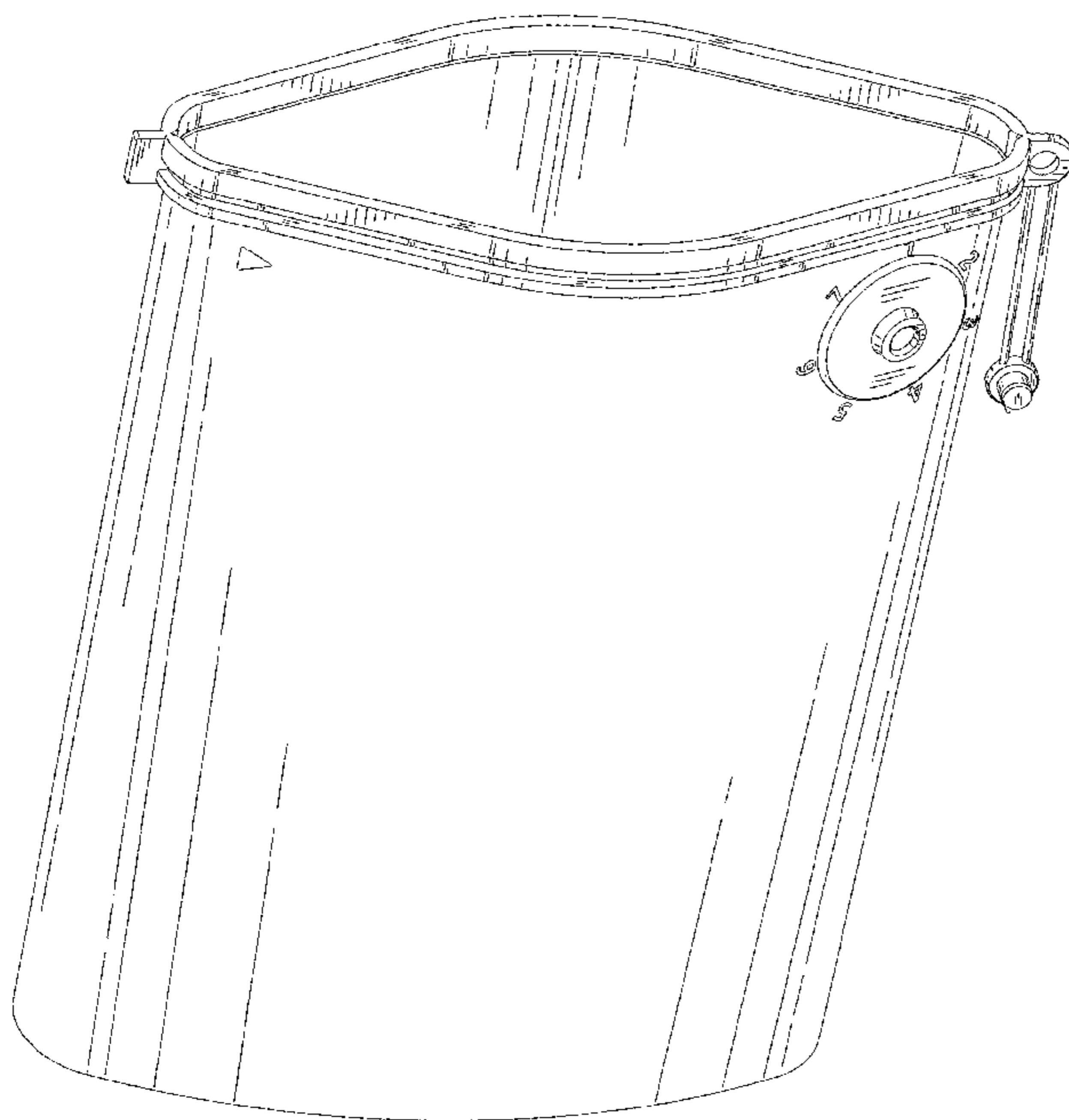
(58) **Field of Classification Search**

**DESCRIPTION**

USPC ..... D9/702-714, 719, 738-740, 517-518,  
D9/522, 416, 435, 444, 460, 455, 414,  
D9/499, 431-432, 600, 643-647;  
D7/560-562; 294/137, 152; 428/34.3;  
D3/270, 271.1-271.4; D15/122, 132,  
D15/138, 199; D32/31, 35  
CPC ..... B65D 33/00; B65D 33/06; B65D 33/065;  
B65D 33/14; B65D 33/1683; B65D  
33/12; B65D 33/04; B65D 33/02; B65D  
33/01; B65D 31/00; B65D 31/04; B65D  
31/10; B65D 5/42; B65D 5/4208; B65D  
5/75; B65D 5/64; B65D 81/30; B65D  
81/365; B65D 81/366; B65D 81/368;

FIG. 1 is a top, front, left side perspective view of a vacuum bag showing my new design;  
FIG. 2 is a front elevation view thereof;  
FIG. 3 is a rear elevation view thereof;  
FIG. 4 is a left side elevation view thereof;  
FIG. 5 is a right side elevation view thereof;  
FIG. 6 is a top plan view thereof;  
FIG. 7 is a bottom plan view thereof; and,  
FIG. 8 is another top, front, left side perspective view thereof with a releasable fixing member put on a top of the vacuum bag.

**1 Claim, 7 Drawing Sheets**



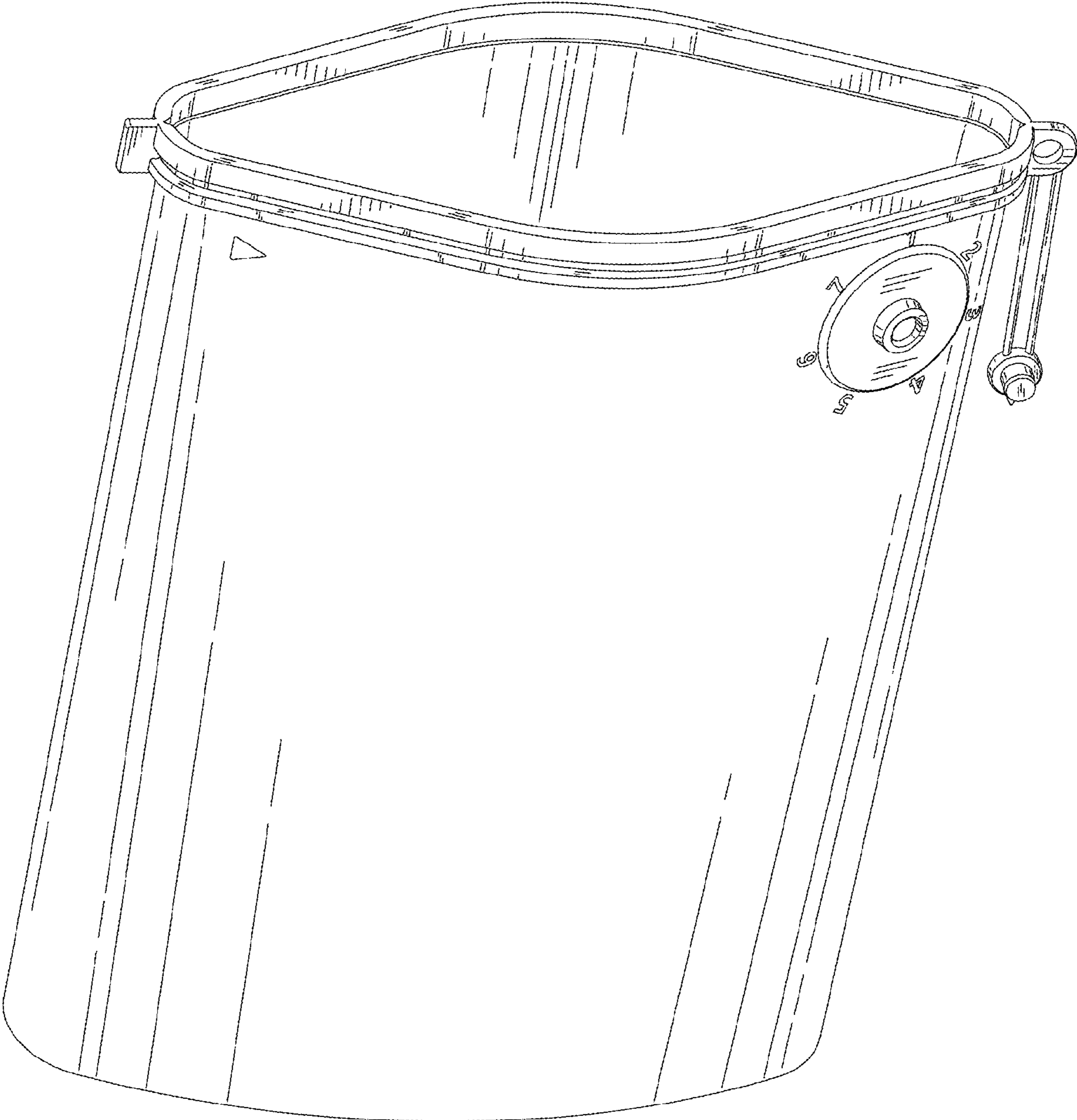


FIG. 1

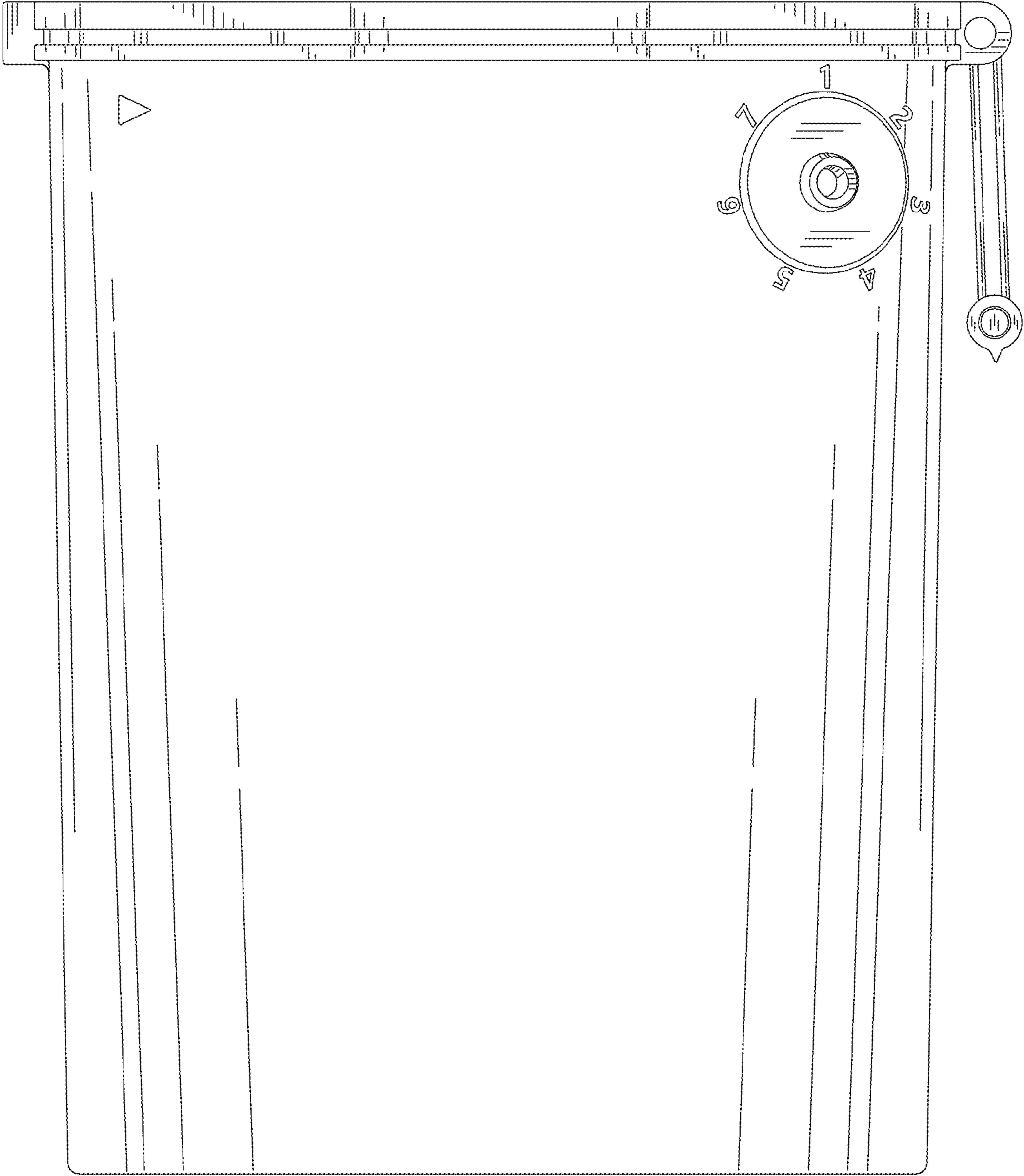


FIG.2

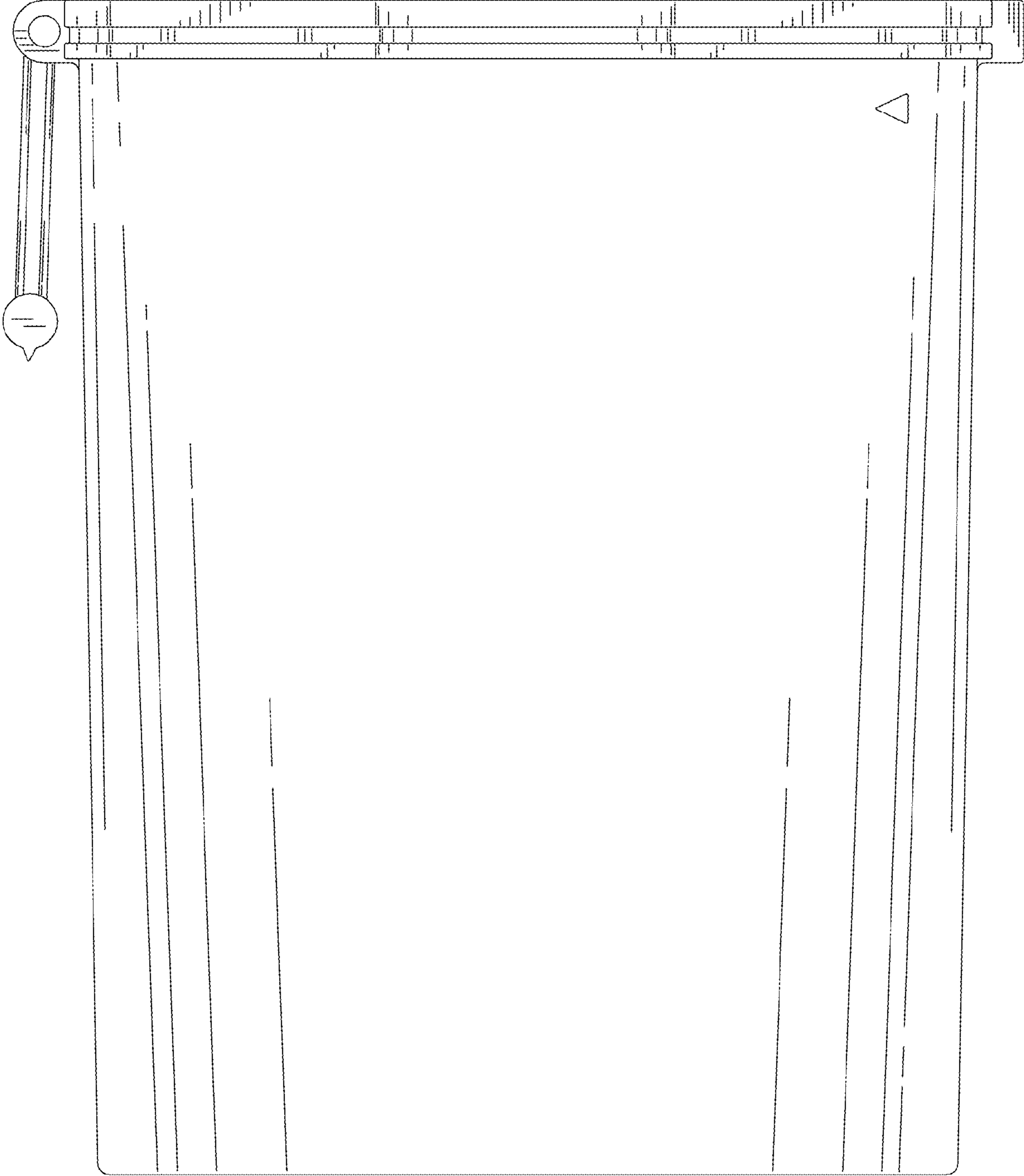


FIG.3

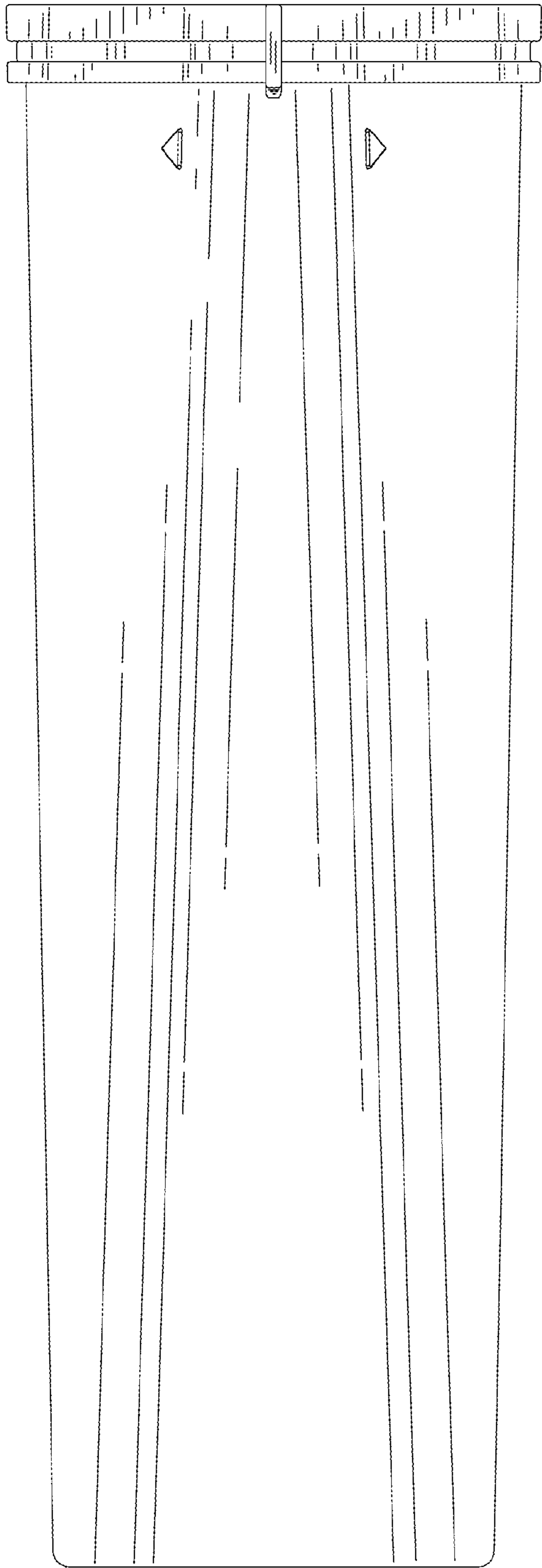


FIG. 4

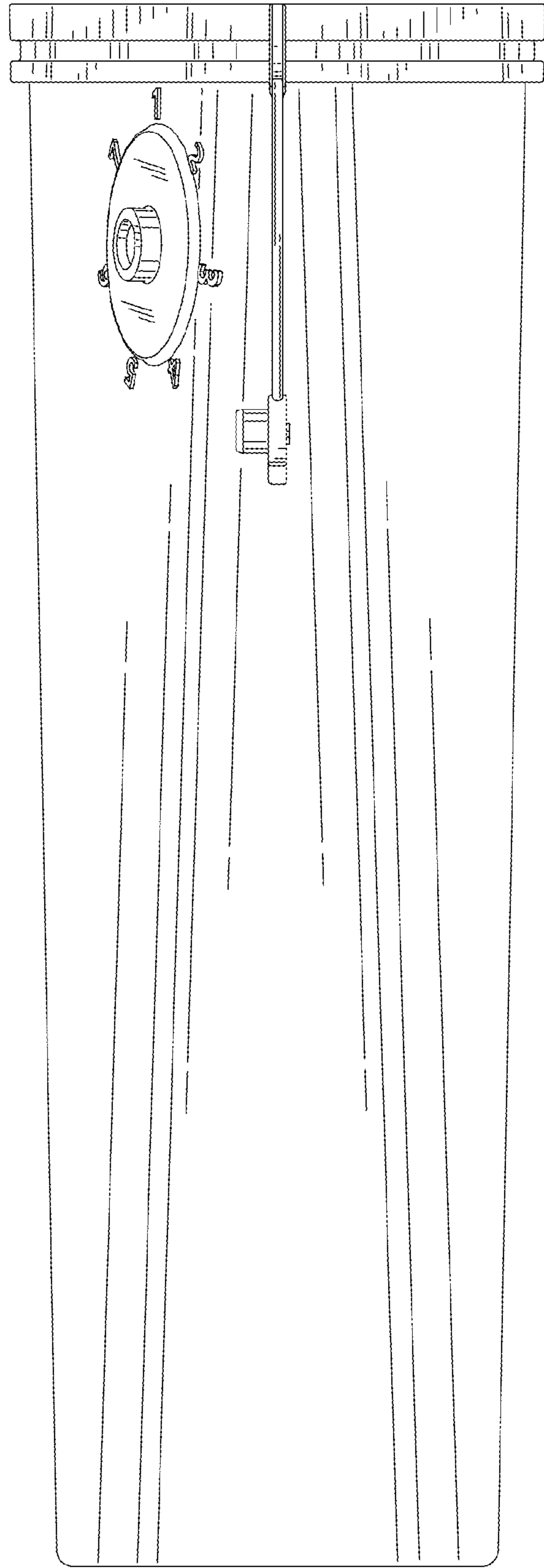


FIG. 5

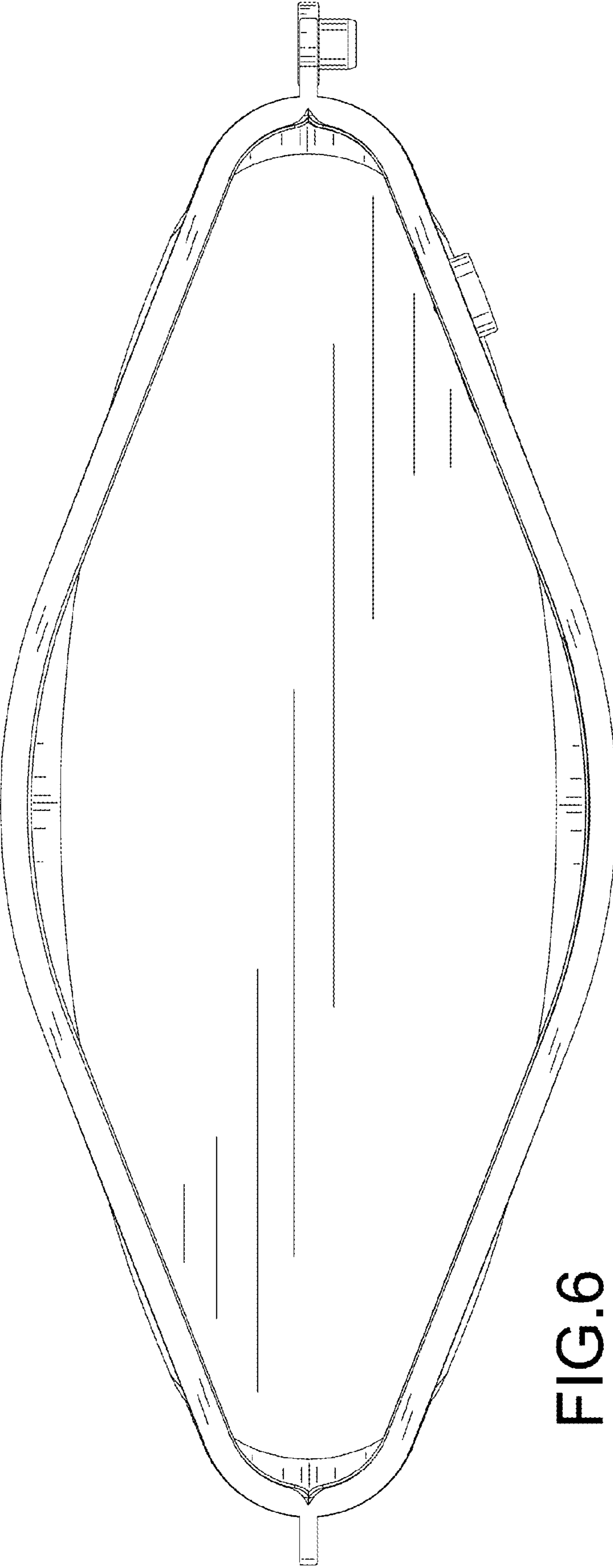


FIG.6

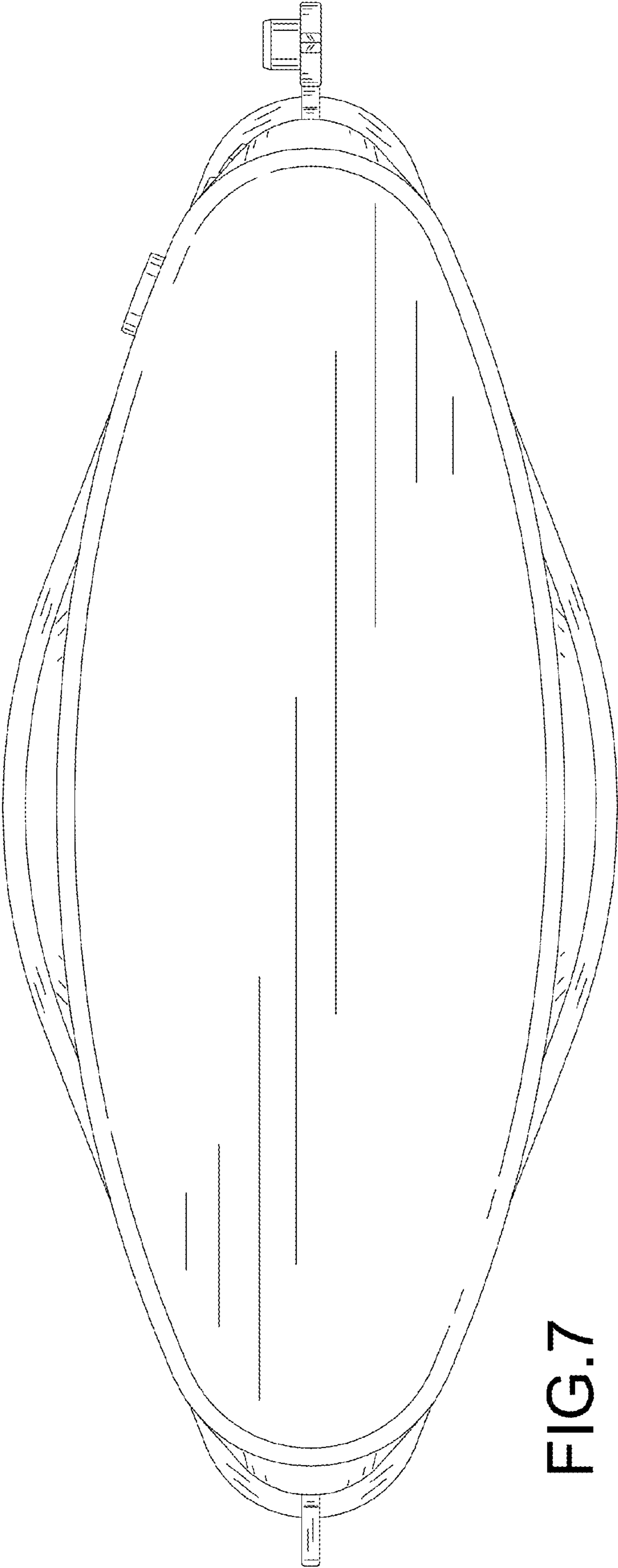


FIG.7

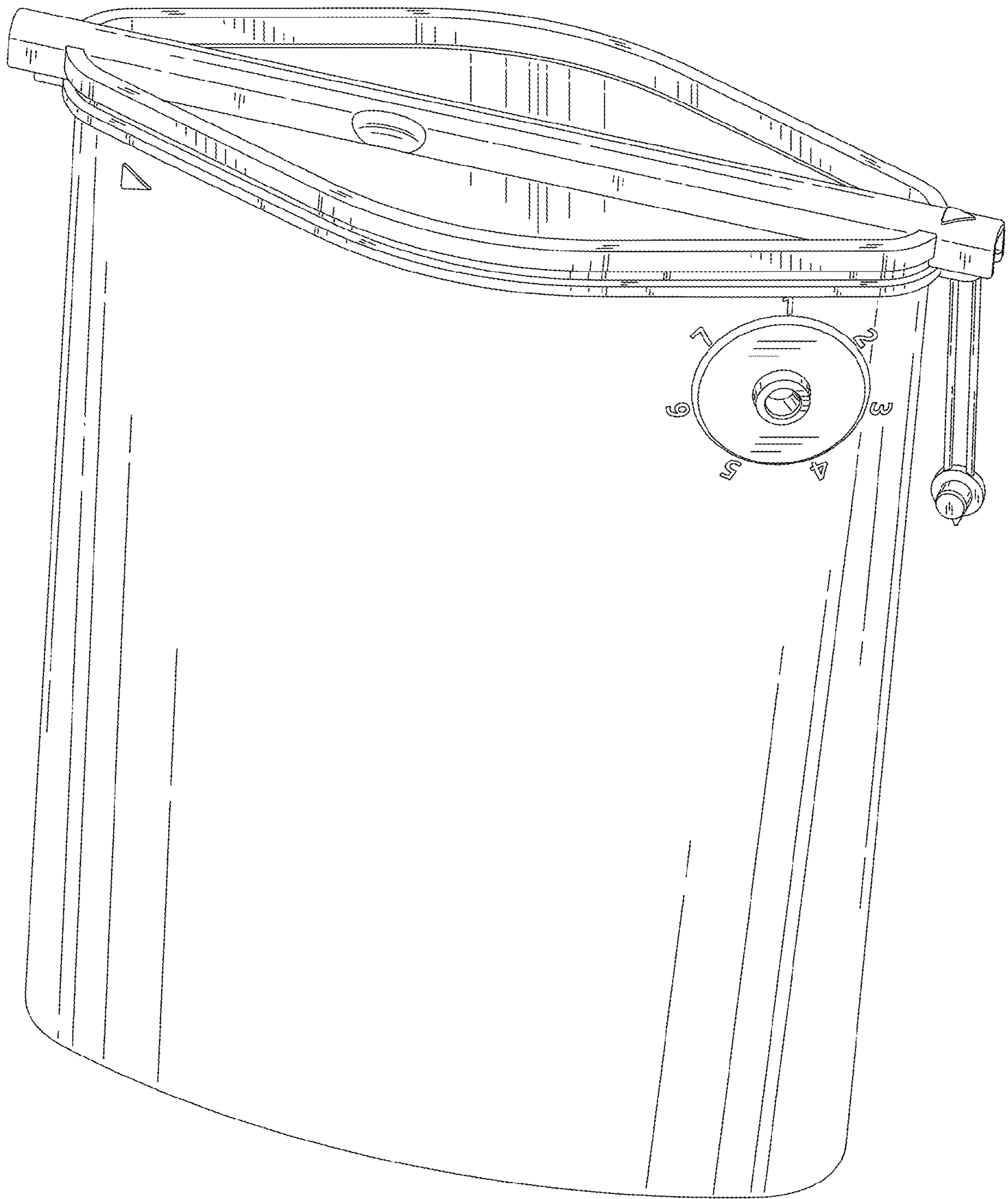


FIG.8