



US00D976118S

(12) **United States Design Patent**
Porter

(10) **Patent No.:** **US D976,118 S**
(45) **Date of Patent:** **** Jan. 24, 2023**

(54) **CONTAINER TOY**

(71) Applicant: **Edrea Porter**, St. Johns, FL (US)

(72) Inventor: **Edrea Porter**, St. Johns, FL (US)

(**) Term: **15 Years**

(21) Appl. No.: **29/747,179**

(22) Filed: **Aug. 20, 2020**

Related U.S. Application Data

(63) Continuation of application No. 16/281,525, filed on Feb. 21, 2019, now abandoned.

(51) **LOC (14) Cl.** **09-01**

(52) **U.S. Cl.**
USPC **D9/643**; D9/600; D21/483

(58) **Field of Classification Search**
USPC D9/424, 600, 500-504, 643;
D21/486-471, 483; D1/128-129;
D7/402, 539, 567, 609, 612
CPC B65D 81/365; A23G 4/205; A21D 13/48
See application file for complete search history.

(56) **References Cited**

U.S. PATENT DOCUMENTS

2,029,664	A *	2/1936	Lassiter	A21D 13/32 426/283
2,998,896	A	9/1961	Miller		
4,124,135	A	11/1978	Weder et al.		
5,533,731	A	7/1996	Koenig		
D382,605	S *	8/1997	Choi	D21/483
5,743,404	A	4/1998	Melashenko et al.		
5,871,143	A	2/1999	Nestler et al.		
5,897,926	A	4/1999	Mikulas		
5,954,561	A	9/1999	Cannone		
6,250,985	B1	6/2001	Nicholson		
7,150,221	B2	12/2006	Morgan		

(Continued)

FOREIGN PATENT DOCUMENTS

EM	0044201070001	10/2017
EP	1329394 A1	7/2003
WO	9303807 A1	3/1993

OTHER PUBLICATIONS

Etsy Canada—Felt Almond Croissant Felt Pretend Play Food Croissant Bread. [Online] 4 pages. Published on: Jun. 5, 2022. Retrieved Jul. 6, 2022 from URL: <https://etsy.me/3C0KEoD> (Year: 2022).*

(Continued)

Primary Examiner — Vy N Koenig

Assistant Examiner — Anastasia Longoria

(74) *Attorney, Agent, or Firm* — Potomac Law Group, PLLC; Douglas E. Ringel

(57) **CLAIM**

The ornamental design for a container toy, as shown and described.

DESCRIPTION

FIG. 1 shows a perspective view of a container toy in a closed condition, showing the claimed design.

FIG. 2 shows a front elevational view of the container toy of FIG. 1.

FIG. 3 shows a back elevational view of the container toy of FIG. 1.

FIG. 4 shows a right side elevational view of the container toy of FIG. 1.

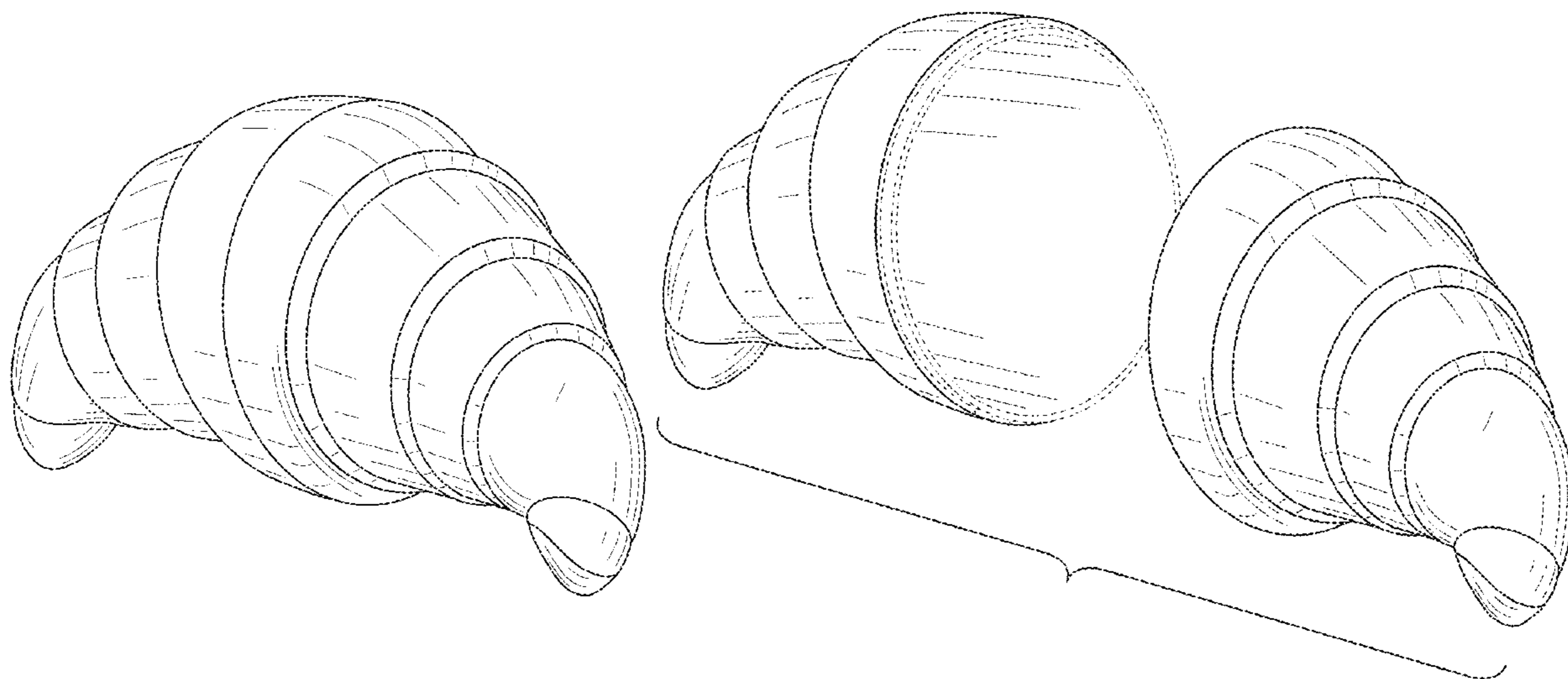
FIG. 5 shows a left side elevational view of the container toy of FIG. 1.

FIG. 6 shows a top view of the container toy of FIG. 1; FIG. 7 shows a bottom view of the container toy of FIG. 1; and,

FIG. 8 shows a perspective view of the container toy of FIG. 1 in an open condition.

The broken lines illustrate structure or features which form no part of the claimed design.

1 Claim, 4 Drawing Sheets



(56)

References Cited

U.S. PATENT DOCUMENTS

7,677,568	B1	3/2010	Kurtz	
7,694,845	B2	4/2010	Tilton	
D650,289	S *	12/2011	Bosiljevac	D9/668
D663,097	S *	7/2012	Yamada	D1/128
D663,098	S *	7/2012	Yamada	D1/128
D663,099	S *	7/2012	Yamada	D1/128
D670,067	S *	11/2012	Yamada	D1/128
D670,886	S *	11/2012	Yamada	D1/128
D680,439	S *	4/2013	Reetz	D9/643
8,551,545	B2	10/2013	Feldmeier et al.	
8,844,720	B2	9/2014	Lantinen	
D737,136	S *	8/2015	Lam	D9/643
D755,637	S *	5/2016	Wetton	D9/600
9,994,384	B2	6/2018	Glass	
2006/0118448	A1	6/2006	Fanning et al.	
2007/0012696	A1	1/2007	Levie	
2010/0009327	A1	1/2010	Brazil	
2010/0083545	A1	4/2010	Lessard	
2014/0138273	A1	5/2014	Glass	
2015/0210432	A1	7/2015	Lam	
2019/0289945	A1	9/2019	Tchakerian et al.	

OTHER PUBLICATIONS

Felt Croissant—Etsy Canada. [Online] 5 pages. Published on: May 29, 2022. Retrieved Jul. 6, 2022 from URL: <<https://etsy.me/3CglQbp>> (Year: 2022).*

Etsy—Wooden Bread Set of 7 Toy Pastries Set Montessori Waldorf. [Online] 7 pages. Published on: Aug. 11, 2022. Retrieved Aug. 11, 2022 from URL: <<https://etsy.me/3CglQbp>> (Year: 2022).*

Amazon TRRAPLE LED Night Light, Simulation Bread Croissant Light. [Online] 7 pages. First available: Nov. 30, 2019. Retrieved Aug. 11, 2022 from URL: <https://www.amazon.com/TRRAPLE-Simulation-Decorative-Bedroom-Bedside/dp/B0825VBM1C/ref=sr_1_8?crid=1254MA6JJ09KZ&keywords=realis%E2%80%A6> (Year: 2019).*

Home-X Plastic Food Storage Container for Lunch, Reusable Sandwich Box for Meal Prep, retrieved from amazon.com Aug. 7, 2019, 7 pages (reviews dated from 2016).

Liberty Imports Life Sized 12 Piece Bread Set Pretend Play Toy Food Playset for Kids, retrieved from amazon.com Aug. 7, 2019, 8 pages (reviews dated from 2017).

Sandwich Container Keeper Lunch Box Snack Microwave Safe Storage Hinged Hold New, retrieved from amazon.com Aug. 7, 2019, 5 pages (reviews dated from 2017).

Sugarman, “What is Bedikat Chametz?” The Jewish Chronicle, Mar. 20, 2018, pp. 1-3, <https://www.thejc.com/judaism/features/judaism-101-what-is-bedikat-chametz-1.461010>.

Written Opinion and International Search Report dated May 13, 2020, issued in International Application No. PCT/US2020/018609.

* cited by examiner

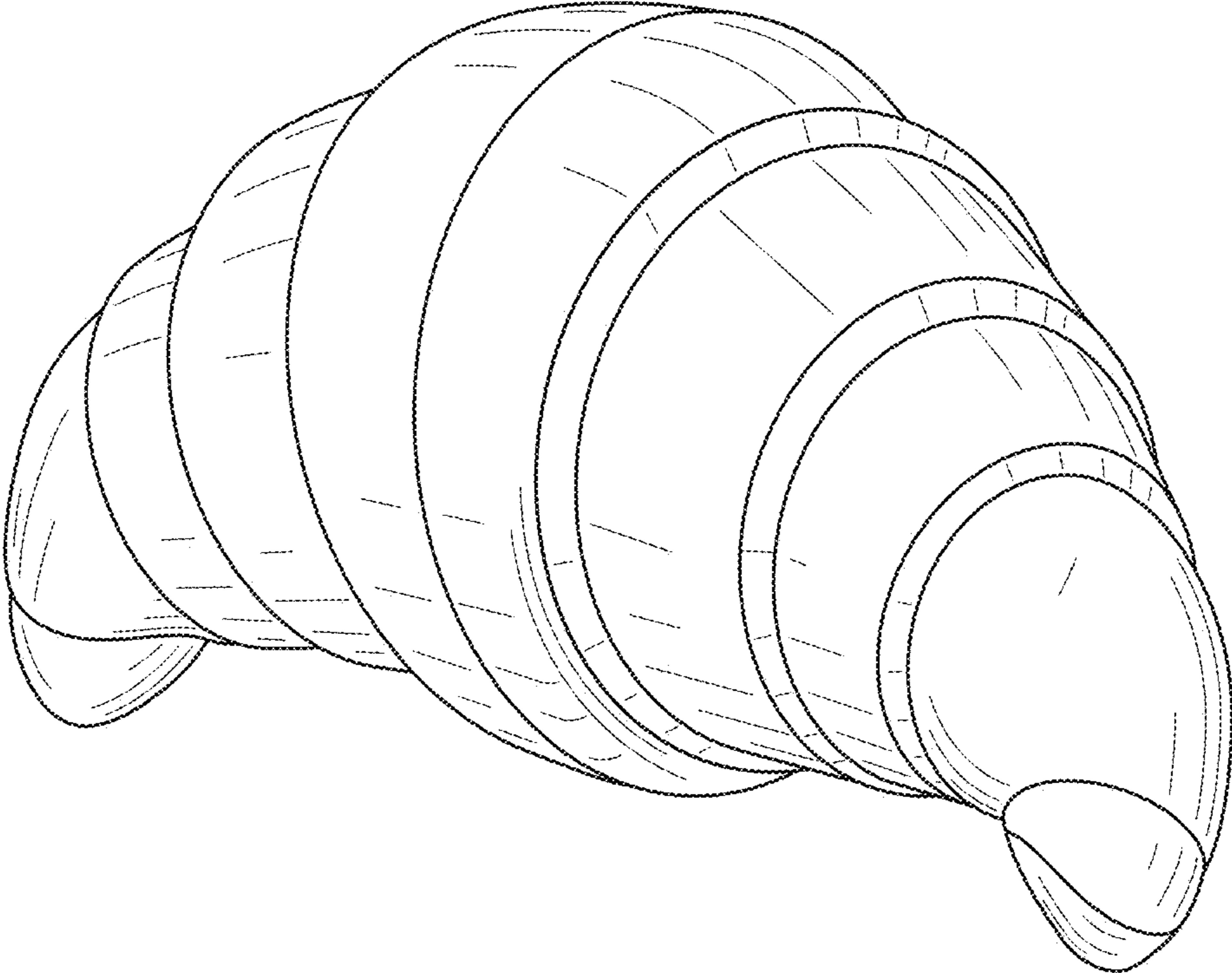


FIG. 1

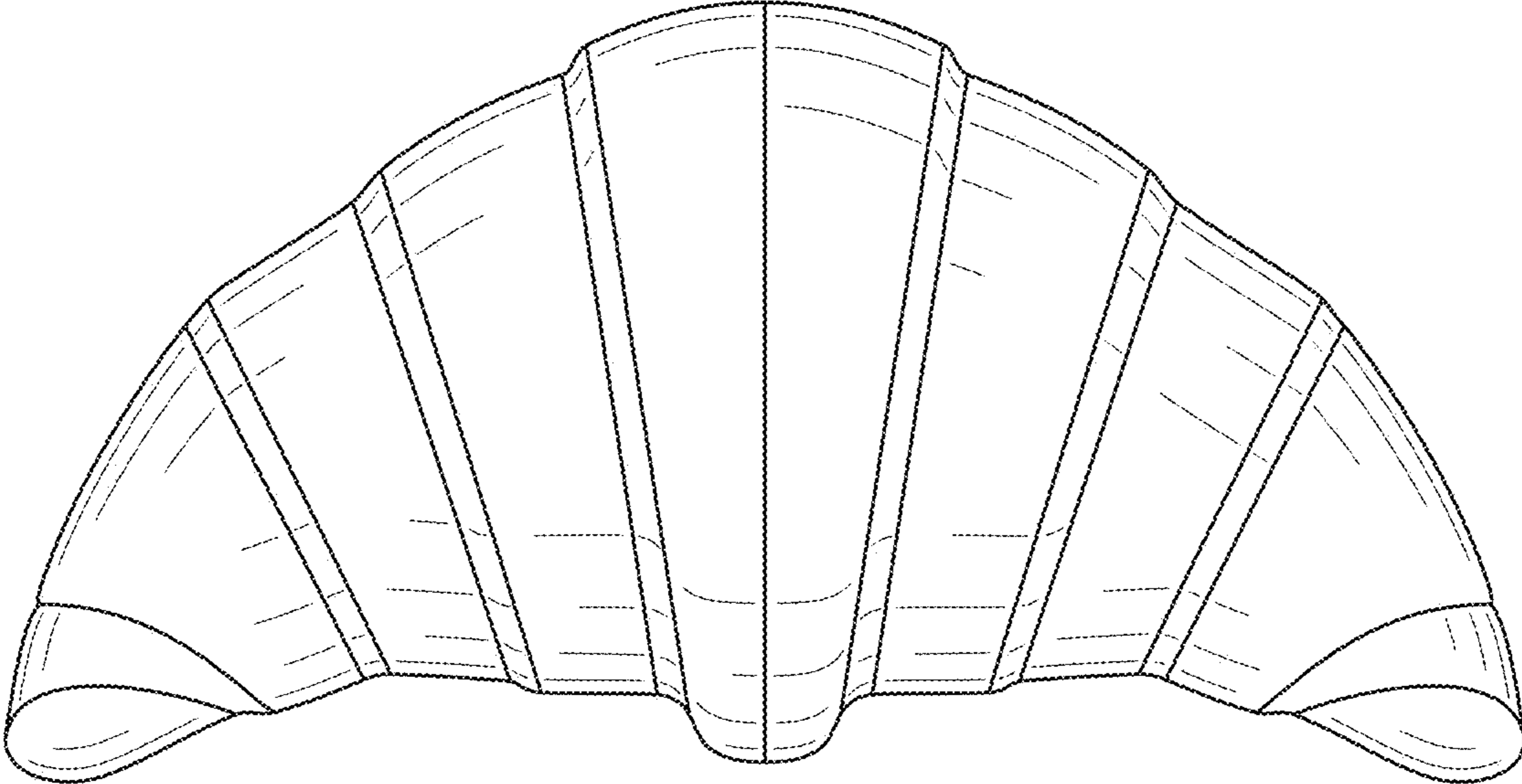


FIG. 2

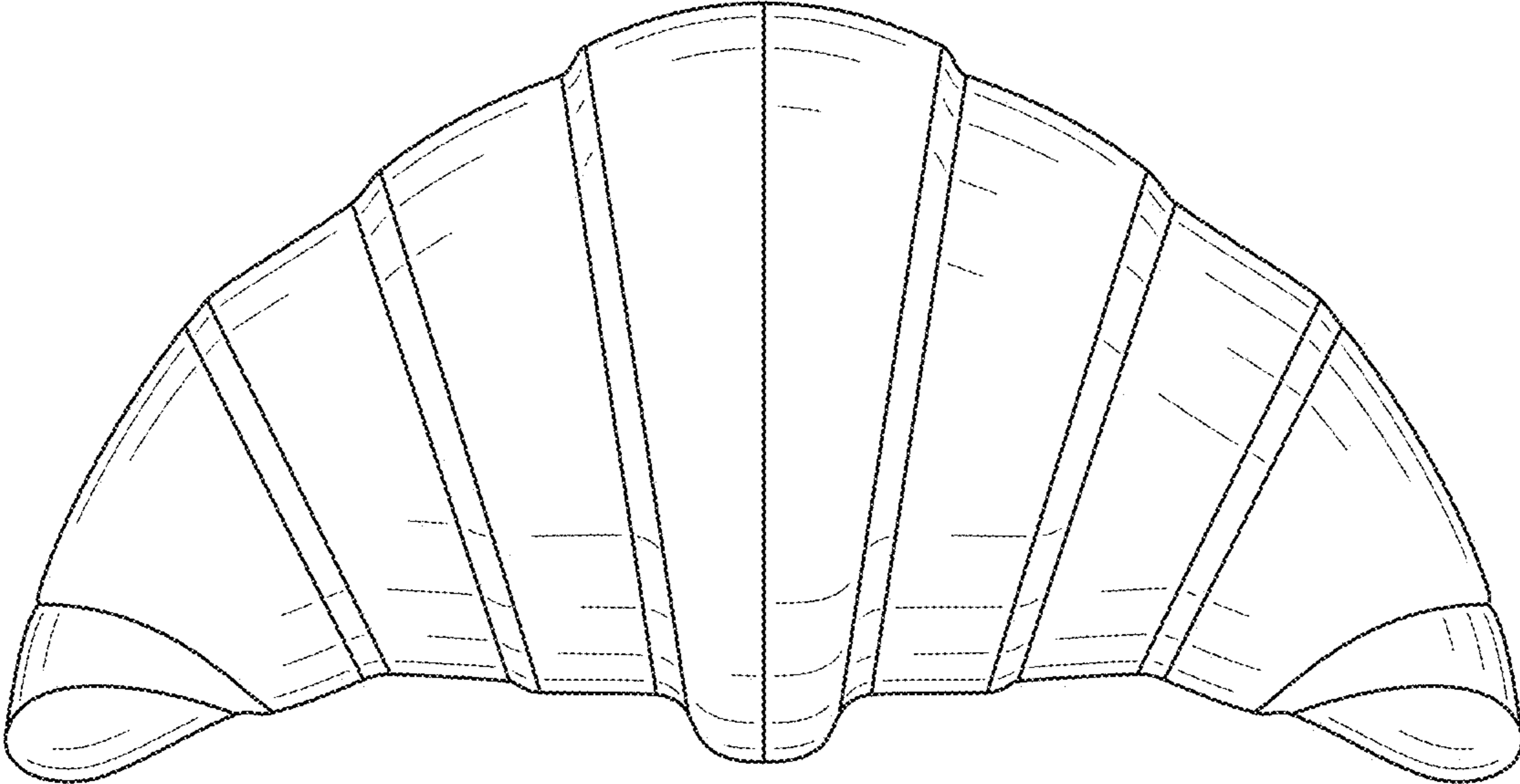


FIG. 3

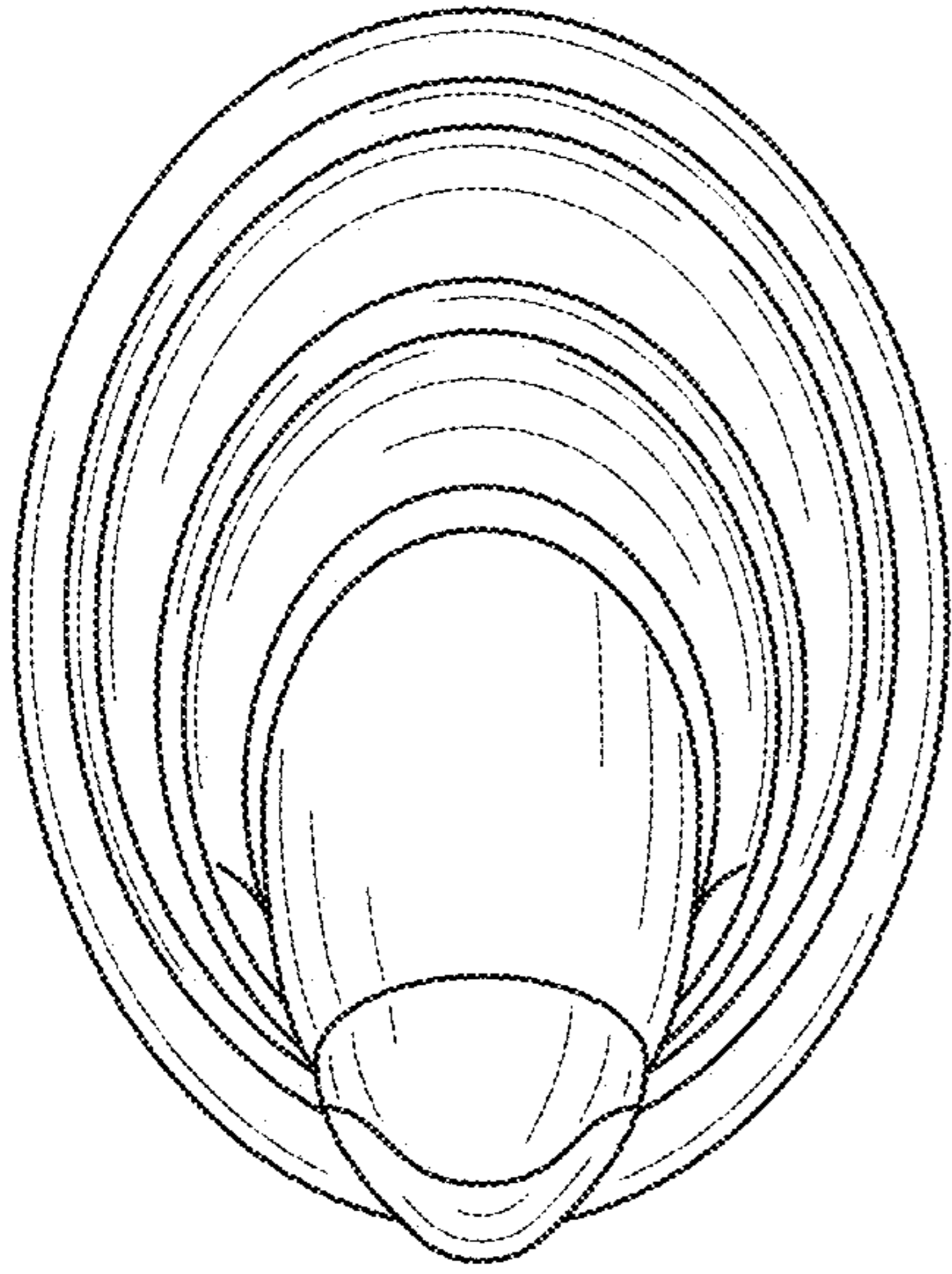


FIG. 4

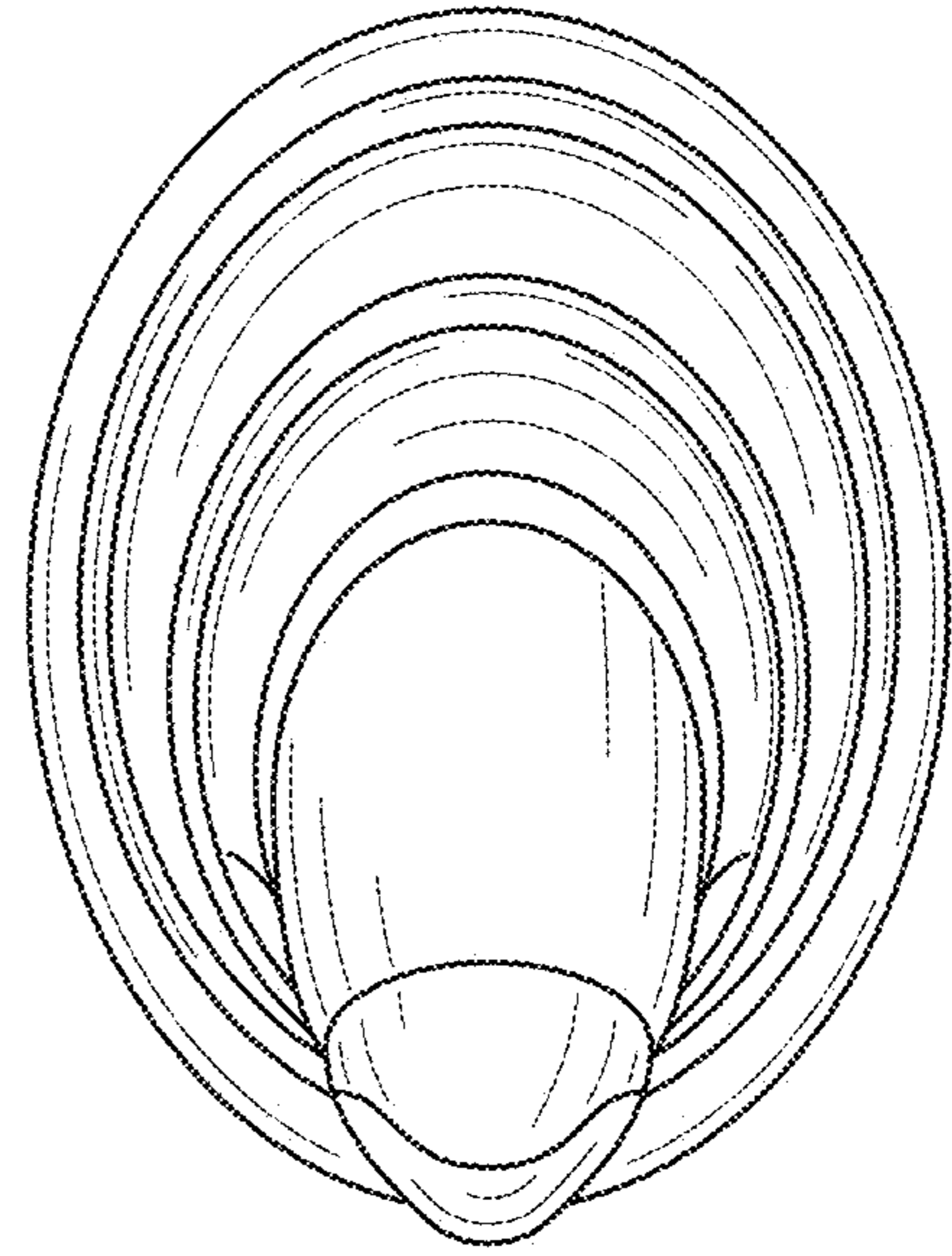


FIG. 5

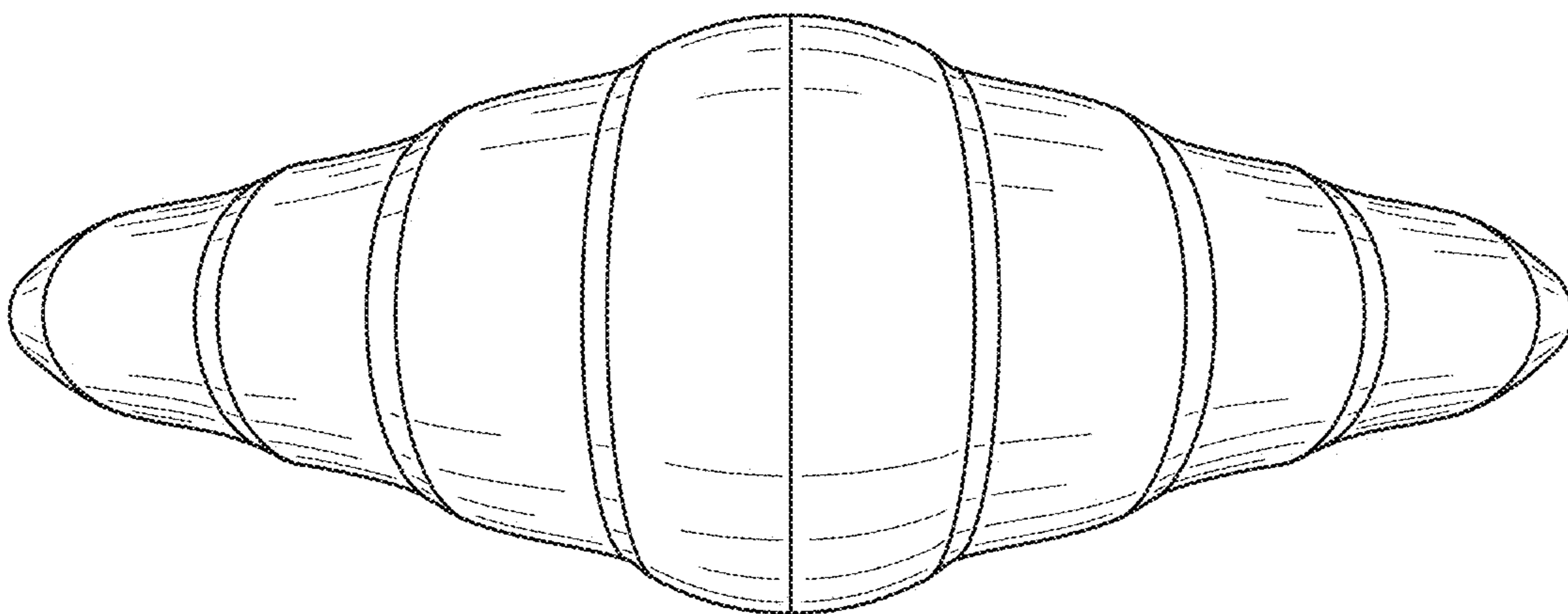


FIG. 6

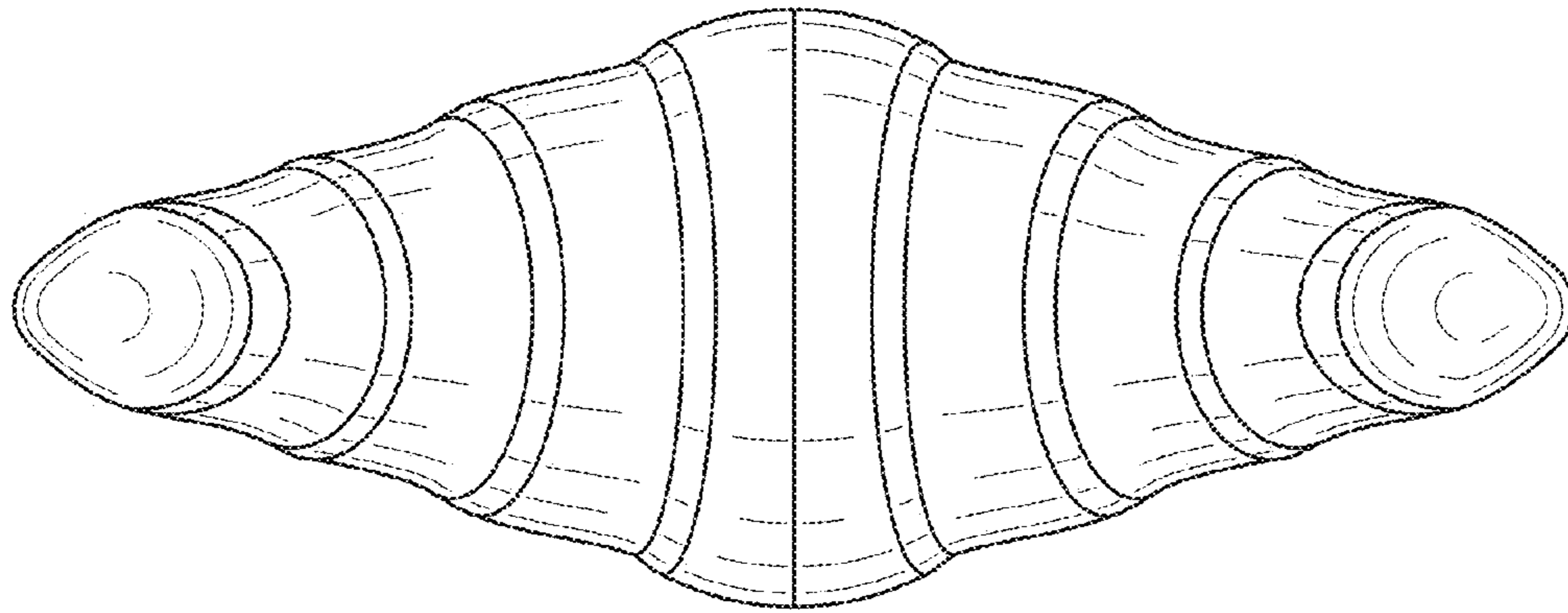


FIG. 7

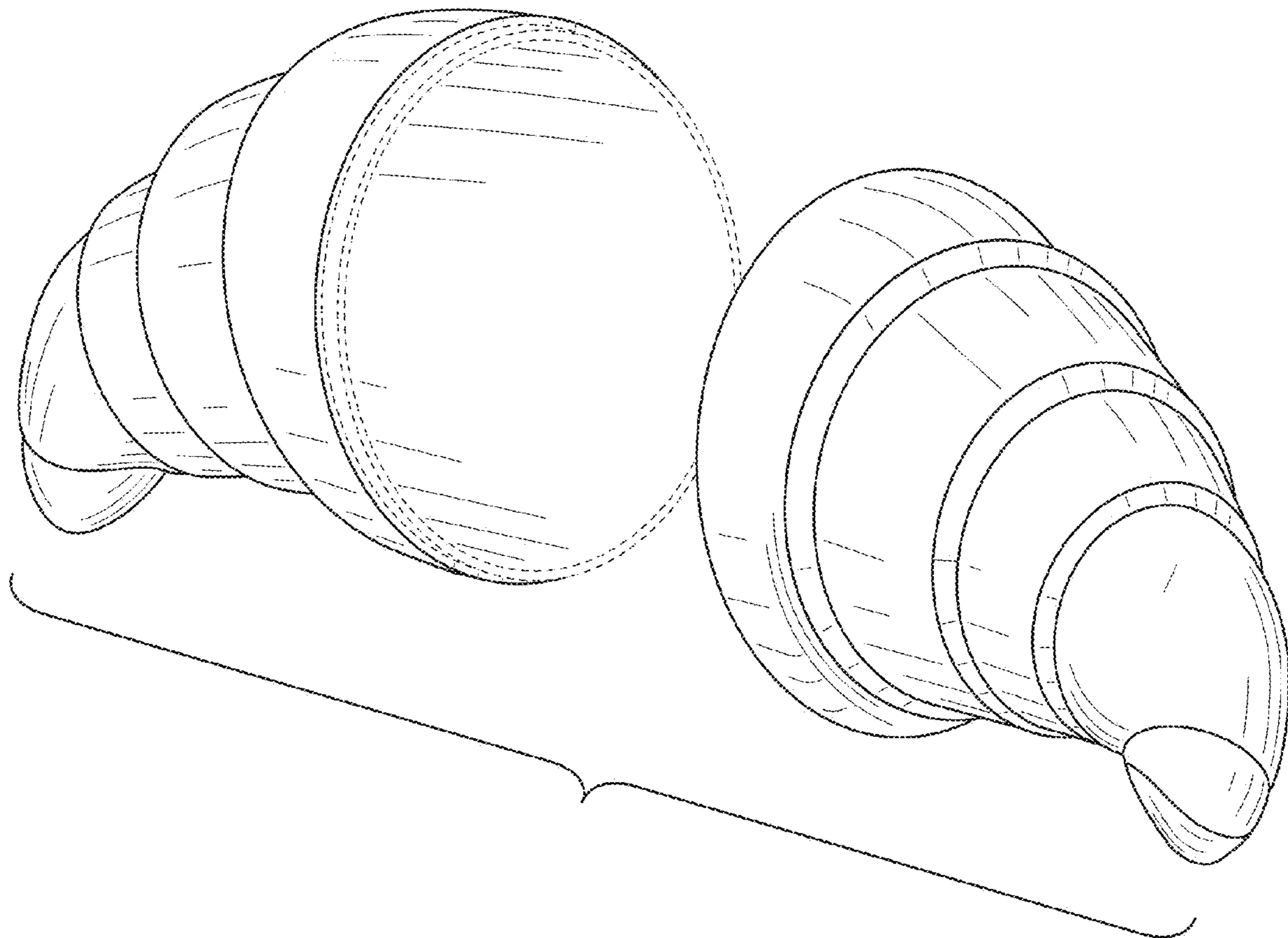


FIG. 8