



US00D976116S

(12) **United States Design Patent** (10) **Patent No.:** **US D976,116 S**
Bolt (45) **Date of Patent:** **** Jan. 24, 2023**

(54) **BOTTLE FOR STORING AND AGING BEVERAGES**

FOREIGN PATENT DOCUMENTS

WO WO2013/108055 A1 7/2013

(71) Applicant: **Revenge Rum LLC**, West Palm Beach, FL (US)

OTHER PUBLICATIONS

(72) Inventor: **Christopher C. Bolt**, West Palm Beach, FL (US)

Vintage amber brown glass Barrel Beer or root beer Bottle eBay. [Online] 2 pages. First available Apr. 27, 2022. Retrieved Jun. 1, 2022 from URL: <https://www.ebay.com/itm/175203482596?_trkparms=amclsrc%3DITM%26aid%3D1110018%26algo%3DHOMESPLICE.COMPLISTINGS%26ao%253%E2%80%A6> (Year: 2022).*

(73) Assignee: **Revenge Rum, LLC**, West Palm Beach, FL (US)

(Continued)

(**) Term: **15 Years**

Primary Examiner — Vy N Koenig

(21) Appl. No.: **29/736,467**

Assistant Examiner — Anastasia Longoria

(22) Filed: **May 30, 2020**

(74) *Attorney, Agent, or Firm* — Fox Rothschild LLP

(51) **LOC (14) Cl.** **09-01**

(57) **CLAIM**

(52) **U.S. Cl.**

The ornamental design for a bottle for storing and aging beverages, as shown and described.

USPC **D9/633**; D9/500; D9/502; D9/546

DESCRIPTION

(58) **Field of Classification Search**

USPC D9/600, 652, 679, 633, 505, 537–543, D9/544–547, 537–546; D21/483

CPC . C12H 1/22; B65D 9/04; B65D 37/00; B65D 77/00; B65D 97/00; B65D 81/3802; B65D 81/3813; B65D 81/3837; B65D 9/00; B65D 9/38; B65D 7/42; B65D 7/045; B65D 1/12; B65D 1/14; B65D 1/16; B65D 1/20; B65D 11/06; B65D 39/0041; C12G 3/07

See application file for complete search history.

FIG. 1 is a perspective view of a bottle for storing and aging beverages according to the present invention; FIG. 2 is a side view of a bottle for storing and aging beverages thereof; FIG. 3 is another side view of a bottle for storing and aging beverages thereof; FIG. 4 is another side view of a bottle for storing and aging beverages thereof; FIG. 5 is another side view of a bottle for storing and aging beverages thereof; FIG. 6 is a top view of a bottle for storing and aging beverages thereof; and, FIG. 7 is a bottom view of a bottle for storing and aging beverages thereof.

(56) **References Cited**

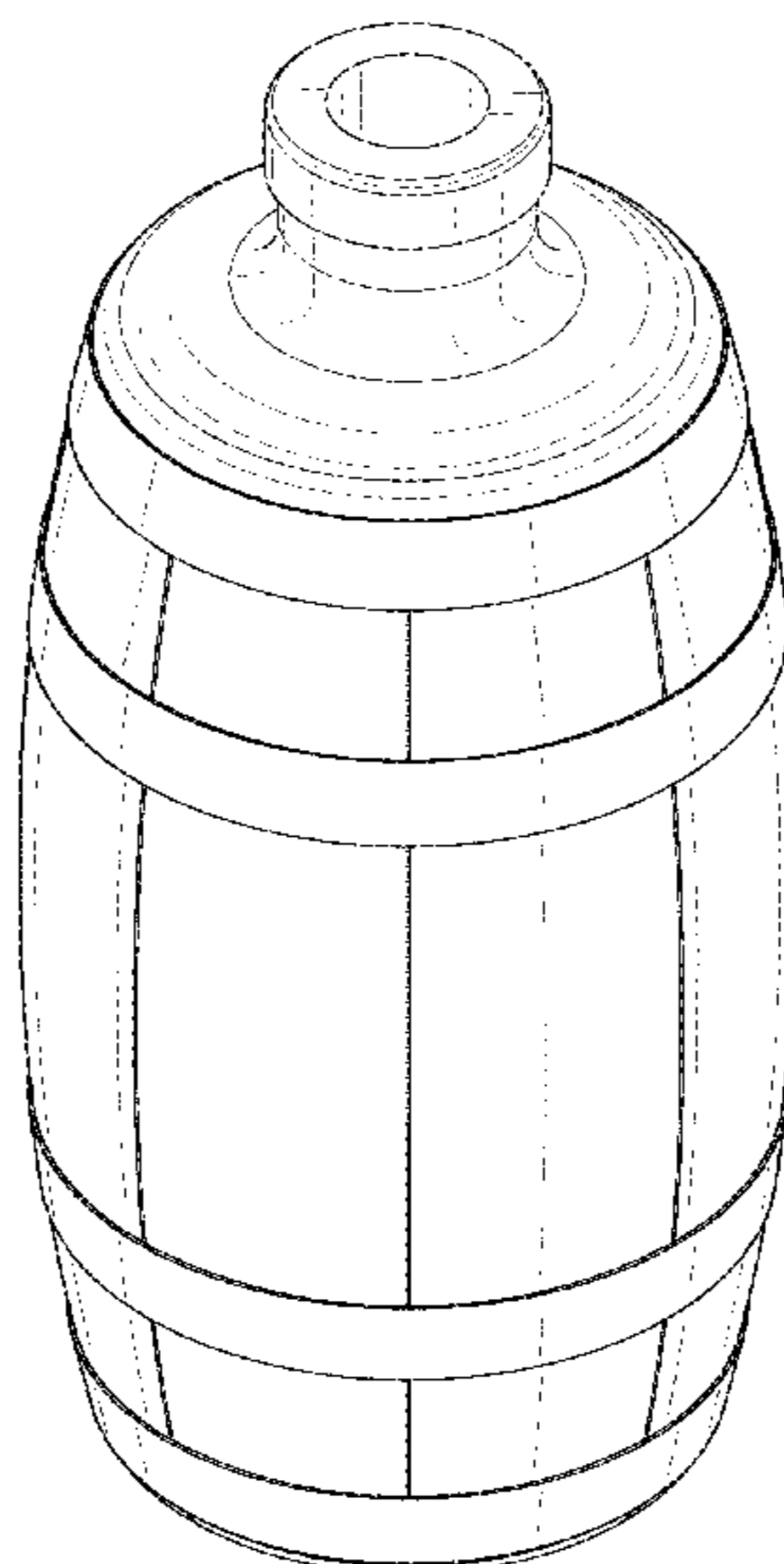
U.S. PATENT DOCUMENTS

175,178 A	3/1876	Shourds
670,993 A	4/1901	Matthes
1,256,152 A	2/1918	Maika
2,084,056 A	4/1935	Costello
D131,692 S	3/1942	Strahem
D133,946 S	9/1942	Cox

(Continued)

The surface shading and contour lines in the drawings is a drawing convention to represent character and contour; it does not illustrate material, surface ornamentations, or surface decoration and forms no part of the claimed design.

1 Claim, 6 Drawing Sheets



(56)

References Cited

U.S. PATENT DOCUMENTS

D219,504 S 12/1970 Terner
 D226,371 S 2/1973 Cooper
 D226,424 S 3/1973 Cooper
 D226,476 S 3/1973 Cooper
 D226,519 S 3/1973 Cooper
 D226,651 S 4/1973 Cooper
 D226,900 S 5/1973 Cooper
 D227,077 S 6/1973 Auditore
 D229,539 S 12/1973 Schweizer
 D232,074 S 7/1974 Cooper
 D232,075 S 7/1974 Cooper
 D236,087 S 7/1975 Gannett et al.
 D239,923 S * 5/1976 Lynd D9/633
 D245,148 S 7/1977 Strand
 D246,504 S 11/1977 Anger et al.
 5,156,283 A 10/1992 Sampson
 D542,980 S * 5/2007 Scarrott D30/102
 D586,228 S * 2/2009 McWillis D9/503
 D610,024 S * 2/2010 Lepoitevin D9/633
 D699,583 S 2/2014 Harris
 D721,281 S 1/2015 Vella
 D761,119 S 7/2016 Crystal et al.
 D783,405 S 4/2017 Thompson
 D817,182 S * 5/2018 Fleischhacker D9/633
 D821,211 S 6/2018 Thompson
 D843,842 S * 3/2019 Perez D9/633
 D852,636 S * 7/2019 Vella D9/633
 D896,034 S * 9/2020 Bellis D7/506
 D904,885 S * 12/2020 Bedford D9/633
 2009/0183638 A1 7/2009 Ganti

2014/0081580 A1* 3/2014 Kim G01N 33/0004
 702/24
 2016/0243599 A1* 8/2016 Albrecht B65D 71/0092
 2016/0326474 A1* 11/2016 McKale B65D 51/245
 2018/0162621 A1* 6/2018 Capitani C12H 1/14
 2018/0346855 A1* 12/2018 Davis C12H 1/18
 2019/0349216 A1* 11/2019 Mongrenier H04L 12/2825
 2020/0362287 A1* 11/2020 Bolt C12H 1/22
 2022/0055787 A1* 2/2022 McKale B65D 43/022

OTHER PUBLICATIONS

Amazon Orca BAR12OWG Whiskey Oak Grain Barrel. [Online] 7 pages. Published on: Feb. 4, 2021. Retrieved Jun. 1, 2022 from URL: <https://www.amazon.com/ORCA-BAR12OWG-Whiskey-Grain-Barrel/dp/B08VWK4TK6/ref=asc_df_B08VWK4TK6/?tag=hyprod-20&linkCode=df0&hv%20%E2%80%A6> (Year: 2021).*

Antique 1860s-1890s Halls Bitters Embossed Amber Barrel Bottle eBay. [Online] 5 pages. First available 1842. Retrieved Jun. 1, 2022 from URL: <<https://www.ebay.com/itm/403685953084?hash=item5dfd8ece3c:g:IVAAAOSwtNpiknD->>> (Year: 1842).*

Amazon Thousand Oaks Barrel Co. American White Oak 5 Liter Barrel for Home Brewer. [Online] 12 pages. Published on: May 16, 2016. Retrieved Jun. 1, 2022 from URL: <https://www.amazon.com/dp/B01G4BDSO8/ref=sspa_dk_detail_4?pd_rd_j=B01G4BDSO8&pd_rd_w=mkWql&content-id=amzn1.sym.3be1c5b9-5b4%E2%80%A6> (Year: 2016).*

Web Article: "Wooden flask quickly adds oak flavor" Journal Sentinel, Sep. 18, 2018, 4 pages <http://archive.jsonline.com/features/Drinks/wooden-flask-quickly-adds-oak-flavor-b99581797z1-330272981.html>.

* cited by examiner

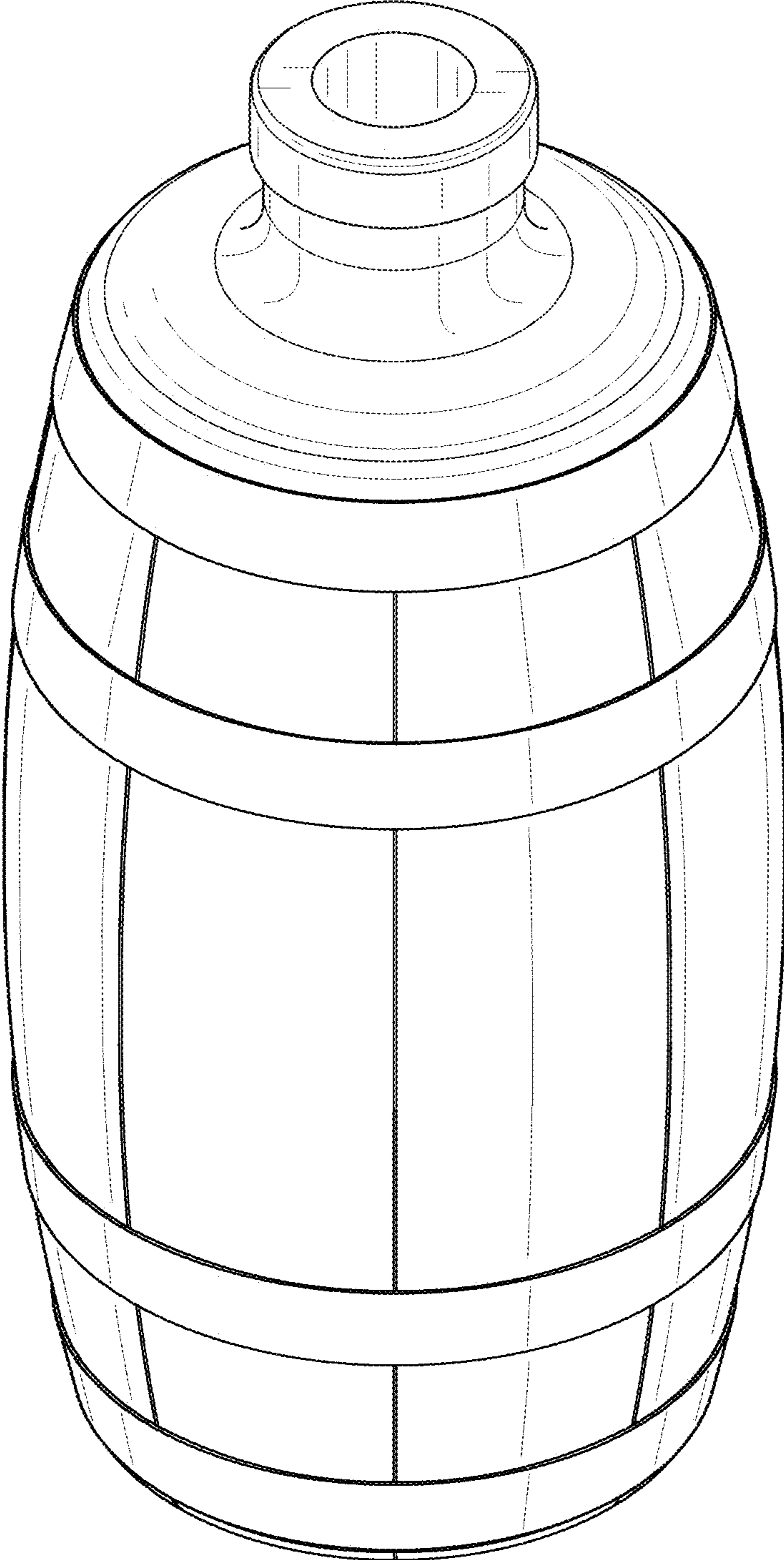


FIG. 1

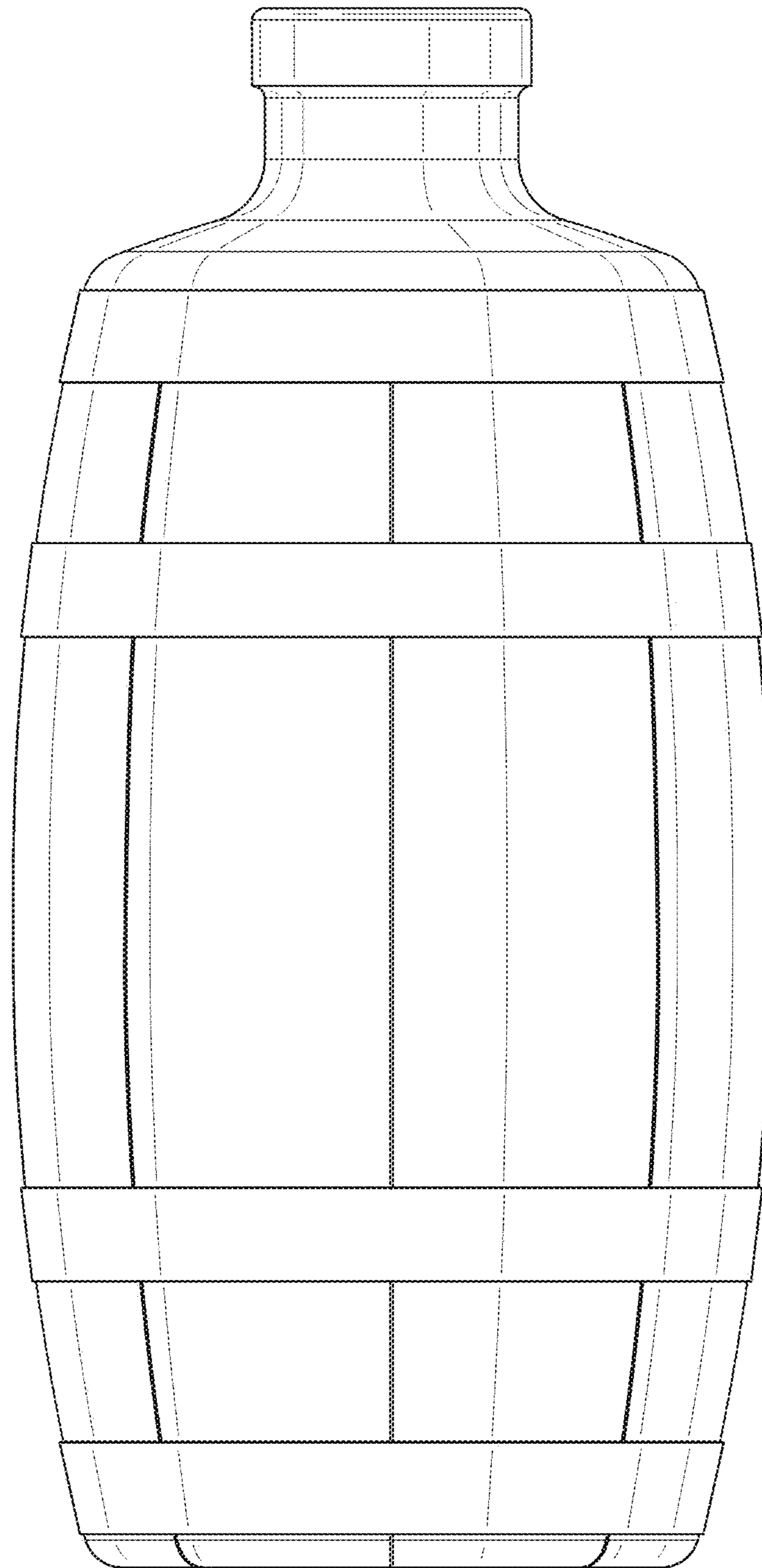


FIG. 2

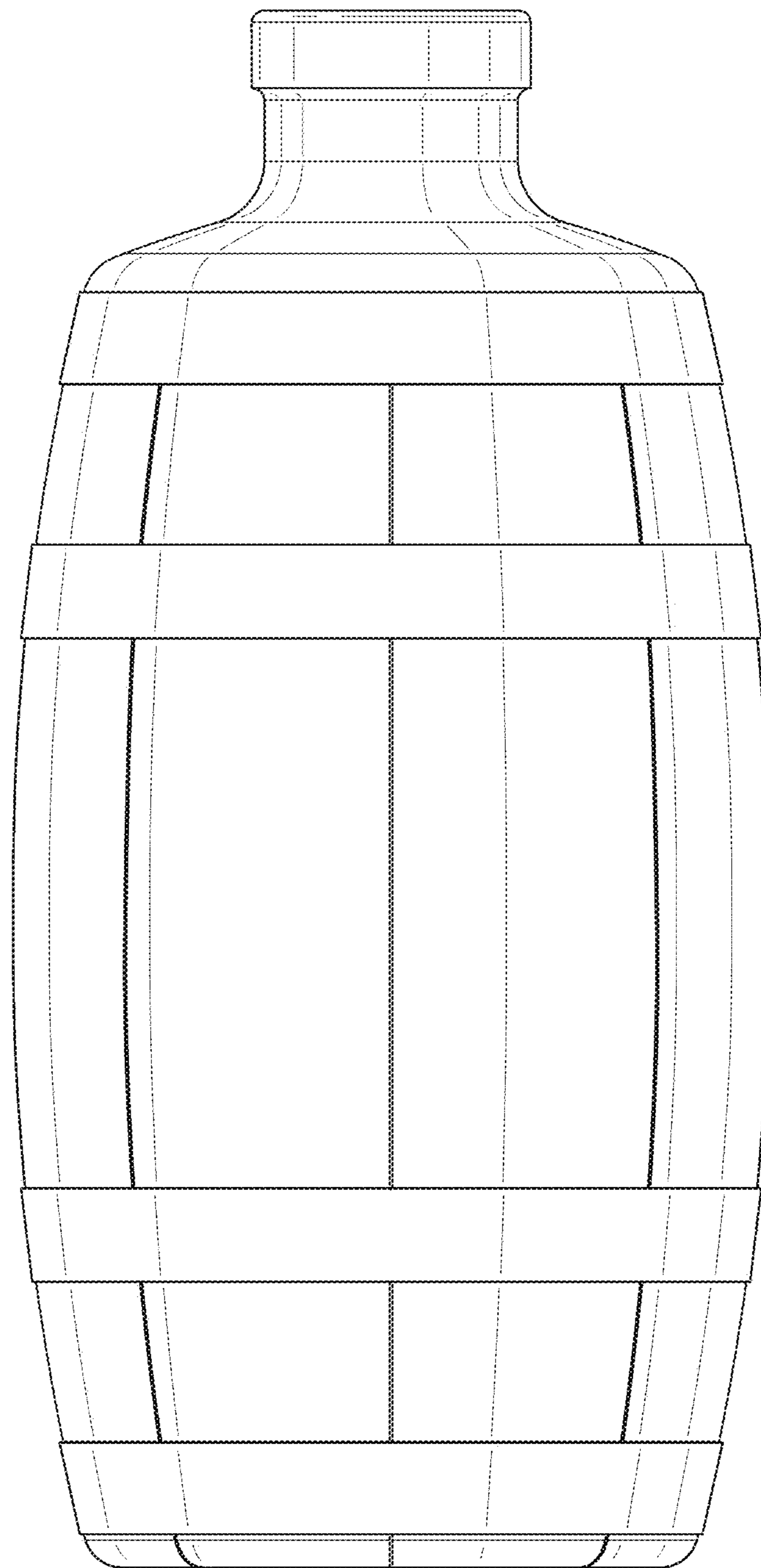


FIG. 3

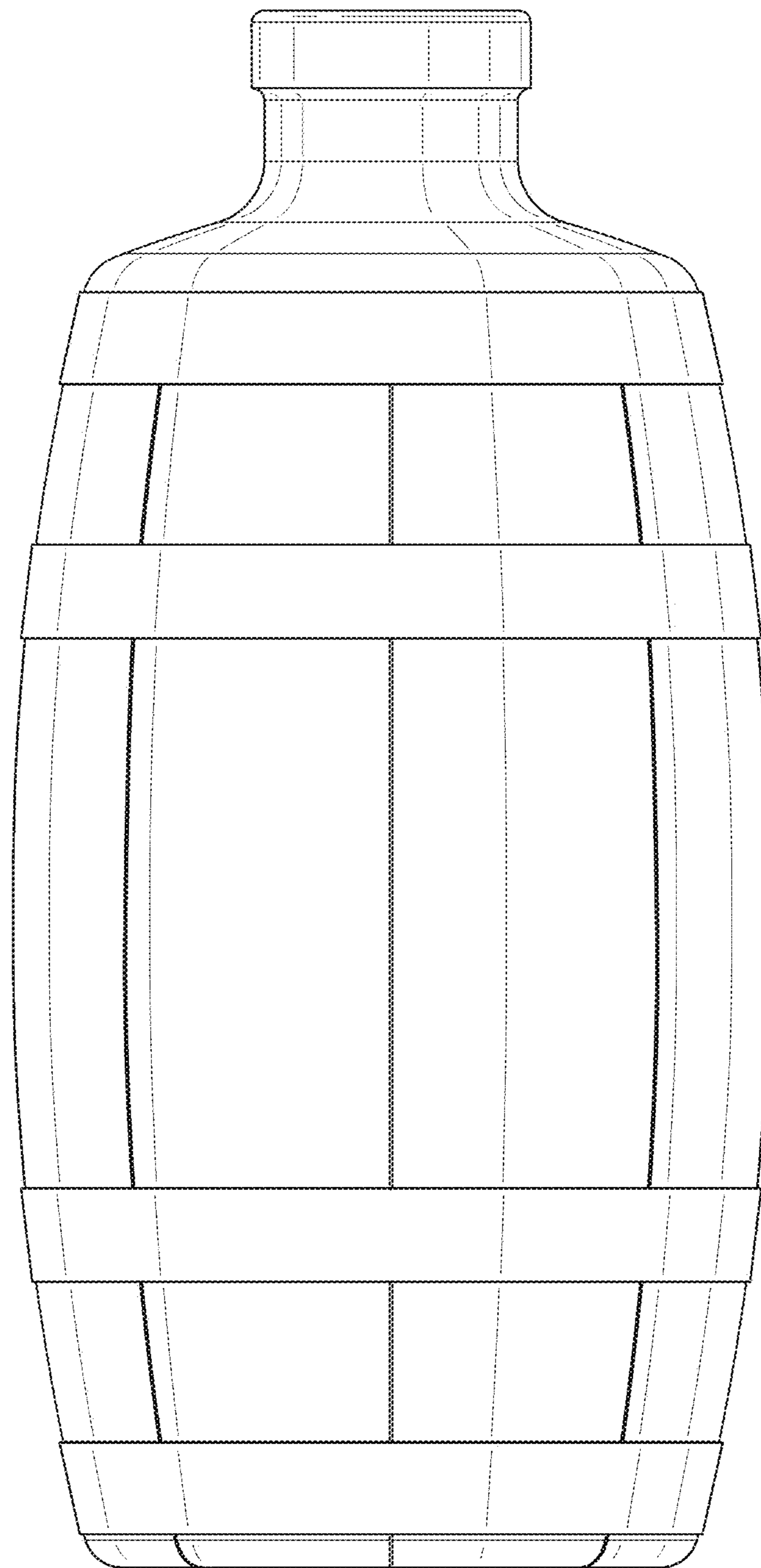


FIG. 4

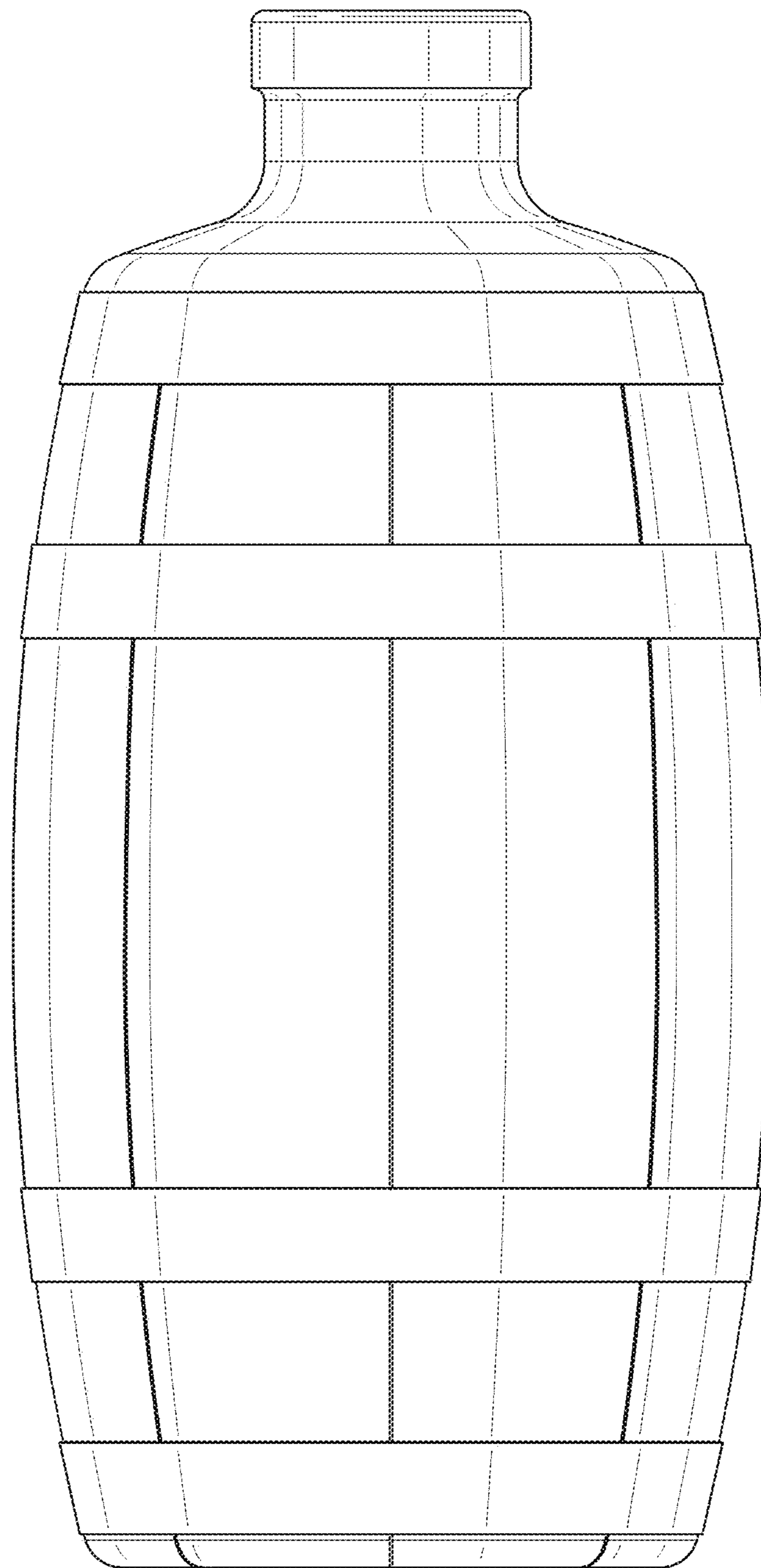


FIG. 5

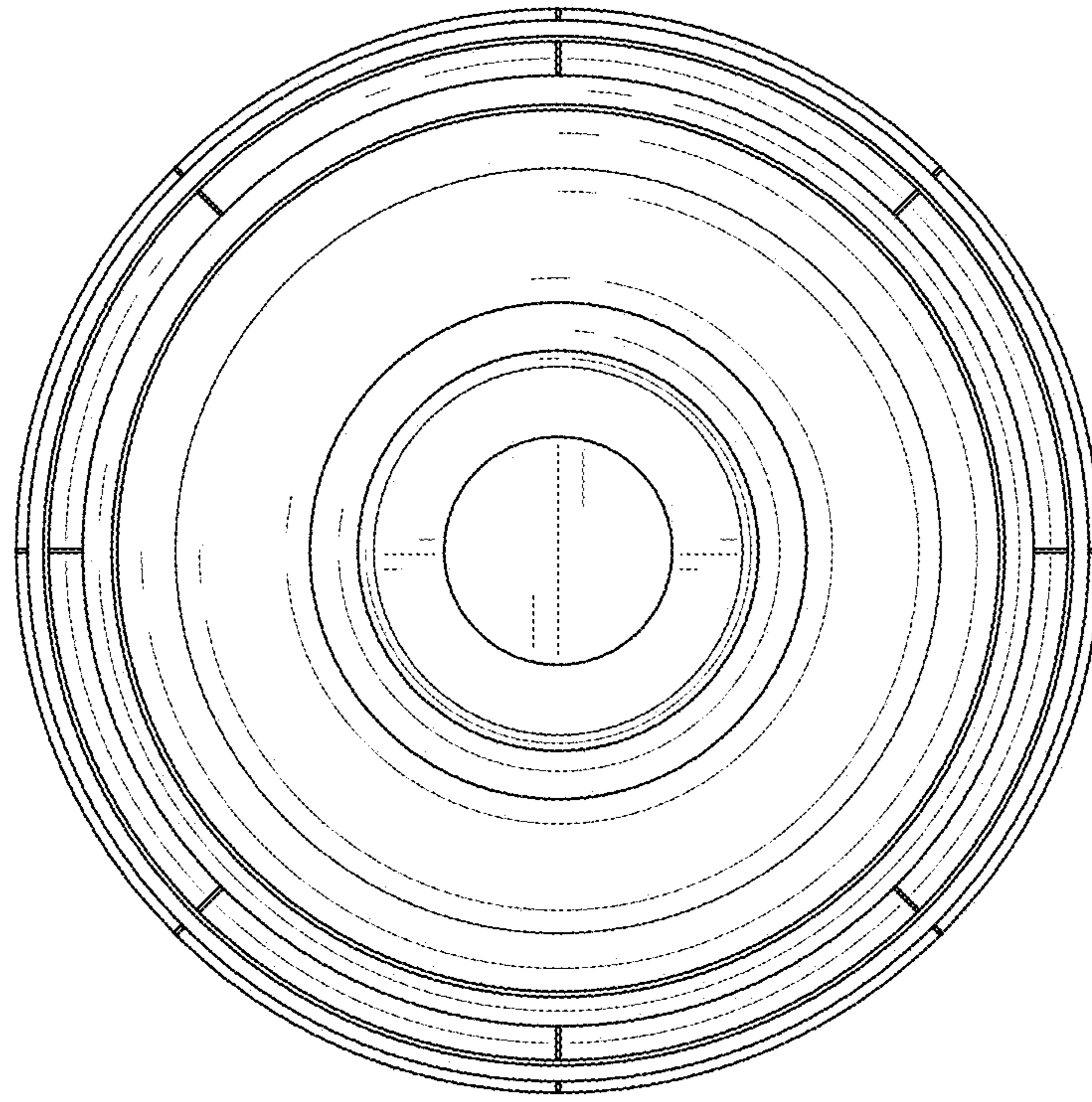


FIG. 6

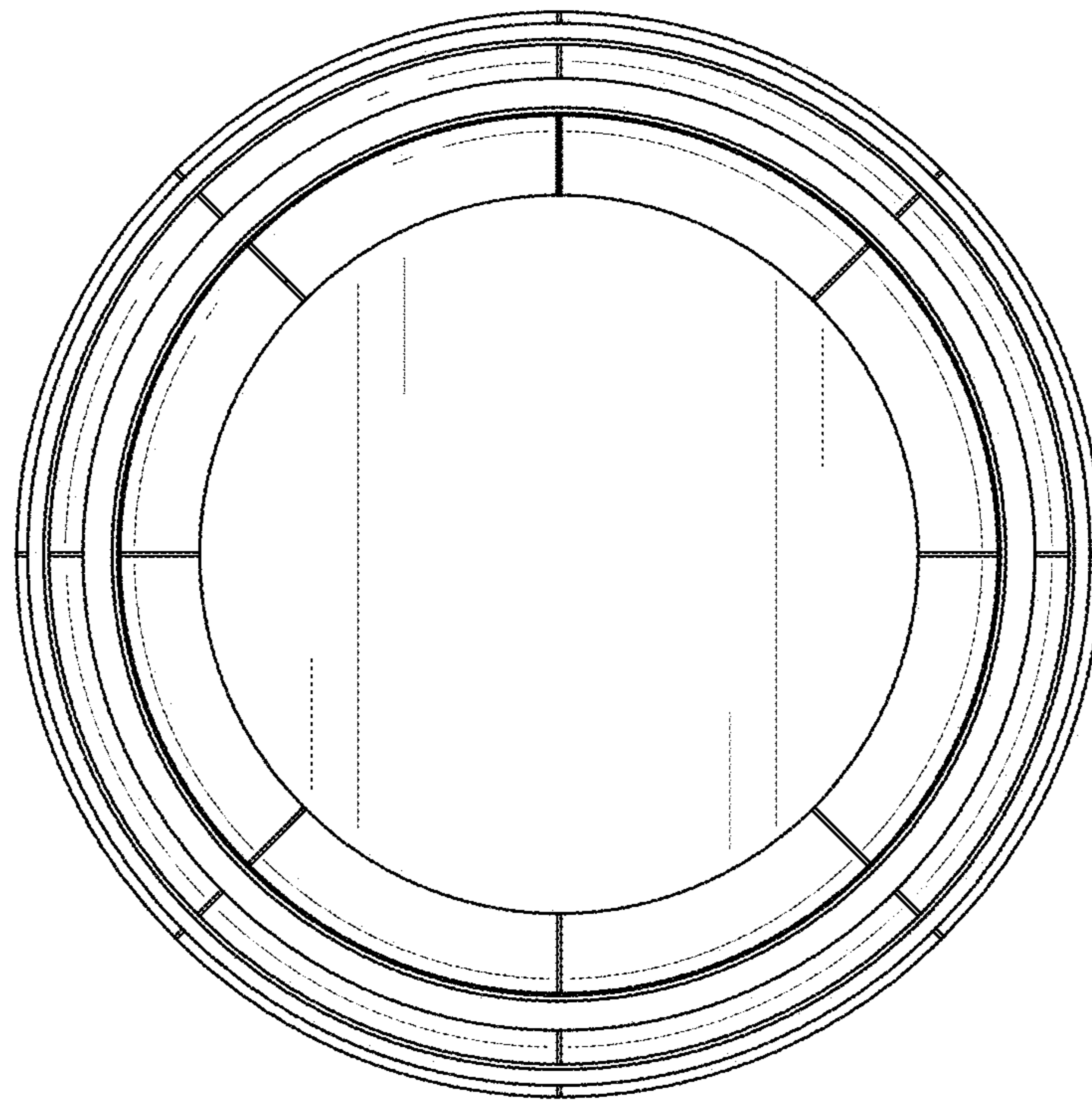


FIG. 7